

Insulation kit for high humidity INSTALLATION MANUAL

For authorized service personnel only.

UTZ-KXRA

Note: Before installation, please check the shape of the main product as shown in this manual, so that appropriate parts and accessories are used.

⚠ WARNING

When installing the Insulation kit for high humidity, please read this manual thoroughly.

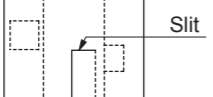
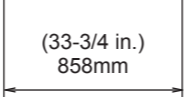
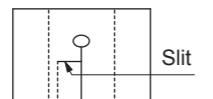

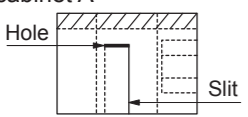
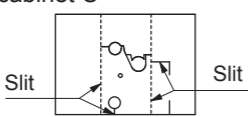

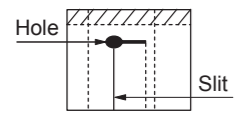
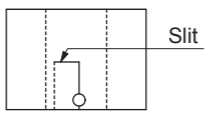

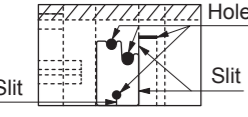
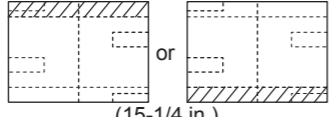
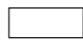
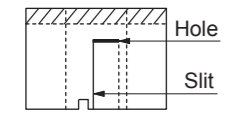

Before installation, be sure that all sources of power have been shut off. There is a danger of electric shock.

When installing the Insulation kit for high humidity, please refer to the operating manual and installation manual supplied with the indoor unit.

Parts and accessories

The following installation parts are furnished. Use them as required.

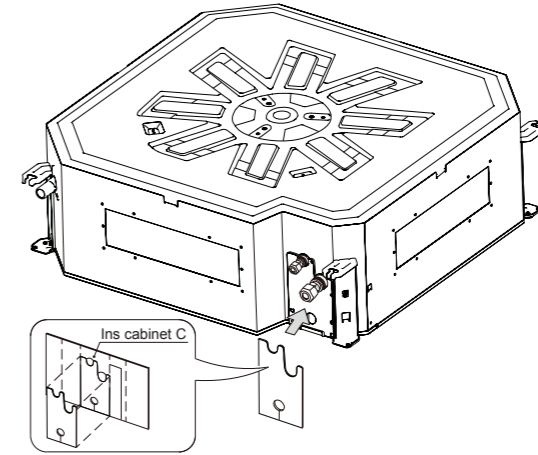
When applying to indoor units shorter than the insulation parts, cut the shaded portion of Ins cabinet A to E as follows.

| Name and Shape | Q'ty | Name and Shape | Q'ty | Name and Shape | Q'ty |
|------------------------------------------------------------------------------------------------------|------|-------------------------------------------------------------------------------------------------------------------------------|------|-------------------------------------------------------------------------------------------------------------|------|
| Installation manual (This manual) | 1 | Ins cabinet A  | 1* | Ins top plate B  | 2 |
| Installation manual | 1* | Ins cabinet B  | 1* | Ins top plate C  | 1 |
| Ins cabinet A  | 1 | Ins cabinet C  | 1* | Ins hook  | 4 |
| Ins cabinet B  | 1 | Ins cabinet D  | 1* | Ins hook  | 4* |
| Ins cabinet C  | 1 | Ins cabinet E  (15-1/4 in.) 388mm | 4 | Insulation panel B  | 2* |
| Ins cabinet D  | 1 | Ins top plate A  | 1 | | |

* Not used with this model. (Parts for this model are marked with white letters.)

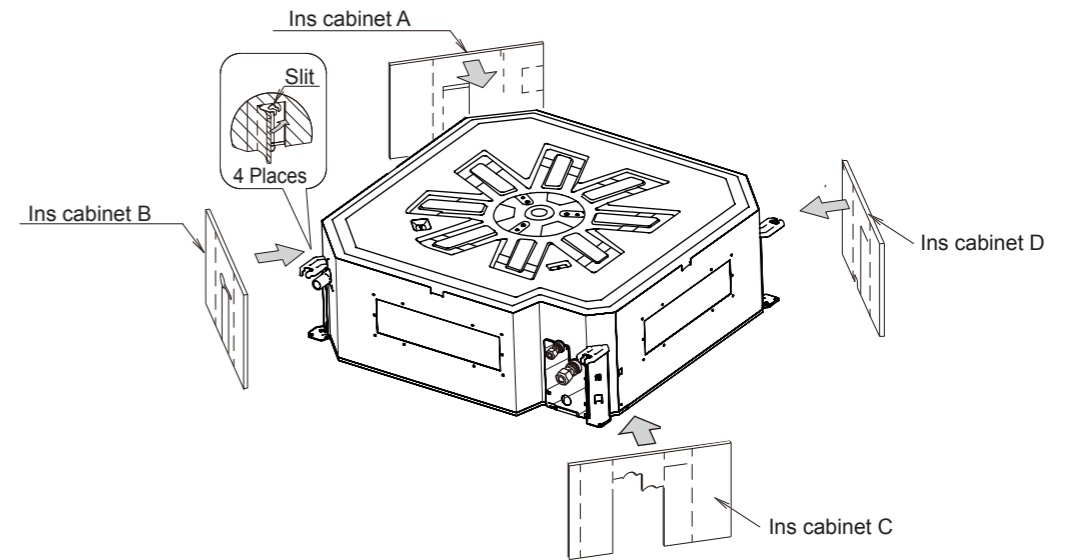
1

Attach the Ins cabinet C onto the outside of the indoor unit.



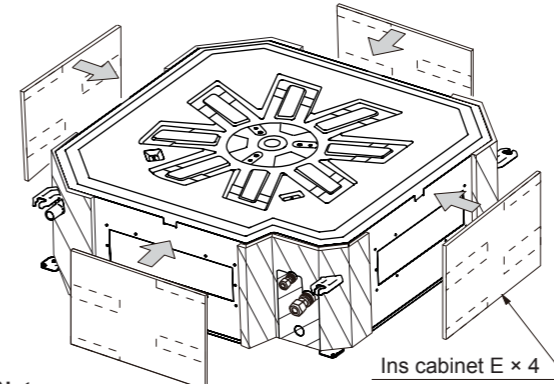
2

Align the slits of Ins cabinet A, B, C and D to the related hooks, and then attach onto the outside of the indoor unit.



3

Attach the Ins cabinet E onto the outside of the indoor unit. At this time, make sure that there is no gap among the surrounding heat insulator.

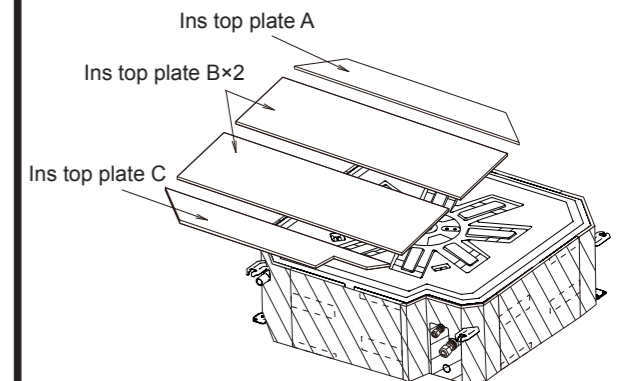


Note:

When using the Distribution duct connecting port and Fresh air inlet, please cut the insulation to fit the duct used (locally purchased).

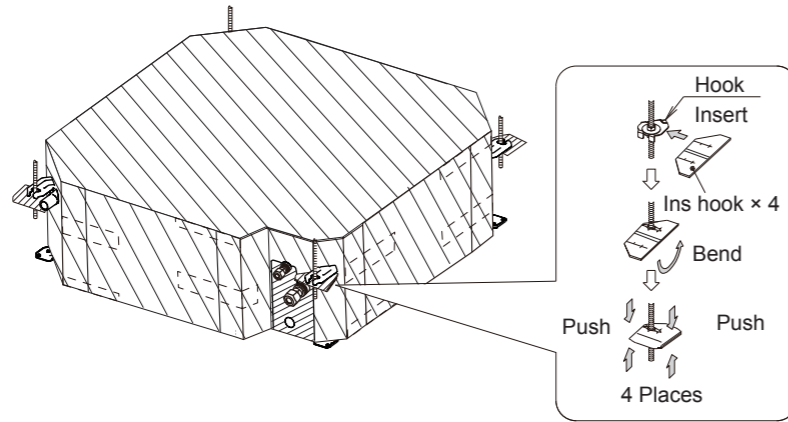
4

Attach the Ins top plate A, B, and C without any gap.



5

After fixing the indoor unit, attach the Ins hook to the hook (4 places).



6

Remove the insulation (3 places) on the indoor unit. After the PCB box and cable tie with clip is installed, replace the insulation (2 places) over the PCB box.

*For detailed information on installation, refer to the installation manual of the External input and output PCB box. When installing the External input and output PCB box (option).

