

**AIR CONDITIONER
OPTIONAL PARTS
External connect kit**



INSTALLATION MANUAL

For authorized service personnel only.

Supplemental Manual

OPTIONAL KIT INSTALLATION

This air conditioner can be connected with the following optional kits.

- Wired remote controller
- Simple remote controller
- External connect kit

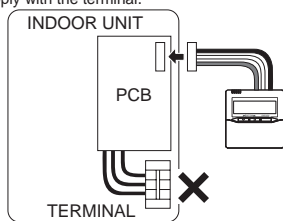
Before installing wired remote controller

- When you use wired remote controller, some functions may not be used.

CAUTION

- Before installing, be sure to disconnect all power supply.
- Don't touch the heat exchanger.
- During installing or removing operation, be sure not to have wire caught by parts or draw it hard. Or it may result troubles to the air-conditioner.
- Avoid place in direct sunlight.
- Select place that will not be affected by the heat from a stove, etc
- Before setting up the optional kit, please confirm whether air-conditioner can receive the signal.
- Do not connect the wired remote controller to the terminal for power supply.
- When connecting the wired remote controller with the indoor unit, use the connecting cable (supplied with wired remote controller or simple remote controller).
- Recommended cable length of wired remote controller is 32 ft. (10 m). Make sure to do insulate of connecting part when extended the cable.





Do not connect power supply with the terminal.



INSTALLATION WORK

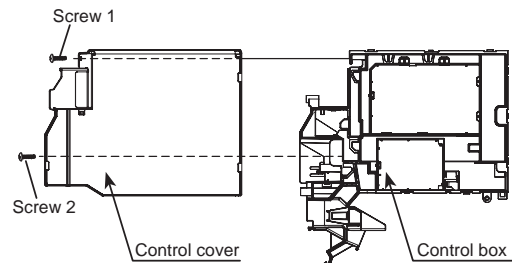
Accessories (Communication kit)

The following installation accessories are supplied. Use them as required.

Name and Shape	Q'ty	Description
	1	For connecting the wired remote control unit and external connect wire.
	1	For fixing the wires from control box.
	1	For connecting the relay control board and control unit board.
	1	For displaying the additional wiring diagram.

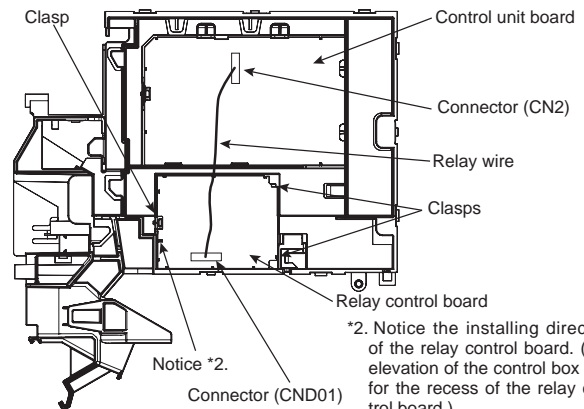
Installation work

Removing control cover



Remove the screw 1 and 2, then remove the control cover.

Installing relay control board and relay wire terminal



- (1) Insert the relay control board toward 2 clasps.
- (2) Then set the board with the clasp.
- (3) Connect the relay wire terminal to the connector (CND01) on the relay control board.
- (4) Connect the relay wire terminal to the connector (CN2) on the control unit board.

CAUTION

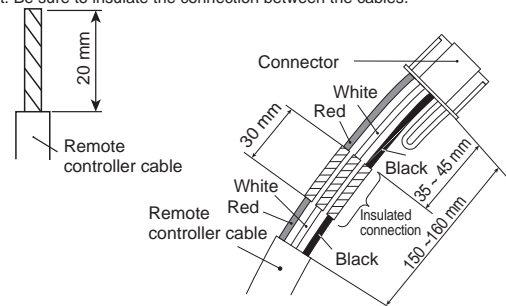
Be careful not to damage the parts on the board. Otherwise, it will cause malfunction.

Installing optional kits

Remote controller cable modification

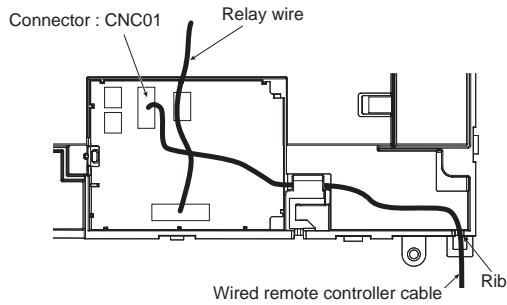
- (1) Use a tool to cut off the terminal on the end of the remote controller cable, and then remove the insulation from the cut end of the cable.
- (2) Connect the remote controller cable and connecting cable. (Supplied with wired remote controller.)

Important: Be sure to insulate the connection between the cables.



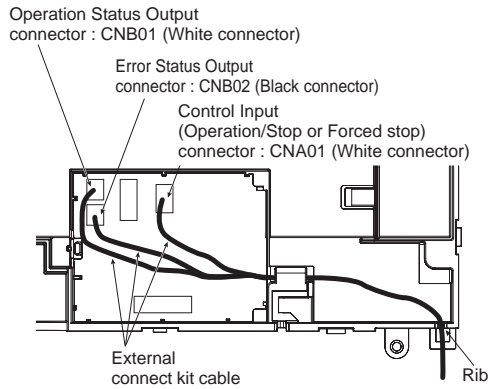
Installing the wired remote controller terminal (sold separately)

Connect the wired remote controller terminal to the connector (CNC01) on the relay control board.



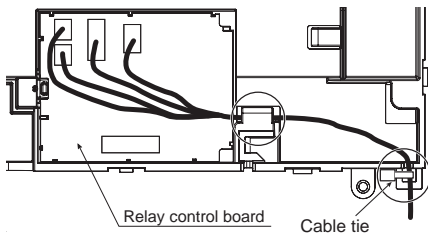
Installing the external connect kit terminal (sold separately)

Connect the wire of external input/output to the board of external connect kit.
(EXTERNAL INPUT CONNECT TO NO. CNA01
(EXTERNAL OUTPUT CONNECT TO NO. CNB01, CNB02)



Fixing the wires

After connecting the terminals, thread the wires through the clasp and rib of the control box as circled in the figure below.
Then fix the wires onto the control box with the provided cable tie.



Installing the control cover

- (1) Attach the control cover.
- (2) Attach the 2 screws.

Labeling

Paste the wiring label beside the label for schematic diagram inside the front panel.