



# Thermo - Rite®

1355 EVANS AVENUE  
AKRON, OHIO 44305  
PHONE (330) 633-8680  
FAX (330) 633-8701  
WWW.THERMO-RITE.COM

## **OWNER'S MANUAL & INSTALLATION GUIDE**

### **For Cameo, Celebrity, Chalet, Classic, Décor, Heritage, Laser, Normandy, Beauregard, Contour, Highlander, and Reserve Doors.**

#### **NEW FIREPLACES:**

Acids and other chemicals used to clean masonry when new fireplace are built will emit gases that can corrode your enclosure's metal surfaces. These fumes are highly caustic and must be neutralized. To neutralize, wash new masonry with a mild solution of ammonia and water. Rinse thoroughly with water until ammonia is removed. Thermo-Rite assumes no responsibility for these acid damages.

#### **MORTARING-IN A GLASS ENCLOSURE:**

Thermo-Rite assumes no responsibility for discoloration if mortar is used in direct contact with a Thermo-Rite enclosure. Certain types of mortar will have an effect on our solid brass and brass plated finish.

#### **HOW TO OPERATE YOUR GLASS ENCLOSURE:**

For best results, start a small fire that will allow the tempered glass to heat gradually. Leave the doors open slightly during the early stages of the fire to help them warm slowly. The fire should be kept at least 6" to 8" from the glass doors. Close the doors when they are warm.

In general, when burning Gas Logs with High BTU Rating (60,000+) with doors closed, irregular flame patterns will result. This situation could cause glass breakage and/or discoloration of the glass door metals. If this happens, we recommend that you burn with the doors open. **Always close curtain mesh when burning with doors open.**

**WARNING: NEVER USE GASOLINE, GASOLINE-TYPE LANTERN FUEL, KEROSENE, CHARCOAL LIGHTER FLUID, OR SIMILAR LIQUIDS TO START OR "FRESHEN UP" A FIRE. KEEP ALL SUCH LIQUIDS WELL AWAY FROM THE FIREPLACE WHILE IT IS IN USE.**

#### **HOW TO BUILD A FIRE:**

A properly built fire will help maximize heat output from your fireplace. For best results, use a sturdy grate or wood basket; place it against the back wall of your fireplace. Use at least three logs.

Follow these instructions for a quick-starting fire:

1. Prepare some kindling (split wood into pieces 1/4" to 2" in diameter). Also select pieces 8" to 10" in diameter (normal fireplace-sized pieces).
2. Crumple several sheets of newspaper tightly and place on top of the grate.
3. Place all of the kindling on top of the newspaper (crisscross fashion).
4. Lay one or more crumpled sheets of newspaper on top of the wood inside the fireplace and light (before lighting, be sure the flue damper is open).
5. After kindling and larger pieces of wood have ignited and are burning, add the normal fireplace-sized pieces of wood. Place wood in fire so air can circulate between the pieces, yet keep pieces as close together as possible.
6. Close the curtain mesh while fire is burning to prevent sparks or hot coals from escaping. If you wish to close the glass doors, do so only after the doors are warmed up. Do not close doors if fire becomes too large. The flames should be kept about 6" to 8" from the glass.

Avoid building a fire too large or hot. Should a fire become too large or hot, open the enclosure's draft all the way and open both glass doors. For extreme cases, a light spray of water directly on the fire will quickly reduce its size and temperature. Use a poker and push the wood to the back of the fireplace.

**WARNING: NEVER ALLOW ANY COLD OBJECTS OR WATER TO COME IN CONTACT WITH THE GLASS IN THE DOORS WHEN HOT – BREAKAGE MAY OCCUR.**

#### **CLEANING INSTRUCTIONS:**

Clean the glass when it is cool with recognized glass cleaner or diluted ammonia. Clean metal finish with a soft damp cloth and dry with a soft cloth. Do not attempt to buff or polish the finish or use paint solvents. The metal is coated with clear, baked lacquer to prevent tarnishing.

**NOTE:** See-thru fireplaces must use a glass enclosure on both opening sides for the glass enclosure to be functional. Doors on both sides must be either opened or closed while burning a fire or the resulting unequal draft conditions may send the flames and heat directly against the back of the closed enclosure.

**CAUTION: THIS ENCLOSURE SHOULD NOT BE INSTALLED ON A PREFABRICATED METAL (NON-MASONRY) FIREPLACE WITHOUT FIRST CONSULTING YOUR LOCAL FIRE CODE INSPECTOR AND THE MANUFACTURER OF THE PREFABRICATED METAL FIREPLACE.**

## **PLEASE READ CAREFULLY BEFORE BEGINNING INSTALLATION**

**If the enclosure is plastic wrapped, place the enclosure against the fireplace opening to ensure you have ordered the correct size frame before removing the plastic wrap.**

## **Enclosure Frame Installation**

**Important: The optional Mesh Curtain must be installed to the frame before proceeding with the frame installation. See the installation instructions that come with the mesh curtain. The optional Mesh Doors are to be installed *after* frame installation, but before glass door installation.**

**Note:** It is important that the enclosure frame is installed right-side-up. If it is not obvious which end of the enclosure is the top or bottom, then this can be determined based on the door style of the enclosure. If the door style is CV2, the bottom of the enclosure frame can be identified by the center wedge clip.

### **REVERE:**

**HARDWARE INCLUDES: Four (4) “Z” Mounting Brackets, two (2) “L” Mounting Brackets (Park Avenue ONLY), and four (4) ¼” Anchor Bolts and three (3) strips of Fiberglass insulation.**

**TOOLS NEEDED: #2 Phillips Screwdriver, 3/8” Wrench or Ratchet, Electric Drill, ¼” Masonry Drill Bit and Hammer.**

1. Attach the four (4) “Z” Mounting Brackets to the enclosure frame as shown in Figure 1. The “Z” Mounting Brackets shown are attached with the bend inward, but can be flipped so that the bend is outward if required. Note that the Phillips Screws must first be removed. If necessary, the “Z” Mounting Brackets can be flattened with a hammer, and different bends can be made. **CAUTION: BE SURE THAT THE WRENCH DOES NOT SLIP OFF OF THE 3/8” NUT AS IT MAY DENT THE ENCLOSURE FRAME.**
2. Place the fiberglass strips inside the side panels and top bar.
3. Center the enclosure with the installed “Z” Brackets against the fireplace opening. Make sure that the “Z” Mounting Brackets are flat against the fireplace walls. It may be necessary to straighten the “Z” Mounting Brackets against the fireplace walls lightly with a hammer.
4. Drill a hole using a ¼” masonry drill bit through each “Z” Mounting Bracket approximately 1 ½” deep into the firebrick.
5. Insert the four (4) Anchor Bolts into the 1 ½” holes. Attach the “Z” Mounting Brackets to the Anchor Bolts and tighten.

### **AIR PRISM, CAMEO, CELEBRITY, CLASSIC, DÉCOR, LASER AND PRISM:**

**HARDWARE INCLUDES: Four (4) “L” Mounting Brackets, four (4) ¼” Anchor Bolts and three (3) strips of Fiberglass insulation (Insulation used only on the Décor and Tradition.)**

**TOOLS NEEDED: #2 Phillips Screwdriver, Electric Drill, ¼” Masonry Drill Bit and Hammer.**

1. Attach the four (4) “L” Mounting Brackets to the enclosure frame as shown in Figure 2. Note that the Phillips Screws must first be removed. If necessary, the “L” Mounting Brackets can be flattened with a hammer, and different bends can be made.
2. Center the enclosure with the installed “L” Brackets against the fireplace opening. Make sure that the “L” Mounting Brackets are flat against the fireplace walls. It may be necessary to straighten the “L” Mounting Brackets against the fireplace walls lightly with a hammer.
3. Drill a hole using a ¼” masonry drill bit through the center slot of each Mounting Bracket approximately 1 ½” deep into the firebrick.
4. Insert the four (4) Anchor Bolts into the 1 ½” holes. Attach the “L” Mounting Brackets to the Anchor Bolts and tighten.
5. Place the fiberglass strips inside the side panels and top bar.

### **HERITAGE AND NORMANDY (Pressure Fit):**

**HARDWARE INCLUDES: Four (4) ¼ -20 X 1- ¼” Set-Screws**

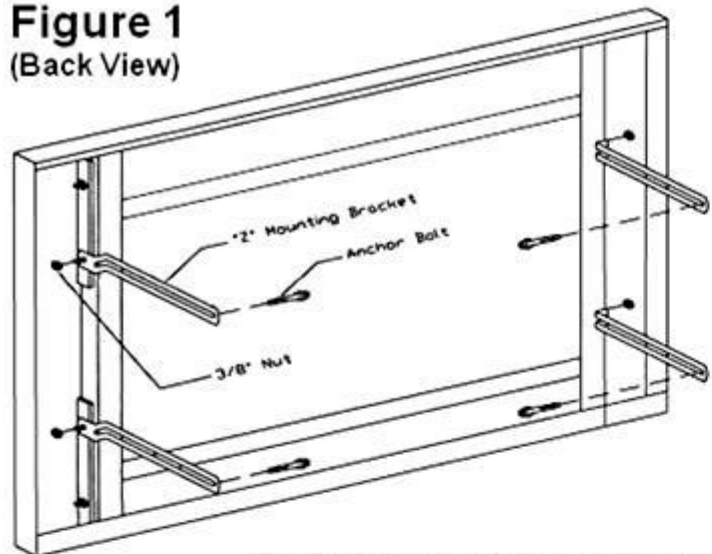
**TOOLS NEEDED: ¼” Wrench**

1. Center enclosure against the fireplace opening.
2. Insert the Set-Screws into the Tinnerman Nuts, see Figure 3, Back View for Normandy. Tighten the Set-Screws using a ¼” Wrench until frame is secure.

Note: If pressure fit does not work for your fireplace, an optional side mounting kit is available. It includes four (4) straight mounting brackets and anchor bits. To order, contact your dealer and ask for Hardware Kit number 10739.

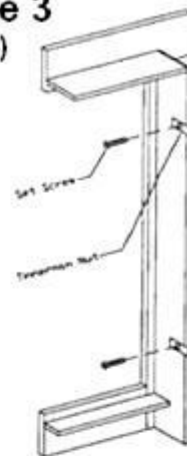
**GLASS DOOR INSTALLATION: For CV2 door installation (doors glide in a track), see Page 4 of these instructions.**

**Figure 1**  
(Back View)



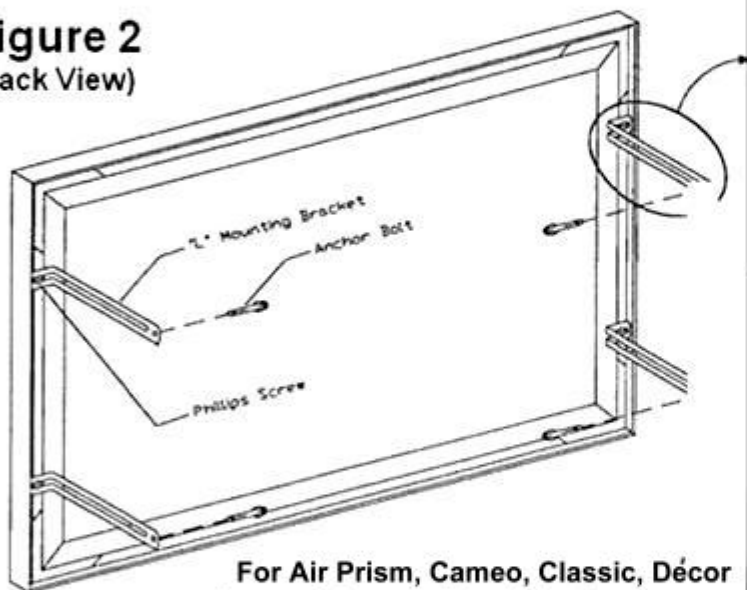
For Park Avenue & Revere Enclosures

**Figure 3**  
(Back View, Right Side)



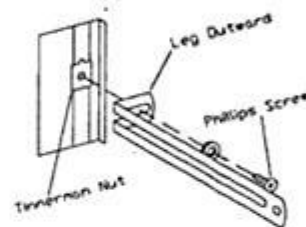
For Heritage Enclosure

**Figure 2**  
(Back View)

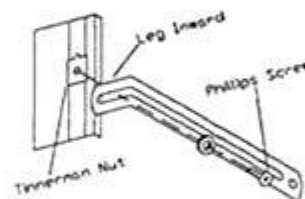


For Air Prism, Cameo, Classic, Décor Laser, Prism and Tradition Enclosures

Overlap Fit

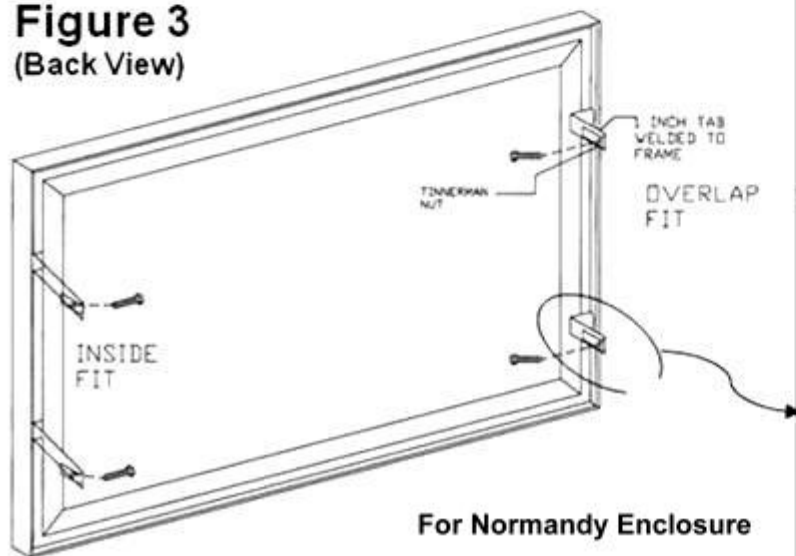


Inside Fit



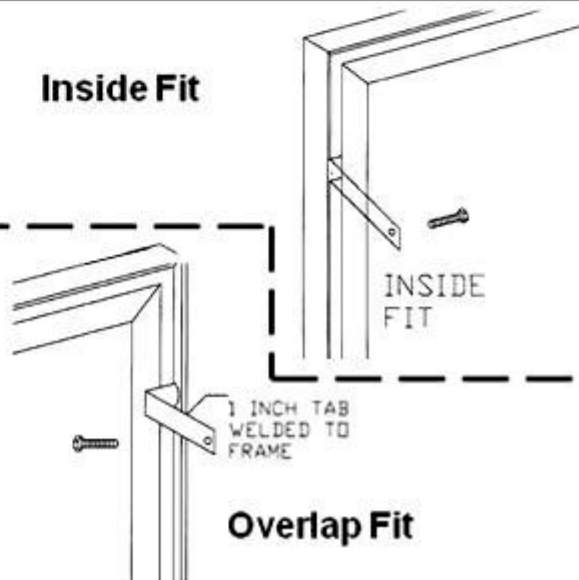
**Figure 2a**  
"L" Bracket Installation

**Figure 3**  
(Back View)



For Normandy Enclosure

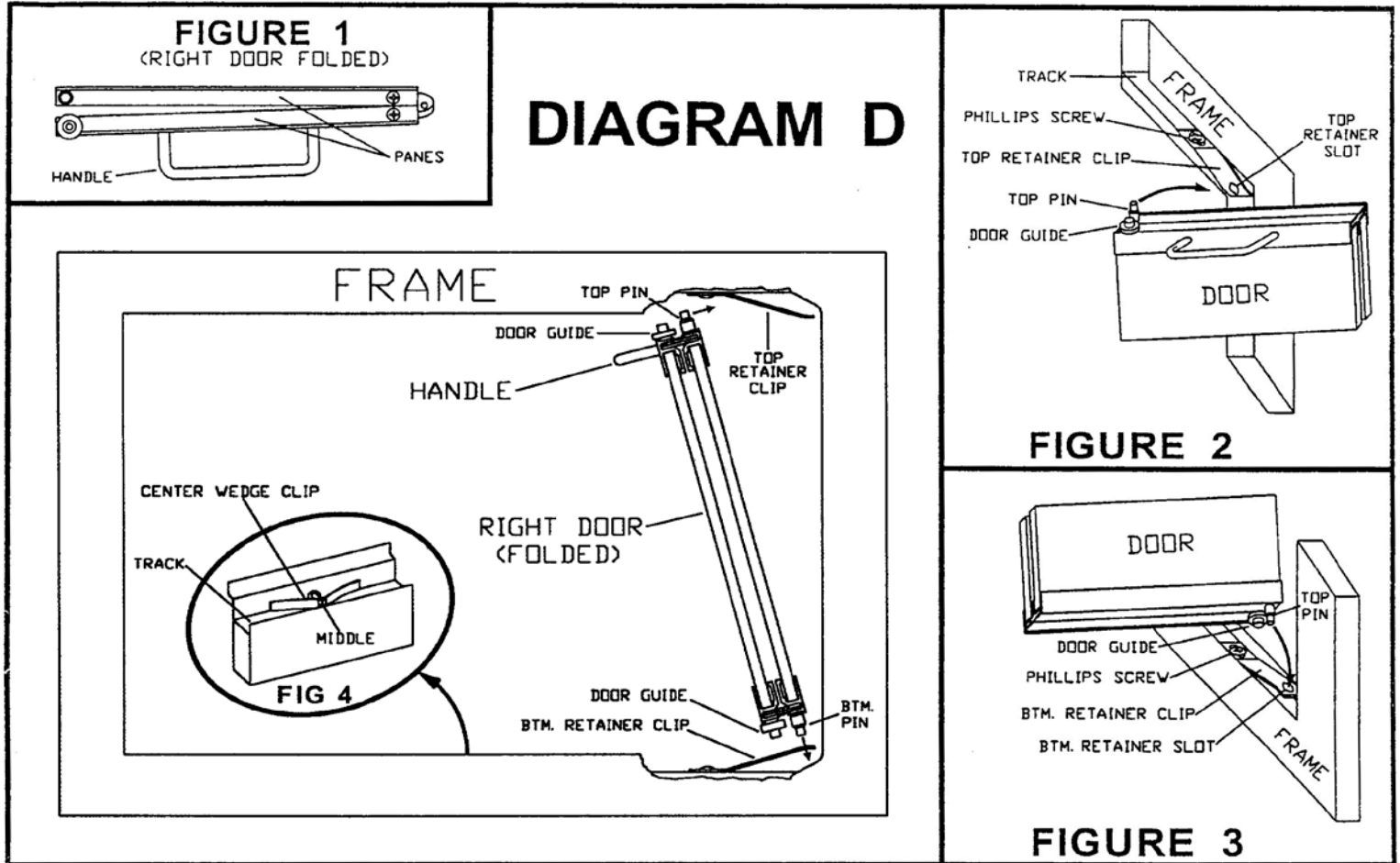
Inside Fit



Overlap Fit

## CV2 DOOR INSTALLATION, ADJUSTMENT AND REMOVAL

**NOTE:** There are three types of doors made by Thermo-Rite: the ClearView Bifold CV2, the ClearView Bifold Full Swing FS2, and the ClearView Twin Full Swing CV1. The CV2 and FS2 have two glass panes in each door, and the CV1 has one. The CV2 opens and closes by gliding within a track. The FS2 and CV1 are Full Swing and can be opened out away from the fireplace. Refer to the instructions on this page for CV2 doors. Refer to instructions on separate sheet for FS2 and CV1.



**CV2 DOOR INSTALLATION:** Fold panes of right door back to back with handle up as shown in Figure 1. Tilt door so that it fits inside frame as shown in Diagram D. Next, insert Bottom Pin into Bottom Retainer Slot as shown in Figure 3. Then tilt top of door toward vertical position making sure that all Pins and Door Guides are inside Track. Finally, slide Top Pin along Top Retainer Clip until Top Pin snaps into Top Retainer Slot, see Figure 2. Repeat procedure for left door.

**CV2 DOOR ADJUSTMENT:** The doors can be adjusted by changing the location of the door inside the frame. The door may need adjustment for several reasons. One would be that the doors do not fully close because they hit in the center of frame. Another would be that there is a noticeable gap in the center between the closed doors. If doors appear to close in correct position but do not latch (both doors do not stay closed), then there is a misalignment between the doors and the Center Wedge Clip. The Center Wedge Clip is located in the center of the bottom Track, see Figure 4. In order to stay closed, the left and right doors must meet in the Middle of the Center Wedge Clip.

To adjust doors, first loosen, but do NOT remove the Phillips Screw that holds the Retainer Clip to the frame, See Figure 2 and 3. Move door to desired position then tighten screw. Repeat procedure for other Retainer Clips as needed. Operate doors to check alignment and repeat procedure if necessary.

**CV2 DOOR REMOVAL:** Open door all the way until glass panes are back to back. While pushing down on door, push up on Top Retainer Clip with finger to free Top Pin and rotate top of door toward center of frame, see Diagram D and Figure 2. Carefully remove door.

### LIMITED WARRANTY POLICY

Thermo-Rite warrants all new enclosures to be free from defects in material and workmanship for a period of 5 years from the ultimate sale or installation if performed by the dealer. The warranty is void if damage is due to improper installation or improper operation. Thermo-Rite warrants tempered glass for a lifetime to the original owner. Commercial applications and CV1 glass wider than 13" are excluded. If the glass should break within this period, Thermo-Rite will supply panels free of charge except for the UPS shipping charges. If customer or dealer wants Thermo-Rite to install glass, a fee of \$10.00 plus freight both ways will be charges for each piece. In this case, a Return Goods Authorization (RGA) must be issued. To obtain replacement glass, customer or dealer must supply Thermo-Rite with a copy of proof of purchase date to receive a no-charge invoice on the glass.