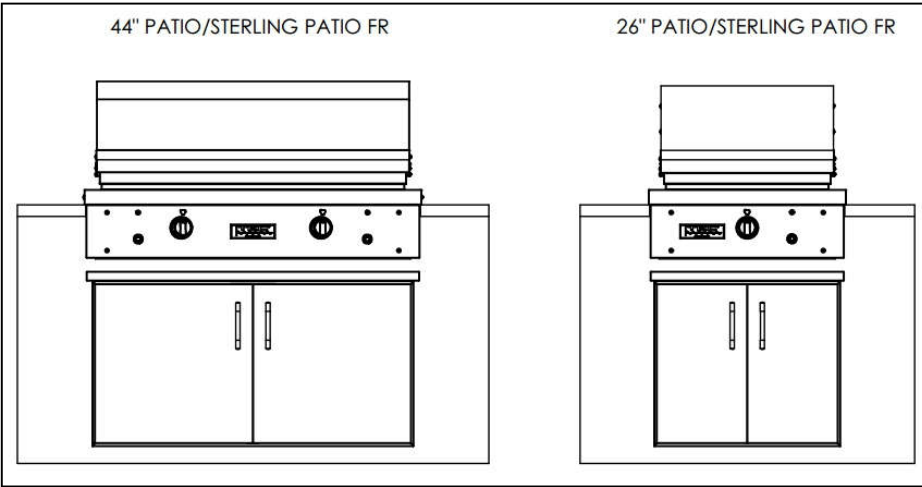


PATIO / STERLING PATIO BUILT-IN SPECIFICATIONS

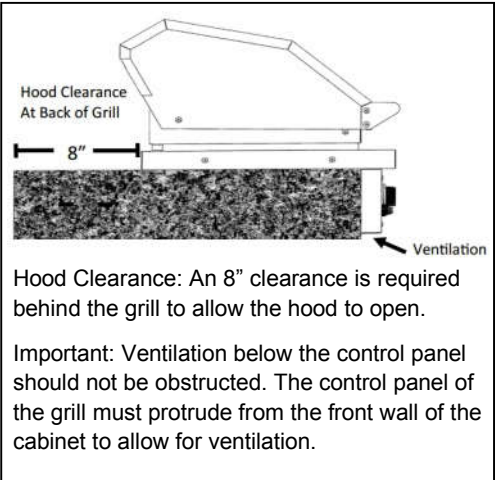
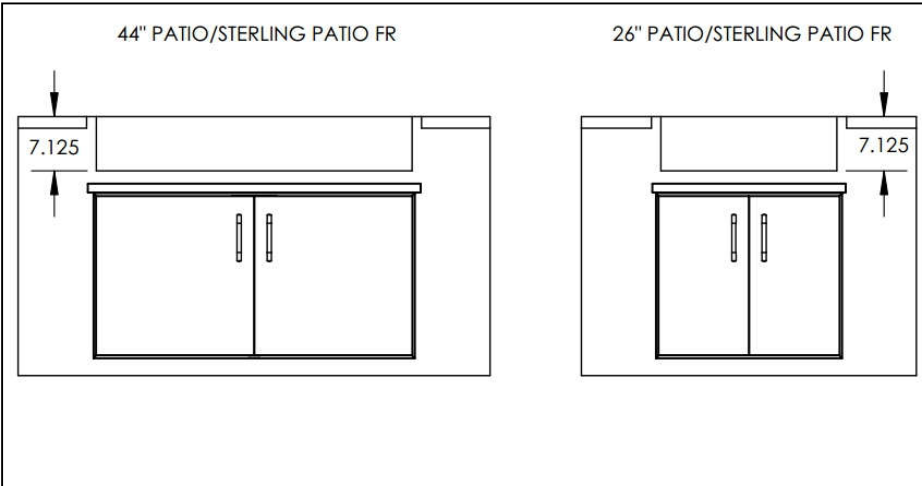
TEC's Built-In Grill is designed for easy installation. The grill drops into the cut out opening shown below and hangs from its countertop trim, no fasteners required. An insulation sleeve is built into every grill. For built-in enclosures when using an LP gas cylinder, special ventilation is required.



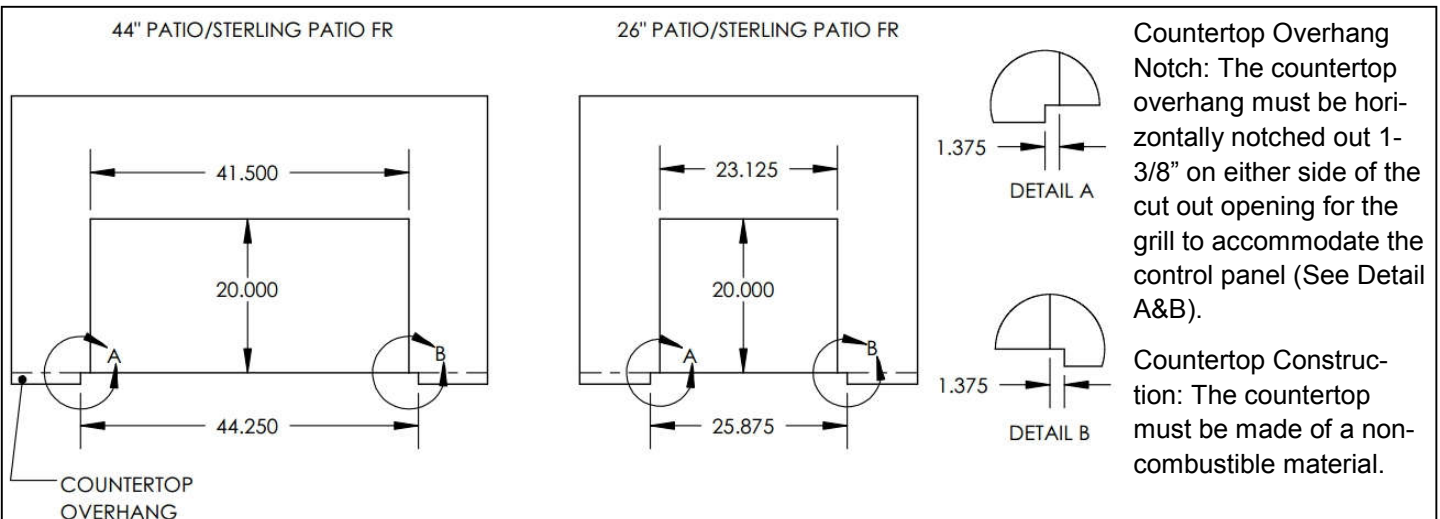
CONTROL PANEL CUT OUT DIMENSIONS

Clearance to Combustibles: Minimum clearance from either side of the grill (12") and the back of the grill (24") to combustible construction above the countertop must be observed. If the cabinet enclosure is constructed of combustible materials, the floor must be at least 25.5" below the bottom of the grill and the cabinet must be vented in 2 places, whether or not an LP tank is contained within (see Grill Enclosures Built With Combustible Material).

HOOD CLEARANCE AND VENTILATION FOR 26" AND 44" GRILLS



COUNTERTOP CUT OUT DIMENSIONS



Countertop Overhang Notch: The countertop overhang must be horizontally notched out 1-3/8" on either side of the cut out opening for the grill to accommodate the control panel (See Detail A&B).

Countertop Construction: The countertop must be made of a non-combustible material.

BUILT-IN GRILL INSTALLATION

Important Considerations

Location: Special care should be taken when locating your grill to insure that the prevailing wind does not blow into the rear of the grill. Winds hitting the back of the grill when the hood is closed may cause the burner flame to be extinguished. Built-in grills located in areas with prevailing winds should be protected by a wind barrier.

Level Surface: Proper leveling of your grill during installation is critical. A grill that is not level can cause erratic burner combustion.

Gas Supply Line: Keep the gas supply line as short as possible to reduce pressure drop.

Proper Air Flow: Proper air flow must be maintained for your grill to perform as your grill was designed. If air flow was blocked, overheating and poor combustion will result. Do not block the front air inlet along the bottom of the control panel.

Clearance to Combustibles: Minimum clearances to combustibles must be observed (See Page 5).

Countertop Overhang: The control panel of your grill is longer than the width of the cut opening of the countertop. It is designed to sit flush against the front wall of the grill enclosure (Cabinet / Island). If the countertop of the enclosure extends beyond the front wall creating a countertop overhang, the overhang must be notched out on both sides of the cutout opening to accommodate the full length of the control panel (See Countertop Cutout Dimensions on page 5).

Built-in Enclosure Ventilation: When an enclosure is built out of combustible material or is designed for an LP gas cylinder, special ventilation is required (See Below).

Ventilation Requirements And Clearances For Grill Enclosures Built With Combustible Materials

When a cabinet or island for a built-in Patio grill is constructed of combustible materials, the floor of the enclosure must be at least 25.5" below the bottom of the grill. The cabinet itself must be vented in two places, front and back, whether or not an LP tank is contained within the enclosure. Each vent should provide 35 sq. inches of unobstructed ventilation. The front cabinet vent should be centered below the grill at the bottom of the cabinet. It can be concealed by cutting the vent opening into the floor on the inside of the enclosure, just behind the cabinet doors. This will allow the grill to vent directly to the outside of the cabinet above the toe kick. The back cabinet vent should be positioned behind the grill, at the top of the cabinet. A ventilation cover can be placed over the vent openings as long as it provides at least 35 sq. inches of open area.

If the LP gas cylinder is to be contained in the enclosure, the enclosure must be built in accordance with the specifications under "Enclosures for Self-Contained LP Gas Cylinders."

Enclosures for Self-Contained LP Gas Cylinders

When an LP gas cylinder is installed inside the enclosure, the following guidelines for the cylinder enclosure must be followed:

Location: The access opening into the cylinder enclosure within your cabinet or island must be located directly below the grill. This will allow you to remove the cylinder from the enclosure

(if necessary) without disconnecting the gas hose. The access opening for the cylinder should be on the center line of the grill. Inside the enclosure, the cylinder can be mounted at the center of the grill, or the center line of the cylinder can be adjusted 14" to the right or left of center. The countertop surface onto which the grill will be mounted should be at least 35" high so that the gas hose will not touch the floor or ground when it is not connected to the LP cylinder. Otherwise, your gas hose will not be long enough to allow you to remove the cylinder while it is still connected to your grill.

Dimensions: The enclosure must be a minimum of 20" wide and 20" deep and should be at least 35" high in order to accommodate a 20 lb. LP cylinder and allow access to the cylinder valve.

Floor Height: There must be a minimum clearance of 2" and a maximum of 5" between the floor of the cylinder enclosure and the ground.

Door Opening: The door opening of the enclosure must be a minimum of 15" wide and 20" tall to accommodate a 20 lb. LP cylinder. If a door is installed, it must be ventilating and capable of being opened without the use of tools.

Ventilation: For your safety: All enclosures for LP gas cylinders must have ventilation holes to prevent gas build-up in the event of a leak. To properly ventilate a built-in enclosure for an LP cylinder.

1. Leave one side of the cylinder enclosure completely open. The side left open must be directly exposed to the outside air (or)
2. Provide at least two unobstructed ventilation openings (upper and lower) in an exterior side of the cylinder enclosure to achieve direct ventilation to the outside air. Important: Openings cannot vent into other enclosed areas within the island or cabinet. The upper vent openings must be located within 5 inches of the top of the enclosure and shall have a total free area of not less than 1 in²/lb. of stored fuel capacity. The lowest vent opening(s) must be located within 1 inch of the floor of the cylinder enclosure but can extend no higher than 5 inches above the floor. This opening must have a total free area of not less than 1/2 in²/lb. of stored fuel capacity. Every opening shall have a minimum dimension so as to permit the entrance of a 1/8" (3.2mm) rod. It should be noted that the above minimum ventilation is for the purpose of not allowing excessive propane gas to accumulate in the event of a leak. The enclosure for a Patio grill requires a greater amount of ventilation because the flow of air provides some cooling and the secondary air for combustion.

GAS SUPPLY REQUIREMENTS

Fuel	Max. Inlet Pressure	Min. Inlet Pressure	Burner Operating Pressure
Natural Gas	13.5 IN. WC	5.0 IN. WC	4.0 IN. WC
LP (20 lb tank)	125 psi	12 IN.WC	10.0 IN. WC
LP (Bulk tank)	13.5 IN. WC	12 IN.WC	10.0 IN. WC

Gas Type

Your grill has been factory set to use either Propane (LP) or Natural Gas. Use only the gas type designated for your grill. Failure to use the correct gas type can cause your grill to over fire or under fire. The designated gas type is specified on the serial number plate of the grill.

Regulator: WARNING: NEVER CONNECT A GAS LINE DIRECTLY TO A GRILL. FOR YOUR SAFETY ONLY USE THE REGULATOR PROVIDED WITH YOUR GRILL, or if replacements parts are necessary use only TEC specified replacement parts as these parts have been pre-adjusted to the required gas pressure of the grill. A pressure regulator must be installed on all grills and failure to do so can result in fire or serious personal injury, property damage, and/or death. The regulator for Natural gas units is permanently attached to the grill at the factory prior to shipping, and only a qualified technician should perform the required plumbing.

Bulk Tank Application: The regulator/hose assembly included with TEC LP Gas grills cannot be used with a LP Bulk Tank. A TEC specified bulk tank regulator must be purchased separately and attached to the grill (by a qualified technician) and used in conjunction with the regulator that is installed on the bulk tank.

Converting Your Grill To a Different Type Gas: To convert your grill from LP to Natural or Natural to LP gas use, a TEC conversion kit is required and must be installed by a qualified technician.

GAS LEAK TESTING

Important: Test for leaks every time the gas is reconnected.

Warning: Do not smoke while performing a leak test or allow any potential source of ignition in the area. Never conduct a leak test using fire.

Procedure:

1. Confirm that all burner control knobs are in the "OFF" position.
2. Slowly open the LP Cylinder Valve or gas shut-off valve (for permanent installations).
3. Generously apply a soapy water solution to all connections and fittings. If bubbles can be seen around a connection, you have a gas leak. Immediately close the cylinder valve or shut-off valve. Call a qualified technician to repair the leak.
4. For grills fueled by a 20 lb. LP cylinder, if the gas leak is located at the cylinder valve outlet, check to see that the regulator/cylinder valve connections are hand tight, then repeat the leak test. If bubbles continue to appear around the connection, the valve of the cylinder may be defective. Replace the cylinder and repeat the leak test. If bubbles appear, call a qualified technician.

Important: Use only TEC specified replacement parts.