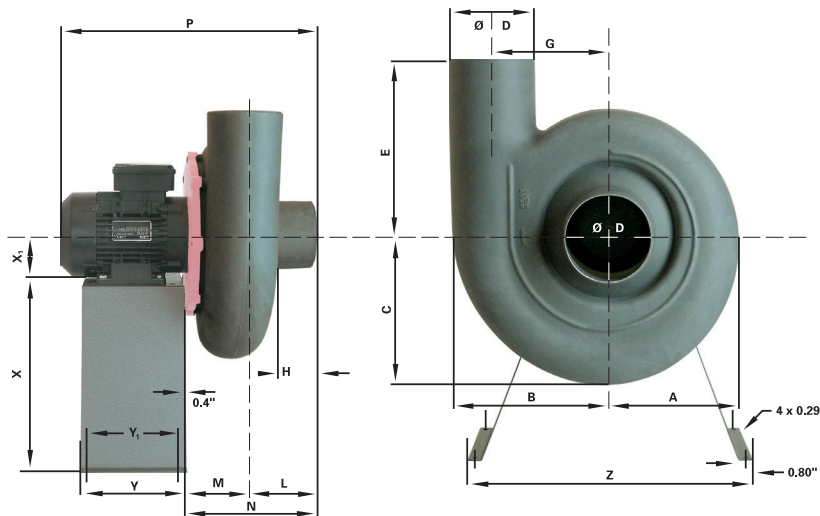




# Performance & Dimensions

## Storm 14

Standard Gray Polypropylene Housing Assembly and Black Carbon Fiber Impregnated Polypropylene Housing Assembly for Explosion-Proof Series

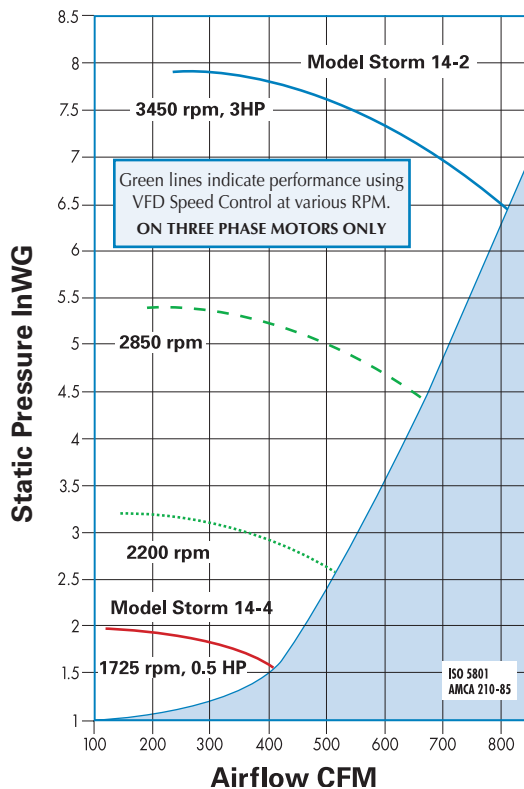


Metal stand does not come standard with fan (see accessories). Motor frame sizes may vary upon type of motor used.

### Dimensional Data (All dimensions in inches)

A	7.40	H	4.17	Y	7.125
B	9.13	L	6.33	Y <sub>1</sub>	6.30
C	8.94	M	3.27	Z	16.25
D	4.53	N	9.60	X	11.81
E	10.58	P	19.05	X <sub>1</sub>	3.15
G	6.69				

Wheel diameter: 9.75"



n (T/min) R.P.M.	dB (A)	dB
1450	75	87,3
1720	78,8	90,8
2850	89,3	105,8
3300	93,1	110,5

ISO 9614/1



Housing and motor noise level when fan is running near maximum output

n (T/min) R.P.M.	Global dB	Global dB (A)
1450	65,4	61,1
1720	69,1	69,1
2850	82,1	78
3300	86,7	81,8

For **Weather Protection** see optional accessory "Weather Hood/WH3 Pedestal" pictured at right.

Also available with optional WH5 Aluminum Weatherhood. (See Accessories)



### Rotation and Discharge for Centrifugal Fans

STANDARD POSITION

OPTIONAL FIELD ADJUSTABLE POSITIONS



Counter-Clockwise Up Blast CCW 360



Counter-Clockwise Top Angular Up Blast CCW 45



Counter-Clockwise Top Horizontal CCW 90



Counter-Clockwise Top Angular Down Blast CCW 135



Counter-Clockwise Down-Blast CCW 180



Counter-Clockwise Bottom Angular Down Blast CCW 225



Counter-Clockwise Bottom Horizontal CCW 270



Counter-Clockwise Bottom Angular Up Blast CCW 315

#### Notes:

- (1) Direction of rotation is determined from the drive side of fan. **Standard position is up-blast CCW 360.**
- (2) On single inlet fans, drive side is always considered as the side opposite fan inlet.
- (3) CW not available for STORM 14.

[www.plastecvent.net](http://www.plastecvent.net)