

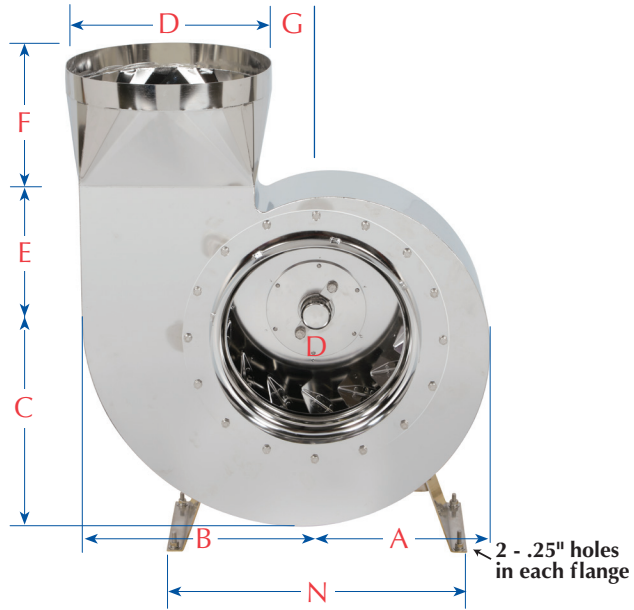
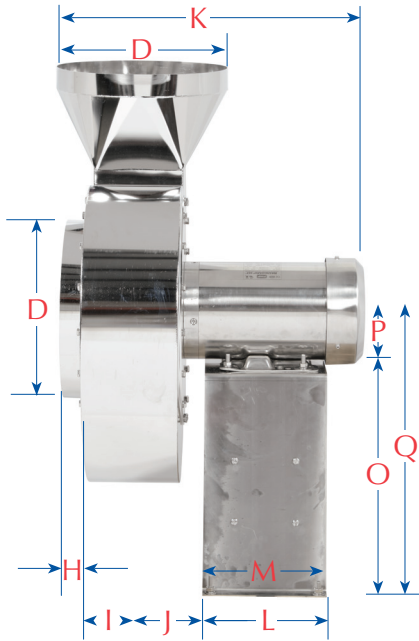


PHONE: (941) 751-7596  
 FAX: (941) 751-7598  
 www.plastecvent.net

# PSS35BI

Inlet - Outlet Outside Dimensions (O/D): 12.00

Impeller Diameter: 13.50



316 Stainless Steel Motor Support Stand comes standard with PSS35BI Series.

## DIMENSIONAL DATA (inches)

A	B	C	D	E	F	G	H	I	J	L	M	N	O
10.00	7.75	21.50	12.00	6.50	6.75	4.00	1.50	3.00	3.00	8.00	7.00	18.75	13.50

K	P	Q	BLOWER TYPE
18.73	3.50	17.00	PSS35BISS2PGP
18.76	3.50	17.00	PSS35BISS4PAS
16.93	3.50	17.00	PSS35BISS4PGP
19.19	3.50	17.00	PSS35BIST2PAS
19.25	3.50	17.00	PSS35BIST2PPE
19.13	3.50	17.00	PSS35BIST2PGP
21.10	3.50	17.00	PSS35BIST2PEP
18.60	3.50	17.00	PSS35BIST4PAS
19.25	3.50	17.00	PSS35BIST4PPE
18.50	3.50	17.00	PSS35BIST4PGP
19.60	3.50	17.00	PSS35BIST4PEP

## ROTATION AND DISCHARGE FOR CENTRIFUGAL FANS

### Standard Position



Counter-Clockwise  
Up Blast  
CCW 360

### Optional Field Adjustable Positions



Counter-Clockwise  
Top Angular  
Up Blast  
CCW 45



Counter-Clockwise  
Top Horizontal  
CCW 90



Counter-Clockwise  
Top Angular  
Down Blast  
CCW 135



Counter-Clockwise  
Down-Blast  
CCW 180



Counter-Clockwise  
Bottom Angular  
Down Blast  
CCW 225



Counter-Clockwise  
Bottom Horizontal  
CCW 270

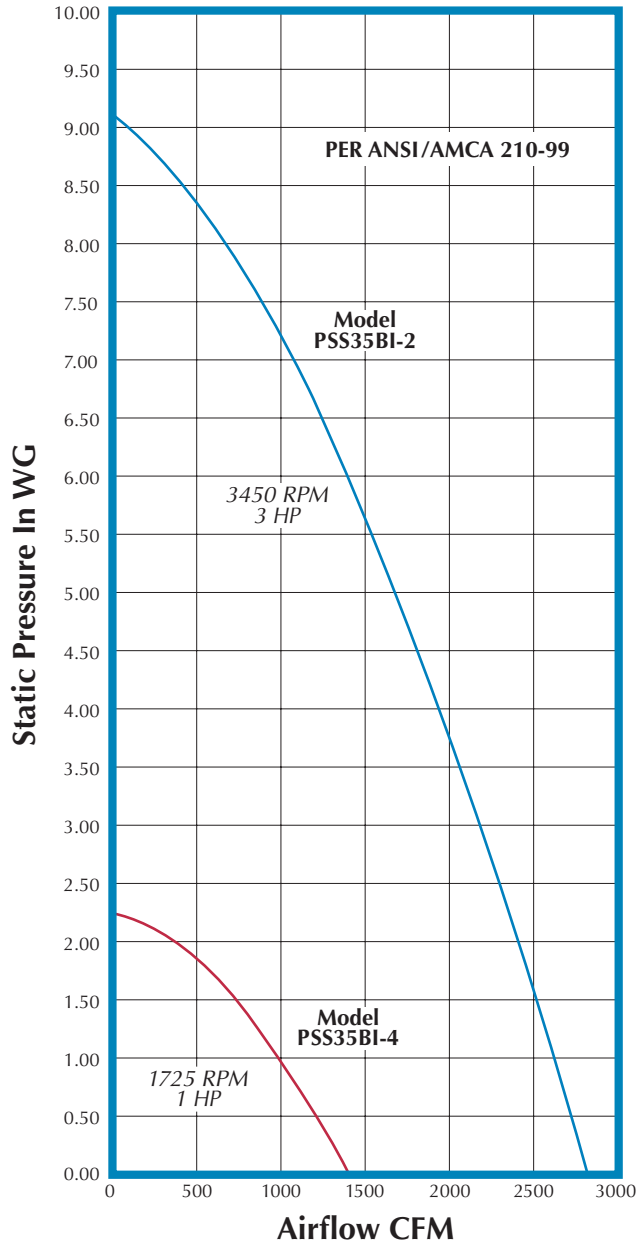


Counter-Clockwise  
Bottom Angular  
Up Blast  
CCW 315

### Notes:

- (1) Direction of rotation is determined from the drive side of fan. **Standard position is up-blast CCW 360.**
- (2) On single inlet fans, drive side is always considered as the side opposite fan inlet.
- (3) Clockwise available upon request.

# PSS35BI



PSS mounted to optional WH5 with Inspection Lid open

AMCA BAND NUMBER: CENTER FREQUENCY (Hz):	1 63	2 125	3 250	4 500	5 1000	6 2.0K	7 4.0K	8 8.0K	POINT OF OPERATION
<b>Determination No.: 1</b>									<i>P<sub>s</sub>: 0.00 in. wg</i>
<i>L<sub>wi</sub> (dB):</i>	104	99	102	102	98	92	91	87	<i>Q: 2871 cfm N: 3490 rpm</i>
<b>Determination No.: 2</b>									<i>P<sub>s</sub>: 3.40 in. wg</i>
<i>L<sub>wi</sub> (dB):</i>	107	98	100	101	94	89	87	82	<i>Q: 2143 cfm N: 3487 rpm</i>
<b>Determination No.: 3</b>									<i>P<sub>s</sub>: 6.05 in. wg</i>
<i>L<sub>wi</sub> (dB):</i>	105	105	101	98	93	88	85	79	<i>Q: 1400 cfm N: 3505 rpm</i>
<b>Determination No.: 4</b>									<i>P<sub>s</sub>: 8.25 in. wg</i>
<i>L<sub>wi</sub> (dB):</i>	99	101	96	95	93	87	83	78	<i>Q: 562 cfm N: 3528 rpm</i>

This data was obtained in a laboratory accredited for AMCA 300 Sound Testing.

Type D, Ducted Inlet/Outlet

AMCA Standard 300-95