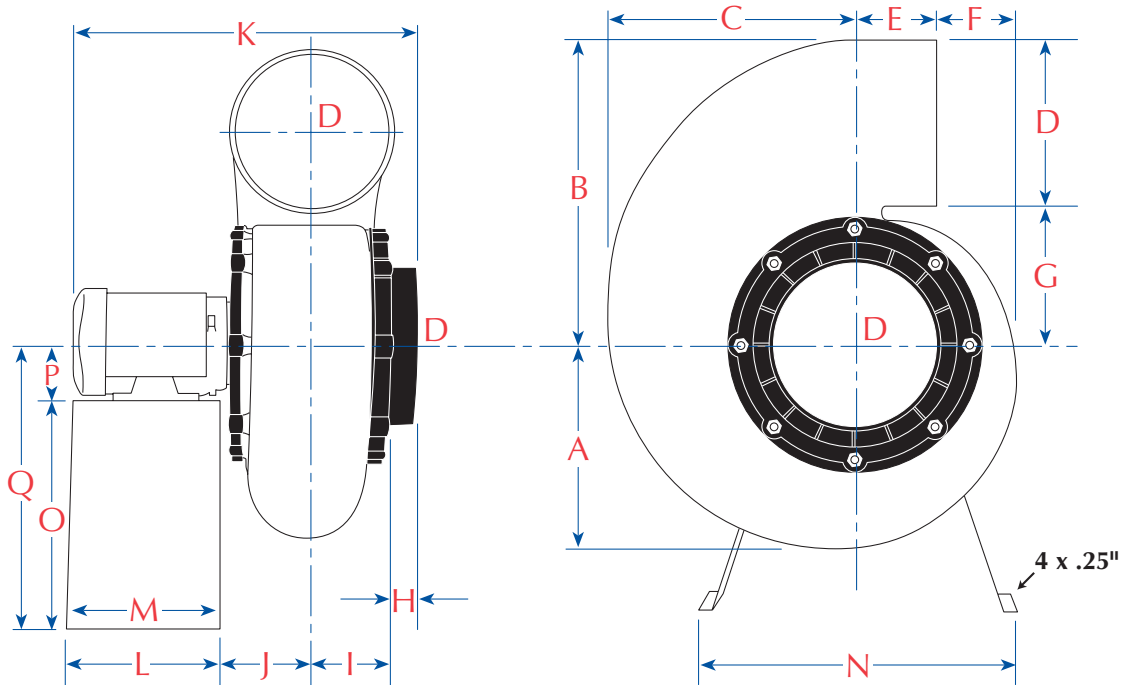




PHONE: (941) 751-7596  
 FAX: (941) 751-7598  
 www.plastecvent.net

# PLASTEC® 35

Impeller/Wheel Diameter: 14.37



*Optional Stainless Steel Impeller/Wheel Available*

*Metal stand optional, not standard. Shown with fan (see Accessories) for dimensional data only. Motor frame sizes may vary upon type of motor used.*

## Standard Gray Polypropylene Housing Assembly

### DIMENSIONAL DATA (inches)

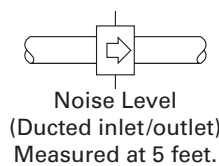
A	B	C	D	E	F	G	H	I	J	L	M	N	O
14.56	22.44	17.71	12.40	5.11	6.69	10.03	2.36	5.90	6.69	13.77	12.36	23.62	18.42

K	P	Q	BLOWER TYPE
31.54	5.25	23.67	PLA35ST4P
31.54	5.25	23.67	PLA35ST6P
28.02	5.25	23.67	PLA35ST8P

### SHOWN WITH OPTIONAL ROOF UNIT KIT

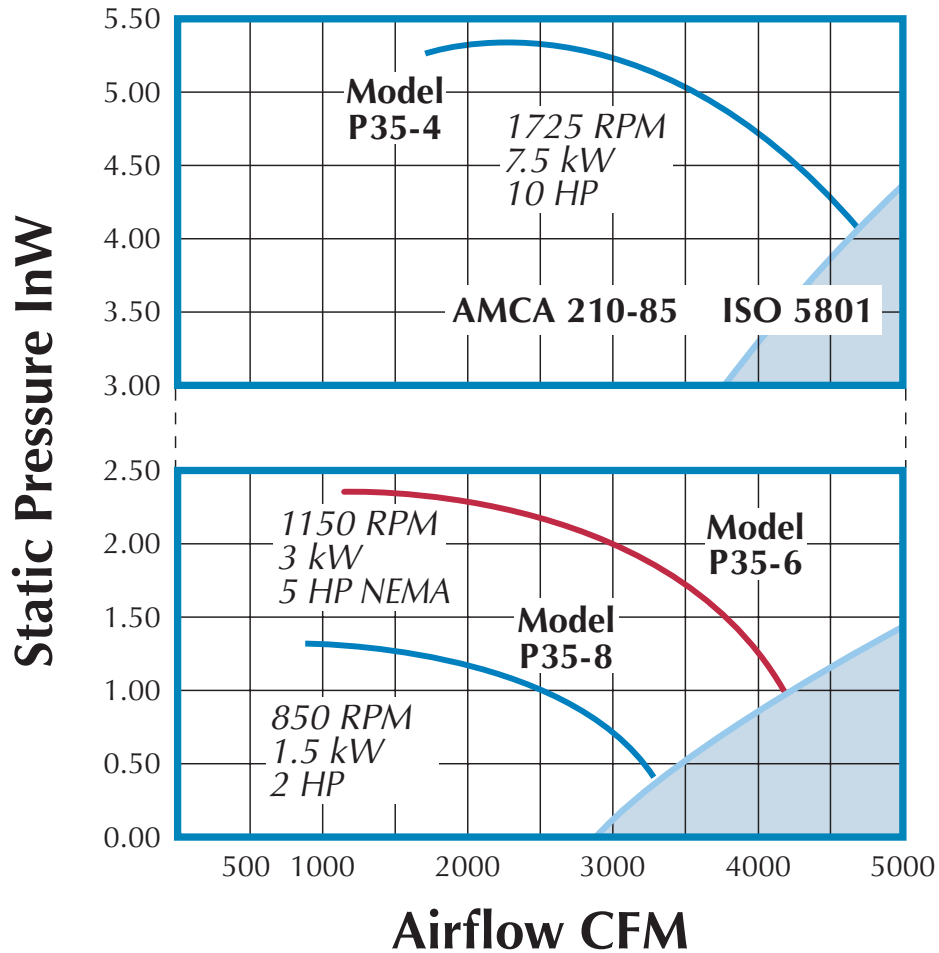


*See Accessories Performance and Dimensional Data Sheets for Roof Unit Kits*



R.P.M.	LWA dB (A)
850	64
1150	71
1725	82

# PLASTEC® 35



For **Weather Protection** see accessory "Weather Hood Enclosed Pedestal" Model WH4, pictured at right. Also see Model WH5 Aluminum Weather Hood pictured at left.



## ROTATION AND DISCHARGE FOR CENTRIFUGAL FANS

### Standard Position



Counter-Clockwise  
Up Blast  
CCW 360



Counter-Clockwise  
Top Angular  
Up Blast  
CCW 45



Counter-Clockwise  
Top Horizontal  
CCW 90



Counter-Clockwise  
Top Angular  
Down Blast  
CCW 135



Counter-Clockwise  
Down-Blast  
CCW 180



Counter-Clockwise  
Bottom Angular  
Down Blast  
CCW 225



Counter-Clockwise  
Bottom  
Horizontal  
CCW 270



Counter-Clockwise  
Bottom Angular  
Up Blast  
CCW 315

### Optional Field Adjustable Positions

### Notes:

- (1) Direction of rotation is determined from the drive side of fan. **Standard position is up-blast CCW 360.**
- (2) On single inlet fans, drive side is always considered as the side opposite fan inlet.
- (3) CW not available for PLASTEC 35