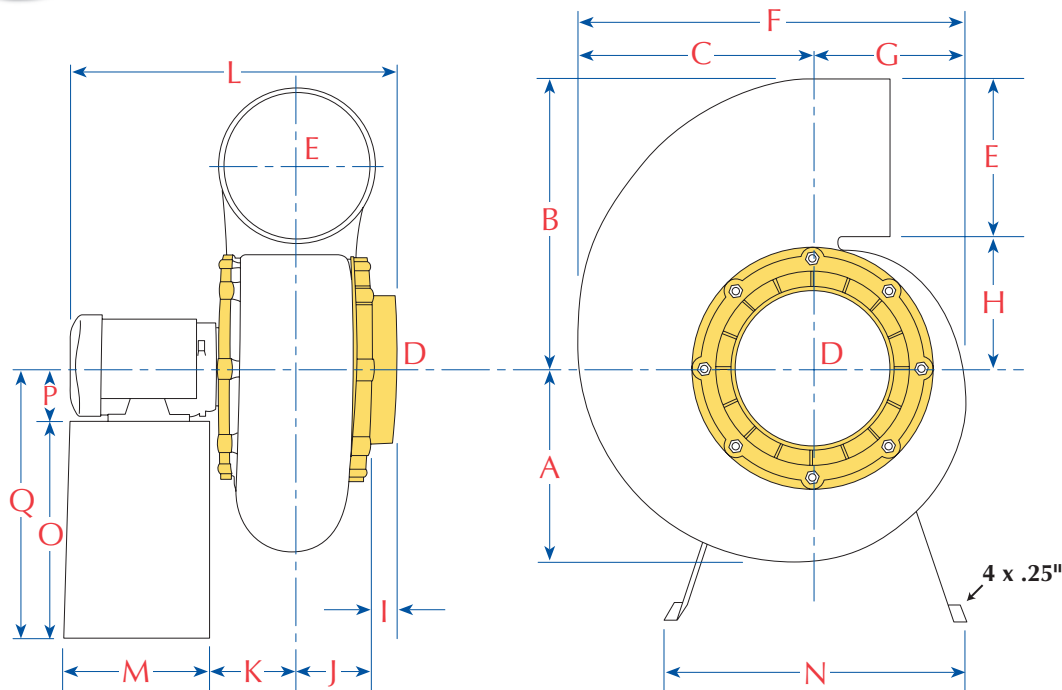




PHONE: (941) 751-7596
 FAX: (941) 751-7598
 www.plastecvent.net

PLASTEC® 20

Impeller/Wheel Diameter: 7.87



Optional Stainless Steel Impeller/Wheel Available

Metal stand optional, not standard. Shown with fan (see Accessories) for dimensional data only. Motor frame sizes may vary upon type of motor used.

DIMENSIONAL DATA (inches)

	A	B	C	D	E	F	G	H	I	J	K	M	N	O
¹	8.18	11.88	9.44	6.30	6.62	15.25	6.17	5.25	1.25	3.30	3.70	7.08	13.38	9.44
²	8.18	11.88	9.44	6.30	6.30	13.37	6.17	5.50	1.25	3.30	3.70	7.08	13.38	9.44

1 - Standard Gray Polypropylene Housing Assembly

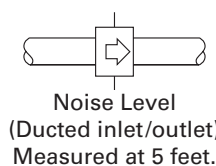
2 - Black Carbon Fiber Impregnated Polypropylene Housing Assembly For Explosion-Proof Series

L	P	Q	BLOWER TYPE
20.02	3.50	12.94	PLA20SS2P
17.59	3.50	12.94	PLA20ST2P
21.08	3.50	12.94	PLA20XS2P
21.08	3.50	12.94	PLA20XT2P
18.22	3.50	12.94	PLA20SS4P
17.60	3.50	12.94	PLA20ST4P
20.00	3.50	12.94	PLA20XS4P
20.00	3.50	12.94	PLA20XT4P
18.22	3.50	12.94	PLA20SS6P
14.70	2.48	11.92	PLA20ST6P
19.90	3.50	12.94	PLA20XS6P

SHOWN WITH OPTIONAL ROOF UNIT KIT

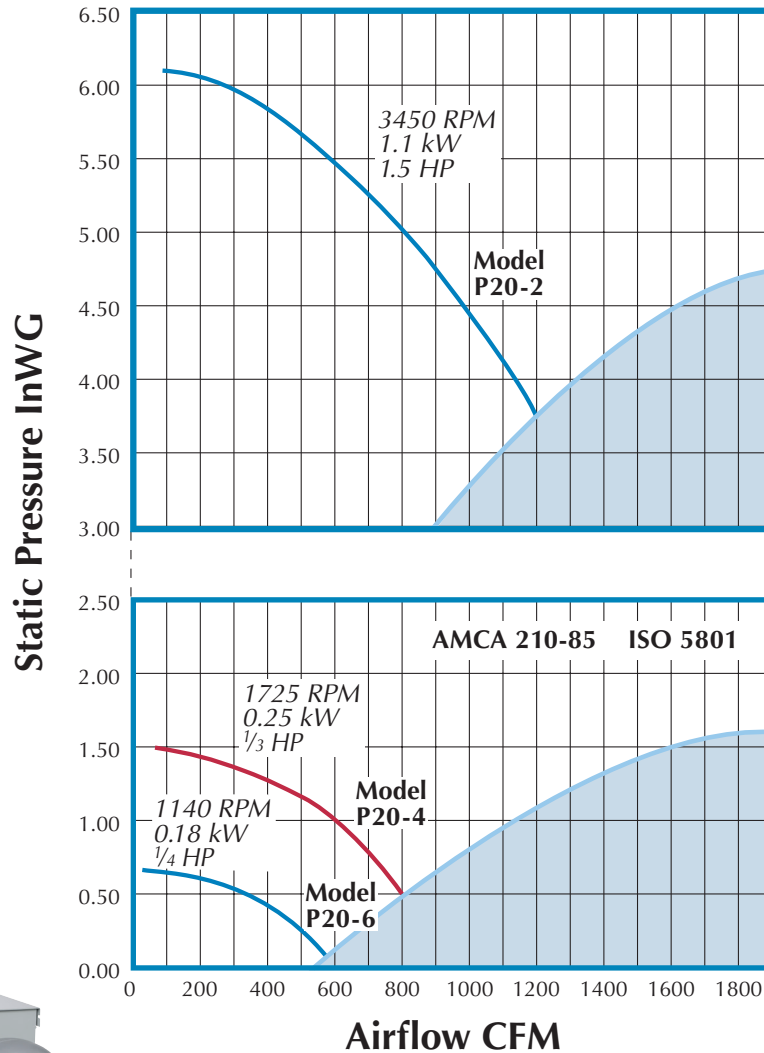


See Accessories Performance and Dimensional Data Sheets for Roof Unit Kits



R.P.M.	LWA dB (A)
1150	46
1725	56
3450	73

PLASTEC® 20



For **Weather Protection** see optional accessory "Weather Hood Enclosed Pedestal" Model WH3, pictured at right. Also see Model WH5 Aluminum Weather Hood pictured at left.



ROTATION AND DISCHARGE FOR CENTRIFUGAL FANS

Standard Position



Counter-Clockwise
Up Blast
CCW 360



Counter-Clockwise
Top Angular
Up Blast
CCW 45



Counter-Clockwise
Top Horizontal
CCW 90



Counter-Clockwise
Top Angular
Down Blast
CCW 135



Counter-Clockwise
Down-Blast
CCW 180



Counter-Clockwise
Bottom Angular
Down Blast
CCW 225



Counter-Clockwise
Bottom
Horizontal
CCW 270



Counter-Clockwise
Bottom Angular
Up Blast
CCW 315

Optional Field Adjustable Positions

Notes:

- (1) Direction of rotation is determined from the drive side of fan. **Standard position is up-blast CCW 360.**
- (2) On single inlet fans, drive side is always considered as the side opposite fan inlet.
- (3) Clockwise available upon request.