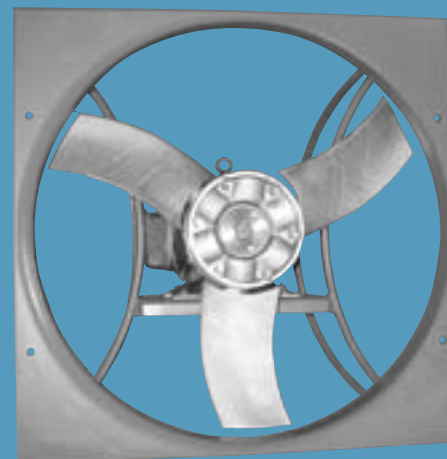
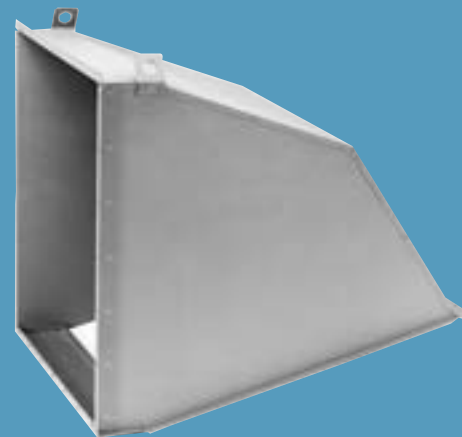
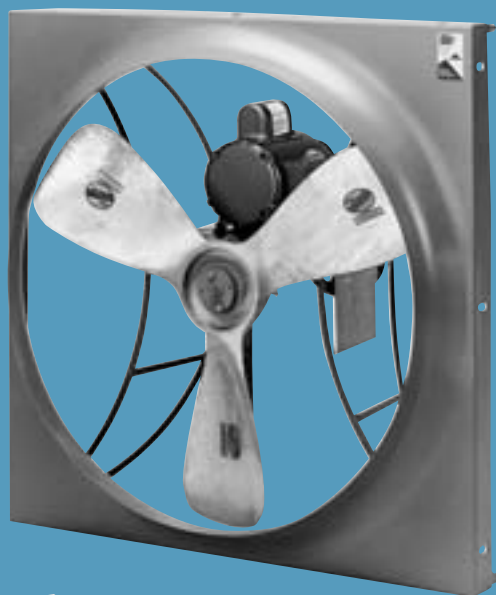
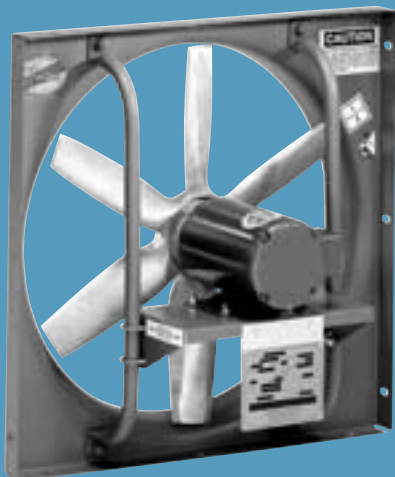


Propeller Fans and Wall Ventilators

Ring & Panel Fans
Series 01
Series 09

Belt & Direct Drive
Series 02
Series 10

Series 08
Series 14



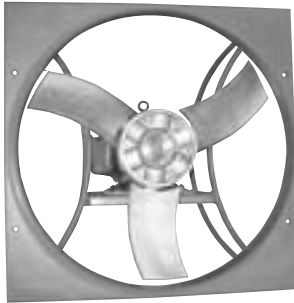
HARTZELL®

Hartzell Fan, Inc., Piqua, Ohio 45356
www.hartzellfan.com

Standard Panel Fan (Direct Drive)



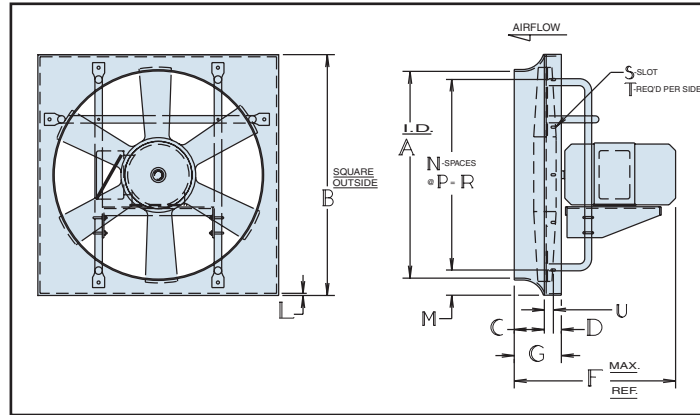
Series 02S
"G" Duty Shown



Series 02S
"H" Duty Shown with
AL Adjustable Pitch Prop

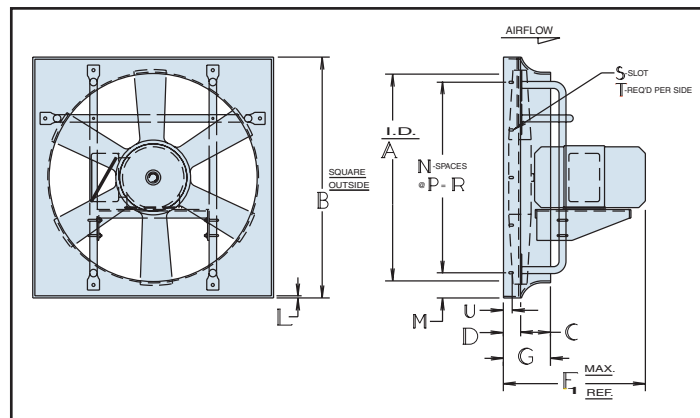
- Series 02S – Standard Flow and 02R – Reverse Flow Direct Drive Panel Fans.
- "G" (General Industrial) Duty and "H" (Heavy Industrial) Duty construction are available. See page 3 and performance rating table.
- Steel spun orifice panel.
- Sizes 12" to 60".

STANDARD AIR FLOW – SERIES 02S



CONFIGURATION 1 - SF
FAN ONLY

REVERSE AIR FLOW – SERIES 02R



CONFIGURATION 1 - RF
FAN ONLY

ABS Certificate
of Design Assessment
Received

Hartzell Fan, Inc. certifies that the 02S-Direct Drive Panel Fan, Standard Flow and 02R- Direct Drive Panel Fan, Reverse Flow, shown hereon is licensed to bear the AMCA Seal. The ratings shown are based on tests and procedures performed in accordance with AMCA Standard 211 and comply with the requirements of the Certified Ratings Program.



Hartzell Fan, Inc. certifies that the Panel Fan, Series 02, herein, are authorized to bear CE Marking in accordance with Machinery Safety Directive 98/37/EC of the European Union. Reference Technical File E.S. 13.2.2.



Drawing for "G" (General Industrial) Duty construction shown, overall envelope dimensions of the "H" (Heavy Industrial) Duty construction will remain the same, except Fmax/F1max dimension, which is significantly larger for "H" Duty Construction.

Principal Dimensions

| FAN SIZE | A | B | C | D | F (MAX) | F ₁ (MAX) | G | L | M | N | P | R | S | T | U | MOTOR FRAME | | MAX MOTOR HP | MAX WT. STEEL (LESS MOTOR WT.) |
|----------|------------------|----|-----------------|-----------------|------------------|----------------------|-----------------|--------|-----------------|---|-------|----|--------------------------------|---|-----------------|-------------|------|-----------------|--------------------------------|
| | | | | | | | | | | | | | | | | MIN. | MAX. | | |
| 12 | 12 $\frac{3}{8}$ | 16 | 1 $\frac{1}{4}$ | 1 $\frac{1}{4}$ | 16 | 15 | 3 $\frac{1}{2}$ | 16 GA. | 2 $\frac{1}{2}$ | 1 | 11.00 | 11 | $\frac{7}{16}$ x $\frac{3}{8}$ | 2 | $\frac{7}{8}$ | 48 | 145T | 2 | 15 |
| 14 | 14 $\frac{3}{8}$ | 18 | 2 | 1 $\frac{1}{4}$ | 16 $\frac{1}{4}$ | 15 | 3 $\frac{3}{8}$ | 16 GA. | 2 $\frac{1}{2}$ | 1 | 13.00 | 13 | $\frac{7}{16}$ x $\frac{3}{8}$ | 2 | $\frac{7}{8}$ | 48 | 145T | 2 | 16 |
| 16 | 16 $\frac{3}{8}$ | 20 | 2 $\frac{1}{2}$ | 1 $\frac{1}{4}$ | 16 $\frac{1}{4}$ | 15 | 3 $\frac{3}{8}$ | 16 GA. | 2 $\frac{1}{2}$ | 1 | 15.00 | 15 | $\frac{7}{16}$ x $\frac{3}{8}$ | 2 | $\frac{7}{8}$ | 48 | 145T | 2 | 17 |
| 18 | 18 $\frac{3}{8}$ | 22 | 2 $\frac{1}{2}$ | 1 $\frac{1}{4}$ | 13 $\frac{3}{8}$ | 14 $\frac{3}{8}$ | 4 $\frac{1}{4}$ | 16 GA. | 2 $\frac{1}{2}$ | 1 | 17.00 | 17 | $\frac{7}{16}$ x $\frac{3}{8}$ | 2 | $\frac{7}{8}$ | 48 | 56 | $\frac{3}{4}$ | 51 |
| 20 | 20 $\frac{3}{8}$ | 25 | 2 $\frac{1}{2}$ | 1 $\frac{1}{4}$ | 14 $\frac{3}{4}$ | 14 $\frac{3}{8}$ | 4 $\frac{1}{4}$ | 16 GA. | 2 $\frac{1}{2}$ | 2 | 10.00 | 20 | $\frac{7}{16}$ x $\frac{3}{8}$ | 3 | $\frac{7}{8}$ | 48 | 143T | 1 | 64 |
| 24 | 24 $\frac{3}{8}$ | 28 | 3 $\frac{1}{2}$ | 2 | 14 $\frac{3}{4}$ | 14 $\frac{3}{8}$ | 5 $\frac{1}{2}$ | 14 GA. | 2 $\frac{1}{2}$ | 2 | 11.50 | 23 | $\frac{7}{16}$ x $\frac{3}{8}$ | 3 | 1 | 48 | 145T | 1 $\frac{1}{2}$ | 78 |
| 28 | 28 $\frac{3}{8}$ | 33 | 3 $\frac{1}{2}$ | 2 $\frac{1}{2}$ | 20 $\frac{1}{2}$ | 18 $\frac{3}{8}$ | 6 | 14 GA. | 2 $\frac{1}{2}$ | 2 | 14.00 | 28 | $\frac{7}{16}$ x $\frac{3}{8}$ | 3 | 1 $\frac{1}{4}$ | 48 | 145T | 2 | 102 |
| 32 | 32 $\frac{3}{8}$ | 36 | 3 $\frac{1}{2}$ | 2 $\frac{1}{2}$ | 20 $\frac{1}{2}$ | 18 $\frac{3}{8}$ | 6 $\frac{1}{4}$ | 14 GA. | 2 $\frac{1}{2}$ | 2 | 15.50 | 31 | $\frac{7}{16}$ x $\frac{3}{8}$ | 3 | 1 $\frac{1}{2}$ | 48 | 184T | 2 | 120 |
| 36 | 36 $\frac{3}{8}$ | 42 | 4 | 2 $\frac{1}{2}$ | 22 $\frac{1}{2}$ | 22 $\frac{3}{8}$ | 6 $\frac{3}{4}$ | 14 GA. | 2 $\frac{1}{2}$ | 3 | 12.33 | 37 | $\frac{7}{16}$ x $\frac{3}{8}$ | 4 | 1 $\frac{1}{2}$ | 56 | 213T | 3 | 147 |
| 40 | 40 $\frac{3}{8}$ | 46 | 4 $\frac{1}{2}$ | 2 $\frac{1}{2}$ | 22 $\frac{1}{2}$ | 22 $\frac{3}{8}$ | 7 $\frac{1}{8}$ | 14 GA. | 2 $\frac{1}{2}$ | 3 | 13.66 | 41 | $\frac{7}{16}$ x $\frac{3}{8}$ | 4 | 1 $\frac{1}{2}$ | 56 | 215T | 5 | 168 |
| 44 | 44 $\frac{3}{8}$ | 50 | 4 $\frac{1}{2}$ | 2 $\frac{1}{2}$ | 25 $\frac{1}{2}$ | 23 $\frac{1}{2}$ | 7 $\frac{1}{2}$ | 14 GA. | 2 $\frac{1}{2}$ | 3 | 15.00 | 45 | $\frac{7}{16}$ x $\frac{3}{8}$ | 4 | 1 $\frac{1}{2}$ | 56 | 254T | 5 | 183 |
| 48 | 48 $\frac{3}{8}$ | 54 | 4 $\frac{1}{2}$ | 2 $\frac{1}{2}$ | 25 $\frac{1}{2}$ | 23 $\frac{1}{2}$ | 7 $\frac{1}{2}$ | 14 GA. | 2 $\frac{1}{2}$ | 3 | 16.33 | 49 | $\frac{7}{16}$ x $\frac{3}{8}$ | 4 | 1 $\frac{1}{2}$ | 56 | 254T | 5 | 192 |
| 54 | 54 $\frac{3}{8}$ | 60 | 5 | 2 $\frac{1}{2}$ | 32 $\frac{3}{8}$ | 32 | 7 $\frac{1}{4}$ | 14 GA. | 2 $\frac{1}{2}$ | 3 | 18.33 | 55 | $\frac{7}{16}$ x $\frac{3}{8}$ | 4 | 1 $\frac{1}{2}$ | 213T | 365T | 20 | 165 |
| 60 | 60 $\frac{3}{8}$ | 66 | 5 $\frac{1}{2}$ | 2 $\frac{1}{2}$ | 33 $\frac{3}{8}$ | 33 $\frac{3}{8}$ | 8 $\frac{1}{4}$ | 14 GA. | 2 $\frac{1}{2}$ | 3 | 20.33 | 61 | $\frac{7}{16}$ x $\frac{3}{8}$ | 4 | 1 $\frac{1}{2}$ | 213T | 365T | 20 | 279 |

NOTE: Dimensions and specifications are subject to change. Certified prints are available. Dimensions for fan sizes 12", 14", 16", 54" and 60" are "H" Duty construction.



Performance Data

Rating Table – Series 01S, 01R, 02S, 02R

| Size | Model Code | Motor | | Peak Fan BHP | CFM @ STATIC PRESSURE | | | | | | | | | | |
|------|----------------------|-------|------|--------------|-----------------------|-------|-------|-------|-------|-------|-------|-------|----|--------|--------|
| | | HP | RPM | | 0" | 1/8" | 1/4" | 3/8" | 1/2" | 5/8" | 3/4" | 7/8" | 1" | 1 1/4" | 1 1/2" |
| 12 | A____-126-P---STFCD2 | 1/4 | 3450 | 0.24 | 1,926 | 1,803 | 1,688 | 1,533 | 1,236 | 960 | 765 | 603 | | | |
| | A____-124-O---STFCD3 | 1/4 | 1725 | 0.10 | 1,475 | 1,263 | | | | | | | | | |
| 14 | A____-142-N---STFCD2 | 1/4 | 3450 | 0.22 | 2,302 | 2,005 | 1,715 | 1,187 | 592 | | | | | | |
| | A____-146-P---STFCG2 | 3/4 | 3450 | 0.62 | 3,647 | 3,545 | 3,420 | 3,282 | 3,133 | 2,950 | 2,680 | 2,160 | | | |
| | A____-146-P---STFCD3 | 1/4 | 1725 | 0.08 | 1,798 | 1,540 | 746 | | | | | | | | |
| | A____-144-O---STFCD3 | 1/4 | 1725 | 0.16 | 2,263 | 1,975 | 765 | 493 | | | | | | | |
| | A____-144-O---STFCD4 | 1/4 | 1140 | 0.05 | 1,478 | 428 | | | | | | | | | |
| 16 | A____-162NA---STFCD3 | 1/4 | 1725 | 0.09 | 2,124 | 1,552 | 400 | | | | | | | | |
| | A____-166-P---STFCD3 | 1/4 | 1725 | 0.18 | 2,657 | 2,360 | 1,930 | 1,123 | 760 | 525 | | | | | |
| | A____-164-W---STFCD3 | 1/4 | 1725 | 0.27 | 3,239 | 2,940 | 2,650 | 1,145 | 813 | | | | | | |
| | A____-162NB---STFCD4 | 1/4 | 1140 | 0.06 | 2,046 | | | | | | | | | | |
| | A____-164-W---STFCD4 | 1/4 | 1140 | 0.06 | 2,128 | 1,695 | 433 | | | | | | | | |
| 18 | A____-184WA---STFCE3 | 1/2 | 1740 | 0.35 | 4,280 | 3,995 | 3,675 | 3,185 | 1,495 | 1,095 | 635 | | | | |
| | A____-182NA---STFCD3 | 1/4 | 1725 | 0.08 | 2,532 | 1,800 | 410 | | | | | | | | |
| | A____-188-Q---STFCD3 | 1/4 | 1725 | 0.28 | 3,346 | 3,100 | 2,660 | 1,985 | 1,530 | 1,160 | | | | | |
| | A____-183-L---STFCE3 | 1/2 | 1750 | 0.34 | 3,530 | 3,170 | 2,760 | 2,260 | 1,395 | 710 | | | | | |
| | A____-184WB---STFCE3 | 1/2 | 1725 | 0.37 | 4,081 | 3,735 | 3,390 | 2,975 | 1,335 | | | | | | |
| | A____-184WA---STFCD4 | 1/4 | 1185 | 0.12 | 2,915 | 2,465 | 960 | 310 | | | | | | | |
| | A____-182NB---STFCD4 | 1/4 | 1140 | 0.08 | 2,589 | 1,720 | | | | | | | | | |
| | A____-184WA---STFCF5 | 1/4 | 850 | 0.04 | 2,090 | 705 | | | | | | | | | |
| 20 | A____-208-Q---STFCH3 | 1 | 1750 | 0.98 | 6,082 | 5,805 | 5,515 | 5,125 | 2,850 | 2,350 | 2,000 | 1,755 | | | |
| | A____-202NB---STFCD3 | 1/4 | 1725 | 0.12 | 3,199 | 2,363 | 945 | | | | | | | | |
| | A____-202NA---STFCD3 | 1/4 | 1725 | 0.24 | 4,168 | 3,495 | 2,525 | 785 | | | | | | | |
| | A____-203-L---STFCF3 | 1/2 | 1725 | 0.52 | 4,905 | 4,510 | 4,100 | 3,665 | 2,015 | 1,135 | 925 | | | | |
| | A____-206-P---STFCF3 | 1/2 | 1725 | 0.50 | 4,985 | 4,600 | 4,175 | 3,520 | 2,190 | 1,445 | 1,305 | | | | |
| | A____-204-W---STFCG3 | 3/4 | 1725 | 0.78 | 6,305 | 5,900 | 5,525 | 5,130 | 4,565 | 1,970 | 1,560 | | | | |
| | A____-202NA---STFCD4 | 1/4 | 1140 | 0.07 | 2,728 | 945 | | | | | | | | | |
| | A____-203-L---STFCD4 | 1/4 | 1140 | 0.14 | 3,238 | 2,620 | 875 | | | | | | | | |
| | A____-206-P---STFCD4 | 1/4 | 1140 | 0.15 | 3,316 | 2,690 | 1,170 | 760 | | | | | | | |
| | A____-208-Q---STFCD4 | 1/4 | 1140 | 0.26 | 3,935 | 3,480 | 1,560 | 1,115 | | | | | | | |
| | A____-204-W---STFCD4 | 1/4 | 1140 | 0.22 | 4,114 | 3,525 | 1,420 | 830 | | | | | | | |
| | A____-208-Q---STFCD5 | 1/4 | 850 | 0.11 | 2,934 | 1,305 | 660 | | | | | | | | |
| 22 | A____-226-P---STFCH3 | 1 | 1750 | 0.98 | 7,170 | 6,775 | 6,350 | 5,905 | 5,425 | 4,500 | 2,930 | 2,450 | | | |
| | A____-222-N---STFCD3 | 1/4 | 1725 | 0.27 | 5,029 | 4,200 | 3,205 | 1,130 | | | | | | | |
| | A____-226-P---STFCD4 | 1/4 | 1140 | 0.27 | 4,647 | 3,990 | 2,400 | 1,555 | 915 | | | | | | |
| | A____-226-P---STFCD5 | 1/4 | 850 | 0.11 | 3,465 | 2,400 | 860 | | | | | | | | |

Size 22" not available in Series 02S or 02R.

Performance certified is for installation Type B: Free Inlet, Ducted Outlet.

Speed (RPM) shown is nominal. Performance is based on actual speed of test.

Performance ratings do not include the effects of appurtenances (accessories).

"G" (General Industrial) Duty construction available for models with shaded performance.

"H" (Heavy Industrial) Duty construction available for all models.



Rating Table – Series 01S, 01R, 02S, 02R

| Size | Model Code | Motor | | Peak Fan BHP | CFM @ STATIC PRESSURE | | | | | | | | | | |
|---------------------|---------------------|-------|------|--------------|-----------------------|--------|--------|--------|--------|--------|--------|--------|--------|--------|--------|
| | | HP | RPM | | 0" | 1/8" | 1/4" | 3/8" | 1/2" | 5/8" | 3/4" | 7/8" | 1" | 1 1/4" | 1 1/2" |
| 24 | A___-246-C---STFC2 | 3 | 3450 | 3.40 | 10,679 | 10,435 | 10,190 | 9,945 | 9,680 | 9,420 | 9,140 | 8,860 | 8,540 | 7,900 | 7,270 |
| | A___-242NA---STFCD3 | 1/4 | 1725 | 0.29 | 5,529 | 4,450 | 2,970 | | | | | | | | |
| | A___-246-C---STFCE3 | 1/3 | 1725 | 0.45 | 5,324 | 4,820 | 4,245 | 3,605 | 2,955 | 2,205 | 1,450 | | | | |
| | A___-242NB---STFCF3 | 1/2 | 1725 | 0.56 | 7,170 | 6,300 | 5,350 | 3,750 | 1,750 | | | | | | |
| | A___-242NC---STFCG3 | 3/4 | 1725 | 0.80 | 7,936 | 7,225 | 6,460 | 5,490 | 2,800 | | | | | | |
| | A___-246PA---STFCH3 | 1 | 1750 | 1.10 | 8,436 | 8,075 | 7,610 | 7,100 | 6,605 | 6,020 | 5,060 | 3,825 | 3,020 | 2,090 | |
| | A___-246PB---STFCI3 | 1 1/2 | 1750 | 1.50 | 9,529 | 9,140 | 8,740 | 8,310 | 7,800 | 7,085 | 6,070 | 4,160 | 3,500 | 2,590 | 1,860 |
| | A___-246PC---STFCJ3 | 2 | 1750 | 2.00 | 10,630 | 10,240 | 9,810 | 9,385 | 8,970 | 8,340 | 7,550 | 4,510 | 3,990 | 3,150 | 2,640 |
| | A___-244-W---STFCJ3 | 2 | 1750 | 2.10 | 11,067 | 10,610 | 10,090 | 9,705 | 9,225 | 8,670 | 7,880 | 4,100 | 3,330 | 2,560 | |
| | A___-242NB---STFCD4 | 1/4 | 1140 | 0.16 | 4,766 | 3,350 | | | | | | | | | |
| | A___-242NC---STFCD4 | 1/4 | 1140 | 0.23 | 5,245 | 4,155 | 1,560 | | | | | | | | |
| | A___-243-L---STFCE4 | 1/3 | 1140 | 0.34 | 5,655 | 4,985 | 4,230 | 1,820 | | | | | | | |
| | A___-244-W---STFCF4 | 1/2 | 1140 | 0.57 | 7,221 | 6,540 | 5,770 | 2,640 | 1,790 | | | | | | |
| | A___-246PC---STFCF4 | 1/2 | 1140 | 0.52 | 6,929 | 6,300 | 5,550 | 2,920 | 2,200 | | | | | | |
| | A___-242NC---STFCD5 | 1/4 | 850 | 0.09 | 3,910 | 1,315 | | | | | | | | | |
| A___-243-L---STFCD5 | 1/4 | 850 | 0.15 | 4,209 | 3,235 | 1,015 | | | | | | | | | |
| A___-244-W---STFCD5 | 1/4 | 850 | 0.24 | 5,384 | 4,420 | 1,490 | | | | | | | | | |
| 28 | A___-282ND---STFCD3 | 1/4 | 1725 | 0.28 | 6,724 | 5,000 | 2,750 | | | | | | | | |
| | A___-282NA---STFCF3 | 1/2 | 1725 | 0.45 | 7,928 | 6,705 | 5,385 | 3,630 | 1,580 | | | | | | |
| | A___-282NB---STFCG3 | 3/4 | 1725 | 0.71 | 10,032 | 8,910 | 7,820 | 6,440 | 4,260 | | | | | | |
| | A___-282NC---STFCH3 | 1 | 1750 | 1.00 | 10,571 | 9,600 | 8,590 | 7,450 | 5,225 | 2,900 | | | | | |
| | A___-286PB---STFCI3 | 1 1/2 | 1750 | 1.60 | 10,677 | 10,205 | 9,700 | 9,185 | 8,620 | 7,985 | 7,260 | 6,340 | 5,170 | 3,710 | 2,370 |
| | A___-286PA---STFCJ3 | 2 | 1750 | 2.30 | 12,643 | 12,120 | 11,600 | 11,080 | 10,500 | 9,870 | 9,180 | 8,330 | 6,730 | 4,650 | 3,340 |
| | A___-288-C---STFCK3 | 3 | 1750 | 3.00 | 14,283 | 13,790 | 13,330 | 12,925 | 12,430 | 11,710 | 10,840 | 9,800 | 8,500 | 4,560 | 3,590 |
| | A___-282NE---STFCD4 | 1/4 | 1140 | 0.17 | 5,823 | 3,530 | | | | | | | | | |
| | A___-282NC---STFCD4 | 1/4 | 1140 | 0.27 | 6,860 | 5,320 | 2,230 | | | | | | | | |
| | A___-283-L---STFCG4 | 3/4 | 1140 | 0.77 | 8,739 | 8,035 | 7,245 | 6,250 | 3,700 | 2,190 | 1,510 | | | | |
| | A___-284-W---STFCH4 | 1 | 1160 | 1.10 | 10,991 | 10,240 | 9,470 | 8,630 | 7,600 | 3,310 | 2,600 | | | | |
| | A___-282NC---STFCD5 | 1/4 | 850 | 0.11 | 5,110 | 2,200 | | | | | | | | | |
| | A___-286PB---STFCD5 | 1/4 | 850 | 0.18 | 5,166 | 4,105 | 2,185 | | | | | | | | |
| | A___-286PA---STFCD5 | 1/4 | 850 | 0.26 | 6,155 | 5,035 | 2,925 | 1,435 | | | | | | | |
| | A___-283-L---STFCE5 | 1/3 | 850 | 0.31 | 6,470 | 5,450 | 3,790 | 1,400 | | | | | | | |
| A___-284-W---STFCF5 | 1/2 | 850 | 0.44 | 8,040 | 7,030 | 5,800 | 2,150 | | | | | | | | |
| A___-284-W---STFCD6 | 1/4 | 690 | 0.23 | 6,526 | 5,225 | 1,825 | | | | | | | | | |
| 32 | A___-322NB---STFCH3 | 1 | 1750 | 1.00 | 12,627 | 11,320 | 9,915 | 8,200 | 5,130 | | | | | | |
| | A___-322NA---STFCJ3 | 2 | 1750 | 2.00 | 16,451 | 15,390 | 14,270 | 13,060 | 11,750 | 10,190 | 6,310 | | | | |
| | A___-326PB---STFCK3 | 3 | 1750 | 3.00 | 16,054 | 15,570 | 14,900 | 14,085 | 13,220 | 12,300 | 11,220 | 10,060 | 8,830 | 6,880 | 5,700 |
| | A___-326PA---STFCM3 | 7 1/2 | 1750 | 6.84 | 23,215 | 22,705 | 22,190 | 21,675 | 21,155 | 20,625 | 20,080 | 19,515 | 18,900 | 17,345 | |
| | A___-322NB---STFCD4 | 1/4 | 1140 | 0.27 | 8,184 | 6,040 | | | | | | | | | |
| | A___-322NA---STFCF4 | 1/2 | 1140 | 0.55 | 10,692 | 9,000 | 6,930 | 2,350 | | | | | | | |
| | A___-326PB---STFCH4 | 1 | 1160 | 0.94 | 10,796 | 9,800 | 8,630 | 6,910 | 5,530 | 4,170 | 3,370 | 2,600 | 1,900 | | |
| | A___-323-L---STFCI4 | 1 1/2 | 1160 | 1.60 | 13,293 | 12,370 | 11,430 | 10,460 | 8,900 | 4,660 | 3,490 | | | | |
| | A___-324-W---STFCJ4 | 2 | 1160 | 2.30 | 16,010 | 15,190 | 14,280 | 13,410 | 12,500 | 6,375 | 5,300 | 4,600 | 3,850 | | |
| | A___-322NA---STFCD5 | 1/4 | 850 | 0.23 | 7,972 | 5,550 | | | | | | | | | |
| | A___-323-L---STFCF5 | 1/2 | 850 | 0.63 | 9,741 | 8,470 | 7,000 | 2,930 | | | | | | | |
| | A___-326PA---STFCG5 | 3/4 | 850 | 0.73 | 11,275 | 10,210 | 9,025 | 4,615 | 3,675 | | | | | | |
| | A___-324-W---STFCH5 | 1 | 870 | 0.94 | 12,007 | 10,870 | 9,700 | 4,780 | 3,400 | | | | | | |
| | A___-326PB---STFCD6 | 1/4 | 690 | 0.19 | 6,422 | 4,380 | 2,160 | | | | | | | | |
| | A___-323-L---STFCE6 | 1/3 | 690 | 0.34 | 7,907 | 6,300 | 2,350 | | | | | | | | |
| A___-324-W---STFCF6 | 1/2 | 690 | 0.48 | 9,523 | 8,050 | 3,510 | 2,060 | | | | | | | | |

Performance certified is for installation Type B: Free Inlet, Ducted Outlet.

Speed (RPM) shown is nominal. Performance is based on actual speed of test.

Performance ratings do not include the effects of appurtenances (accessories).

"G" (General Industrial) Duty construction available for models with shaded performance.

"H" (Heavy Industrial) Duty construction available for all models.



Rating Table – Series 01S, 01R, 02S, 02R

| Size | Model Code | Motor | | Peak Fan BHP | CFM @ STATIC PRESSURE | | | | | | | | | | |
|---------------------|---------------------|-------|------|--------------|-----------------------|--------|--------|--------|--------|--------|--------|--------|--------|--------|--------|
| | | HP | RPM | | 0" | 1/8" | 1/4" | 3/8" | 1/2" | 5/8" | 3/4" | 7/8" | 1" | 1 1/4" | 1 1/2" |
| 36 | A___-362ND---STFCH3 | 1 | 1750 | 1.10 | 15,418 | 13,500 | 11,290 | 8,110 | 5,210 | | | | | | |
| | A___-362NC---STFCJ3 | 2 | 1750 | 2.00 | 18,886 | 17,420 | 15,840 | 14,150 | 12,070 | 9,210 | 6,520 | | | | |
| | A___-362NB---STFCK3 | 3 | 1750 | 2.80 | 21,922 | 20,680 | 19,270 | 17,830 | 16,600 | 15,000 | 13,100 | 10,200 | 5,770 | | |
| | A___-368CB---STFCK3 | 3 | 1750 | 3.00 | 15,666 | 15,020 | 14,300 | 13,600 | 12,980 | 12,330 | 11,700 | 11,060 | 10,430 | 9,150 | 7,850 |
| | A___-366PC---STFCK3 | 3 | 1750 | 3.00 | 18,685 | 18,060 | 17,300 | 16,560 | 15,730 | 14,770 | 13,630 | 12,400 | 11,290 | 9,270 | 6,450 |
| | A___-366PA---STFCL3 | 5 | 1750 | 5.00 | 24,112 | 23,350 | 22,600 | 21,780 | 20,930 | 20,000 | 18,800 | 17,600 | 16,000 | 13,200 | 11,000 |
| | A___-368CC---STFCL3 | 5 | 1750 | 4.80 | 18,575 | 18,100 | 17,600 | 17,020 | 16,400 | 15,800 | 15,200 | 14,530 | 14,120 | 13,280 | 12,250 |
| | A___-368CD---STFCM3 | 7 1/2 | 1750 | 7.20 | 22,636 | 22,080 | 21,570 | 21,000 | 20,400 | 19,830 | 19,250 | 18,610 | 18,000 | 16,780 | 15,430 |
| | A___-368CA---STFCN3 | 10 | 1780 | 9.80 | 27,800 | 27,250 | 26,800 | 26,300 | 25,800 | 25,300 | 24,700 | 24,200 | 23,500 | 22,100 | 20,500 |
| | A___-362ND---STFCD4 | 1/4 | 1140 | 0.29 | 9,952 | 6,600 | | | | | | | | | |
| | A___-362NC---STFCF4 | 1/2 | 1140 | 0.54 | 12,212 | 9,900 | 6,380 | | | | | | | | |
| | A___-362NA---STFCH4 | 1 | 1160 | 1.10 | 16,178 | 14,450 | 12,600 | 10,240 | 5,670 | | | | | | |
| | A___-366PA---STFCI4 | 1 1/2 | 1160 | 1.50 | 15,902 | 14,720 | 13,360 | 11,730 | 9,730 | 7,640 | 5,770 | 4,580 | 3,720 | | |
| | A___-366PB---STFCK4 | 3 | 1160 | 2.40 | 20,003 | 18,850 | 17,970 | 16,500 | 14,970 | 12,340 | 8,400 | 6,660 | 5,400 | | |
| | A___-364-W---STFCL4 | 5 | 1160 | 4.20 | 23,851 | 22,850 | 21,870 | 20,880 | 19,820 | 18,540 | 16,800 | 8,180 | 7,470 | 6,030 | 4,900 |
| | A___-362NC---STFCD5 | 1/4 | 850 | 0.22 | 9,105 | 5,410 | | | | | | | | | |
| | A___-362NA---STFCF5 | 1/2 | 850 | 0.43 | 11,784 | 9,315 | 4,700 | | | | | | | | |
| | A___-363-L---STFCH5 | 1 | 870 | 1.00 | 14,170 | 12,970 | 11,610 | 9,970 | 5,600 | | | | | | |
| | A___-364-W---STFCI5 | 1 1/2 | 870 | 1.60 | 17,889 | 16,660 | 15,210 | 13,480 | 6,300 | 5,040 | | | | | |
| | A___-362NA---STFCD6 | 1/4 | 690 | 0.23 | 9,566 | 6,300 | | | | | | | | | |
| A___-363-L---STFCF6 | 1/2 | 690 | 0.53 | 11,239 | 9,550 | 7,570 | 3,130 | | | | | | | | |
| A___-364-W---STFCG6 | 3/4 | 690 | 0.88 | 14,188 | 12,530 | 10,300 | 4,180 | 3,130 | | | | | | | |
| 40 | A___-402NC---STFCJ3 | 2 | 1750 | 2.10 | 21,648 | 19,650 | 17,930 | 16,030 | 13,800 | 11,000 | 8,000 | 5,370 | | | |
| | A___-402NB---STFCK3 | 3 | 1750 | 3.00 | 24,600 | 22,820 | 21,200 | 19,370 | 17,200 | 14,450 | 10,600 | 7,200 | 4,550 | | |
| | A___-402ND---STFCH4 | 1 | 1160 | 0.94 | 17,457 | 14,880 | 12,000 | 7,000 | | | | | | | |
| | A___-402NA---STFCJ4 | 2 | 1160 | 2.20 | 22,750 | 20,730 | 18,750 | 16,600 | 13,080 | 7,400 | 4,300 | | | | |
| | A___-406PA---STFCK4 | 3 | 1160 | 3.00 | 23,707 | 22,500 | 21,070 | 19,500 | 17,700 | 15,300 | 12,600 | 10,200 | 8,030 | 6,100 | |
| | A___-406PB---STFCL4 | 5 | 1160 | 4.90 | 27,454 | 26,470 | 25,530 | 24,560 | 23,400 | 22,070 | 20,200 | 16,660 | 12,400 | 10,030 | 8,450 |
| | A___-404-W---STFCM4 | 7 1/2 | 1160 | 8.00 | 33,300 | 32,220 | 31,130 | 30,000 | 28,800 | 27,550 | 26,160 | 24,730 | | | |
| | A___-402NA---STFCH5 | 1 | 870 | 0.94 | 17,077 | 14,400 | 11,370 | 4,670 | | | | | | | |
| | A___-406PA---STFCI5 | 1 1/2 | 870 | 1.30 | 17,792 | 16,020 | 13,880 | 10,700 | 7,270 | 5,410 | 3,940 | | | | |
| | A___-403-L---STFCJ5 | 2 | 870 | 2.20 | 20,400 | 19,080 | 17,630 | 16,050 | 14,030 | 8,650 | 6,000 | 4,800 | | | |
| | A___-404-W---STFCK5 | 3 | 870 | 3.50 | 25,200 | 23,800 | 22,420 | 20,780 | 18,800 | 9,270 | 7,990 | 7,050 | | | |
| | A___-406PA---STFCG6 | 3/4 | 690 | 0.63 | 14,111 | 11,730 | 8,000 | 4,530 | | | | | | | |
| A___-403-L---STFCH6 | 1 | 690 | 1.00 | 16,250 | 14,400 | 12,400 | 9,300 | 4,350 | | | | | | | |
| A___-404-W---STFCI6 | 1 1/2 | 690 | 1.70 | 19,800 | 17,960 | 15,960 | 7,330 | 5,950 | | | | | | | |
| 44 | A___-442NC---STFCK3 | 3 | 1750 | 2.90 | 26,250 | 24,130 | 21,960 | 19,610 | 17,000 | 14,250 | 11,630 | 9,080 | 6,700 | | |
| | A___-442NE---STFCL3 | 5 | 1750 | 5.20 | 34,427 | 32,730 | 30,880 | 29,000 | 26,930 | 24,700 | 22,350 | 19,700 | 16,100 | 9,530 | |
| | A___-442ND---STFCH4 | 1 | 1160 | 0.97 | 19,031 | 16,100 | 12,950 | 8,000 | | | | | | | |
| | A___-442NB---STFCJ4 | 2 | 1160 | 2.20 | 25,400 | 22,800 | 20,100 | 16,970 | 11,400 | | | | | | |
| | A___-442NA---STFCK4 | 3 | 1160 | 3.50 | 30,103 | 27,550 | 25,300 | 23,000 | 20,540 | 16,600 | 9,200 | | | | |
| | A___-446PA---STFCL4 | 5 | 1160 | 5.50 | 31,323 | 30,200 | 28,800 | 27,630 | 26,170 | 24,700 | 23,050 | 21,000 | 17,000 | 13,300 | 10,800 |
| | A___-442NB---STFCH5 | 1 | 870 | 0.98 | 19,400 | 17,060 | 11,600 | 4,900 | | | | | | | |
| | A___-442NA---STFCI5 | 1 1/2 | 870 | 1.50 | 22,733 | 19,500 | 16,550 | 11,600 | 5,700 | | | | | | |
| | A___-446-P---STFCJ5 | 2 | 870 | 2.30 | 23,223 | 21,570 | 19,770 | 17,700 | 14,150 | 11,080 | 8,950 | 7,210 | 5,500 | | |
| | A___-443-L---STFCJ5 | 3 | 870 | 3.40 | 26,600 | 24,950 | 23,450 | 21,820 | 19,970 | 17,620 | 14,070 | 9,200 | 9,350 | | |
| | A___-444-W---STFCL5 | 5 | 870 | 5.50 | 33,230 | 31,700 | 30,150 | 28,400 | 26,400 | 24,270 | 12,400 | 11,170 | 10,050 | 7,450 | |
| | A___-446-P---STFCH6 | 1 | 690 | 1.20 | 18,632 | 16,510 | 14,000 | 9,550 | 6,960 | | | | | | |
| A___-443-L---STFCI6 | 1 1/2 | 690 | 1.60 | 20,570 | 18,730 | 16,670 | 14,060 | 7,730 | | | | | | | |
| A___-444-W---STFCK6 | 3 | 690 | 2.70 | 26,356 | 24,450 | 22,300 | 19,620 | 9,250 | 8,000 | 6,400 | | | | | |

Performance certified is for installation Type B: Free Inlet, Ducted Outlet.

Speed (RPM) shown is nominal. Performance is based on actual speed of test.

Performance ratings do not include the effects of appurtenances (accessories).

"G" (General Industrial) Duty construction available for models with shaded performance.

"H" (Heavy Industrial) Duty construction available for all models.



Rating Table – Series 01S, 01R, 02S, 02R

| Size | Model Code | Blade Angle | Motor | | Peak Fan BHP | CFM @ STATIC PRESSURE | | | | | | | | | | | |
|------|---------------------|-------------|-------|------|--------------|-----------------------|---------|---------|--------|--------|--------|--------|--------|--------|--------|--------|--|
| | | | HP | RPM | | 0" | 1/8" | 1/4" | 3/8" | 1/2" | 5/8" | 3/4" | 7/8" | 1" | 1 1/4" | 1 1/2" | |
| 48* | A___-482NC---STFCJ4 | --- | 2 | 1160 | 2.20 | 27,871 | 24,930 | 22,200 | 19,050 | 15,270 | 9,970 | | | | | | |
| | A___-482NB---STFCJ4 | --- | 3 | 1160 | 3.10 | 31,426 | 28,900 | 26,200 | 23,200 | 19,530 | 13,500 | 8,430 | | | | | |
| | A___-482NA---STFCL4 | --- | 5 | 1160 | 5.40 | 35,612 | 34,550 | 33,130 | 30,660 | 28,000 | 24,650 | 19,470 | 12,500 | 9,520 | | | |
| | A___-486-C---STFCM4 | --- | 7 1/2 | 1160 | 7.40 | 37,700 | 36,500 | 35,170 | 33,680 | 32,050 | 30,330 | 28,530 | 26,580 | 24,350 | 18,050 | 13,300 | |
| | A___-484AA170STFCM4 | 17° | 7 1/2 | 1160 | 8.04 | 39,093 | 37,670 | 36,195 | 34,510 | 32,550 | 30,510 | 28,487 | 26,295 | 18,343 | 15,199 | 8,820 | |
| | A___-482NC---STFCH5 | --- | 1 | 870 | 1.00 | 20,779 | 17,060 | 12,800 | 6,100 | | | | | | | | |
| | A___-482NA---STFCJ5 | --- | 2 | 870 | 2.20 | 26,709 | 24,930 | 21,600 | 16,950 | 8,870 | | | | | | | |
| | A___-486-C---STFCJ5 | --- | 3 | 870 | 3.30 | 28,600 | 27,130 | 25,150 | 22,800 | 20,200 | 17,200 | 13,200 | 9,970 | 7,700 | | | |
| | A___-486AA142STFCJ5 | 14.2° | 3 | 870 | 3.12 | 27,642 | 26,114 | 24,430 | 22,640 | 20,700 | 18,750 | 16,115 | 12,800 | 10,140 | 6,950 | | |
| | A___-483-L---STFCL5 | --- | 5 | 870 | 5.00 | 32,700 | 31,530 | 29,730 | 27,800 | 25,800 | 23,230 | 14,830 | 12,170 | 10,500 | 6,800 | | |
| | A___-482NA---STFCH6 | --- | 1 | 690 | 1.10 | 21,183 | 18,470 | 12,900 | | | | | | | | | |
| | A___-484AA160STFCJ6 | 16° | 1 1/2 | 690 | 1.58 | 22,320 | 19,744 | 16,427 | 12,406 | 6,750 | 691 | | | | | | |
| | A___-484AA200STFCJ6 | 20° | 2 | 690 | 2.01 | 25,518 | 22,999 | 19,646 | 15,932 | 10,602 | 1,490 | | | | | | |
| | A___-486AA230STFCJ6 | 23° | 3 | 690 | 3.19 | 30,013 | 27,314 | 24,860 | 22,542 | 19,806 | 15,791 | 9,864 | 2,099 | | | | |
| 54 | A___-542NB---STFCJ4 | --- | 3 | 1160 | 2.90 | 34,300 | 31,060 | 27,450 | 22,850 | 16,200 | 11,600 | 7,200 | | | | | |
| | A___-542NA---STFCL4 | --- | 5 | 1160 | 5.10 | 43,200 | 40,750 | 37,500 | 34,300 | 30,800 | 26,950 | 19,500 | 13,500 | 9,500 | | | |
| | A___-542NC---STFCM4 | --- | 7 1/2 | 1160 | 7.10 | 48,500 | 46,050 | 43,200 | 40,250 | 37,000 | 33,350 | 28,750 | 18,400 | 13,000 | | | |
| | A___-544BA090STFCN4 | 9° | 10 | 1160 | 11.30 | 47,950 | 45,600 | 43,350 | 41,000 | 34,300 | 28,400 | 25,700 | 20,100 | | | | |
| | A___-542NA---STFCJ5 | --- | 2 | 870 | 2.10 | 32,700 | 28,800 | 24,330 | 18,550 | 10,000 | | | | | | | |
| | A___-542NC---STFCJ5 | --- | 3 | 870 | 3.20 | 36,500 | 32,950 | 28,900 | 24,000 | 13,200 | | | | | | | |
| | A___-544BA110STFCJ5 | 11° | 5 | 870 | 5.50 | 38,800 | 35,850 | 32,650 | 24,500 | 18,000 | 12,050 | | | | | | |
| | A___-544BA165STFCM5 | 16.5° | 7 1/2 | 870 | 8.20 | 46,930 | 44,200 | 41,470 | 38,530 | 28,600 | 19,000 | 14,150 | | | | | |
| | A___-543-L---STFCM5 | --- | 7 1/2 | 870 | 8.40 | 48,785 | 47,000 | 45,000 | 43,000 | 40,900 | 38,750 | 36,000 | 32,150 | 20,450 | | | |
| | A___-546BA175STFCN5 | 17.5° | 10 | 870 | 11.00 | 51,770 | 49,550 | 47,250 | 44,550 | 40,570 | 28,480 | 21,950 | 17,900 | 16,200 | | | |
| | A___-542NA---STFCH6 | --- | 1 | 690 | 1.00 | 25,700 | 20,500 | 12,500 | | | | | | | | | |
| | A___-544BA080STFCJ6 | 8° | 2 | 690 | 2.20 | 27,500 | 22,970 | 14,800 | | | | | | | | | |
| | A___-544BA140STFCJ6 | 14° | 3 | 690 | 3.30 | 34,150 | 30,600 | 25,800 | 13,700 | | | | | | | | |
| | A___-544BA175STFCL6 | 17.5° | 5 | 690 | 5.50 | 41,070 | 38,300 | 34,830 | 24,650 | 16,130 | | | | | | | |
| 60 | A___-602NB---STFCL4 | --- | 5 | 1160 | 5.20 | 46,750 | 44,050 | 41,100 | 36,200 | 31,450 | 26,100 | 20,500 | 14,700 | | | | |
| | A___-602NC---STFCM4 | --- | 7 1/2 | 1160 | 7.20 | 54,200 | 51,370 | 48,200 | 44,300 | 40,350 | 34,600 | 27,400 | 21,100 | 14,000 | | | |
| | A___-602NA---STFCN4 | --- | 10 | 1160 | 9.80 | 61,820 | 58,600 | 55,300 | 52,300 | 49,100 | 45,400 | 40,900 | 34,300 | 24,700 | 15,900 | | |
| | A___-608-C---STFCP4 | --- | 20 | 1160 | 17.60 | 54,590 | 53,050 | 51,550 | 50,000 | 48,500 | 47,000 | 45,450 | 44,000 | 42,650 | 40,000 | 37,500 | |
| | A___-602NB---STFCJ5 | --- | 2 | 870 | 2.20 | 35,100 | 31,370 | 25,350 | 17,970 | 10,600 | | | | | | | |
| | A___-602NC---STFCJ5 | --- | 3 | 870 | 3.00 | 40,520 | 36,850 | 31,270 | 24,150 | 14,850 | | | | | | | |
| | A___-602BA150STFCL5 | 15° | 5 | 870 | 5.60 | 49,900 | 45,630 | 41,430 | 36,600 | 30,650 | 14,850 | | | | | | |
| | A___-604BA130STFCM5 | 13° | 7 1/2 | 870 | 8.40 | 53,880 | 51,000 | 48,500 | 45,700 | 42,480 | 38,050 | 29,780 | 23,750 | | | | |
| | A___-608-C---STFCM5 | --- | 7 1/2 | 870 | 8.10 | 40,950 | 39,050 | 37,050 | 34,850 | 32,700 | 30,750 | 29,100 | 27,700 | 26,300 | 21,250 | 16,050 | |
| | A___-604BA165STFCN5 | 16.5° | 10 | 870 | 10.90 | 61,370 | 58,300 | 55,530 | 52,950 | 50,050 | 47,000 | 42,900 | 32,150 | 22,750 | | | |
| | A___-603-L---STFCO5 | --- | 15 | 870 | 15.00 | 66,850 | 65,000 | 62,950 | 60,600 | 58,200 | 55,750 | 53,700 | 50,500 | 43,750 | 25,700 | 21,000 | |
| | A___-606BA175STFCO5 | 17.5° | 15 | 870 | 16.30 | 66,670 | 65,200 | 63,600 | 61,950 | 60,000 | 57,720 | 55,000 | 51,900 | 47,780 | 28,600 | | |
| | A___-604BA100STFCJ6 | 10° | 3 | 690 | 3.30 | 37,970 | 34,250 | 29,950 | 23,620 | 16,100 | | | | | | | |
| | A___-604BA165STFCL6 | 16.5° | 5 | 690 | 5.50 | 48,600 | 44,900 | 41,400 | 37,900 | 31,670 | 18,500 | 11,900 | | | | | |
| | A___-603-L---STFCM6 | --- | 7 1/2 | 690 | 7.60 | 53,000 | 50,500 | 47,730 | 44,950 | 41,500 | 37,500 | 28,400 | 18,000 | 15,800 | | | |
| | A___-606BA175STFCM6 | 17.5° | 7 1/2 | 690 | 8.10 | 52,800 | 50,950 | 48,780 | 46,200 | 42,750 | 37,850 | 25,200 | | | | | |
| 72 | A___-724AA140STFCN5 | 14° | 10 | 870 | 10.90 | 80,863 | 75,750 | 70,000 | 63,650 | 55,750 | 47,150 | 40,000 | 34,100 | 27,300 | | | |
| | A___-724AA190STFCO5 | 19° | 15 | 870 | 16.80 | 96,768 | 92,700 | 88,250 | 83,300 | 77,150 | 67,650 | 55,700 | 48,000 | 40,500 | 20,600 | | |
| | A___-724AA230STFCP5 | 23° | 20 | 870 | 23.20 | 108,156 | 104,350 | 100,000 | 95,000 | 89,850 | 84,000 | 72,000 | 54,250 | 48,850 | 32,600 | | |
| | A___-724AA140STFCL6 | 14° | 5 | 690 | 5.40 | 64,129 | 58,150 | 49,300 | 39,150 | 29,650 | 22,650 | | | | | | |
| | A___-724AA190STFCM6 | 19° | 7 1/2 | 690 | 8.40 | 76,706 | 71,600 | 64,500 | 56,100 | 42,000 | 33,000 | 20,300 | | | | | |
| | A___-724AA230STFCN6 | 23° | 10 | 690 | 11.20 | 85,775 | 80,850 | 74,600 | 67,100 | 48,500 | 38,550 | 29,400 | | | | | |
| | A___-724AA145STFCJ7 | 14.5° | 3 | 575 | 3.30 | 54,107 | 46,200 | 34,100 | 23,650 | 12,000 | | | | | | | |
| | A___-724AA205STFCL7 | 20.5° | 5 | 575 | 5.50 | 66,797 | 60,400 | 51,350 | 34,000 | 22,350 | | | | | | | |

Performance certified is for installation Type B: Free Inlet, Ducted Outlet.
 Speed (RPM) shown is nominal. Performance is based on actual speed of test.
 Performance ratings do not include the effects of appurtenances (accessories).
"G" (General Industrial) Duty construction available for models with shaded performance.
"H" (Heavy Industrial) Duty construction available for all models.

*48" AA prop data AMCA Certified for the Series 02S and 02R fans only.

