

## Installation Guide

### INLINE CENTRIFUGAL FAN

VK 100  
VK 125  
VK 150  
VK 200  
VK 250  
VK 315



#### Tools required



Pencil



Drill  
Ø 6 mm



Screwdriver



Dowel 4 pcs  
NTW 6/35



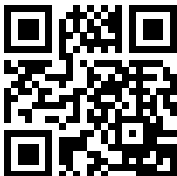
Screws 4 pcs  
4/35

**VK:** basic model.

**U:** modification with a speed controller and electronic thermostat, integrated temperature sensor and power cable with a plug.

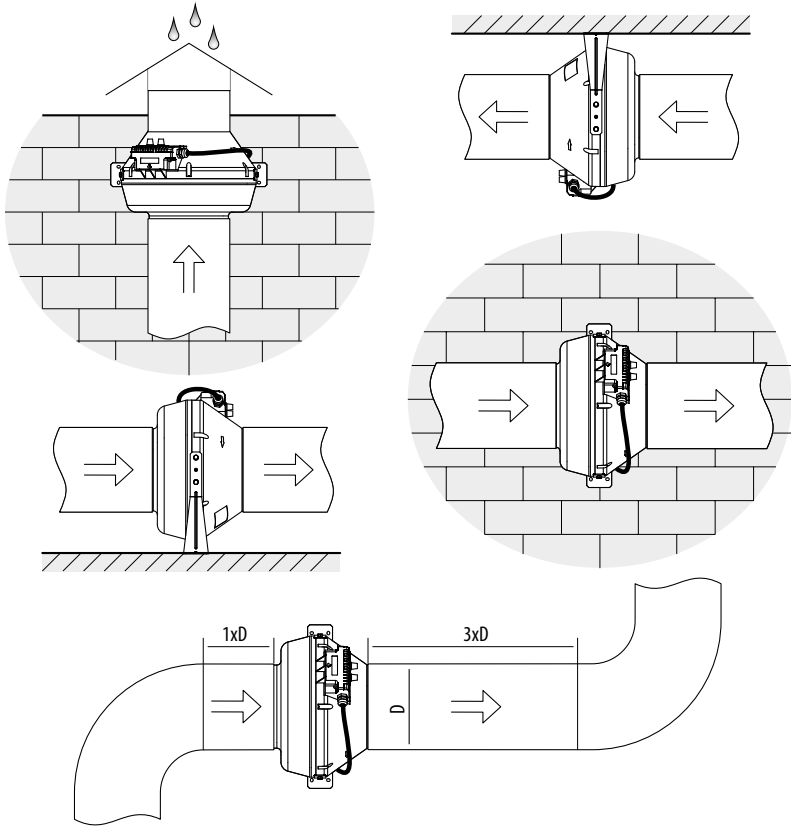
**P:** modification with a speed controller and power cable with a plug.

**Radon:** modification with a sealed casing.



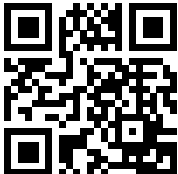
## TYPICAL FAN INSTALLATION

- The fans are designed for duct mounting in any point of the ventilation system with the casing mounted at any angle.
- In case of vertical mounting a protective outer hood must be installed on the top.
- Fixation to the floor wall or ceiling is performed with the supplied mounting brackets.



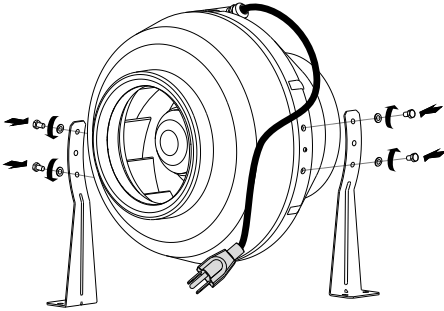
To attain the best performance of the ventilation system and to minimize turbulence-induced air pressure losses while mounting connect a straight air duct section on both sides of the unit. Minimum straight air duct length:

- equal to 1 air duct diameter on intake side;
- equal to 3 air duct diameters on outlet side.

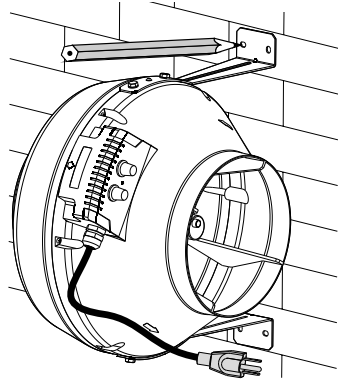


## FAN INSTALLATION

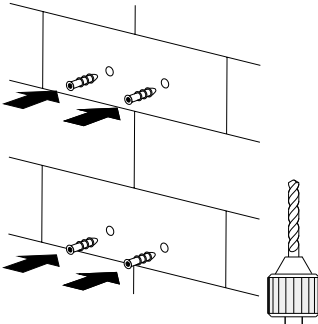
1. Присоедините кронштейны к корпусу



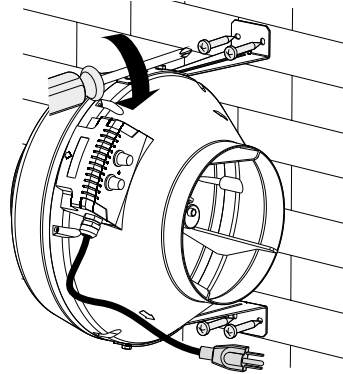
2. Mark fastening holes



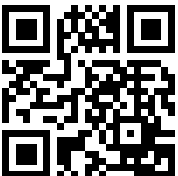
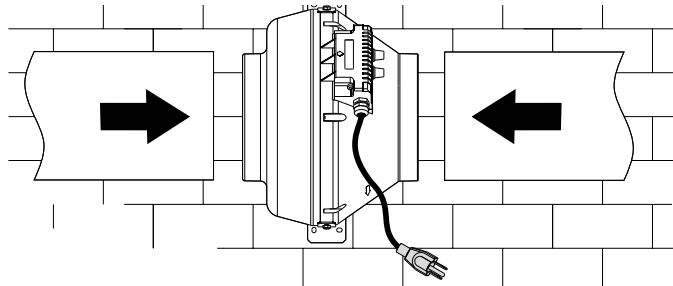
3. Drill fastening holes



4. Fix the fan



5. Connect air ducts

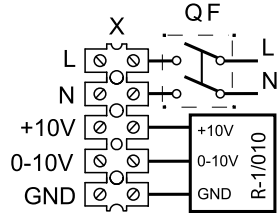
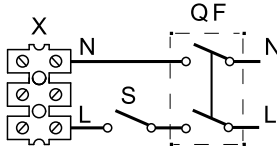
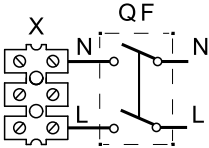


**FAN CONNECTION**

VK 100/125/150/200/250/315

VK

VK EC



VK 100/125/150/200/250/315

U / P / Radon

