

## 7½ - 12½ TON PACKAGED AIR CONDITIONERS

UP TO 11.3 EER

Cooling Capacity: 88,000 — 146,000 BTU/h



### ■ Contents

Nomenclature .....	2
Product Specifications .....	4
Expanded Cooling Data .....	8
Airflow Data .....	16
Crankcase Heater .....	20
Electrical Data / Heat Kit Data .....	21
Dimensions .....	29
Wiring Diagrams .....	34
– for Models with DDC Controls .....	42
Accessories .....	46

### ■ Standard Features

- R-410A chlorine-free refrigerant
- High-efficiency scroll compressors
- Two-stage cooling
- Copper tube / aluminum fin coils (7½ - 10 Ton)
- Micro-Channel indoor & outdoor coils (12½ Ton)
- Power block for field wiring
- High- and low-pressure switches
- High-capacity, steel-cased filter drier
- Heater kits with single-point entry
- 24-volt terminal strip
- Units meet the performance outlined in Table 6.8.1-1 of ASHRAE Standard 90.1-2013
- AHRI Certified; ETL Listed

### ■ Cabinet Features

- Heavy-gauge, galvanized-steel cabinet with UV-resistant powder-paint finish
- Built-in filter rack with standard 2” filters
- Convertible airflow orientation
- Easy to service
- Full perimeter rail
- Sloped drain pan



\* Complete warranty details available from your local dealer or at [www.daikincomfort.com](http://www.daikincomfort.com).

		D	C	C	090	045	3	V	*	*	*	A	*
		1	2	3	4,5,6	7,8,9	10	11	12	13	14	15	16
													<b>REVISION LEVELS</b>
													Major & Minor
<b>BRAND</b>													<b>FACTORY-INSTALLED OPTIONS</b>
D Daikin													X No Options
<b>CONFIGURATION</b>													A Non-powered convenience outlet
C Standard Efficiency (6 - 25 Tons)													B Powered convenience outlet
S Standard Efficiency (3 - 5 Tons)													C Low-ambient kit
T High Efficiency (3 - 5 Tons)													D Return air smoke detector
<b>APPLICATION</b>													E Supply air smoke detector
C Cooling <sup>1</sup>													F Non-powered convenience outlet; Low-ambient kit
G Gas Heat													G Non-powered convenience outlet; Return air smoke detector
H Heat Pump <sup>1</sup>													H Non-powered convenience outlet; Supply air smoke detector
<b>NOMINAL COOLING CAPACITY</b>													J Non-powered convenience outlet; Return & Supply air smoke detectors
036	3 Tons	102	8½ Tons	300 25 Tons									
048	4 Tons	120	10 Tons										
060	5 Tons	150	12½ tons										
072	6 Tons	180	15 Tons										
090	7½ Tons	240	20 Tons										
<b>NOMINAL HEATING CAPACITY</b>													K Non-powered convenience outlet; Low-ambient kit; Supply air smoke detector
Gas/Electric		A/C H/P		Factory-Installed		Electric Heat							
045	45,000 BTU/h	XXX	No Heat										
090	90,000 BTU/h	010	10 kW	030	30 kW								
115	115,000 BTU/h	015	15 kW	031	30 kW								
140	140,000 BTU/h	016	15 kW	045	45 kW								
210	210,000 BTU/h	018	18 kW	046	45 kW								
350	350,000 BTU/h	020	20 kW	060	60 kW								
400	400,000 BTU/h	025	25 kW										
See product specifications for heat size(s) available for each capacity.													L Non-powered convenience outlet; Low-ambient kit Return & Supply air smoke detectors
<b>VOLTAGE</b>													M Powered convenience outlet; Low-ambient kit
1	208-230/1/60 (DS* & DT* 3-5 Tons models only)			4	460/3/60								
3	208-230/3/60			7	575/3/60								
<b>SUPPLY FAN/DRIVE TYPE/MOTOR</b>													N Powered convenience outlet; Return air smoke detector
B	Belt Drive (3-5 Tons single speed models only)			V	Two-Speed Belt Drive (6-25 Tons only)								
D	Direct Drive (3-5 Tons single speed models only)			W	High Static (6-25 Tons two-speed Belt Drive models only)								
H	High Static (3-5 Tons single-speed Belt Drive models only)			X	No Options								
<b>FACTORY-INSTALLED OPTIONS</b>													O Powered convenience outlet; Return & Supply air smoke detectors
A	Ultra Low-Leak Downflow Economizer			R	Ultra Low-Leak Downflow Economizer; DDC-BACnet protocol;								
B	DDC-BACnet protocol				Disconnect Switch (non-fused)								
F	Ultra Low-Leak Downflow Economizer; DDC-BACnet protocol			V	Low-Leak Downflow Economizer								
H	Disconnect Switch (non-fused)			W	Low-Leak Downflow Economizer								
J	Ultra Low-Leak Downflow Economizer; Disconnect Switch (non-fused)			X	No Options								
M	Disconnect Switch (non-fused); DDC-BACnet protocol												
<b>Note: Not all options available for all products.</b>													P Powered convenience outlet; Supply air smoke detector
<sup>1</sup> X= No Options in character 13th													Q Powered convenience outlet; Low-ambient kit; Return air smoke detector
													R Powered convenience outlet; Low-ambient kit; Supply air smoke detector
													T Powered convenience outlet; Low-ambient kit; Return & Supply air smoke detectors
													U Non-powered convenience outlet; Low-ambient kit; Return air smoke detector
													V Low-ambient kit; Return air smoke detector
													W Low-ambient kit; Supply air smoke detector
													Y Low-ambient kit; Return & Supply air smoke detectors
													Z Return & Supply air smoke detectors
													<b>FACTORY-INSTALLED OPTIONS</b>
													X Standard Aluminized Heat Exchanger
													S Stainless-Steel Heat Exchanger
													D Hinged Panels
													K Stainless-Steel Heat Exchanger; Hinged Panels
													B Phase Monitor
													J Stainless Steel Heat Exchanger; Phase Monitor
													M Hinged Panel; Phase Monitor
													L Stainless-Steel Heat Exchanger; Hinged Panels; Phase Monitor

**FACTORY-INSTALLED OPTIONS**

- **Stainless-Steel Heat Exchanger (Gas units only):** A tubular heat exchanger made of 409-type stainless steel is installed in the unit.
- **Low-Ambient Kit:** Allows for cooling operation at lower outdoor temperatures. On the 3- to 6-ton units, cooling operation is extended from 60°F ambient temperature to 35°F outside air temperature. On 7½ -20 ton units, cooling operation is extended from 35°F ambient temperature to 0°F outside air temperature. For 25 ton units, cooling operation is extended from 24°F ambient temperature to 0°F outside air temperature.
- **Economizers (Downflow):** Based on air conditions, can provide outside air to cool the space.
- **Electric Heat Kits (AC and heat pump units only):** Available in all voltage options.
- **Non-powered Convenience Outlet:** A 120V, 15A, GFCI outlet makes it easier for technicians to service the unit once an electrician runs power to the outlet.
- **Powered Convenience Outlet:** A 120V, 15A, GFCI outlet powered with a transformer built into the unit. When a factory-installed powered convenience outlet is installed in the equipment, the unit MCA (Min. Circuit Ampacity) will increase by 7.2A/6.5A for 208/230V units, increase by 3.3A for 460V units, and by 2.6A for 575V units. The MOP (Max. Overcurrent Protection) device must be sized accordingly.
- **Disconnect Switch (non-fused; 3-phase units only):** A disconnect switch is installed in the unit and factory wiring will be complete from the switch to the unit. Please note that for air conditioning (DSC units) and heat pump models (DSH units), the appropriate electric heat kit must be ordered to be factory-installed along with the disconnect switch (non-fused) when it is ordered. Please note that for models with a powered convenience outlet option and a disconnect switch (non-fused) option, the power to the powered convenience outlet will be shut off when the disconnect switch (non-fused) is in the off position.
- **Return Air and/or Supply Air Smoke Detectors:** Return air and/or supply air smoke detectors are installed in the unit.
- **Hinged Access Panels:** Allows access to unit's major components. Combined with latches for easy access to control box, compressor, filters and blower motor. Available on all units.
- **Phase Monitor:** Phase monitor (3 phase only), available for 3 - 25 ton DS, DC and DT series models. Phase monitor shall provide protection for motors and compressors against problems caused by phase loss, phase reversal and phase unbalance. Phase monitor is equipped with an LED that provides an ON or FAULT indicator.
- **DDC Controller:** DDC communicating controller, available for 3 - 25 ton DS, DC and DT series models with on-board BACnet® communication interface.
- **High static belt drive assembly, factory installed.**

	DCC090 ***3V***B*	DCC090 ***4V***B*	DCC090 ***7V***B*
<b>COOLING CAPACITY</b>			
Total BTU/h	88,000	88,000	88,000
Sensible BTU/h	65,100	65,100	65,100
EER / IEER	11.3 / 13.0	11.3 / 13.0	11.3 / 13.0
Decibels	82	82	82
AHRI Reference #s	7041910	7041910	7041910
<b>EVAPORATOR MOTOR / COIL</b>			
Motor Type	2-speed Belt Drive	2-speed Belt Drive	2-speed Belt Drive
Indoor Nominal CFM	3,000	3,000	3,000
Indoor Motor FLA (Cooling)	6.0	2.9	2.4
Horsepower / RPM	2 / 1740-1160	2 / 1740-1160	2 / 1745-1170
Piston Size (Cooling)	0.078	0.078	0.078
Filter Size (Qty)	(4) 16 x 20 x 2	(4) 16 x 20 x 2	(4) 16 x 20 x 2
Drain Size (NPT)	¾"	¾"	¾"
R-410A Refrigerant Charge Cir #1 & #2	100 oz.	100 oz.	100 oz.
Evaporator Coil Face Area (ft²)	8.9	8.9	8.9
Rows Deep / Fins per Inch	4/16	4/16	4/16
<b>BELT DRIVE EVAP FAN DATA</b>			
# of Wheels (D x W)	1 (15" x 12")	1 (15" x 12")	1 (15" x 12")
Motor Sheave / Blower Sheave	VL40 / AK74	VL40 / AK74	VL40 / AK74
Belt	AX51	AX51	AX51
<b>CONDENSER FAN / COIL</b>			
Quantity of Condenser Fan Motors	2	2	2
Horsepower - RPM	¼ - 1075	¼ - 1075	¼ - 1,075
Fan Diameter / # Fan Blades	22 / 4	22 / 4	22 / 4
Outdoor Nominal CFM	7,200	7,200	7,200
Face Area (ft²)	28.8	28.8	28.8
Rows Deep / Fins per Inch	2 X2 / 27±1	'2 X2 / 27±1	'2 X2 / 27±1
<b>COMPRESSOR</b>			
Quantity / Type / Stage	2 / Scroll / 1	2 / Scroll / 1	2 / Scroll / 1
Compressor RLA / LRA	13.1 / 83.1	6.1 / 41.0	4.4 / 33.0
<b>ELECTRICAL DATA</b>			
Voltage-Phase-Frequency	208/230-3-60	460-3-60	575-3-60
Standard Motor Max. External Static	1.0"	1.0"	1.0"
Outdoor Fan HP / RLA	(2) ¼ / 1.4	(2) ¼ / 0.7	(2) ¼ / 0.55
Min. Circuit Ampacity <sup>1</sup>	38.4 / 38.4	18.0	13.3
Max. Overcurrent Protection (amps) <sup>2</sup>	50 / 50	20	15
Entrance Power Supply	Locating	Locating	Locating
Entrance Control Voltage	Dimple	Dimple	Dimple
<b>OPERATING WEIGHT (LBS)</b>	1010	1010	1010
<b>SHIP WEIGHT (LBS)</b>	1085	1085	1085

<sup>1</sup> Wire size should be determined in accordance with National Electrical Codes. Extensive wire runs will require larger wire sizes.

<sup>2</sup> May use fuses or HACR-type circuit breakers of the same size as noted.

**Note:** Always check the S&R plate for electrical data on the unit being installed.

	DCC102 ***3V***B*	DCC102 ***4V***B*	DCC102 ***7V***B*
<b>COOLING CAPACITY</b>			
Total BTU/h	100,000	100,000	100,000
Sensible BTU/h	69,000	69,000	69,000
EER / IEER	11.3/13.4	11.3/13.4	11.3/13.4
Decibels	83	83	83
ARI Reference #s	7370923	7370923	7370923
<b>EVAPORATOR MOTOR / COIL</b>			
Motor Type	2-speed Belt Drive	2-speed Belt Drive	2-speed Belt Drive
Indoor Nominal CFM	3,200	3,200	3,200
Indoor motor FLA (Cooling)	6.0	2.9	2.4
Horsepower - RPM	2 / 1740-1160	2 / 1740-1160	2 / 1745-1170
Piston Size (Cooling)	0.080	0.080	0.080
Filter Size (Qty)	(4) 16 x 20 x 2	(4) 16 x 20 x 2	(4) 16 x 20 x 2
Drain Size (NPT)	3/4"	3/4"	3/4"
R-410A Refrigerant Charge Cir #1 & #2	110 oz	110 oz	110 oz
Evaporator Coil Face Area (ft <sup>2</sup> )	10.2	10.2	10.2
Rows Deep / Fins per Inch	4/14	4/14	4/14
<b>BELT DRIVE EVAP FAN DATA</b>			
# of Wheels (D x W)	(1) 15" x 12"	(1) 15" x 12"	(1) 15" x 12"
Motor Sheave / Blower Sheave	VL40 / AK74	VL40 / AK74	VL40 / AK74
Belt	AX51	AX51	AX51
<b>CONDENSER FAN / COIL</b>			
Quantity of Condenser Fan Motors	2	2	2
Horsepower - RPM	¼ - 1,075	¼ - 1,075	¼ - 1,075
Fan Diameter / # Fan Blades	22 / 3	22 / 3	22 / 3
Outdoor Nominal CFM	8,200	8,200	8,200
Face Area (ft <sup>2</sup> )	28.8	28.8	28.8
Rows Deep - Fins per Inch	2 X2 / 27±1	2 X2 / 27±1	2 X2 / 27±1
<b>COMPRESSOR</b>			
Quantity / Type / Stage	2 / Scroll / 1	2 / Scroll / 1	2 / Scroll / 1
Compressor RLA / LRA ea.	14.5 / 98	6.3 / 55	6.0 / 41
<b>ELECTRICAL DATA</b>			
Voltage/Phase/ Frequency	208/230-3-60	460-3-60	575-3-60
Standard Motor Max. External Static	1"	1"	1"
Outdoor Fan RLA ea.	1.40	0.70	0.55
Min. Circuit Ampacity <sup>1</sup>	41.4 / 41.4	18.6	17.1
Max. Overcurrent Protection (amps) <sup>2</sup>	50 / 50	20	20
Entrance Power Supply	Locating	Locating	Locating
Entrance Control Voltage	Dimple	Dimple	Dimple
<b>OPERATING WEIGHT (LBS)</b>	1050	1050	1050
<b>SHIP WEIGHT (LBS)</b>	1125	1125	1125

<sup>1</sup> Wire size should be determined in accordance with National Electrical Codes. Extensive wire runs will require larger wire sizes.

<sup>2</sup> May use fuses or HACR-type circuit breakers of the same size as noted.

**Note:** Always check the S&R plate for electrical data on the unit being installed.

	DCC120 ***3V***B*	DCC120 ***4V***B*	DCC120 ***7V***B*
<b>COOLING CAPACITY</b>			
Total BTU/h	116,000	116,000	116,000
Sensible BTU/h	84,700	84,700	84,700
EER / IEER	11.3 / 13.0	11.3 / 13.0	11.3 / 13.0
Decibels	83	83	83
ARI Reference #s	6345712	6345712	6345712
<b>EVAPORATOR MOTOR / COIL</b>			
Motor Type	2-speed Belt Drive	2-speed Belt Drive	2-speed Belt Drive
Indoor Nominal CFM	3,500	3,500	3,500
Indoor motor FLA (Cooling)	6.4	3.0	2.4
Horsepower - RPM	2.0/1750-1165	2.0/1750-1165	2.0/1750-1165
Piston Size (Cooling)	0.086	0.086	0.086
Filter Size (Qty)	(4) 16 x 24 x 2	(4) 16 x 24 x 2	(4) 16 x 24 x 2
Drain Size (NPT)	¾"	¾"	¾"
R-410A Refrigerant Charge Cir #1 & #2 (oz.)	144 / 123	144 / 123	144 / 123
Evaporator Coil Face Area (ft <sup>2</sup> )	10.2	10.2	10.2
Rows Deep / Fins per Inch	4/14	4/14	4/14
<b>BELT DRIVE EVAP FAN DATA</b>			
# of Wheels (D x W)	(1) 15" x 15"	(1) 15" x 15"	(1) 15" x 15"
Motor Sheave / Blower Sheave	VL40 / AK74	VL40 / AK74	VL40 / AK74
Belt	AX50	AX50	AX50
<b>CONDENSER FAN / COIL</b>			
Quantity of Condenser Fan Motors	2	2	2
Horsepower - RPM	½ - 1,075	½ - 1,075	½ - 1,125
Fan Diameter / # Fan Blades	22 / 3	22 / 3	22 / 3
Outdoor Nominal CFM	8,200	8,200	8,200
Face Area (ft <sup>2</sup> )	35.2	35.2	35.2
Rows Deep - Fins per Inch	2 X 2 / 27±1	2 X 2 / 27±1	2 X 2 / 27±1
<b>COMPRESSOR</b>			
Quantity / Type / Stage	2 / Scroll / 1	2 / Scroll / 1	2 / Scroll / 1
Compressor RLA / LRA ea.	16/110.0	7.8/52.0	5.7/38.9
<b>ELECTRICAL DATA</b>			
Voltage/Phase/ Frequency	208/230-3-60	460-3-60	575-3-60
Standard Motor Max. External Static	1.4"	1.4"	1.4"
Outdoor Fan RLA ea.	2.00	0.85	0.67
Min. Circuit Ampacity <sup>1</sup>	46.3 / 46.3	22.2	16.6
Max. Overcurrent Protection (amps) <sup>2</sup>	60 / 60	25	20
Entrance Power Supply	Locating	Locating	Locating
Entrance Control Voltage	Dimple	Dimple	Dimple
<b>OPERATING WEIGHT (LBS)</b>	1050	1050	1050
<b>SHIP WEIGHT (LBS)</b>	1125	1125	1125

<sup>1</sup> Wire size should be determined in accordance with National Electrical Codes. Extensive wire runs will require larger wire sizes.

<sup>2</sup> May use fuses or HACR-type circuit breakers of the same size as noted.

**Note:** Always check the S&R plate for electrical data on the unit being installed.

	DCC150 ***3V***B*	DCC150 ***4V***B*	DCC150 ***7V***B*
<b>COOLING CAPACITY</b>			
Total, BTU/h	146,000	146,000	146,000
Sensible BTU/h	97,000	97,000	97,000
EER / IEER	11.0 / 12.6	11.0 / 12.6	11.0 / 12.6
Decibels	83	83	83
ARI Reference #s	10567462	10567462	10567462
<b>EVAPORATOR MOTOR / COIL</b>			
Motor Type	2-speed Belt Drive	2-speed Belt Drive	2-speed Belt Drive
Indoor Nominal CFM	3,900	3,900	3,900
Indoor Motor FLA (Cooling)	9.1	4.3	3.5
Horsepower - RPM	3.0/1760-1165	3.0/1760-1165	3.0/1760-1165
Piston Size (Cooling)	0.094	0.094	0.094
Filter Size	(4) 20" x 20" x 2" (2) 20" x 14" x 2"	(4) 20" x 20" x 2" (2) 20" x 14" x 2"	(4) 20" x 20" x 2" (2) 20" x 14" x 2"
Drain Size (NPT)	¾"	¾"	¾"
R-410A Refrigerant Charge Cir #1 & #2	130 oz	130 oz	130 oz
Evaporator Coil Face Area (ft²)	12.3	12.3	12.3
Micro-Channel Fins per Inch	15	15	15
<b>CONDENSER FAN / COIL</b>			
Quantity of condenser Fan Motors	2	2	2
Horsepower - RPM	½ - 1,075	½ - 1,075	½ - 1,075
Fan Diameter / # Fan Blades	22/3	22/3	22/3
Outdoor Nominal CFM	8,400	8,400	8,400
Face Area (ft²)	38.4	38.4	38.4
Micro-Channel Fins per Inch	23	23	23
<b>BELT DRIVE EVAP FAN DATA</b>			
# of Wheels (D x W)	(1) 15" x 15"	(1) 15" x 15"	(1) 15" x 15"
Motor Sheave / Blower Sheave	VP44 / AK79	VP44 / AK79	VP44 / AK79
Belt	AX49	AX49	AX49
<b>COMPRESSOR</b>			
Quantity / Type / Stage	2 / Scroll / 1	2 / Scroll / 1	2 / Scroll / 1
Compressor RLA / LRA ea.	22.4 / 149	10.6 / 75	7.7 / 54
<b>ELECTRICAL DATA / STATIC</b>			
Voltage / Phase / Frequency	208/230-3-60	460-3-60	575-3-60
Standard Motor Max. External Static	1.4"	1.4"	1.4"
Outdoor Fan FLA ea.	2.3	1.1	0.9
Min. Circuit Ampacity <sup>1</sup>	63.6 / 63.6	29.8	22.1
Max. Overcurrent Protection (amps) <sup>2</sup>	80 / 80	40	25
Entrance Power Supply	Locating	Locating	Locating
Entrance Control Voltage	Dimple	Dimple	Dimple
<b>OPERATING WEIGHT (LBS)</b>	1175	1175	1175
<b>SHIP WEIGHT (LBS)</b>	1200	1200	1200

<sup>1</sup> Wire size should be determined in accordance with National Electrical Codes. Extensive wire runs will require larger wire sizes.

<sup>2</sup> May use fuses or HACR-type circuit breakers of the same size as noted.

**Note:** Always check the S&R plate for electrical data on the unit being installed.

IDB		OUTDOOR AMBIENT TEMPERATURE																											
		65				75				85				95				105				115							
		59	63	67	71	59	63	67	71	59	63	67	71	59	63	67	71	59	63	67	71	59	63	67	71				
		ENTERING INDOOR WET BULB TEMPERATURE																											
AIRFLOW		59	63	67	71	59	63	67	71	59	63	67	71	59	63	67	71	59	63	67	71	59	63	67	71	59	63	67	71
70	MBh	86.2	89.4	97.9	-	84.2	87.3	95.6	-	82.2	85.2	93.4	-	80.2	83.1	91.1	-	76.2	79.0	86.5	-	70.6	73.2	80.2	-				
	S/T	0.74	0.62	0.43	-	0.77	0.64	0.45	-	0.79	0.66	0.46	-	0.82	0.68	0.47	-	0.85	0.71	0.49	-	0.85	0.71	0.49	-				
	ΔT	17	15	11	-	18	15	12	-	18	15	12	-	18	15	12	-	18	15	12	-	16	14	11	-				
	KW	6.12	6.24	6.42	-	6.56	6.69	6.89	-	6.94	7.08	7.30	-	7.28	7.43	7.66	-	7.57	7.73	7.97	-	7.82	7.99	8.24	-				
	Hi PR	234	252	266	-	262	282	298	-	298	321	339	-	340	366	386	-	382	411	434	-	422	454	480	-				
Lo PR	108	115	126	-	114	122	133	-	119	126	138	-	125	133	145	-	131	139	152	-	135	144	157	-					
3000	MBh	83.7	86.8	95.1	-	81.8	84.8	92.9	-	79.8	82.7	90.7	-	77.9	80.7	88.4	-	74.0	76.7	84.0	-	68.5	71.0	77.8	-				
	S/T	0.71	0.59	0.41	-	0.73	0.61	0.43	-	0.75	0.63	0.44	-	0.78	0.65	0.45	-	0.81	0.67	0.47	-	0.81	0.68	0.47	-				
	ΔT	18	16	12	-	18	16	12	-	18	16	12	-	19	16	12	-	18	16	12	-	17	15	11	-				
	KW	6.07	6.19	6.37	-	6.51	6.64	6.84	-	6.89	7.03	7.24	-	7.23	7.38	7.60	-	7.51	7.67	7.91	-	7.76	7.92	8.17	-				
	Hi PR	231	249	263	-	260	279	295	-	295	317.8	335.6	-	336	361.9	382.2	-	378	407.2	430.0	-	418	449.9	475.1	-				
Lo PR	107	114	124	-	113	120	132	-	118	125	137	-	124	132	144	-	130	138	150	-	134	143	156	-					
2400	MBh	77	80	88	-	75	78	86	-	74	76	84	-	72	75	82	-	68	71	78	-	63	66	72	-				
	S/T	0.68	0.57	0.40	-	0.71	0.59	0.41	-	0.73	0.61	0.42	-	0.75	0.63	0.43	-	0.78	0.65	0.45	-	0.78	0.66	0.45	-				
	ΔT	20	18	13	-	20	18	13	-	21	18	13	-	21	18	14	-	20	18	13	-	19	16	12	-				
	KW	5.94	6.06	6.23	-	6.36	6.49	6.68	-	6.73	6.87	7.08	-	7.06	7.20	7.42	-	7.34	7.49	7.72	-	7.58	7.73	7.98	-				
	Hi PR	224	242	255	-	252	271	286	-	286	308.3	325.5	-	326	351.1	370.7	-	367	395.0	417.1	-	406	436.4	460.8	-				
Lo PR	104	111	121	-	110	117	128	-	114	121	133	-	120	128	139	-	126	134	146	-	130	138	151	-					

3375	MBh	88	90	98	105	86	88	95	102	84	86	93	100	82	84	91	98	77	80	86	93	72	74	80	85.9
	S/T	0.84	0.76	0.57	0.37	0.88	0.78	0.59	0.38	0.90	0.80	0.61	0.39	0.93	0.83	0.63	0.40	0.96	0.86	0.65	0.42	0.97	0.87	0.66	0.42
	ΔT	20	19	15	11	20	19	15	11	20	19	15	11	21	19	16	11	20	19	15	11	19	17	14	10
	KW	6.17	6.29	6.47	6.7	6.61	6.74	6.94	7.2	7.00	7.14	7.36	7.6	7.34	7.49	7.73	8.0	7.63	7.79	8.04	8.3	7.88	8.05	8.31	8.6
	Hi PR	236	254	268	280	265	285	301	314	301.3	324	342	357	343.2	369	390	407	386	415	439	458	427	459	485	506
Lo PR	109	116	127	135	116	123	134	143	120	128	139	149	126	134	146	156	132	141	154	163	137	145	159	169	
3000	MBh	85	88	95	102	83	86	93	99	81	84	90	97	79	82	88	95	75	77	84	90	70	72	78	83.4
	S/T	0.81	0.72	0.55	0.35	0.84	0.75	0.57	0.36	0.86	0.77	0.58	0.37	0.88	0.79	0.60	0.38	0.92	0.82	0.62	0.40	0.93	0.83	0.63	0.40
	ΔT	21	19	16	11	21	20	16	11	21	20	16	11	21	20	16	11	21	19	16	11	20	18	15	10
	KW	6.12	6.24	6.42	6.6	6.56	6.69	6.89	7.1	6.94	7.09	7.30	7.5	7.28	7.43	7.66	7.9	7.57	7.73	7.97	8.2	7.82	7.99	8.24	8.5
	Hi PR	234	252	266	277	262	282	298	311	298.3	321	339	354	339.8	366	386	403	382	411	434	453	422	454	480	501
Lo PR	108	115	126	134	114	122	133	141	119	126	138	147	125	133	145	154	131	139	152	162	135	144	157	167	
2400	MBh	79	81	88	94	77	79	86	92	75	77	84	90	73	75	81	87	69	72	77	83	64	66	72	76.9
	S/T	0.78	0.69	0.53	0.34	0.81	0.72	0.55	0.35	0.83	0.74	0.56	0.36	0.85	0.76	0.58	0.37	0.88	0.79	0.60	0.39	0.89	0.80	0.60	0.39
	ΔT	23	22	18	12	24	22	18	12	24	22	18	12	24	22	18	12	24	22	18	12	22	20	17	11
	KW	5.99	6.10	6.28	6.5	6.41	6.54	6.73	6.9	6.78	6.92	7.13	7.4	7.11	7.26	7.48	7.7	7.39	7.55	7.78	8.0	7.64	7.80	8.04	8.3
	Hi PR	227	244	258	269	254	274	289	302	289.4	311	329	343	329.6	355	375	391	371	399	421	439	410	441	466	486
Lo PR	105	112	122	130	111	118	129	137	115	123	134	143	121	129	141	150	127	135	147	157	131	140	153	162	

IDB: Entering Indoor Dry Bulb Temperature  
 High and low pressures are measured at the liquid and suction access fittings.  
 Shaded area reflects ACCA (TVA) Rating Conditions  
 Design Superheat 7±2 °F; Design Subcooling 12 ±2 °F; pressures measured @ the suction and liquid service ports, AHRI 95 test conditions  
 Amps: Unit amps (comp.+ evaporator + condenser fan motors)



IDB		OUTDOOR AMBIENT TEMPERATURE																							
		75				85				95				105				115							
		59	63	67	71	59	63	67	71	59	63	67	71	59	63	67	71	59	63	67	71				
		ENTERING INDOOR WET BULB TEMPERATURE																							
		ENTERING INDOOR WET BULB TEMPERATURE																							
3375	MBh	89.3	91.2	97.4	104.2	87.2	89.1	95.2	101.7	85.1	87.0	92.9	99.3	83.0	84.8	90.6	96.9	78.9	80.6	86.1	92.0	73.1	74.7	79.8	85.3
	S/T	0.93	0.87	0.71	0.53	0.96	0.90	0.73	0.55	1.00	0.92	0.75	0.56	1.00	0.95	0.78	0.58	1.00	1.00	0.81	0.60	1.00	1.00	0.81	0.61
	ΔT	23	22	19	15	23	22	19	15	23	22	19	15	23	22	19	15	21	22	19	15	20	20	18	14
	kW	6.21	6.33	6.52	6.7	6.66	6.79	7.00	7.2	7.05	7.20	7.42	7.6	7.40	7.55	7.79	8.0	7.69	7.86	8.10	8.4	7.95	8.12	8.37	8.6
	Hi PR	238	257	271	283	268	288	304	317	304	328	346	361	347	373	394	411	390	420	443	462	431	464	490	511
Lo PR	110	118	128	137	117	124	136	144	121	129	141	150	127	136	148	158	134	142	155	165	138	147	160	171	
80	MBh	86.7	88.5	94.6	101.1	84.6	86.5	92.4	98.8	82.6	84.4	90.2	96.4	80.6	82.4	88.0	94.1	76.6	78.2	83.6	89.4	70.9	72.5	77.4	82.8
	S/T	0.88	0.83	0.67	0.50	0.92	0.86	0.70	0.52	0.94	0.88	0.72	0.54	0.97	0.91	0.74	0.55	1.00	0.94	0.77	0.57	1.00	0.95	0.77	0.58
	ΔT	23	22	20	16	24	23	20	16	24	23	20	16	24	23	20	16	23	23	20	16	22	21	18	15
	kW	6.17	6.29	6.47	6.7	6.61	6.74	6.94	7.2	7.00	7.14	7.36	7.6	7.34	7.49	7.73	8.0	7.63	7.79	8.04	8.3	7.89	8.05	8.31	8.6
	Hi PR	236	254	268	280	265	285	301	314	301	324	342	357	343	369	390	407	386	415	439	458	427	459	485	506
Lo PR	109	116	127	135	116	123	134	143	120	128	139	149	126	134	147	156	132	141	154	164	137	145	159	169	
2400	MBh	80.0	81.7	87.3	93.3	78.1	79.8	85.3	91.2	76.3	77.9	83.3	89.0	74.4	76.0	81.2	86.8	70.7	72.2	77.2	82.5	65.5	66.9	71.5	76.4
	S/T	0.85	0.80	0.65	0.49	0.88	0.83	0.67	0.50	0.91	0.85	0.69	0.52	0.93	0.88	0.71	0.53	0.97	0.91	0.74	0.55	0.98	0.92	0.75	0.56
	ΔT	26	25	22	17	26	25	22	18	26	25	22	18	27	26	22	18	26	25	22	17	25	24	20	16
	kW	6.03	6.15	6.33	6.5	6.46	6.59	6.78	7.0	6.84	6.97	7.19	7.4	7.17	7.32	7.54	7.8	7.45	7.61	7.85	8.1	7.70	7.86	8.11	8.4
	Hi PR	229	246	260	271	257	277	292	305	292	315	332	346	333	358	378	395	375	403	426	444	414	445	470	490
Lo PR	106	113	123	131	112	119	130	139	116	124	135	144	122	130	142	151	128	136	149	159	133	141	154	164	

IDB		OUTDOOR AMBIENT TEMPERATURE																							
		75				85				95				105				115							
		59	63	67	71	59	63	67	71	59	63	67	71	59	63	67	71	59	63	67	71				
		ENTERING INDOOR WET BULB TEMPERATURE																							
		ENTERING INDOOR WET BULB TEMPERATURE																							
3375	MBh	90.8	92.6	97.0	103.4	88.7	90.4	94.7	101.0	86.6	88.3	92.4	98.6	84.5	86.1	90.2	96.2	80.3	81.8	85.7	91.4	74.3	75.8	79.4	84.7
	S/T	0.97	0.94	0.85	0.69	1.00	0.97	0.88	0.71	1.00	1.00	0.90	0.73	1.00	1.00	0.93	0.75	1.00	1.00	0.96	0.78	1.00	1.00	0.97	0.79
	ΔT	24	24	22	19	24	24	23	20	24	24	23	20	23	23	23	20	22	22	22	19	20	21	21	18
	kW	6.26	6.38	6.57	6.8	6.71	6.84	7.05	7.3	7.11	7.25	7.47	7.7	7.46	7.61	7.85	8.1	7.75	7.92	8.17	8.4	8.01	8.18	8.44	8.7
	Hi PR	241	259	274	285	270	291	307	320	307	331	349	364	350	377	398	415	394	424	448	467	435	468	495	516
Lo PR	112	119	130	138	118	125	137	146	122	130	142	152	129	137	149	159	135	143	157	167	139	148	162	173	
85	MBh	88.2	89.9	94.1	100.4	86.1	87.8	91.9	98.1	84.1	85.7	89.7	95.7	82.0	83.6	87.6	93.4	77.9	79.4	83.2	88.7	72.2	73.6	77.1	82.2
	S/T	0.93	0.89	0.81	0.65	0.96	0.93	0.84	0.68	0.98	0.95	0.86	0.70	1.00	0.98	0.89	0.72	1.00	1.00	0.92	0.75	1.00	1.00	0.93	0.75
	ΔT	25	25	23	20	25	25	24	20	25	25	24	20	25	25	24	21	24	24	23	20	22	23	22	19
	kW	6.21	6.33	6.52	6.7	6.66	6.79	7.00	7.2	7.05	7.20	7.42	7.6	7.40	7.55	7.79	8.0	7.69	7.86	8.10	8.4	7.95	8.12	8.37	8.6
	Hi PR	238	257	271	283	268	288	304	317	304	328	346	361	347	373	394	411	390	420	443	462	431	464	490	511
Lo PR	110	118	128	137	117	124	136	144	121	129	141	150	127	136	148	158	134	142	155	165	138	147	160	171	
2400	MBh	81.4	83.0	86.9	92.7	79.5	81.0	84.9	90.5	77.6	79.1	82.8	88.4	75.7	77.2	80.8	86.2	71.9	73.3	76.8	81.9	66.6	67.9	71.1	75.9
	S/T	0.89	0.86	0.78	0.63	0.93	0.89	0.81	0.65	0.95	0.92	0.83	0.67	0.98	0.95	0.85	0.69	1.00	0.98	0.89	0.72	1.00	0.99	0.89	0.72
	ΔT	28	27	26	22	28	28	26	23	28	28	26	23	28	28	26	23	28	28	26	23	26	26	24	21
	kW	6.07	6.19	6.37	6.6	6.51	6.64	6.83	7.0	6.89	7.03	7.24	7.5	7.22	7.37	7.60	7.8	7.51	7.67	7.91	8.2	7.76	7.92	8.17	8.4
	Hi PR	231	249	263	274	260	279	295	308	295	318	335	350	336	362	382	399	378	407	430	448	418	450	475	495
Lo PR	107	114	124	133	113	120	131	140	118	125	137	146	124	131	144	153	130	138	150	160	134	143	156	166	

IDB: Entering Indoor Dry Bulb Temperature  
 High and low pressures are measured at the liquid and suction access fittings.  
 Shaded area reflects AHRI Rating Conditions  
 Design Superheat ±2 °F; Design Subcooling ±2 °F; pressures measured @ the suction and liquid service ports, AHRI 95 test conditions  
 Amps: Unit amps (comp.+ evaporator + condenser fan motors)



IDB		OUTDOOR AMBIENT TEMPERATURE																								
		75					85					95					105					115				
		ENTERING INDOOR WET BULB TEMPERATURE																								
AIRFLOW	59	63	67	71	75	59	63	67	71	75	59	63	67	71	75	59	63	67	71	75	59	63	67	71	75	
80	MBh	98.5	100.6	107.5	114.9	96.2	98.3	105.0	112.2	93.9	95.9	102.5	109.6	91.6	93.6	100.0	106.9	87.0	88.9	95.0	101.6	80.6	82.4	88.0	94.1	
	S/T	0.88	0.83	0.67	0.50	0.92	0.86	0.70	0.52	0.94	0.88	0.72	0.54	0.97	0.91	0.74	0.55	1.00	0.94	0.77	0.57	1.00	0.95	0.77	0.58	
	Delta T	24	23	20	16	25	24	20	16	25	24	20	16	25	24	21	16	24	23	20	16	22	22	19	15	
	KW	7.04	7.18	7.40	7.64	7.56	7.72	7.97	8.22	8.03	8.20	8.46	8.74	8.44	8.62	8.90	9.19	8.79	8.98	9.27	9.58	9.09	9.29	9.59	9.91	
	AMPS	11.9	12.2	12.5	12.8	12.7	12.9	13.2	13.6	13.5	13.8	14.1	14.6	14.2	14.5	14.9	15.4	15.0	15.3	15.7	16.2	15.7	16.0	16.5	17.0	
	HI PR	242	260	275	286	271	292	308	321	308	332	350	365	351	378	399	416	395	425	449	468	436	470	496	517	
	LO PR	101	107	117	125	106	113	124	132	111	118	129	137	116	124	135	144	122	130	141	151	126	134	146	156	
	MBh	98.5	100.6	107.5	114.9	96.2	98.3	105.0	112.2	93.9	95.9	102.5	109.6	91.6	93.6	100.0	106.9	87.0	88.9	95.0	101.6	80.6	82.4	88.0	94.1	
	S/T	0.88	0.83	0.67	0.50	0.92	0.86	0.70	0.52	0.94	0.88	0.72	0.54	0.97	0.91	0.74	0.55	1.00	0.94	0.77	0.57	1.00	0.95	0.77	0.58	
	Delta T	25	24	21	17	25	24	21	17	25	24	21	17	26	24	21	17	25	24	21	17	23	23	20	16	
KW	7.04	7.18	7.40	7.64	7.56	7.72	7.97	8.22	8.03	8.20	8.46	8.74	8.44	8.62	8.90	9.19	8.79	8.98	9.27	9.58	9.09	9.29	9.59	9.91		
AMPS	11.9	12.2	12.5	12.8	12.7	12.9	13.2	13.6	13.5	13.8	14.1	14.6	14.2	14.5	14.9	15.4	15.0	15.3	15.7	16.2	15.7	16.0	16.5	17.0		
HI PR	242	260	275	286	271	292	308	321	308	332	350	365	351	378	399	416	395	425	449	468	436	470	496	517		
LO PR	101	107	117	125	106	113	124	132	111	118	129	137	116	124	135	144	122	130	141	151	126	134	146	156		
85	MBh	97.5	99.6	106.4	113.8	95.2	97.3	104.0	111.1	93.0	95.0	101.5	108.5	90.7	92.7	99.0	105.8	86.1	88.0	94.1	100.5	79.8	81.5	87.1	93.1	
	S/T	0.87	0.82	0.67	0.50	0.91	0.85	0.69	0.52	0.93	0.87	0.71	0.53	0.96	0.90	0.73	0.55	1.00	0.93	0.76	0.57	1.00	0.94	0.77	0.57	
	Delta T	25	24	21	17	26	25	21	17	26	25	21	17	26	25	22	17	25	24	21	17	24	23	20	16	
	KW	6.97	7.11	7.33	7.56	7.49	7.64	7.88	8.13	7.95	8.12	8.37	8.64	8.35	8.53	8.81	9.09	8.70	8.88	9.17	9.48	8.99	9.19	9.49	9.81	
	AMPS	11.8	12.1	12.3	12.7	12.6	12.8	13.1	13.5	13.4	13.6	14.0	14.4	14.1	14.4	14.8	15.2	14.8	15.1	15.5	16.0	15.5	15.9	16.3	16.8	
	HI PR	238	257	271	283	268	288	304	317	304	327	346	361	347	373	394	411	390	420	443	462	431	464	490	511	
	LO PR	99	106	116	123	105	112	122	130	109	116	127	135	115	122	133	142	120	128	140	149	124	132	144	154	
	MBh	100.2	102.1	107.0	114.1	97.9	99.8	104.5	111.5	95.5	97.4	102.0	108.8	93.2	95.0	99.5	106.2	88.5	90.3	94.5	100.8	82.0	83.6	87.6	93.4	
	S/T	0.93	0.89	0.81	0.65	0.96	0.93	0.84	0.68	0.98	0.95	0.86	0.70	1.00	0.98	0.89	0.72	1.00	1.00	0.92	0.75	1.00	1.00	0.93	0.75	
	Delta T	26	25	24	21	26	26	24	21	26	26	24	21	26	26	25	21	25	25	24	21	23	23	23	20	
KW	7.09	7.24	7.46	7.70	7.62	7.78	8.03	8.29	8.09	8.27	8.53	8.81	8.51	8.69	8.97	9.27	8.86	9.05	9.35	9.66	9.16	9.37	9.67	10.00		
AMPS	12.0	12.2	12.5	12.9	12.8	13.0	13.3	13.7	13.6	13.9	14.2	14.7	14.3	14.6	15.0	15.5	15.1	15.4	15.8	16.3	15.8	16.1	16.6	17.1		
HI PR	244	263	277	289	274	295	311	324	311	335	354	369	355	382	403	420	399	429	453	473	441	474	501	522		
LO PR	102	108	118	126	108	114	125	133	112	119	130	138	117	125	136	145	123	131	143	152	127	135	148	157		
MBh	99.2	101.1	105.9	113.0	96.9	98.8	103.4	110.3	94.6	96.4	101.0	107.7	92.3	94.1	98.5	105.1	87.7	89.4	93.6	99.8	81.2	82.8	86.7	92.5		
S/T	0.92	0.88	0.80	0.65	0.95	0.92	0.83	0.67	0.97	0.94	0.85	0.69	1.00	0.97	0.88	0.71	1.00	1.00	0.91	0.74	1.00	1.00	0.92	0.74		
Delta T	27	27	25	22	27	27	25	22	27	27	25	22	27	27	26	22	26	26	25	22	24	25	24	20		
KW	7.02	7.17	7.39	7.62	7.55	7.70	7.95	8.20	8.01	8.18	8.44	8.71	8.42	8.60	8.88	9.17	8.77	8.96	9.25	9.55	9.07	9.27	9.57	9.89		
AMPS	11.9	12.1	12.4	12.8	12.6	12.9	13.2	13.6	13.5	13.7	14.1	14.5	14.2	14.5	14.9	15.3	14.9	15.2	15.6	16.1	15.7	16.0	16.4	16.9		
HI PR	241	259	274	285	270	291	307	320	307	331	349	364	350	377	398	415	394	424	447	467	435	468	494	516		
LO PR	100	107	117	124	106	113	123	131	110	117	128	136	116	123	135	143	121	129	141	150	126	134	146	155		

IDB: Entering Indoor Dry Bulb Temperature  
 High and low pressures are measured at the liquid and suction access fittings.  
 Shaded area reflects AHRI Rating Conditions  
 Design Superheat 7±2 °F; Design Subcooling 1.2 ±2 °F; pressures measured @ the suction and liquid service ports, AHRI 95 test conditions  
 Amps: Unit amps (comp.+ evaporator + condenser fan motors)

IDB		OUTDOOR AMBIENT TEMPERATURE																							
		65				75				85				95				105				115			
		59	63	67	71	59	63	67	71	59	63	67	71	59	63	67	71	59	63	67	71	59	63	67	71
		ENTERING INDOOR WET BULB TEMPERATURE																							
		ENTERING INDOOR DRY BULB TEMPERATURE																							
70	AIRFLOW	59	63	67	71	59	63	67	71	59	63	67	71	59	63	67	71	59	63	67	71	59	63	67	71
	MBh	114	118	129	-	111	115	126	-	108	112	123	-	106	110	120	-	100	104	114	-	100	104	114	-
	S/T	0.73	0.61	0.42	-	0.76	0.63	0.44	-	0.78	0.65	0.45	-	0.80	0.67	0.47	-	0.83	0.70	0.48	-	0.83	0.70	0.48	-
	ΔT	19	17	13	-	20	17	13	-	20	17	13	-	20	17	13	-	20	17	13	-	20	17	13	-
	kW	8.22	8.37	8.60	-	8.77	8.94	9.19	-	9.25	9.43	9.70	-	9.68	9.87	10.16	-	10.04	10.24	10.55	-	10.04	10.24	10.55	-
	Hi PR	247	266	281	-	277	298	315	-	315	339	358	-	359	386	408	-	404	435	459	-	404	435	459	-
	Lo PR	105	111	122	-	111	118	128	-	115	122	134	-	121	128	140	-	127	135	147	-	127	135	147	-
	MBh	110	114	125	-	108	112	122	-	105	109	119	-	103	106	117	-	98	101	111	-	98	101	111	-
	S/T	0.70	0.58	0.40	-	0.72	0.61	0.42	-	0.74	0.62	0.43	-	0.77	0.64	0.44	-	0.80	0.66	0.46	-	0.80	0.66	0.46	-
	ΔT	20.27	17.55	13.32	-	20.52	17.76	13.48	-	20.54	17.78	13.50	-	20.69	17.91	13.59	-	20.40	17.66	13.40	-	20.40	17.66	13.40	-
kW	8.2	8.3	8.5	-	8.7	8.9	9.1	-	9.2	9.4	9.6	-	9.6	9.8	10.1	-	10.0	10.2	10.5	-	10.0	10.2	10.5	-	
Hi PR	245	263	278	-	274	295	312	-	312	336	355	-	355	383	404	-	400	430	454	-	400	430	454	-	
Lo PR	104	110	120	-	110	117	127	-	114	121	132	-	120	127	139	-	125	133	146	-	125	133	146	-	
MBh	102	106	116	-	99	103	113	-	97	101	110	-	95	98	108	-	90	93	102	-	90	93	102	-	
S/T	0.67	0.56	0.39	-	0.70	0.58	0.40	-	0.72	0.60	0.41	-	0.74	0.62	0.43	-	0.77	0.64	0.44	-	0.77	0.64	0.44	-	
ΔT	23	20	15	-	23	20	15	-	23	20	15	-	23	20	15	-	23	20	15	-	23	20	15	-	
kW	8	8	8	-	9	9	9	-	9	9	9	-	9	10	10	-	10	10	10	-	10	10	10	-	
Hi PR	237	255	270	-	266	286	302	-	303	326	344	-	345	371	392	-	388	417	441	-	388	417	441	-	
Lo PR	101	107	117	-	106	113	123	-	110	117	128	-	116	123	135	-	122	129	141	-	122	129	141	-	
75	MBh	116	119	129	138	113	116	126	135	110	113	123	132	108	111	120	129	102	105	114	122	102	105	114	122
	S/T	0.83	0.75	0.56	0.4	0.86	0.77	0.58	0.4	0.89	0.79	0.60	0.4	0.91	0.82	0.62	0.4	0.95	0.85	0.64	0.4	0.95	0.85	0.64	0.4
	ΔT	22.5	20.7	17.0	11.7	22.8	21.0	17.2	11.9	22.8	21.0	17.2	11.9	23.0	21.1	17.3	12.0	22.6	20.8	17.1	11.8	22.6	20.8	17.1	11.8
	kW	8.3	8.4	8.7	8.9	8.8	9.0	9.3	9.5	9.3	9.5	9.8	10.1	9.8	9.9	10.2	10.5	10.1	10.3	10.6	10.9	10.1	10.3	10.6	10.9
	Hi PR	250	269	284	296	280	301	318	332	318	343	362	377	363	390	412	430	408	439	464	484	408	439	464	484
	Lo PR	106	113	123	131	112	119	130	138	116	124	135	144	122	130	142	151	128	136	148	158	128	136	148	158
	MBh	112	116	125	134	110	113	122	131	107	110	119	128	104	107	116	125	99	102	111	119	99	102	111	119
	S/T	0.79	0.71	0.54	0.3	0.82	0.74	0.56	0.4	0.84	0.76	0.57	0.4	0.87	0.78	0.59	0.4	0.90	0.81	0.61	0.4	0.90	0.81	0.61	0.4
	ΔT	23.4	21.6	17.7	12.2	23.7	21.8	17.9	12.4	23.7	21.9	17.9	12.4	23.9	22.0	18.0	12.5	23.6	21.7	17.8	12.3	23.6	21.7	17.8	12.3
	kW	8.2	8.4	8.6	8.8	8.8	8.9	9.2	9.5	9.3	9.4	9.7	10.0	9.7	9.9	10.2	10.5	10.0	10.2	10.5	10.9	10.0	10.2	10.5	10.9
Hi PR	247	266	281	293	277	298	315	329	315	339	358	374	359	386	408	426	404	435	459	479	404	435	459	479	
Lo PR	105	111	122	130	111	118	128	137	115	122	134	142	121	128	140	149	127	135	147	157	127	135	147	157	
MBh	104	107	115	124	101	104	113	121	99	102	110	118	96	99	107	115	92	94	102	109	92	94	102	109	
S/T	0.77	0.69	0.52	0.3	0.79	0.71	0.54	0.3	0.81	0.73	0.55	0.4	0.84	0.75	0.57	0.4	0.87	0.78	0.59	0.4	0.87	0.78	0.59	0.4	
ΔT	26.1	24.0	19.7	13.6	26.4	24.3	19.9	13.7	26.4	24.3	19.9	13.8	26.6	24.5	20.1	13.9	26.2	24.2	19.8	13.7	26.2	24.2	19.8	13.7	
kW	8.1	8.2	8.4	8.7	8.6	8.7	9.0	9.2	9.1	9.2	9.5	9.8	9.5	9.7	9.9	10.2	9.8	10.0	10.3	10.6	9.8	10.0	10.3	10.6	
Hi PR	240	258	272	284	269	289	306	319	306	329	348	362	348	375	396	413	392	422	445	464	392	422	445	464	
Lo PR	102	108	118	126	107	114	125	133	112	119	130	138	117	125	136	145	123	131	143	152	123	131	143	152	

IDB: Entering Indoor Dry Bulb Temperature  
 High and low pressures are measured at the liquid and suction access fittings.  
 Shaded area reflects ACCA (TVA) Rating Conditions  
 Design Superheat 7±2 °F, Design Subcooling 12 ±2 °F, pressures measured @ the suction and liquid service ports, AHRI 95 test conditions  
 Amps: Unit amps (comp. + evaporator + condenser fan motors)

IDB		OUTDOOR AMBIENT TEMPERATURE																								
		65				75				85				95				105				115				
		59	63	67	71	59	63	67	71	59	63	67	71	59	63	67	71	59	63	67	71	59	63	67	71	
3938		MBh	118	120	128	137	115	117	125	134	112	115	122	131	109	112	119	128	104	106	114	121	96	98	105	112
		S/T	0.91	0.86	0.70	0.5	0.95	0.89	0.72	0.5	1.00	0.91	0.74	0.6	1.00	0.94	0.77	0.6	1.00	1.00	0.79	0.6	1.00	1.00	0.80	0.6
		ΔT	25.1	24.1	20.9	16.7	25.4	24.4	21.2	16.9	26.2	24.4	21.2	16.9	25.6	24.6	21.4	17.1	24.3	24.8	21.1	16.8	22.5	23.0	19.7	15.7
80		kW	8.34	8.49	8.73	9.0	8.90	9.07	9.32	9.6	9.39	9.57	9.85	10.1	9.83	10.02	10.31	10.6	10.20	10.40	10.71	11.0	10.52	10.73	11.05	11.4
		Hi PR	252	271	286	299	283	304	321	335	322	346	366	381	366	394	416	434	412	444	468	489	455	490	517	540
		Lo PR	107	114	124	132	113	120	131	140	117	125	136	145	123	131	143	152	129	137	150	160	134	142	155	165
		MBh	114	117	125	133	112	114	122	130	109	111	119	127	106	109	116	124	101	103	110	118	94	96	102	109
		S/T	0.87	0.82	0.67	0.50	0.90	0.85	0.69	0.52	0.93	0.87	0.71	0.53	0.96	0.90	0.73	0.55	0.99	0.93	0.76	0.57	1.00	0.94	0.76	0.57
		ΔT	26.16	25.07	21.80	17.4	26.48	25.38	22.07	17.6	26.51	25.40	22.09	17.6	26.69	25.58	22.24	17.8	26.32	25.22	21.93	17.5	24.56	23.56	20.49	16.4
		kW	8.3	8.4	8.7	8.9	8.8	9.0	9.3	9.5	9.3	9.5	9.8	10.1	9.8	9.9	10.2	10.5	10.1	10.3	10.6	11.0	10.4	10.6	11.0	11.3
		Hi PR	250	269	284	296	280	301	318	332	318	343	362	377	363	390	412	430	408	439	464	484	451	485	512	534
		Lo PR	106	113	123	131	112	119	130	138	116	124	135	144	122	130	142	151	128	136	149	158	132	141	154	164
		MBh	105	108	115	123	103	105	112	120	101	103	110	117	98	100	107	114	93	95	102	109	86	88	94	101
		S/T	0.84	0.79	0.64	0.5	0.87	0.82	0.67	0.5	0.89	0.84	0.68	0.5	0.92	0.86	0.70	0.5	0.96	0.90	0.73	0.5	0.97	0.91	0.74	0.6
		ΔT	29	28	24	19.4	29	28	25	19.6	29	28	25	19.6	30	28	25	19.8	29	28	24	19.5	27	26	23	18.2
		kW	8.1	8.3	8.5	8.7	8.6	8.8	9.1	9.3	9.1	9.3	9.6	9.8	9.5	9.7	10.0	10.3	9.9	10.1	10.4	10.7	10.2	10.4	10.7	11.0
		Hi PR	242	261	275	287	272	292	309	322	309	332	351	366	352	379	400	417	396	426	450	469	437	471	497	518
		Lo PR	103	109	119	127	108	115	126	134	113	120	131	139	118	126	137	146	124	132	144	153	128	136	149	159

IDB		OUTDOOR AMBIENT TEMPERATURE																								
		65				75				85				95				105				115				
		59	63	67	71	59	63	67	71	59	63	67	71	59	63	67	71	59	63	67	71	59	63	67	71	
3938		MBh	120	122	128	136	117	119	125	133	114	116	122	130	111	114	119	127	106	108	113	120	98	100	105	112
		S/T	0.96	0.92	0.83	0.7	0.99	0.96	0.86	0.7	1.00	0.98	0.89	0.7	1.00	1.00	0.92	0.7	1.00	1.00	0.95	0.8	1.00	1.00	0.96	0.8
		ΔT	26.8	26.3	24.9	21.6	27.1	26.7	25.2	21.8	26.7	26.7	25.2	21.8	26.0	26.5	25.4	22.0	24.7	25.2	25.1	21.7	22.9	23.3	23.4	20.3
		kW	8.40	8.55	8.79	9.0	8.96	9.13	9.39	9.7	9.46	9.64	9.92	10.2	9.90	10.09	10.39	10.7	10.27	10.48	10.79	11.1	10.59	10.81	11.13	11.5
		Hi PR	255	274	289	302	286	307	325	339	325	350	369	385	370	398	420	439	416	448	473	493	460	495	523	545
		Lo PR	108	115	125	133	114	121	132	141	118	126	138	147	124	132	145	154	130	139	151	161	135	144	157	167
		MBh	116	118	124	132	114	116	121	129	111	113	118	126	108	110	115	123	103	105	110	117	95	97	102	108
		S/T	0.91	0.88	0.80	0.65	0.95	0.91	0.82	0.67	0.97	0.94	0.85	0.69	1.00	0.97	0.87	0.71	1.00	1.00	0.91	0.74	1.00	1.00	0.91	0.74
		ΔT	27.90	27.44	25.94	22.5	28.24	27.78	26.26	22.7	28.27	27.81	26.28	22.8	28.40	28.00	26.47	22.9	26.98	27.50	26.10	22.6	24.99	25.47	24.38	21.1
		kW	8.3	8.5	8.7	9.0	8.9	9.1	9.3	9.6	9.4	9.6	9.8	10.1	9.8	10.0	10.3	10.6	10.2	10.4	10.7	11.0	10.5	10.7	11.0	11.4
		Hi PR	252	271	286	299	283	304	321	335	322	346	366	381	366	394	416	434	412	444	468	489	455	490	517	540
		Lo PR	107	114	124	132	113	120	131	140	117	125	136	145	123	131	143	152	129	137	150	160	134	142	155	165
		MBh	107	109	115	122	105	107	112	119	102	104	109	116	100	102	107	114	95	97	101	108	88	90	94	100
		S/T	0.88	0.85	0.77	0.6	0.91	0.88	0.80	0.6	0.94	0.90	0.82	0.7	0.97	0.93	0.84	0.7	1.00	0.97	0.87	0.7	1.00	0.98	0.88	0.7
		ΔT	31.0	30.5	28.9	25.0	31.4	30.9	29.2	25.3	31.5	30.9	29.2	25.3	31.7	31.2	29.4	25.5	31.1	30.7	29.0	25.1	28.8	28.7	27.1	23.5
		kW	8.2	8.3	8.5	8.8	8.7	8.9	9.1	9.4	9.2	9.4	9.6	9.9	9.6	9.8	10.1	10.4	10.0	10.2	10.5	10.8	10.3	10.5	10.8	11.1
		Hi PR	244	263	278	290	274	295	312	325	312	336	355	370	355	382	404	421	400	430	454	474	442	475	502	524
		Lo PR	104	110	120	128	109	116	127	135	114	121	132	141	120	127	139	148	125	133	145	155	130	138	150	160

IDB: Entering Indoor Dry Bulb Temperature  
 High and low pressures are measured at the liquid and suction access fittings.  
 Shaded area reflects AHRI Rating Conditions  
 Design Superheat 7±2 °F; Design Subcooling 12 ±2 °F; pressures measured @ the suction and liquid service ports; AHRI 95 test conditions  
 Amps: Unit amps (comp. + evaporator + condenser fan motors)

IDB		OUTDOOR AMBIENT TEMPERATURE																																									
		65						75						85						95						105						115						125					
		59	63	67	71	59	63	67	71	59	63	67	71	59	63	67	71	59	63	67	71	59	63	67	71	59	63	67	71	59	63	67	71										
70	4400	MBh	141.0	146.1	160.1	-	137.7	142.7	156.4	-	134.4	139.3	152.7	-	131.1	135.9	148.9	-	124.6	129.1	141.5	-	115.4	119.6	131.1	-	106.6	110.4	121.0	-													
		S/T	0.64	0.55	0.42	-	0.66	0.57	0.43	-	0.68	0.59	0.44	-	0.70	0.60	0.46	-	0.73	0.63	0.48	-	0.73	0.63	0.48	-	0.74	0.64	0.49	-													
		Delta T	19	17	14	-	19	17	14	-	19	17	14	-	19	17	14	-	19	17	14	-	18	16	13	-	16	15	12	-													
		KW	10.32	10.54	10.87	-	11.11	11.35	11.72	-	11.81	12.07	12.46	-	12.43	12.71	13.12	-	12.96	13.25	13.68	-	13.41	13.71	14.17	-	13.89	14.20	14.68	-													
		AMPS	27.4	28.1	28.9	-	29.57	30.3	31.2	-	32.1	32.8	33.9	-	34.2	35.0	36.2	-	36.4	37.2	38.5	-	38.5	39.4	40.7	-	40.7	41.6	43.0	-													
		LO PR	106	113	123	-	112	119	130	-	116	124	135	-	122	130	142	-	128	136	149	-	133	141	154	-	134	142	155	-													
	3200	MBh	138.9	144.0	157.7	-	135.7	140.6	154.1	-	132.4	137.3	150.4	-	129.2	133.9	146.7	-	122.7	127.2	139.4	-	113.7	117.9	129.1	-	105.0	108.8	119.2	-													
		S/T	0.63	0.53	0.37	-	0.66	0.55	0.38	-	0.67	0.56	0.39	-	0.69	0.58	0.40	-	0.72	0.60	0.42	-	0.73	0.61	0.42	-	0.79	0.66	0.45	-													
		Delta T	20	17	13	-	20	18	13	-	20	18	13	-	21	18	14	-	20	18	13	-	19	16	12	-	19	16	12	-													
		KW	10.26	10.48	10.81	-	11.05	11.29	11.65	-	11.75	12.00	12.39	-	12.36	12.63	13.05	-	12.88	13.17	13.60	-	13.33	13.63	14.08	-	13.69	14.00	14.46	-													
		AMPS	27.3	27.9	28.8	-	29.4	30.1	31.0	-	31.9	32.6	33.7	-	34.0	34.8	35.9	-	36.1	37.0	38.2	-	38.2	39.2	40.4	-	40.4	41.4	42.8	-													
		LO PR	105	112	122	-	111	118	129	-	116	123	134	-	122	129	141	-	127	135	148	-	132	140	153	-	133	141	154	-													
75	4400	MBh	143.4	147.6	159.8	171.5	140.0	144.2	156.1	167.5	136.7	140.8	152.4	163.5	133.4	137.3	148.6	159.5	126.7	130.5	141.2	151.5	117.4	120.8	130.8	-	108.4	111.6	120.8	-													
		S/T	0.73	0.67	0.55	0.33	0.76	0.70	0.57	0.34	0.77	0.71	0.58	0.37	0.80	0.74	0.60	0.38	0.83	0.76	0.63	0.37	0.84	0.77	0.63	-	0.91	0.83	0.68	-													
		Delta T	22	21	18.36	12	22	21	19	12	22	21	19	13	22	21	19	13	22	21	18	12	21	19	17	-	21	19	17	-													
		KW	10.40	10.62	10.96	11.31	11.20	11.45	11.81	12.20	11.91	12.17	12.57	12.99	12.54	12.81	13.24	13.68	13.07	13.36	13.80	14.27	13.52	13.83	14.29	-	13.89	14.20	14.68	-													
		AMPS	27.7	28.3	29.2	30.3	29.8	30.5	31.5	32.7	32.3	33.1	34.2	35.4	34.5	35.3	36.5	37.9	36.7	37.6	38.8	40.3	38.8	39.8	41.1	-	41.0	42.0	43.4	-													
		LO PR	107	114	124	133	113	120	131	140	118	125	137	146	124	131	144	153	130	138	150	160	134	143	156	-	135	144	157	-													
	3200	MBh	141.3	145.4	157.4	169.0	138.0	142.1	153.8	165.0	134.7	138.7	150.1	161.1	131.4	135.3	146.4	157.2	124.8	128.5	139.1	149.3	115.6	119.1	128.9	-	106.8	109.9	119.0	-													
		S/T	0.72	0.64	0.49	0.31	0.74	0.67	0.50	0.32	0.76	0.68	0.52	0.33	0.79	0.71	0.53	0.34	0.82	0.73	0.55	0.36	0.83	0.74	0.56	-	0.89	0.80	0.60	-													
		Delta T	23	21	18	12	24	22	18	12	24	22	18	12	24	22	18	12	23	22	18	12	22	20	17	-	22	20	17	-													
		KW	10.35	10.56	10.90	11.25	11.14	11.38	11.75	12.13	11.84	12.10	12.50	12.91	12.46	12.74	13.16	13.60	12.99	13.28	13.72	14.18	13.45	13.75	14.21	-	13.81	14.12	14.59	-													
		AMPS	27.5	28.1	29.0	30.1	29.7	30.3	31.3	32.5	32.1	32.9	34.0	35.2	34.3	35.1	36.3	37.6	36.5	37.3	38.6	40.0	38.6	39.5	40.8	-	40.8	41.8	43.2	-													
		LO PR	106	113	124	132	112	120	131	139	117	124	136	145	123	131	143	152	129	137	149	159	133	142	155	-	134	143	156	-													
3200	MBh	130.4	134.2	145.3	155.9	127.3	131.1	141.9	152.3	124.3	128.0	138.5	148.7	121.3	124.9	135.2	145.1	115.2	118.6	128.4	137.8	106.7	109.9	118.9	-	98.5	101.5	109.8	-														
	S/T	0.69	0.62	0.47	0.30	0.72	0.64	0.49	0.31	0.74	0.66	0.50	0.32	0.76	0.68	0.51	0.33	0.79	0.71	0.53	0.34	0.80	0.71	0.54	-	0.86	0.77	0.58	-														
	Delta T	26	24	20	14	26	24	20	14	26	24	20	14	26	24	20	14	26	24	20	14	24	22	18	-	24	22	18	-														
	KW	10.10	10.31	10.63	10.98	10.87	11.10	11.46	11.83	11.55	11.80	12.19	12.59	12.15	12.42	12.83	13.26	12.67	12.95	13.37	13.82	13.11	13.40	13.84	-	13.45	13.76	14.22	-														
	AMPS	26.8	27.4	28.3	29.3	28.9	29.5	30.5	31.6	31.3	32.0	33.1	34.3	33.4	34.2	35.3	36.6	35.5	36.3	37.5	38.9	37.5	38.4	39.7	-	39.7	40.6	42.0	-														
	LO PR	103	110	120	128	109	116	127	135	113	121	132	140	119	127	138	147	125	133	145	154	129	137	150	-	130	139	151	-														

\*NOTE: Shaded areas are TVA and ARI Rating Conditions IDB: Entering Indoor Dry Bulb Temperature  
 High and low pressures are measured at the liquid and suction access fittings. KW = Total system power  
 AMPS: Unit amps (comp.+ evaporator + condenser fan motors)



**TWO-SPEED STANDARD BELT DRIVE AT HIGH SPEED — DOWN SHOT**

ESP (" W.C.)	TURNS OPEN																	
	0			1			2			3			4			5		
	CFM	RPM	BHP	CFM	RPM	BHP	CFM	RPM	BHP	CFM	RPM	BHP	CFM	RPM	BHP	CFM	RPM	BHP
0.1	---	---	---	---	---	---	---	---	---	---	---	---	3617	704	1.07	3293	653	0.84
0.3	---	---	---	---	---	---	---	---	---	3541	749	1.15	3179	704	0.88	2757	656	0.66
0.5	---	---	---	---	---	---	3447	798	1.23	3049	754	0.94	2606	710	0.71	---	---	---
0.7	---	---	---	3400	848	1.33	2950	798	1.01	2474	754	0.75	---	---	---	---	---	---
0.9	3303	890	1.41	2871	848	1.11	2408	804	0.82	---	---	---	---	---	---	---	---	---
1.1	2838	897	1.23	---	---	---	---	---	---	---	---	---	---	---	---	---	---	---

**HIGH-STATIC BELT DRIVE TWO-SPEED AT HIGH SPEED — DOWN SHOT**

ESP (" W.C.)	TURNS OPEN																				
	0			1			2			3			4			5					
	CFM	RPM	BHP	CFM	RPM	BHP	CFM	RPM	BHP	CFM	RPM	BHP	CFM	RPM	BHP	CFM	RPM	BHP			
0.9	DO NOT OPERATE			---	---	---	---	---	---	---	---	---	---	---	---	3401	909	1.51			
1.1				---	---	---	---	---	---	---	---	---	---	---	3428	965	1.71	2943	915	1.3	
1.3				---	---	---	---	---	---	---	---	3471	1015	1.9	3012	971	1.5	2423	920	1.12	
1.5				---	---	---	---	---	3722	1063	2.25	3041	1023	1.67	2503	976	1.31	---	---	---	
1.7				---	---	---	---	---	3359	1075	2.04	2540	1031	1.5	---	---	---	---	---	---	
1.9				3381	1119	2.22	2890	1080	1.78	---	---	---	---	---	---	---	---	---	---	---	---
2.1				3089	1129	2.04	---	---	---	---	---	---	---	---	---	---	---	---	---	---	---

**TWO-SPEED STANDARD BELT DRIVE AT HIGH SPEED — HORIZONTAL**

ESP (" W.C.)	TURNS OPEN																	
	0			1			2			3			4			5		
	CFM	RPM	BHP	CFM	RPM	BHP	CFM	RPM	BHP	CFM	RPM	BHP	CFM	RPM	BHP	CFM	RPM	BHP
0.1	---	---	---	---	---	---	---	---	---	---	---	---	3625	701	1.08	3309	660	0.86
0.3	---	---	---	---	---	---	3815	797	1.44	3468	747	1.11	3177	703	0.88	2796	663	0.68
0.5	---	---	---	3780	841	1.52	3405	803	1.23	3053	753	0.94	2608	709	0.68	2225	665	0.53
0.7	3687	885	1.6	3327	847	1.29	2968	805	1.02	2423	758	0.73	---	---	---	---	---	---
0.9	3236	891	1.39	2850	852	1.1	2352	807	0.8	---	---	---	---	---	---	---	---	---
1.1	2713	896	1.17	---	---	---	---	---	---	---	---	---	---	---	---	---	---	---

**HIGH-STATIC BELT DRIVE TWO-SPEED AT HIGH SPEED — HORIZONTAL**

ESP (" W.C.)	TURNS OPEN																			
	0			1			2			3			4			5				
	CFM	RPM	BHP	CFM	RPM	BHP	CFM	RPM	BHP	CFM	RPM	BHP	CFM	RPM	BHP	CFM	RPM	BHP		
0.9	DO NOT OPERATE			---	---	---	---	---	---	---	---	---	---	---	---	3447	902	1.54		
1.1				---	---	---	---	---	---	---	---	---	---	---	3398	956	1.65	3006	908	1.31
1.3				---	---	---	---	---	---	---	---	3486	1008	1.87	2960	962	1.44	---	---	---
1.5				---	---	---	---	---	3514	1057	2.07	2949	1019	1.62	---	---	---	---	---	---
1.7				3388	1103	2.18	3036	1069	1.84	---	---	---	---	---	---	---	---	---	---	---
1.9				2959	1114	2.0	---	---	---	---	---	---	---	---	---	---	---	---	---	---
2.1				2527	1124	1.86	---	---	---	---	---	---	---	---	---	---	---	---	---	---

**NOTES**

- Assume dry coil with filter in place; CFM correction for wet coil = 3%
- Any adjustment made to the blower should not cause the motor to draw more than the motor rated RLA. Applications that exceed the above could require a larger motor. Minimum rated SCFM is 350 per ton.



**TWO-SPEED STANDARD BELT DRIVE AT HIGH SPEED — DOWN SHOT**

ESP (" W.C.)	TURNS OPEN																	
	0			1			2			3			4			5		
	CFM	RPM	BHP	CFM	RPM	BHP	CFM	RPM	BHP	CFM	RPM	BHP	CFM	RPM	BHP	CFM	RPM	BHP
0.1	---	---	---	---	---	---	---	---	---	---	---	---	3467	701	1.04	3143	650	0.81
0.3	---	---	---	---	---	---	---	---	---	3391	746	1.12	3029	701	0.85	2607	653	0.63
0.5	---	---	---	---	---	---	3297	795	1.20	2899	751	0.91	2456	707	0.68	---	---	---
0.7	---	---	---	3250	845	1.30	2800	795	0.98	---	---	---	---	---	---	---	---	---
0.9	3153	887	1.38	2721	845	1.08	---	---	---	---	---	---	---	---	---	---	---	---
1.1	2688	894	1.20	---	---	---	---	---	---	---	---	---	---	---	---	---	---	---

**HIGH-STATIC BELT DRIVE TWO-SPEED AT HIGH SPEED — DOWN SHOT**

ESP (" W.C.)	TURNS OPEN																	
	0			1			2			3			4			5		
	CFM	RPM	BHP	CFM	RPM	BHP	CFM	RPM	BHP	CFM	RPM	BHP	CFM	RPM	BHP	CFM	RPM	BHP
0.9	---	---	---	---	---	---	---	---	---	---	---	---	---	---	---	3251	906	1.48
1.1	---	---	---	---	---	---	---	---	---	---	---	---	3278	962	1.68	2793	912	1.27
1.3	---	---	---	---	---	---	---	---	---	3321	1012	1.87	2862	968	1.47	---	---	---
1.5	---	---	---	---	---	---	3572	1060	2.22	2891	1020	1.64	---	---	---	---	---	---
1.7	---	---	---	---	---	---	3209	1072	2.01	---	---	---	---	---	---	---	---	---
1.9	---	---	---	3231	1116	2.19	2740	1077	1.75	---	---	---	---	---	---	---	---	---
2.1	3256	1156	2.31	2939	1126	2.01	---	---	---	---	---	---	---	---	---	---	---	---

**TWO-SPEED STANDARD BELT DRIVE AT HIGH SPEED --- HORIZONTAL**

ESP (" W.C.)	TURNS OPEN																	
	0			1			2			3			4			5		
	CFM	RPM	BHP	CFM	RPM	BHP	CFM	RPM	BHP	CFM	RPM	BHP	CFM	RPM	BHP	CFM	RPM	BHP
0.1	---	---	---	---	---	---	---	---	---	---	---	---	3475	698	1.05	3159	657	0.83
0.3	---	---	---	---	---	---	3665	794	1.41	3318	744	1.08	3027	700	0.85	2646	660	0.65
0.5	---	---	---	3630	838	1.49	3255	800	1.2	2903	750	0.91	2458	706	0.65	---	---	---
0.7	3537	882	1.57	3177	844	1.26	2818	802	0.99	---	---	---	---	---	---	---	---	---
0.9	3086	888	1.36	2700	849	1.07	---	---	---	---	---	---	---	---	---	---	---	---
1.1	2563	893	1.14	---	---	---	---	---	---	---	---	---	---	---	---	---	---	---

**HIGH-STATIC BELT DRIVE TWO-SPEED AT HIGH SPEED — HORIZONTAL**

ESP (" W.C.)	TURNS OPEN																	
	0			1			2			3			4			5		
	CFM	RPM	BHP	CFM	RPM	BHP	CFM	RPM	BHP	CFM	RPM	BHP	CFM	RPM	BHP	CFM	RPM	BHP
0.9	---	---	---	---	---	---	---	---	---	---	---	---	---	---	---	3297	899	1.51
1.1	---	---	---	---	---	---	---	---	---	---	---	---	3248	953	1.62	2856	905	1.28
1.3	---	---	---	---	---	---	---	---	---	3336	1005	1.84	2810	959	1.41	---	---	---
1.5	---	---	---	---	---	---	3364	1054	2.04	2799	1016	1.59	---	---	---	---	---	---
1.7	---	---	---	3238	1100	2.15	2886	1066	1.81	---	---	---	---	---	---	---	---	---
1.9	3188	1146	2.23	2809	1111	1.97	---	---	---	---	---	---	---	---	---	---	---	---

**NOTES**

- Assume dry coil with filter in place; CFM correction for wet coil = 3%
- Any adjustment made to the blower should not cause the motor to draw more than the motor rated RLA. Applications that exceed the above could require a larger motor. Minimum rated SCFM is 350 per ton.

**TWO-SPEED STANDARD BELT-DRIVE AT HIGH SPEED — DOWN SHOT**

ESP (" W.C.)	TURNS OPEN																	
	0			1			2			3			4			5		
	CFM	RPM	BHP	CFM	RPM	BHP	CFM	RPM	BHP	CFM	RPM	BHP	CFM	RPM	BHP	CFM	RPM	BHP
0.2	---	---	---	---	---	---	4632	781	1.76	4203	742	1.41	3927	691	1.17	3510	658	0.9
0.4	---	---	---	4488	825	1.85	4183	783	1.54	3733	748	1.23	3512	693	1	---	---	---
0.6	4442	880	2.02	4066	830	1.63	3717	786	1.31	---	---	---	---	---	---	---	---	---
0.8	4001	885	1.77	3622	835	1.41	---	---	---	---	---	---	---	---	---	---	---	---
1	3603	890	1.55	---	---	---	---	---	---	---	---	---	---	---	---	---	---	---
1.2	---	---	---	---	---	---	---	---	---	---	---	---	---	---	---	---	---	---

**HIGH-STATIC BELT DRIVE TWO-SPEED AT HIGH SPEED — DOWN SHOT**

ESP (" W.C.)	TURNS OPEN											
	0		1		2		3		4		5	
	CFM	BHP	CFM	BHP	CFM	BHP	CFM	BHP	CFM	BHP	CFM	BHP
0.8	---	---	---	---	---	---	---	---	---	---	4288	2.63
1.0	---	---	---	---	---	---	---	---	4273	2.83	3858	2.37
1.2	---	---	---	---	---	---	4296	3.07	3780	2.52	3327	2.08
1.4	---	---	4551	3.81	4257	3.31	3706	2.65	3197	2.17	---	---
1.6	---	---	4083	3.42	3842	2.99	3116	2.22	---	---	---	---
1.8	4230	3.78	3809	3.18	3285	2.66	---	---	---	---	---	---
2.0	3859	3.45	3322	2.87	---	---	---	---	---	---	---	---
2.2	3445	3.11	---	---	---	---	---	---	---	---	---	---

**TWO-SPEED STANDARD BELT-DRIVE AT HIGH SPEED — HORIZONTAL**

ESP (" W.C.)	TURNS OPEN																	
	0			1			2			3			4			5		
	CFM	RPM	BHP	CFM	RPM	BHP	CFM	RPM	BHP	CFM	RPM	BHP	CFM	RPM	BHP	CFM	RPM	BHP
0.2	---	---	---	---	---	---	---	---	---	4562	736	1.58	4253	691	1.29	3893	642	1
0.4	---	---	---	---	---	---	4497	780	1.7	4200	736	1.41	3735	691	1.06	3322	648	0.83
0.6	---	---	---	4467	824	1.81	4221	784	1.55	3689	741	1.18	---	---	---	---	---	---
0.8	4564	873	2.06	4170	830	1.68	3677	785	1.29	---	---	---	---	---	---	---	---	---
1	4129	875	1.81	3498	835	1.34	---	---	---	---	---	---	---	---	---	---	---	---
1.2	3558	879	1.49	---	---	---	---	---	---	---	---	---	---	---	---	---	---	---

**HIGH-STATIC BELT DRIVE TWO-SPEED AT HIGH SPEED — HORIZONTAL**

ESP (" W.C.)	TURNS OPEN												
	0		1		2		3		4		5		
	CFM	BHP	CFM	BHP	CFM	BHP	CFM	BHP	CFM	BHP	CFM	BHP	
0.8	---	---	---	---	---	---	---	---	---	---	4388	2.74	
1.0	---	---	---	---	---	---	---	---	4374	2.95	4039	2.52	
1.2	---	---	---	---	---	---	---	4406	3.22	3975	2.67	3451	2.15
1.4	---	---	---	---	4320	3.36	3965	2.90	3505	2.38	---	---	
1.6	---	---	4378	3.61	3493	2.72	3381	2.52	3015	2.06	---	---	
1.8	4440	3.77	3729	3.07	---	---	---	---	---	---	---	---	
2.0	4015	3.38	3080	2.52	---	---	---	---	---	---	---	---	
2.2	3522	2.96	---	---	---	---	---	---	---	---	---	---	

**TWO-SPEED STANDARD BELT DRIVE AT HIGH SPEED — DOWN SHOT**

ESP (" W.C.)	TURNS OPEN											
	0		1		2		3		4		5	
	CFM	BHP	CFM	BHP	CFM	BHP	CFM	BHP	CFM	BHP	CFM	BHP
0.2	---	---	5605	2.74	5271	2.32	4915	1.95	4587	1.63	4185	1.32
0.4	5548	2.96	5202	2.51	4792	2.09	4439	1.73	4073	1.43	3606	1.14
0.6	5136	2.71	4533	2.14	4315	1.84	3860	1.51	---	---	---	---
0.8	4692	2.51	3931	1.86	3742	1.60	---	---	---	---	---	---
1.0	4166	2.17	---	---	---	---	---	---	---	---	---	---

**HIGH-STATIC BELT DRIVE TWO-SPEED AT HIGH SPEED — DOWN SHOT**

ESP (" W.C.)	TURNS OPEN											
	0		1		2		3		4		5	
	CFM	BHP	CFM	BHP	CFM	BHP	CFM	BHP	CFM	BHP	CFM	BHP
0.8	---	---	---	---	---	---	5332	3.64	4910	3.09	4479	2.55
1.0	---	---	5660	4.52	5271	3.87	4827	3.28	4361	2.74	3932	2.22
1.2	5582	5.05	5187	4.12	4802	3.52	4332	2.93	3822	2.38	---	---
1.4	5174	4.65	4707	3.69	4260	3.09	3683	2.48	---	---	---	---
1.6	4695	4.23	4208	3.28	3586	2.61	---	---	---	---	---	---
1.8	4187	3.79	3680	2.86	---	---	---	---	---	---	---	---
2.0	3602	3.30	---	---	---	---	---	---	---	---	---	---

**TWO-SPEED STANDARD BELT DRIVE AT HIGH SPEED — HORIZONTAL**

ESP (" W.C.)	TURNS OPEN											
	0		1		2		3		4		5	
	CFM	BHP	CFM	BHP	CFM	BHP	CFM	BHP	CFM	BHP	CFM	BHP
0.2	5230	3.15	4998	2.72	4592	2.24	4474	1.99	4160	1.67	3825	1.40
0.4	4933	2.92	4619	2.47	4244	2.05	4063	1.79	3722	1.48	---	---
0.6	4602	2.69	4220	2.22	3840	1.84	3652	1.58	---	---	---	---
0.8	4265	2.46	3797	1.98	---	---	---	---	---	---	---	---
1.0	3883	2.21	---	---	---	---	---	---	---	---	---	---

**HIGH-STATIC BELT DRIVE TWO-SPEED AT HIGH SPEED — HORIZONTAL**

ESP (" W.C.)	TURNS OPEN											
	0		1		2		3		4		5	
	CFM	BHP	CFM	BHP	CFM	BHP	CFM	BHP	CFM	BHP	CFM	BHP
0.8	5592	4.84	5460	4.22	5178	3.74	4851	3.32	4481	2.84	4115	2.38
1.0	5436	4.52	5120	3.92	4770	3.41	4445	3.02	4087	2.57	3673	2.13
1.2	5125	4.22	4780	3.62	4354	3.08	4036	2.73	3670	2.88	---	---
1.4	4795	3.91	4421	3.31	3990	2.81	3602	2.42	---	---	---	---
1.6	4410	3.57	4036	3.00	3652	2.57	---	---	---	---	---	---
1.8	3996	3.22	3593	2.66	---	---	---	---	---	---	---	---
2.0	3760	2.96	---	---	---	---	---	---	---	---	---	---

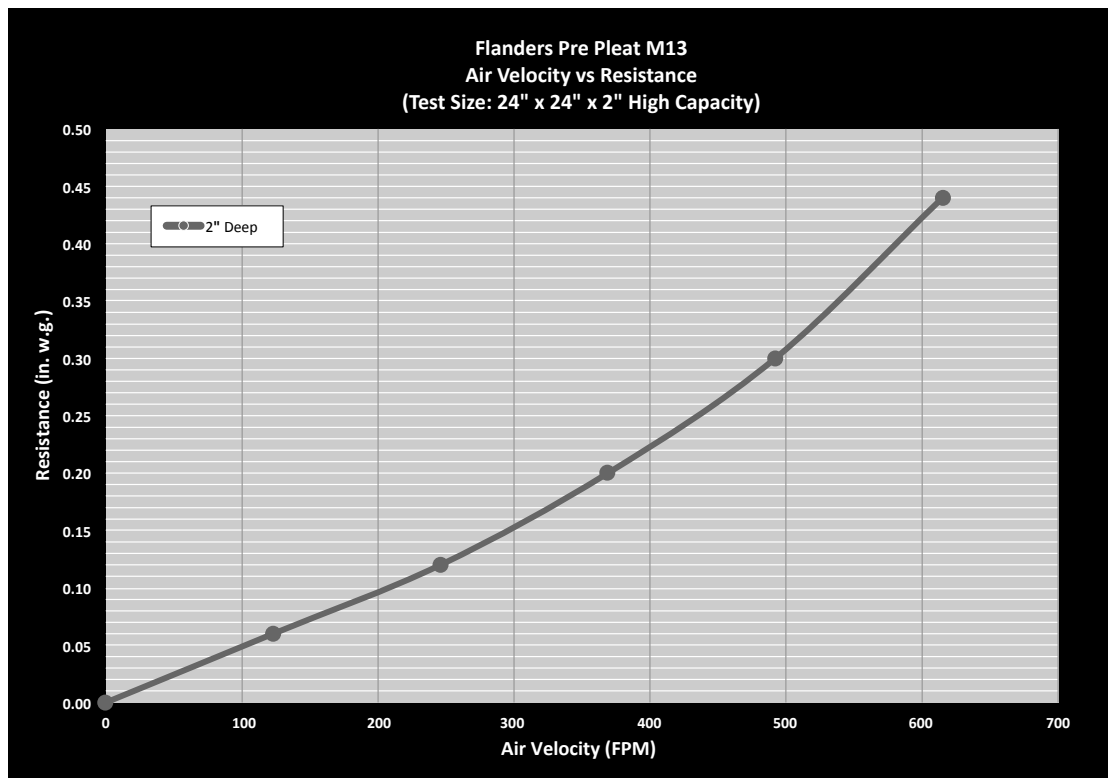
**NOTES**

- Assume dry coil with filter in place; CFM correction for wet coil = 3%
- Any adjustment made to the blower should not cause the motor to draw more than the motor rated RLA. Application that exceed the above could require a larger motor. Minimum rated SCFM is 350 per ton.

**AIRFLOW PRESSURE DROP OF DOWNFLOW ECONOMIZER FOR 7.5 TO 12.5 TON ROOFTOP UNITS (100% RETURN AIR)**

SCFM	2000	2500	3000	3500	4000	4500	5000	5500
in. WG	0.02	0.04	0.06	0.09	0.13	0.18	0.23	0.29

HIGH EFFICIENCY MERV 13 AIR FILTER OPTION



TONNAGE:	FILTER NOMINAL SIZE:	PART NUMBER:	ORDER QTY:
7.5	16 x 20 x 2	0160L00205	4
7.5(HP), 8.5, 10	16 X 24 X 2	0160L00206	4
12.5	20 x 20 x 2	0160L00201	4
	14 x 20 x 2	0160L00204	2

CRANKCASE HEATER SELECTION TABLE

ZP/ZPS...	COMPRESSOR DIAMETER	COMPRESSOR VOLTAGE			CRANKCASE HEATER WATTS
		230V	460V	575V	
16-31	5.5"	0163R00002S	0163R00031S	0163R00032S	40
39-83	6.58/7.3"	0130L00017S	0130L00018S	0130L00019S	70
103-137	9.14"	0130L00020S	0130L00021S	0130L00022S	90

DC* TONNAGE	COMPRESSOR VOLTAGE			CRANKCASE HEATER WATTS
	230V	460V	575V	
7.5 Ton-12.5 Ton	0130L00017S	0130L00018S	0130L00019S	70

MODEL NUMBER	ELECTRICAL RATING	COMPRESSOR CIRCUIT 1		COMPRESSOR CIRCUIT 2		OUTDOOR FAN MOTOR			INDOOR FAN MOTOR			OPTIONAL ELECTRIC HEAT			OPTIONAL POWERED CONVENIENCE OUTLET	UNIT POWER SUPPLY	
		RLA	LRA	RLA	LRA	QTY	HP	FLA	TYPE	HP	FLA	MODEL	KW*	FLA	FLA	MCA	MOP
DCC090XXX3W	208/230-3-60	13.1	83.1	13.1	83.1	2	0.25	1.4	2-speed High Static Belt Drive	2.00	6.0	-	-	-	38.4 / 38.4	50 / 50	
												EHK3-16	11.3 / 15.0	31.3 / 36.1	-	46.6 / 52.6	50 / 60
												EHK3-30	22.5 / 29.9	62.3 / 71.9	-	85.4 / 97.4	90 / 100
												EHK3-45	33.7 / 44.9	93.6 / 108	-	125 / 143	125 / 150
												-	-	-	7.2 / 6.5	45.6 / 44.9	50 / 50
												EHK3-16	11.3 / 15.0	31.3 / 36.1	7.2 / 6.5	55.6 / 60.7	60 / 70
												EHK3-30	22.5 / 29.9	62.3 / 71.9	7.2 / 6.5	94.4 / 106	100 / 110
EHK3-45	33.7 / 44.9	93.6 / 108	7.2 / 6.5	134 / 151	150 / 175												
DCC090XXX3V	208/230-3-60	13.1	83.1	13.1	83.1	2	0.25	1.4	2-speed Belt Drive	2.00	6.0	-	-	-	38.4 / 38.4	50 / 50	
												EHK3-16	11.3 / 15.0	31.3 / 36.1	-	46.6 / 52.6	50 / 60
												EHK3-30	22.5 / 29.9	62.3 / 71.9	-	85.4 / 97.4	90 / 100
												EHK3-45	33.7 / 44.9	93.6 / 108	-	125 / 143	125 / 150
												-	-	-	7.2 / 6.5	45.6 / 44.9	50 / 50
												EHK3-16	11.3 / 15.0	31.3 / 36.1	7.2 / 6.5	55.6 / 60.7	60 / 70
												EHK3-30	22.5 / 29.9	62.3 / 71.9	7.2 / 6.5	94.4 / 106	100 / 110
EHK3-45	33.7 / 44.9	93.6 / 108	7.2 / 6.5	134 / 151	150 / 175												
DCC090XXX4W	460-3-60	6.1	41.0	6.1	41.0	2	0.25	0.7	2-speed High Static Belt Drive	2.00	2.9	-	-	-	18.0	20	
												EHK4-16	15.0	18.0	-	26.2	30
												EHK4-30	29.9	36.0	-	48.6	50
												EHK4-45	44.9	54.0	-	71.1	80
												-	-	-	3.3	21.3	25
												EHK4-16	15.0	18.0	3.3	30.3	35
												EHK4-30	29.9	36.0	3.3	52.7	60
EHK4-45	44.9	54.0	3.3	75.3	80												
DCC090XXX4V	460-3-60	6.1	41.0	6.1	41.0	2	0.25	0.7	2-speed Belt Drive	2.00	2.9	-	-	-	18.0	20	
												EHK4-16	15.0	18.0	-	26.2	30
												EHK4-30	29.9	36.0	-	48.6	50
												EHK4-45	44.9	54.0	-	71.1	80
												-	-	-	3.3	21.3	25
												EHK4-16	15.0	18.0	3.3	30.3	35
												EHK4-30	29.9	36.0	3.3	52.7	60
EHK4-45	44.9	54.0	3.3	75.3	80												
DCC090XXX7W	575-3-60	4.4	33.0	4.4	33.0	2	0.25	0.6	2-speed High Static Belt Drive	2.00	2.4	-	-	-	13.4	15	
												EHK7-16	15.0	15.1	-	21.8	25
												EHK7-30	29.9	30.0	-	40.5	45
												EHK7-45	44.9	45.1	-	59.4	60
												-	-	-	2.6	16.0	20
												EHK7-16	15.0	15.1	2.6	25.1	30
												EHK7-30	29.9	30.0	2.6	43.8	45
EHK7-45	44.9	45.1	2.6	62.6	70												
DCC090XXX7V	575-3-60	4.4	33.0	4.4	33.0	2	0.25	0.6	2-speed Belt Drive	2.00	2.4	-	-	-	13.4	15	
												EHK7-16	15.0	15.1	-	21.8	25
												EHK7-30	29.9	30.0	-	40.5	45
												EHK7-45	44.9	45.1	-	59.4	60
												-	-	-	2.6	16.0	20
												EHK7-16	15.0	15.1	2.6	25.1	30
												EHK7-30	29.9	30.0	2.6	43.8	45
EHK7-45	44.9	45.1	2.6	62.6	70												

\* Electric Heater kW rating: Rated at 240v for 208-230v units; 480v for 460v units

MODEL NUMBER	ELECTRICAL RATING	COMPRESSOR CIRCUIT 1		COMPRESSOR CIRCUIT 2		OUTDOOR FAN MOTOR			INDOOR FAN MOTOR			OPTIONAL ELECTRIC HEAT			OPTIONAL POWERED CONVENIENCE OUTLET	UNIT POWER SUPPLY	
		RLA	LRA	RLA	LRA	QTY	HP	FLA	TYPE	HP	FLA	MODEL	KW*	FLA	FLA	MCA	MOP
DCC102XXX3W	208/230-3-60	14.5	98.0	14.5	98.0	2	0.25	1.4	2-speed High Static Belt Drive	2.00	6.0	-	-	-	41.4 / 41.4	50 / 50	
												EHK3-16	11.3 / 15.0	31.3 / 36.1	-	46.6 / 52.6	50 / 60
												EHK3-30	22.5 / 29.9	62.3 / 71.9	-	85.4 / 97.4	90 / 100
												EHK3-45	33.7 / 44.9	93.6 / 108	-	125 / 143	125 / 150
												-	-	-	7.2 / 6.5	48.6 / 47.9	60 / 60
												EHK3-16	11.3 / 15.0	31.3 / 36.1	7.2 / 6.5	55.6 / 60.7	60 / 70
												EHK3-30	22.5 / 29.9	62.3 / 71.9	7.2 / 6.5	94.4 / 106	100 / 110
EHK3-45	33.7 / 44.9	93.6 / 108	7.2 / 6.5	134 / 151	150 / 175												
DCC102XXX3V	208/230-3-60	14.5	98.0	14.5	98.0	2	0.25	1.4	2-speed Belt Drive	2.00	6.0	-	-	-	41.4 / 41.4	50 / 50	
												EHK3-16	11.3 / 15.0	31.3 / 36.1	-	46.6 / 52.6	50 / 60
												EHK3-30	22.5 / 29.9	62.3 / 71.9	-	85.4 / 97.4	90 / 100
												EHK3-45	33.7 / 44.9	93.6 / 108	-	125 / 143	125 / 150
												-	-	-	7.2 / 6.5	48.6 / 47.9	60 / 60
												EHK3-16	11.3 / 15.0	31.3 / 36.1	7.2 / 6.5	55.6 / 60.7	60 / 70
												EHK3-30	22.5 / 29.9	62.3 / 71.9	7.2 / 6.5	94.4 / 106	100 / 110
EHK3-45	33.7 / 44.9	93.6 / 108	7.2 / 6.5	134 / 151	150 / 175												
DCC102XXX4W	460-3-60	6.3	55.0	6.3	55.0	2	0.25	0.7	2-speed High Static Belt Drive	2.00	2.9	-	-	-	18.6	20	
												EHK4-16	15.0	18.0	-	26.2	30
												EHK4-30	29.9	36.0	-	48.6	50
												EHK4-45	44.9	54.0	-	71.1	80
												-	-	-	3.3	21.9	25
												EHK4-16	15.0	18.0	3.3	30.3	35
												EHK4-30	29.9	36.0	3.3	52.7	60
EHK4-45	44.9	54.0	3.3	75.3	80												
DCC102XXX4V	460-3-60	6.3	55.0	6.3	55.0	2	0.25	0.7	2-speed Belt Drive	2.00	2.9	-	-	-	18.6	20	
												EHK4-16	15.0	18.0	-	26.2	30
												EHK4-30	29.9	36.0	-	48.6	50
												EHK4-45	44.9	54.0	-	71.1	80
												-	-	-	3.3	21.9	25
												EHK4-16	15.0	18.0	3.3	30.3	35
												EHK4-30	29.9	36.0	3.3	52.7	60
EHK4-45	44.9	54.0	3.3	75.3	80												
DCC102XXX7W	575-3-60	6.0	41.0	6.0	41.0	2	0.25	0.6	2-speed High Static Belt Drive	2.00	2.4	-	-	-	17.2	20	
												EHK7-16	15.0	15.1	-	21.8	25
												EHK7-30	29.9	30.0	-	40.5	45
												EHK7-45	44.9	45.1	-	59.4	60
												-	-	-	2.6	19.8	25
												EHK7-16	15.0	15.1	2.6	25.1	30
												EHK7-30	29.9	30.0	2.6	43.8	45
EHK7-45	44.9	45.1	2.6	62.6	70												
DCC102XXX7V	575-3-60	6.0	41.0	6.0	41.0	2	0.25	0.6	2-speed Belt Drive	2.00	2.4	-	-	-	17.2	20	
												EHK7-16	15.0	15.1	-	21.8	25
												EHK7-30	29.9	30.0	-	40.5	45
												EHK7-45	44.9	45.1	-	59.4	60
												-	-	-	2.6	19.8	25
												EHK7-16	15.0	15.1	2.6	25.1	30
												EHK7-30	29.9	30.0	2.6	43.8	45
EHK7-45	44.9	45.1	2.6	62.6	70												

\* Electric Heater kW rating: Rated at 240v for 208-230v units; 480v for 460v units

MODEL NUMBER	ELECTRICAL RATING	COMPRESSOR CIRCUIT 1		COMPRESSOR CIRCUIT 2		OUTDOOR FAN MOTOR			INDOOR FAN MOTOR			OPTIONAL ELECTRIC HEAT			OPTIONAL POWERED CONVENIENCE OUTLET	UNIT POWER SUPPLY	
		RLA	LRA	RLA	LRA	QTY	HP	FLA	TYPE	HP	FLA	MODEL	KW*	FLA	FLA	MCA	MOP
DCC120XXX3W	208/230-3-60	16.0	110.0	16.0	110.0	2	0.33	2.0	2-speed High Static Belt Drive	5.00	14.0	-	-	-	-	53.9 / 53.9	60 / 60
												EHK3-16	11.3 / 15.0	31.3 / 36.1	-	56.6 / 62.6	60 / 70
												EHK3-30	22.5 / 29.9	62.3 / 71.9	-	95.4 / 107	100 / 110
												EHK3-45	33.7 / 44.9	93.6 / 108	-	135 / 153	150 / 175
												-	-	-	7.2 / 6.5	61.1 / 60.4	70 / 70
												EHK3-16	11.3 / 15.0	31.3 / 36.1	7.2 / 6.5	65.6 / 70.7	70 / 80
												EHK3-30	22.5 / 29.9	62.3 / 71.9	7.2 / 6.5	104 / 116	110 / 125
EHK3-45	33.7 / 44.9	93.6 / 108	7.2 / 6.5	144 / 161	150 / 175												
DCC120XXX3V	208/230-3-60	16.0	110.0	16.0	110.0	2	0.33	2.0	2-speed Belt Drive	2.00	6.4	-	-	-	-	46.3 / 46.3	60 / 60
												EHK3-16	11.3 / 15.0	31.3 / 36.1	-	47.1 / 53.1	60 / 60
												EHK3-30	22.5 / 29.9	62.3 / 71.9	-	85.9 / 97.9	90 / 100
												EHK3-45	33.7 / 44.9	93.6 / 108	-	125 / 143	125 / 150
												-	-	-	7.2 / 6.5	53.5 / 52.8	60 / 60
												EHK3-16	11.3 / 15.0	31.3 / 36.1	7.2 / 6.5	56.1 / 61.2	60 / 70
												EHK3-30	22.5 / 29.9	62.3 / 71.9	7.2 / 6.5	94.9 / 106	100 / 110
EHK3-45	33.7 / 44.9	93.6 / 108	7.2 / 6.5	134 / 151	150 / 175												
DCC120XXX4W	460-3-60	7.8	52.0	7.8	52.0	2	0.33	0.9	2-speed High Static Belt Drive	5.00	6.6	-	-	-	-	25.8	30
												EHK4-16	15.0	18.0	-	30.8	35
												EHK4-30	29.9	36.0	-	53.2	60
												EHK4-45	44.9	54.0	-	75.8	80
												-	-	-	3.3	29.1	35
												EHK4-16	15.0	18.0	3.3	34.9	35
												EHK4-30	29.9	36.0	3.3	57.3	60
EHK4-45	44.9	54.0	3.3	79.9	80												
DCC120XXX4V	460-3-60	7.8	52.0	7.8	52.0	2	0.33	0.9	2-speed Belt Drive	2.00	3.0	-	-	-	-	22.2	25
												EHK4-16	15.0	18.0	-	26.3	30
												EHK4-30	29.9	36.0	-	48.7	50
												EHK4-45	44.9	54.0	-	71.3	80
												-	-	-	3.3	25.5	30
												EHK4-16	15.0	18.0	3.3	30.4	35
												EHK4-30	29.9	36.0	3.3	52.8	60
EHK4-45	44.9	54.0	3.3	75.4	80												
DCC120XXX7W	575-3-60	5.7	38.9	5.7	38.9	2	0.33	0.7	2-speed High Static Belt Drive	5.00	5.2	-	-	-	-	19.4	25
												EHK7-16	15.0	15.1	-	25.3	30
												EHK7-30	29.9	30.0	-	44.0	45
												EHK7-45	44.9	45.1	-	62.9	70
												-	-	-	2.6	22.0	25
												EHK7-16	15.0	15.1	2.6	28.6	30
												EHK7-30	29.9	30.0	2.6	47.3	50
EHK7-45	44.9	45.1	2.6	66.1	70												
DCC120XXX7V	575-3-60	5.7	38.9	5.7	38.9	2	0.33	0.7	2-speed Belt Drive	2.00	2.4	-	-	-	-	16.6	20
												EHK7-16	15.0	15.1	-	21.8	25
												EHK7-30	29.9	30.0	-	40.5	45
												EHK7-45	44.9	45.1	-	59.4	60
												-	-	-	2.6	19.2	20
												EHK7-16	15.0	15.1	2.6	25.1	30
												EHK7-30	29.9	30.0	2.6	43.8	45
EHK7-45	44.9	45.1	2.6	62.6	70												

\* Electric Heater kW rating: Rated at 240v for 208-230v units; 480v for 460v units

MODEL NUMBER	ELECTRICAL RATING	COMPRESSOR CIRCUIT 1		COMPRESSOR CIRCUIT 2		OUTDOOR FAN MOTOR			INDOOR FAN MOTOR			OPTIONAL ELECTRIC HEAT			OPTIONAL POWERED CONVENIENCE OUTLET	UNIT POWER SUPPLY	
		RLA	LRA	RLA	LRA	QTY	HP	FLA	TYPE	HP	FLA	MODEL	KW*	FLA	FLA	MCA	MOP
DCC150XXX3W	208/230-3-60	22.4	149.0	22.4	149.0	2	0.33	2.0	2-speed High Static Belt Drive	5.00	14.0	-	-	-	-	68.5 / 68.5	90 / 90
												EHK3-16	11.3 / 15.0	31.3 / 36.1	-	68.5 / 68.5	90 / 90
												EHK3-30	22.5 / 29.9	62.3 / 71.9	-	95.4 / 107	100 / 110
												EHK3-45	33.7 / 44.9	93.6 / 108	-	135 / 153	150 / 175
												-	-	-	7.2 / 6.5	75.7 / 75.0	90 / 90
												EHK3-16	11.3 / 15.0	31.3 / 36.1	7.2 / 6.5	75.7 / 75.0	90 / 90
												EHK3-30	22.5 / 29.9	62.3 / 71.9	7.2 / 6.5	104 / 116	110 / 125
EHK3-45	33.7 / 44.9	93.6 / 108	7.2 / 6.5	144 / 161	150 / 175												
DCC150XXX3V	208/230-3-60	22.4	149.0	22.4	149.0	2	0.33	2.0	2-speed Belt Drive	3.00	9.1	-	-	-	-	63.6 / 63.6	80 / 80
												EHK3-16	11.3 / 15.0	31.3 / 36.1	-	63.6 / 63.6	80 / 80
												EHK3-30	22.5 / 29.9	62.3 / 71.9	-	89.3 / 101	90 / 110
												EHK3-45	33.7 / 44.9	93.6 / 108	-	128 / 146	150 / 150
												-	-	-	7.2 / 6.5	70.8 / 70.1	90 / 90
												EHK3-16	11.3 / 15.0	31.3 / 36.1	7.2 / 6.5	70.8 / 70.1	90 / 90
												EHK3-30	22.5 / 29.9	62.3 / 71.9	7.2 / 6.5	98.3 / 109	100 / 110
EHK3-45	33.7 / 44.9	93.6 / 108	7.2 / 6.5	137 / 155	150 / 175												
DCC150XXX4W	460-3-60	10.6	75.0	10.6	75.0	2	0.33	0.9	2-speed High Static Belt Drive	5.00	6.6	-	-	-	-	32.1	40
												EHK4-16	15.0	18.0	-	32.1	40
												EHK4-30	29.9	36.0	-	53.2	60
												EHK4-45	44.9	54.0	-	75.8	80
												-	-	-	3.3	35.4	45
												EHK4-16	15.0	18.0	3.3	35.4	45
												EHK4-30	29.9	36.0	3.3	57.3	60
EHK4-45	44.9	54.0	3.3	79.9	80												
DCC150XXX4V	460-3-60	10.6	75.0	10.6	75.0	2	0.33	0.9	2-speed Belt Drive	3.00	4.3	-	-	-	-	29.8	40
												EHK4-16	15.0	18.0	-	29.8	40
												EHK4-30	29.9	36.0	-	50.3	60
												EHK4-45	44.9	54.0	-	72.9	80
												-	-	-	3.3	33.1	40
												EHK4-16	15.0	18.0	3.3	33.1	40
												EHK4-30	29.9	36.0	3.3	54.5	60
EHK4-45	44.9	54.0	3.3	77.0	80												
DCC150XXX7W	575-3-60	7.7	54.0	7.7	54.0	2	0.33	0.7	2-speed High Static Belt Drive	5.00	5.2	-	-	-	-	23.9	30
												EHK7-16	15.0	15.1	-	25.3	30
												EHK7-30	29.9	30.0	-	44.0	45
												EHK7-45	44.9	45.1	-	62.9	70
												-	-	-	2.6	26.5	30
												EHK7-16	15.0	15.1	2.6	28.6	30
												EHK7-30	29.9	30.0	2.6	47.3	50
EHK7-45	44.9	45.1	2.6	66.1	70												
DCC150XXX7V	575-3-60	7.7	54.0	7.7	54.0	2	0.33	0.7	2-speed Belt Drive	3.00	3.5	-	-	-	-	22.2	25
												EHK7-16	15.0	15.1	-	23.2	25
												EHK7-30	29.9	30.0	-	41.9	45
												EHK7-45	44.9	45.1	-	60.7	70
												-	-	-	2.6	24.8	30
												EHK7-16	15.0	15.1	2.6	26.5	30
												EHK7-30	29.9	30.0	2.6	45.2	50
EHK7-45	44.9	45.1	2.6	64.0	70												

\* Electric Heater kW rating: Rated at 240v for 208-230v units; 480v for 460v units



MODEL AND HEAT KIT USAGE	RECOMMENDED AIRFLOW RANGE
DCC090***3V***	---
EHK3-16	3000 - 3375 CFM
EHK3-30	3000 - 3375 CFM
EHK3-45	3000 - 3375 CFM

MODEL AND HEAT KIT USAGE	RECOMMENDED AIRFLOW RANGE
DCC090***4V***	---
EHK4-16	3000 - 3375 CFM
EHK4-30	3000 - 3375 CFM
EHK4-45	3000 - 3375 CFM

MODEL AND HEAT KIT USAGE	RECOMMENDED AIRFLOW RANGE
DCC090***7V***	---
EHK7-16	3000 - 3375 CFM
EHK7-30	3000 - 3375 CFM
EHK7-45	3000 - 3375 CFM

kW CORRECTION FACTOR FOR 1- & 3-PHASE UNITS					
SUPPLY VOLTAGE	240	230	220	210	208
CORRECTION FACTOR	1	0.92	0.84	0.77	0.75

For other voltage use  $\text{voltage}^2 / 240^2$

kW CORRECTION FACTOR FOR 480V UNITS			
ACTUAL VOLTAGE	460	440	430
CORRECTION FACTOR	0.92	0.84	0.8

For other voltage use  $\text{voltage}^2 / 480^2$

kW CORRECTION FACTOR FOR 575V UNITS			
SUPPLY VOLTAGE	560	550	540
CORRECTION FACTOR	0.95	0.91	0.88

Multiply rated kW by correction factor to get actual kW

For other voltage use  $\text{voltage}^2 / 575^2$

**MINIMUM AIRFLOW FOR ELECTRIC HEAT**

HEATER SIZE	MINIMUM CFM
15 kW	3,000
30 kW	3,000
45 kW	3,000

MODEL AND HEAT KIT USAGE	RECOMMENDED AIRFLOW RANGE (DOWNSHOT)	RECOMMENDED AIRFLOW RANGE (HORIZONTAL)
<b>DCC102***3V***</b>	---	---
EHK3-16	3400 - 3825 CFM	3400 - 3825 CFM
EHK3-30	3400 - 3825 CFM	3400 - 3825 CFM
EHK3-45	3400 - 3825 CFM	3400 - 3825 CFM

MODEL AND HEAT KIT USAGE	RECOMMENDED AIRFLOW RANGE (DOWNSHOT)	RECOMMENDED AIRFLOW RANGE (HORIZONTAL)
<b>DCC102***4V***</b>	---	---
EHK4-16	3400 - 3825 CFM	3400 - 3825 CFM
EHK4-30	3400 - 3825 CFM	3400 - 3825 CFM
EHK4-45	3400 - 3825 CFM	3400 - 3825 CFM

MODEL AND HEAT KIT USAGE	RECOMMENDED AIRFLOW RANGE (DOWNSHOT)	RECOMMENDED AIRFLOW RANGE (HORIZONTAL)
<b>DCC102***7V***</b>	---	---
EHK7-16	3400 - 3825 CFM	3400 - 3825 CFM
EHK7-30	3400 - 3825 CFM	3400 - 3825 CFM
EHK7-45	3400 - 3825 CFM	3400 - 3825 CFM

^ - EHK Heater Kits above require a three-phase power supply

**KW CORRECTION FACTORS**

kW CORRECTION FACTOR FOR 1- & 3-PHASE UNITS					
SUPPLY VOLTAGE	240	230	220	210	208
CORRECTION FACTOR	1	0.92	0.84	0.77	0.75

For other voltage, use  $\text{voltage}^2 / 240^2$

kW CORRECTION FACTOR FOR 480V UNITS			
SUPPLY VOLTAGE	460	440	430
CORRECTION FACTOR	0.92	0.84	0.8

For other voltage, use  $\text{voltage}^2 / 480^2$

kW CORRECTION FACTOR FOR 575V UNITS			
SUPPLY VOLTAGE	560	550	540
CORRECTION FACTOR	0.95	0.91	0.88

Multiply rated kW by correction factor to get actual kW.  
For other voltage, use  $\text{voltage}^2 / 575^2$

**MINIMUM AIRFLOW FOR ELECTRIC HEAT**

HEATER SIZE (kW)	MIN. CFM DOWNSHOT	MIN. CFM HORIZONTAL
15	4,000	4,000
30	4,000	4,000
45	4,000	4,000

MODEL AND HEAT KIT USAGE	RECOMMENDED AIRFLOW RANGE
DCC120***3V***	
EHK3-16	3500 - 4500 CFM
EHK3-30	3500 - 4500 CFM
EHK3-45	4000 - 4500 CFM

MODEL AND HEAT KIT USAGE	RECOMMENDED AIRFLOW RANGE
DCC120***4V***	
EHK4-16	3500 - 4500 CFM
EHK4-30	3500 - 4500 CFM
EHK4-45	4000 - 4500 CFM

MODEL AND HEAT KIT USAGE	RECOMMENDED AIRFLOW RANGE
DCC120***7V***	
EHK7-16	3500 - 4500 CFM
EHK7-30	3500 - 4500 CFM
EHK7-45	4000 - 4500 CFM

**KW CORRECTION FACTORS**

kW CORRECTION FACTOR FOR 1- & 3-PHASE UNITS					
SUPPLY VOLTAGE	240	230	220	210	208
CORRECTION FACTOR	1	0.92	0.84	0.77	0.75

For other voltage, use  $\text{voltage}^2 / 240^2$

kW CORRECTION FACTOR FOR 480V UNITS			
SUPPLY VOLTAGE	460	440	430
CORRECTION FACTOR	0.92	0.84	0.8

For other voltage, use  $\text{voltage}^2 / 480^2$

kW CORRECTION FACTOR FOR 575V UNITS			
SUPPLY VOLTAGE	560	550	540
CORRECTION FACTOR	0.95	0.91	0.88

Multiply rated kW by correction factor to get actual kW.

For other voltage, use  $\text{voltage}^2 / 575^2$

**MINIMUM AIRFLOW FOR ELECTRIC HEAT**

HEATER SIZE (kW)	MIN. CFM DOWNSHOT	MIN. CFM HORIZONTAL
15	4,000	4,000
30	4,000	4,000
45	4,000	4,000

MODEL AND HEAT KIT USAGE	RECOMMENDED AIRFLOW RANGE
<b>DCC150***3V***</b>	
EHK3-16	4000 - 5600
EHK3-30	4300 - 5600
EHK3-45	4500 - 5600

MODEL AND HEAT KIT USAGE	RECOMMENDED AIRFLOW RANGE
<b>DCC150***4V***</b>	
EHK4-16	4000 - 5600
EHK4-30	4300 - 5600
EHK4-45	4500 - 5600

MODEL AND HEAT KIT USAGE	RECOMMENDED AIRFLOW RANGE
<b>DCC150***7V***</b>	
EHK7-16	4000 - 5600
EHK7-30	4300 - 5600
EHK7-45	4500 - 5600

**KW CORRECTION FACTORS**

kW CORRECTION FACTOR FOR 1- & 3-PHASE UNITS					
SUPPLY VOLTAGE	240	230	220	210	208
CORRECTION FACTOR	1	0.92	0.84	0.77	0.75

For other voltage, use  $\text{voltage}^2 / 240^2$

kW CORRECTION FACTOR FOR 480V UNITS			
SUPPLY VOLTAGE	460	440	430
CORRECTION FACTOR	0.92	0.84	0.8

For other voltage, use  $\text{voltage}^2 / 480^2$

kW CORRECTION FACTOR FOR 575V UNITS			
SUPPLY VOLTAGE	560	550	540
CORRECTION FACTOR	0.95	0.91	0.88

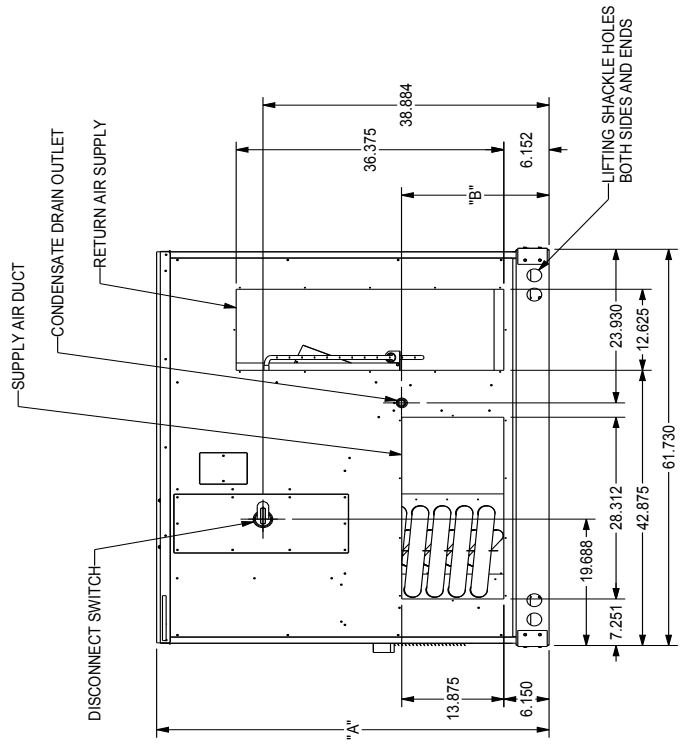
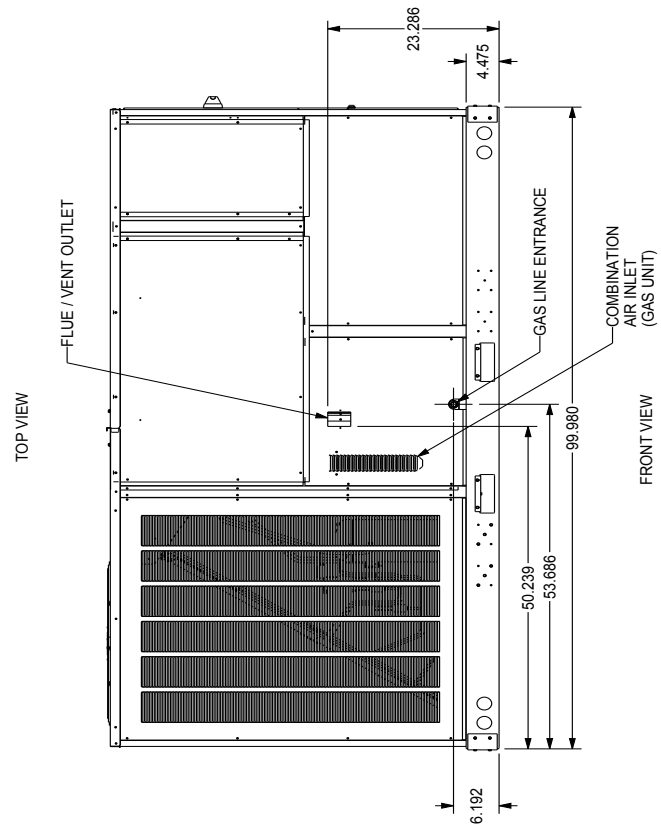
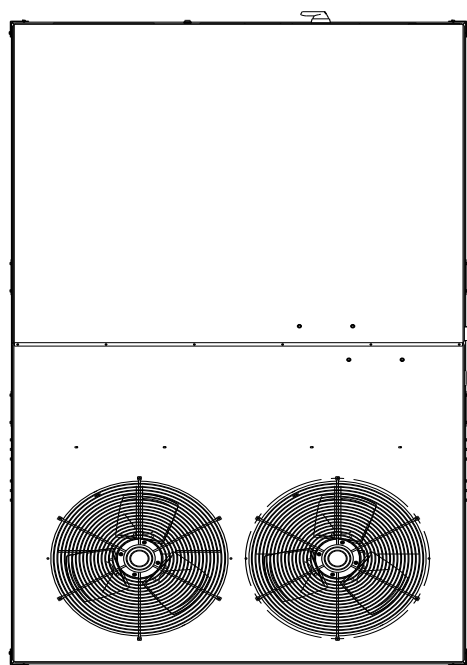
Multiply rated kW by correction factor to get actual kW.

For other voltage, use  $\text{voltage}^2 / 575^2$

**MINIMUM AIRFLOW FOR ELECTRIC HEAT**

HEATER SIZE (kW)	MIN. CFM DOWNSHOT	MIN. CFM HORIZONTAL
15	4,000	4,000
30	4,000	4,000
45	4,000	4,000

MODEL TONNAGE	"A"	"B"
7.5 TON COMMERCIAL GAS, HT PUMP, AIR CONDITIONER	53.339	20.055
8.5 TON COMMERCIAL GAS, HT PUMP, AIR CONDITIONER	53.339	20.055
10 TON COMMERCIAL GAS, HT PUMP, AIR CONDITIONER	53.339	20.055
12.5 TON COMMERCIAL GAS, HT PUMP, AIR CONDITIONER	58.839	18.055



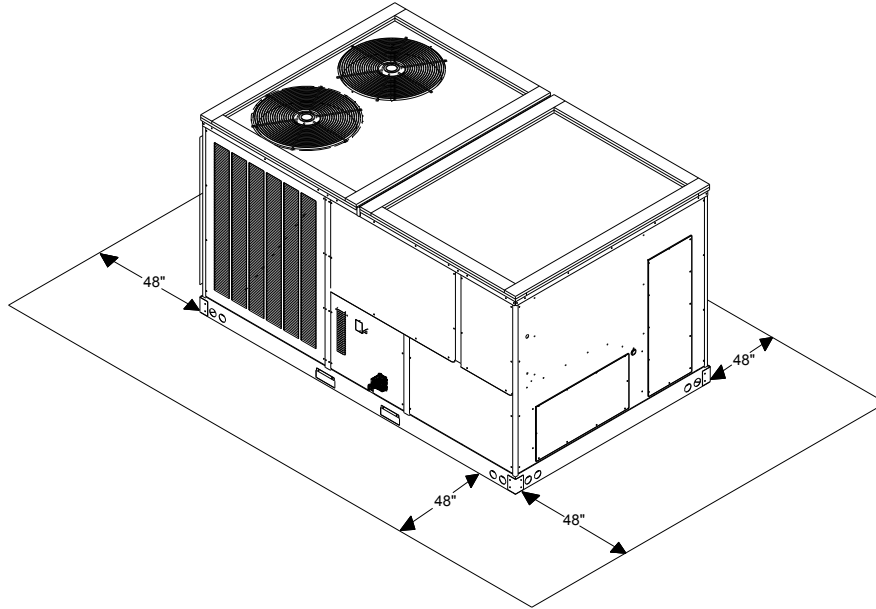
DC\*090-150\*\*\*  
7.5 THRU 12.5 TON COMMERCIAL

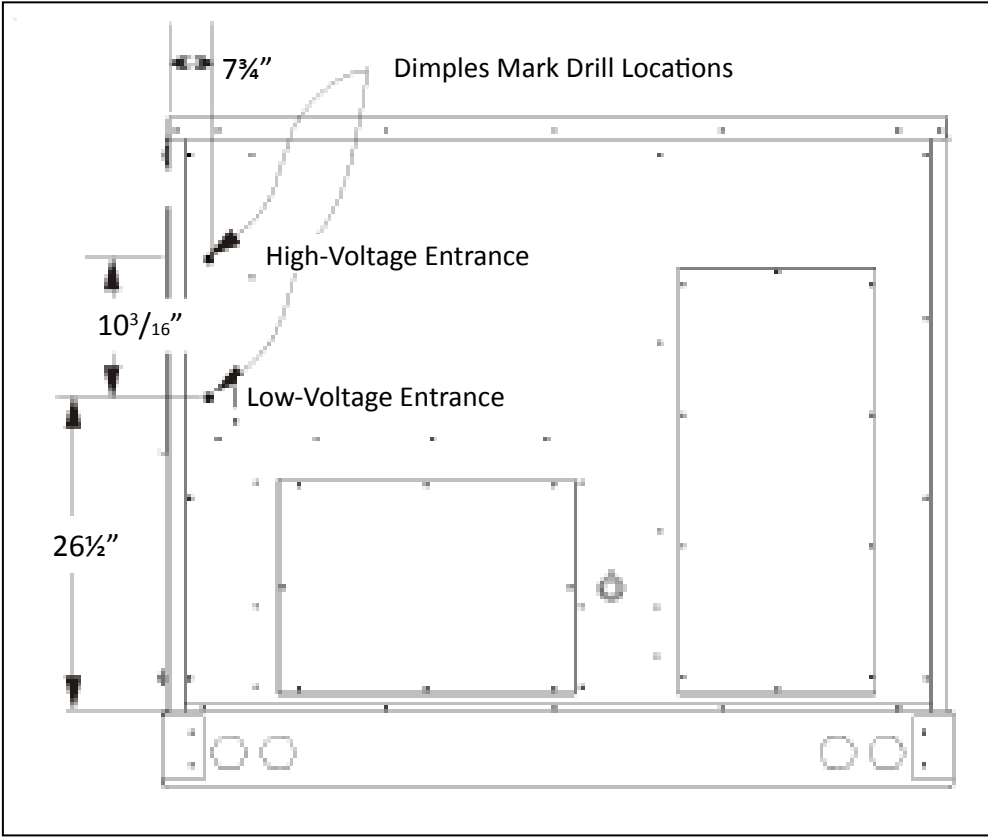
12 1/2 TON USES GRILLE

ALL DIMENSIONS GIVEN ARE IN INCHES  
ALL DIMENSIONS AND SPECIFICATIONS ARE SUBJECT TO CHANGE WITHOUT NOTICE

## UNIT CLEARANCES

Maintain an adequate clearance around the unit for safety, service, maintenance, and proper unit operation. Leave a clearance of 48" on all sides of the unit for possible compressor removal or service access, and to ensure proper ventilation and condenser airflow. Do not install the unit beneath any obstruction. Install the unit away from all building exhausts to inhibit ingestion of exhaust air into the unit's fresh-air intake.





Provisions for forks have been included in the unit base frame. No other fork locations are approved.

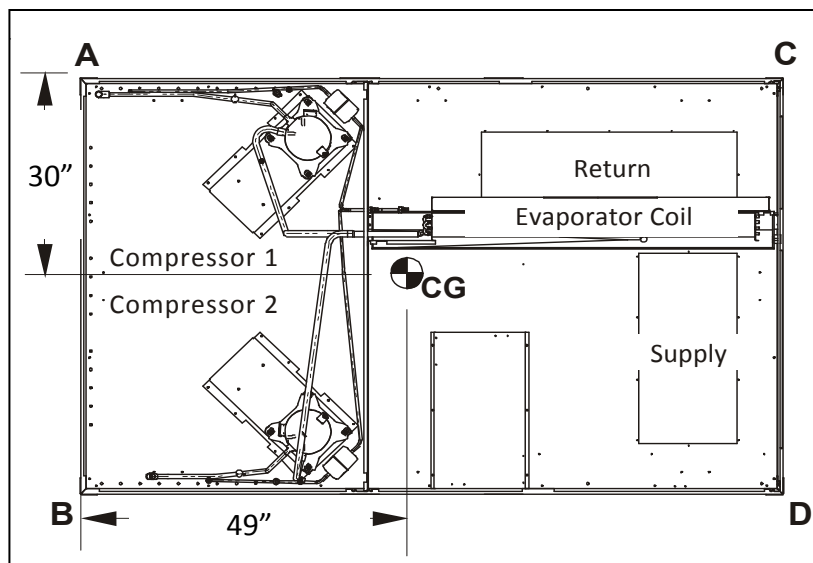
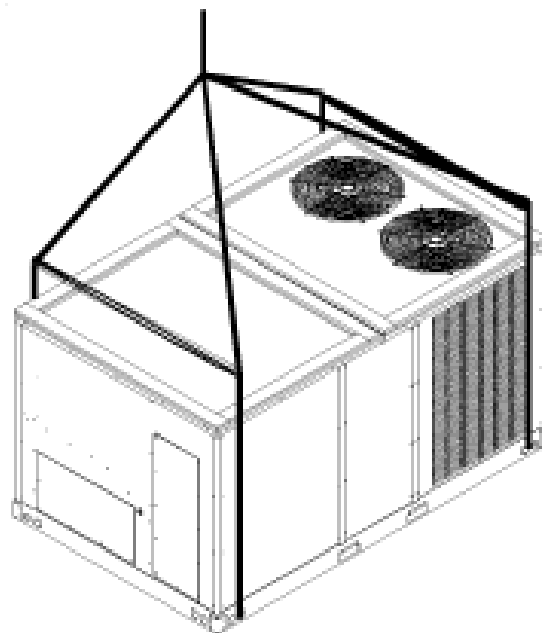
- Unit must be lifted by the four lifting holes located at the base frame corners.
- Lifting cables should be attached to the unit with shackles.
- The distance between the crane hook and the top of the unit must not be less than 60”.
- Two spreader bars must span over the unit to prevent damage to the cabinet by the lift cables. Spreader bars must be of sufficient length so that cables do not come in contact with the unit during transport. Remove wood struts mounted beneath unit base frame before setting unit on roof curb. These struts are intended to protect unit base frame from fork lift damage. To remove the struts, extract the sheet metal retainers and pull the struts through the base of the unit. Refer to rigging label on the unit.

**Important:** If using bottom discharge with roof curb, duct-work should be attached to the curb prior to installing the unit. Duct-work dimensions are shown in Roof Curb Installation Instructions Manual.

Refer to the Roof Curb Installation Instructions for proper curb installation. Curbing must be installed in compliance with the National Roofing Contractors Association Manual.

Lower unit carefully onto roof mounting curb. While rigging the unit, the center of gravity will cause the condenser end to be lower than the supply air end.

Bring condenser end of unit into alignment with the curb. With condenser end of the unit resting on curb member and using curb as a fulcrum, lower opposite end of the unit until entire unit is seated on the curb. When a rectangular cantilever curb is used, take care to center the unit. Check for proper alignment and orientation of supply and return openings with duct.



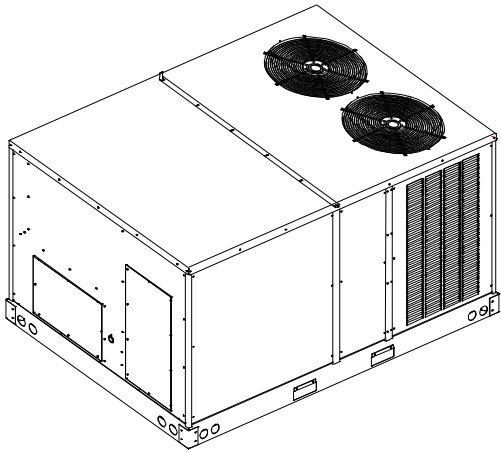
CORNER & CENTER-OF-GRAVITY LOCATIONS

UNIT WEIGHTS	7½-TON WEIGHTS (LBS)	8½-TON & 10-TON WEIGHTS (LBS)	12½-TON WEIGHTS (LBS)
Weight A	313	310	267
Weight B	248	263	349
Weight C	250	258	289
Weight D	199	219	343
Shipping Weight	1085	1125	1200
Operating Weight	1010	1050	1175

To assist in determining rigging requirements, unit weights are shown to the right.

**Note:** These weights are calculated without accessories installed.





Curb installations must comply with local codes and should follow the established guidelines of the National Roofing Contractors Association.

Proper unit installation requires that the roof curb be firmly and permanently attached to the roof structure. Check for adequate fastening method prior to setting the unit on the curb.

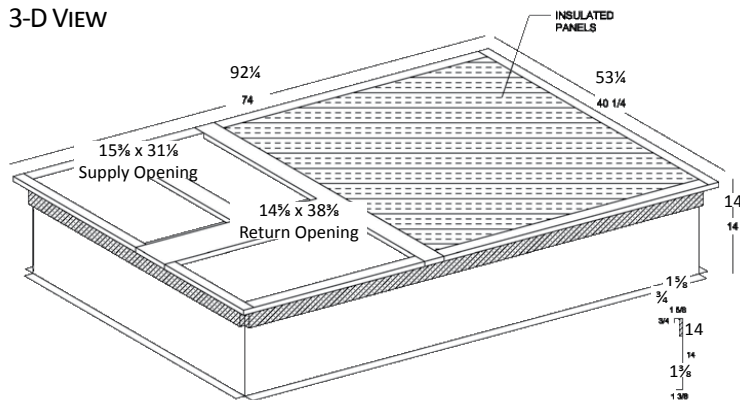
Full perimeter roof curbs are available from the factory and are shipped unassembled. The installing contractor is responsible for field assembly, squaring, leveling, and mounting on the roof structure. All required hardware necessary for the assembly of the sheet metal curb is included in the curb accessory package.

- Determine sufficient structural support before locating and mounting the curb and package unit.
- Duct-work must be constructed using industry guidelines. The duct-work must be placed into the roof curb before mounting the package unit. Our full perimeter curbs include duct connection frames to be assembled with the curb. Cantilevered-type curbs are not available from the factory.
- Contractor furnishes curb insulation, cant strips, flashing, and general roofing material.
- Support curbs on parallel sides with roof members. To prevent damage to the unit, the roof members cannot penetrate supply and return duct openings.

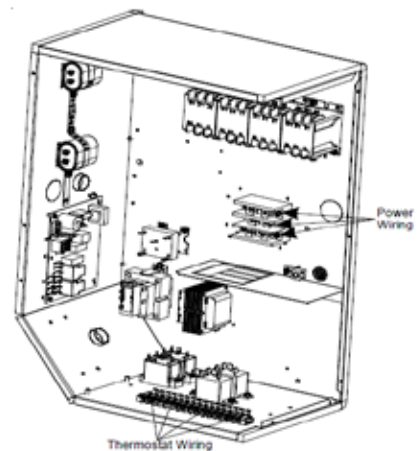
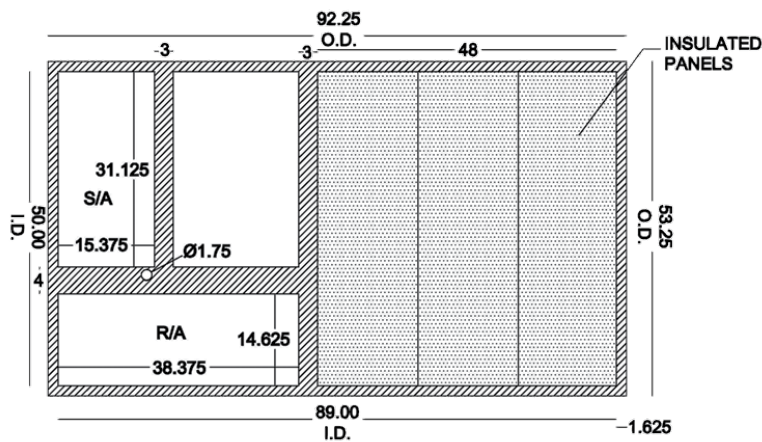
**Note:** The unit and curb accessories are designed to allow vertical duct installation before unit placement. Duct installation after unit placement is not recommended.

See the manual shipped with the roof curb for assembly and installation instructions.

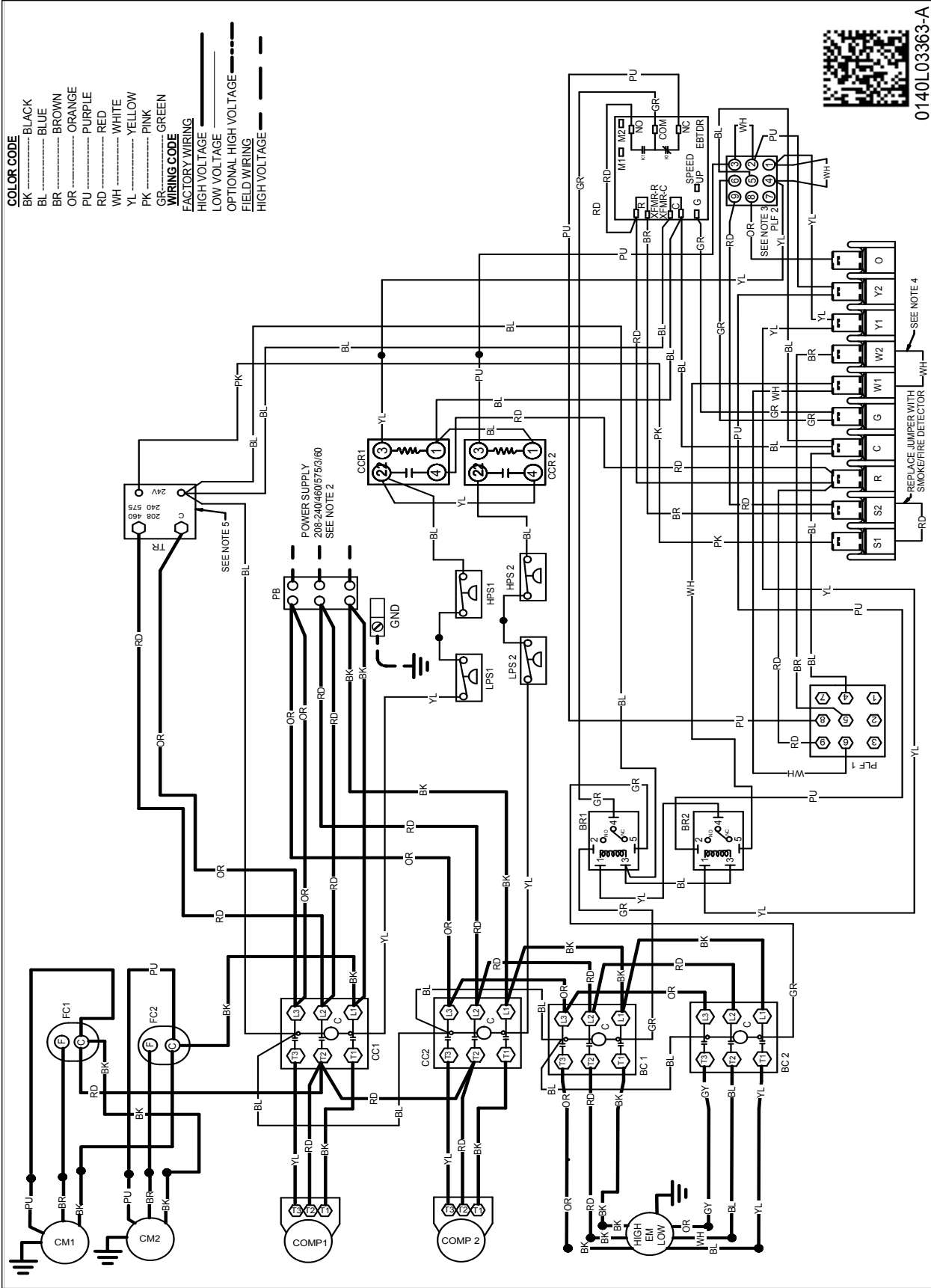
3-D VIEW



TOP VIEW



POWER AND LOW-VOLTAGE BLOCK LOCATIONS

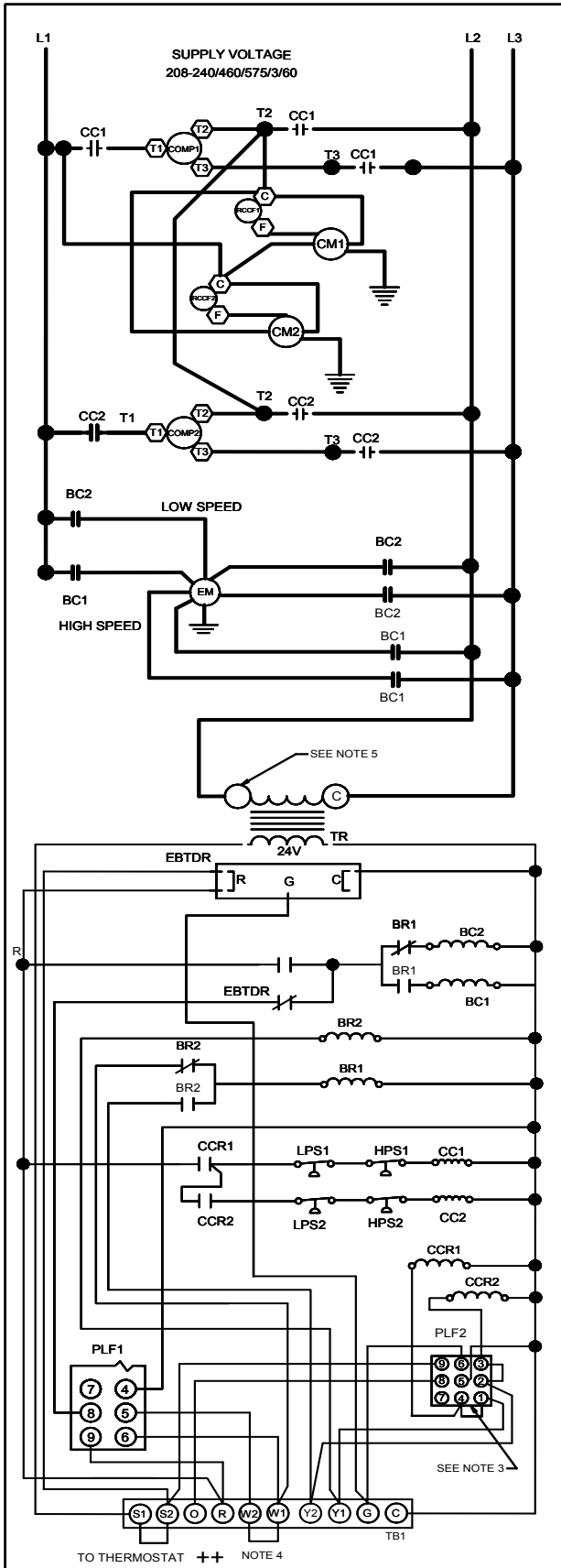


0140L03363-A

**WARNING**

**High Voltage:** Disconnect all power before servicing or installing this unit. Multiple power sources may be present. Failure to do so may cause property damage, personal injury, or death.

Wiring is subject to change. Always refer to the wiring diagram on the unit for the most up-to-date wiring.



COMPONENT LEGEND

BC	BLOWER CONTACTOR
BR	BLOWER RELAY
CC	COMPRESSOR CONTACTOR
CB	CIRCUIT BREAKER
CCR	COMPRESSOR CONTACTOR RELAY
CM	CONDENSER MOTOR
CMR	CONDENSER MOTOR RELAY
COMP	COMPRESSOR
DC	DEFROST CONTROL
DFT	DEFROST THERMOSTAT
ECON	ECONOMIZER
EBTD	ELECTRONIC BLOWER TIME DELAY
EMR	EVAPORATOR MOTOR RELAY
R	RELAY
EM	EVAPORATOR MOTOR
FC	FAN CAPACITOR
GND	EQUIPMENT GROUND
HPS	HIGH PRESSURE SWITCH
HVDR	HIGH VOLTAGE DEFROST RELAY
LPS	LOW PRESSURE SWITCH
LVDR	LOW VOLTAGE DEFROST RELAY
PB	POWER DISTRIBUTION BLOCK
PLF	FEMALE PLUG / CONNECTOR
RVC	REVERSING VALVE COIL
RCCF	RUN CAPACITOR FOR COMPRESSOR AND FAN
TB1	TERMINAL BLOCK (24V SIGNAL)
TR	TRANSFORMER

NOTES:

1. REPLACEMENT WIRE MUST BE SAME SIZE AND TYPE INSULATION AS ORIGINAL (AT LEAST 105°C) USE COPPER CONDUCTOR ONLY.
2. USE COPPER CONDUCTORS ONLY ++ USE N.E.C. CLASS 2 WIRE
3. ECONOMIZER PLUG LOCATED IN THE RETURN AIR COMPARTMENT, REMOVE MALE PLUG, ATTACH FEMALE PLUG TO THE ECONOMIZER ACCESSORY.
4. FOR TWO STAGE OPERATION REMOVE W1 TO W2 WIRE JUMPER.
5. MOVE WIRE(S) TO APPROPRIATE INPUT VOLTAGE TERMINAL ON TRANSFORMER.

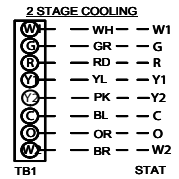
SEE UNIT RATING PLATE FOR TYPE AND SIZE OF OVER CURRENT PROTECTION

FACTORY WIRING	
=====	LINE VOLTAGE
=====	LOW VOLTAGE
-----	OPTIONAL HIGH VOLTAGE
FIELD WIRING	
=====	HIGH VOLTAGE
=====	LOW VOLTAGE

WIRE CODE

BK	BLACK
BL	BLUE
BR	BROWN
GR	GREEN
OR	ORANGE
PK	PINK
PU	PURPLE
RD	RED
WH	WHITE
YL	YELLOW
YL/PK	YELLOW WITH PINK STRIP
BL/PK	BLUE WITH PINK STRIP

THERMOSTAT FIELD WIRING ++



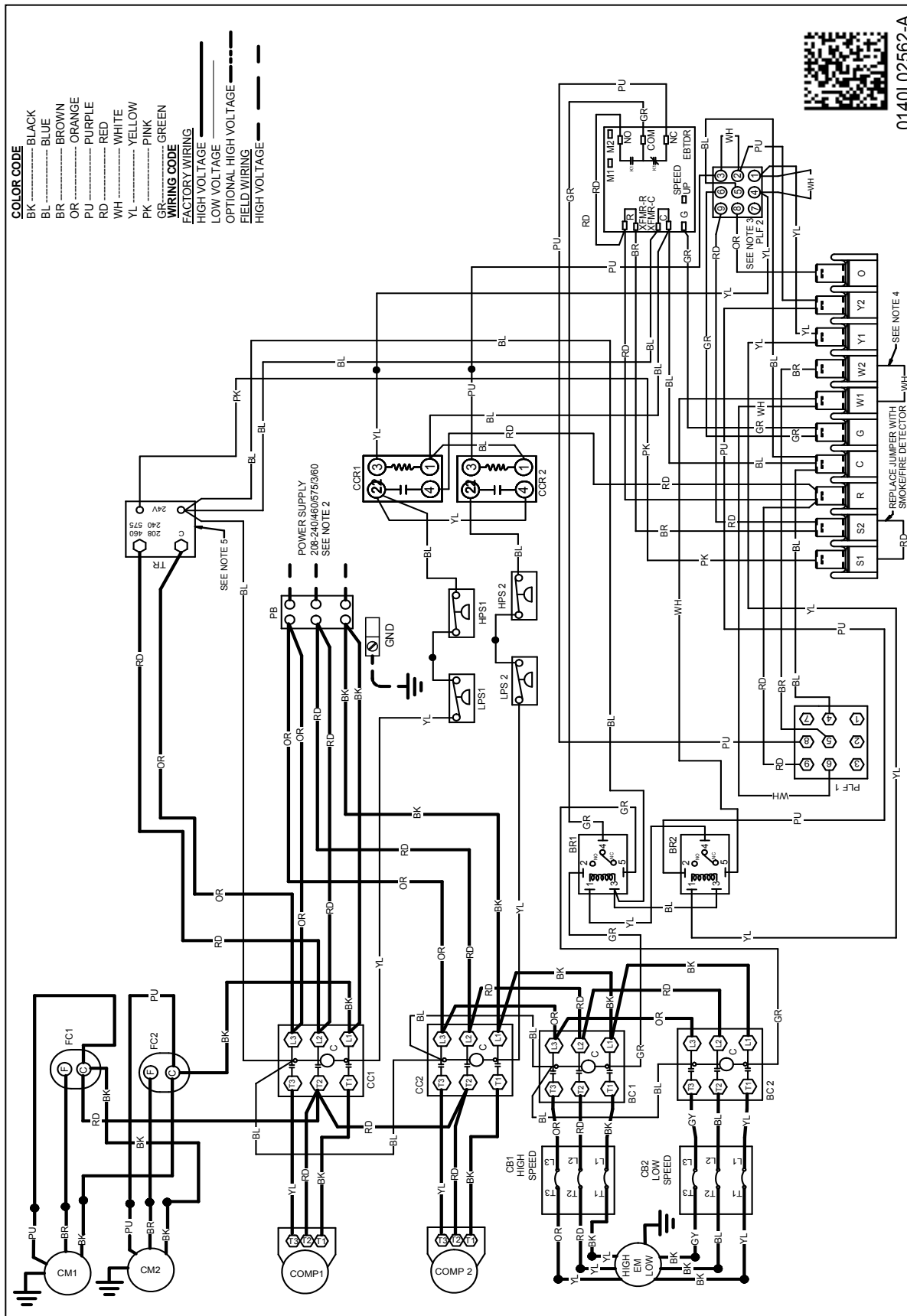
**High Voltage:** Disconnect all power before servicing or installing this unit. Multiple power sources may be present. Failure to do so may cause property damage, personal injury, or death.

**WARNING**

Wiring is subject to change. Always refer to the wiring diagram on the unit for the most up-to-date wiring.



208-240/460/575/3/60 0140L03364-A

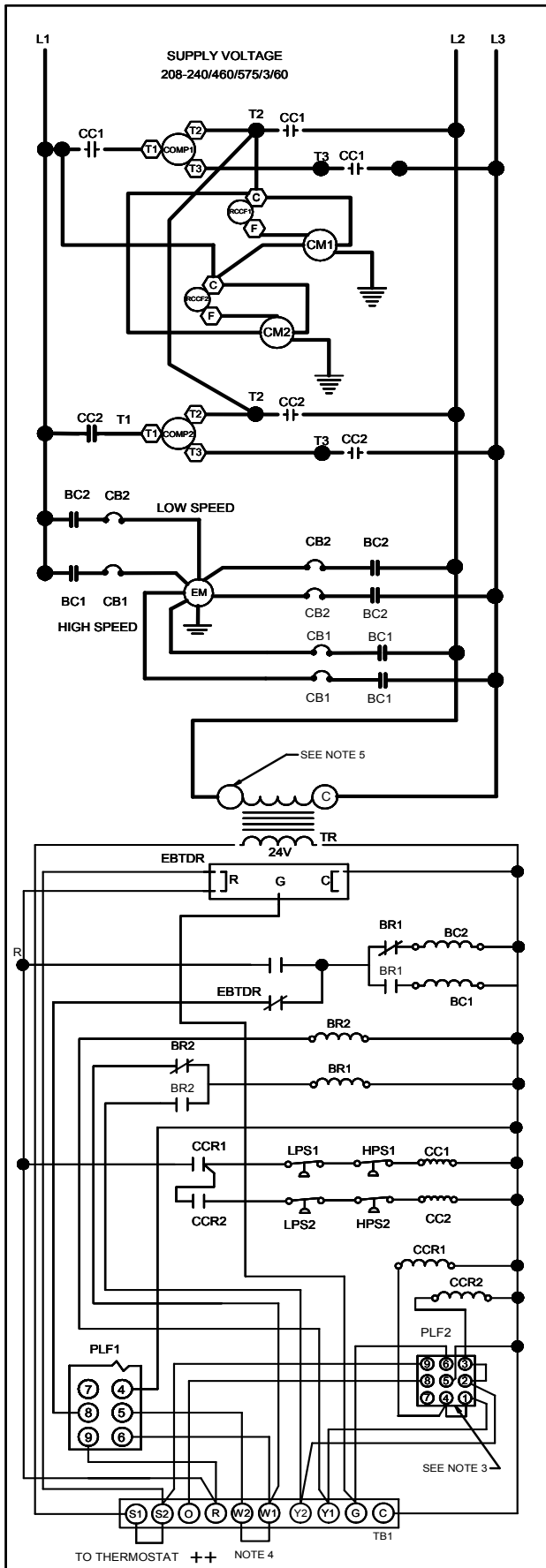


0140L02562-A

**WARNING**

**High Voltage:** Disconnect all power before servicing or installing this unit. Multiple power sources may be present. Failure to do so may cause property damage, personal injury, or death.

Wiring is subject to change. Always refer to the wiring diagram on the unit for the most up-to-date wiring.



**COMPONENT LEGEND**

BC	BLOWER CONTACTOR
BR	BLOWER RELAY
CC	COMPRESSOR CONTACTOR
CB	CIRCUIT BREAKER
CCR	COMPRESSOR CONTACTOR RELAY
CM	CONDENSER MOTOR
CMR	CONDENSER MOTOR RELAY
COMP	COMPRESSOR
DC	DEFROST CONTROL
DFT	DEFROST THERMOSTAT
ECON	ECONOMIZER
EBTD	ELECTRONIC BLOWER TIME DELAY
EMR	EVAPORATOR MOTOR RELAY
R	RELAY
EM	EVAPORATOR MOTOR
FC	FAN CAPACITOR
GND	EQUIPMENT GROUND
HPS	HIGH PRESSURE SWITCH
HVDR	HIGH VOLTAGE DEFROST RELAY
LPS	LOW PRESSURE SWITCH
LVDR	LOW VOLTAGE DEFROST RELAY
PB	POWER DISTRIBUTION BLOCK
PLF	FEMALE PLUG / CONNECTOR
RVC	REVERSING VAVLE COIL
RCCF	RUN CAPACITOR FOR COMPRESSOR AND FAN
TB1	TERMINAL BLOCK (24V SIGNAL)
TR	TRANSFORMER

**NOTES:**

1. REPLACEMENT WIRE MUST BE SAME SIZE AND TYPE INSULATION AS ORIGINAL (AT LEAST 105°C) USE COPPER CONDUCTOR ONLY.
2. USE COPPER CONDUCTORS ONLY ++ USE N.E.C. CLASS 2 WIRE
3. ECONOMIZER PLUG LOCATED IN THE RETURN AIR COMPARTMENT, REMOVE MALE PLUG, ATTACH FEMALE PLUG TO THE ECONOMIZER ACCESSORY.
4. FOR TWO STAGE OPERATION REMOVE W1 TO W2 WIRE JUMPER.
5. MOVE WIRE(S) TO APPROPRIATE INPUT VOLTAGE TERMINAL ON TRANSFORMER.

SEE UNIT RATING PLATE FOR TYPE AND SIZE OF OVER CURRENT PROTECTION



208-240/460/575/3/60 0140L02563-A

<b>FACTORY WIRING</b>	
	LINE VOLTAGE
	LOW VOLTAGE
	OPTIONAL HIGH VOLTAGE
<b>FIELD WIRING</b>	
	HIGH VOLTAGE
	LOW VOLTAGE

**WIRE CODE**

BK	BLACK
BL	BLUE
BR	BROWN
GR	GREEN
OR	ORANGE
PK	PINK
PJ	PURPLE
RD	RED
WH	WHITE
YL	YELLOW
YL/PK	YELLOW WITH PINK STRIP
BL/PK	BLUE WITH PINK STRIP

**THERMOSTAT FIELD WIRING** ++

**2 STAGE COOLING**

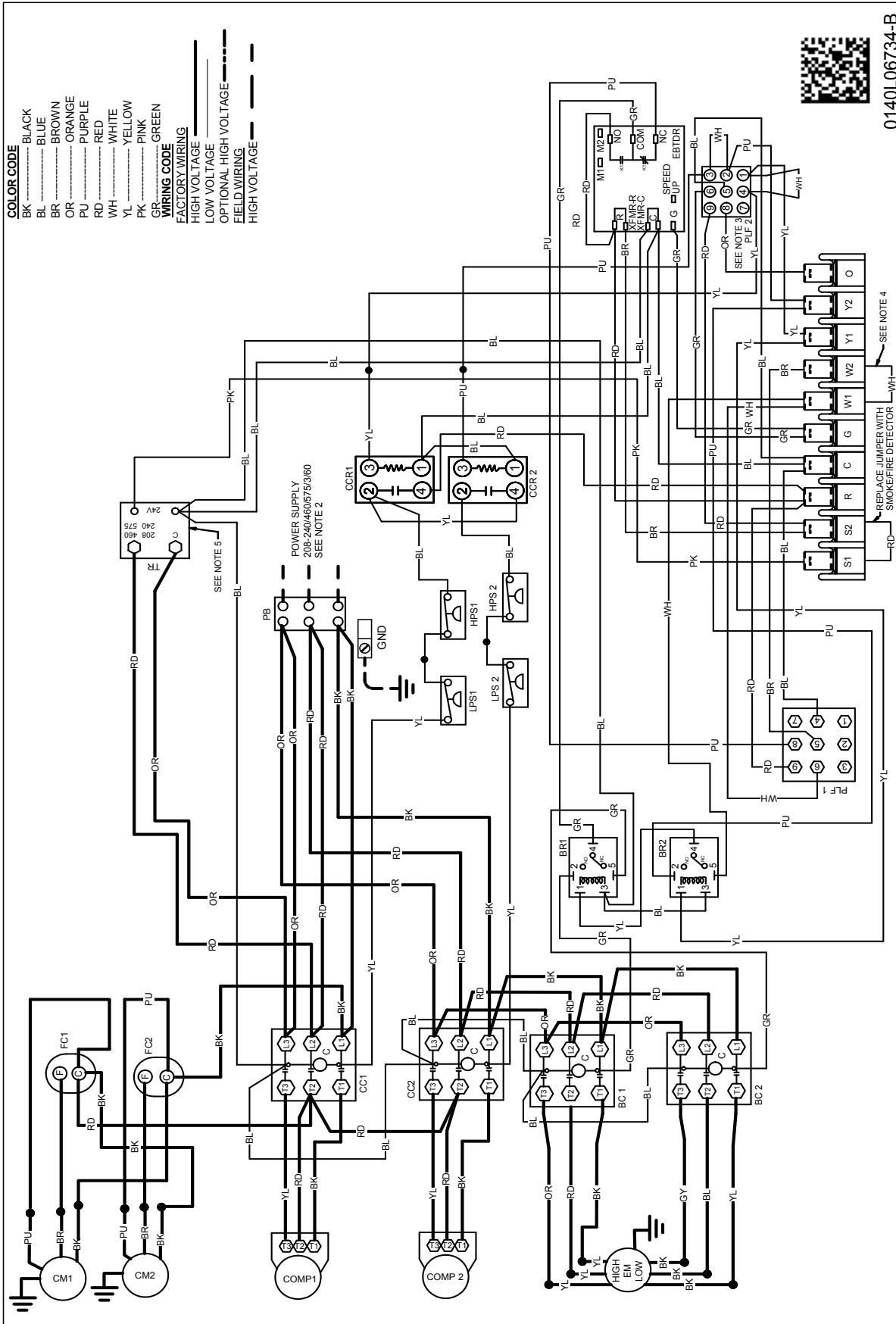
	WH	W1
	GR	G
	RD	R
	YL	Y1
	PK	Y2
	BL	C
	OR	O
	BR	W2

TB1 STAT

**High Voltage:** Disconnect all power before servicing or installing this unit. Multiple power sources may be present. Failure to do so may cause property damage, personal injury, or death.

**WARNING**

Wiring is subject to change. Always refer to the wiring diagram on the unit for the most up-to-date wiring.



- COLOR CODE**  
 BK ..... BLACK  
 BL ..... BLUE  
 BR ..... BROWN  
 OR ..... ORANGE  
 PU ..... PURPLE  
 RD ..... RED  
 WH ..... WHITE  
 YL ..... YELLOW  
 PK ..... PINK  
 GR ..... GREEN
- WIRING CODE**  
 FACTORY WIRING  
 HIGH VOLTAGE  
 LOW VOLTAGE  
 OPTIONAL HIGH VOLTAGE  
 FIELD WIRING  
 HIGH VOLTAGE



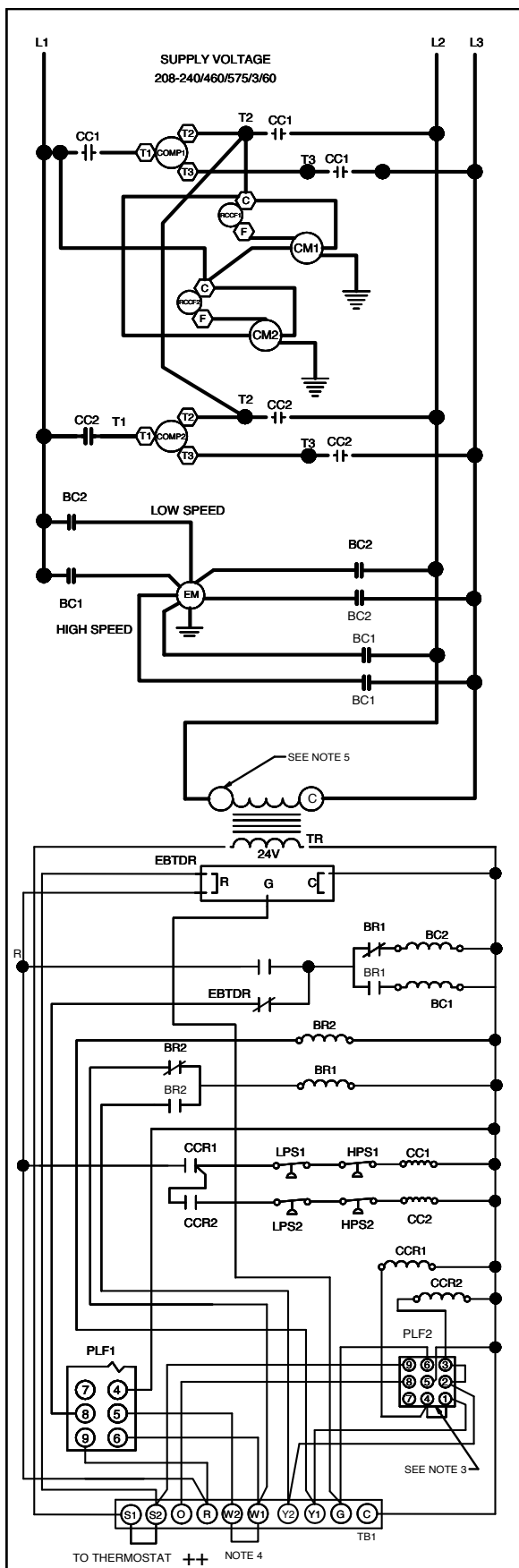
0140L06734-B

**WARNING**

⚡

**High Voltage:** Disconnect all power before servicing or installing this unit. Multiple power sources may be present. Failure to do so may cause property damage, personal injury, or death.

Wiring is subject to change. Always refer to the wiring diagram on the unit for the most up-to-date wiring.



COMPONENT LEGEND

BC	BLOWER CONTACTOR
BR	BLOWER RELAY
CC	COMPRESSOR CONTACTOR
CB	CIRCUIT BREAKER
CCR	COMPRESSOR CONTACTOR RELAY
CM	CONDENSER MOTOR
CMR	CONDENSER MOTOR RELAY
COMP	COMPRESSOR
DC	DEFROST CONTROL
DFT	DEFROST THERMOSTAT
ECON	ECONOMIZER
EBTD	ELECTRONIC BLOWER TIME DELAY
EMR	EVAPORATOR MOTOR RELAY
R	RELAY
EM	EVAPORATOR MOTOR
FC	FAN CAPACITOR
GND	EQUIPMENT GROUND
HPS	HIGH PRESSURE SWITCH
HVDR	HIGH VOLTAGE DEFROST RELAY
LPS	LOW PRESSURE SWITCH
LVDR	LOW VOLTAGE DEFROST RELAY
PB	POWER DISTRIBUTION BLOCK
PLF	FEMALE PLUG / CONNECTOR
RVC	REVERSING VALVE COIL
RCCF	RUN CAPACITOR FOR COMPRESSOR AND FAN
TB1	TERMINAL BLOCK (24V SIGNAL)
TR	TRANSFORMER

NOTES:

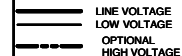
1. REPLACEMENT WIRE MUST BE SAME SIZE AND TYPE INSULATION AS ORIGINAL (AT LEAST 105°C) USE COPPER CONDUCTOR ONLY.
2. USE COPPER CONDUCTORS ONLY ++ USE N.E.C. CLASS 2 WIRE
3. ECONOMIZER PLUG LOCATED IN THE RETURN AIR COMPARTMENT, REMOVE MALE PLUG, ATTACH FEMALE PLUG TO THE ECONOMIZER ACCESSORY.
4. FOR TWO STAGE OPERATION REMOVE W1 TO W2 WIRE JUMPER.
5. MOVE WIRE(S) TO APPROPRIATE INPUT VOLTAGE TERMINAL ON TRANSFORMER.

SEE UNIT RATING PLATE FOR TYPE AND SIZE OF OVER CURRENT PROTECTION

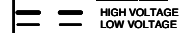


208-240/460/575/3/60 0140L03364-A

FACTORY WIRING



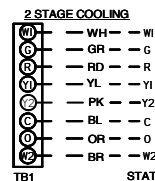
FIELD WIRING



WIRE CODE

BK	BLACK
BL	BLUE
BR	BROWN
GR	GREEN
OR	ORANGE
PK	PINK
PU	PURPLE
RD	RED
WH	WHITE
YL	YELLOW
YLPK	YELLOW WITH PINK STRIP
BL/PK	BLUE WITH PINK STRIP

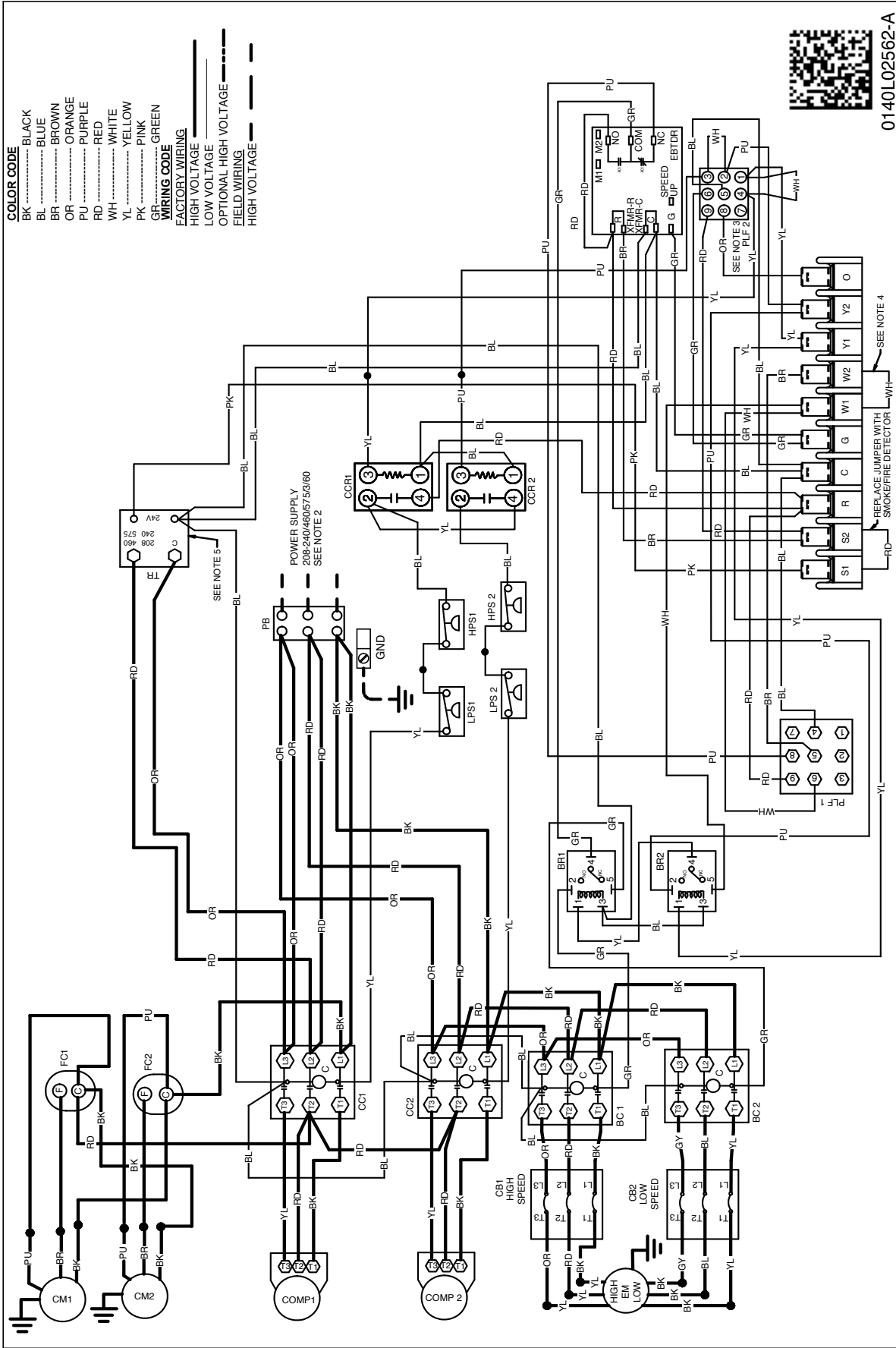
THERMOSTAT FIELD WIRING ++



**High Voltage:** Disconnect all power before servicing or installing this unit. Multiple power sources may be present. Failure to do so may cause property damage, personal injury, or death.

**WARNING**

Wiring is subject to change. Always refer to the wiring diagram on the unit for the most up-to-date wiring.

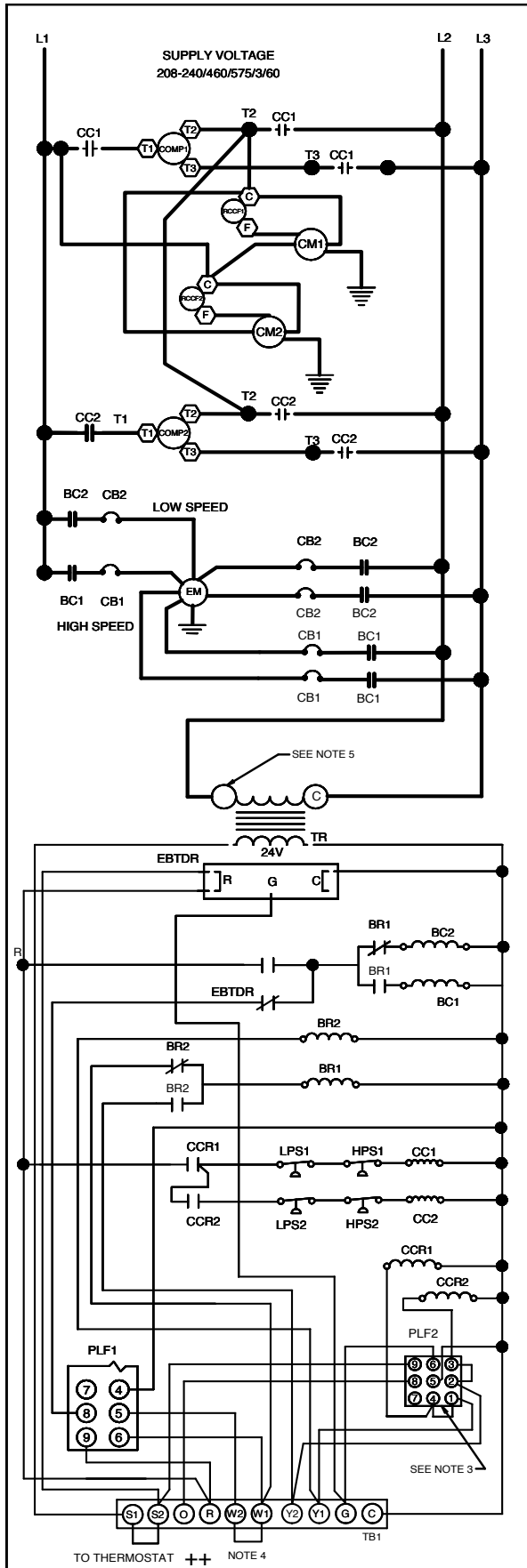


**WARNING**

**High Voltage:** Disconnect all power before servicing or installing this unit. Multiple power sources may be present. Failure to do so may cause property damage, personal injury, or death.

Wiring is subject to change. Always refer to the wiring diagram on the unit for the most up-to-date wiring.





**COMPONENT LEGEND**

BC	BLOWER CONTACTOR
BR	BLOWER RELAY
CC	COMPRESSOR CONTACTOR
CB	CIRCUIT BREAKER
CCR	COMPRESSOR CONTACTOR RELAY
CM	CONDENSER MOTOR
CMR	CONDENSER MOTOR RELAY
COMP	COMPRESSOR
DC	DEFROST CONTROL
DFT	DEFROST THERMOSTAT
ECON	ECONOMIZER
EBTD	ELECTRONIC BLOWER TIME DELAY
EMR	EVAPORATOR MOTOR RELAY
R	RELAY
EM	EVAPORATOR MOTOR
FC	FAN CAPACITOR
GND	EQUIPMENT GROUND
HPS	HIGH PRESSURE SWITCH
HVDR	HIGH VOLTAGE DEFROST RELAY
LPS	LOW PRESSURE SWITCH
LVDR	LOW VOLTAGE DEFROST RELAY
PB	POWER DISTRIBUTION BLOCK
PLF	FEMALE PLUG / CONNECTOR
RVC	REVERSING VALVE COIL
RCCF	RUN CAPACITOR FOR COMPRESSOR AND FAN
TB1	TERMINAL BLOCK (24V SIGNAL)
TR	TRANSFORMER

**NOTES:**

1. REPLACEMENT WIRE MUST BE SAME SIZE AND TYPE INSULATION AS ORIGINAL (AT LEAST 105°C) USE COPPER CONDUCTOR ONLY.
2. USE COPPER CONDUCTORS ONLY  
++ USE N.E.C. CLASS 2 WIRE
3. ECONOMIZER PLUG LOCATED IN THE RETURN AIR COMPARTMENT, REMOVE MALE PLUG, ATTACH FEMALE PLUG TO THE ECONOMIZER ACCESSORY.
4. FOR TWO STAGE OPERATION REMOVE W1 TO W2 WIRE JUMPER.
5. MOVE WIRE(S) TO APPROPRIATE INPUT VOLTAGE TERMINAL ON TRANSFORMER.

SEE UNIT RATING PLATE FOR TYPE AND SIZE OF OVER CURRENT PROTECTION



208-240/460/575/3/60 0140L02563-A

**FACTORY WIRING**

— LINE VOLTAGE  
— LOW VOLTAGE  
- - - OPTIONAL  
- - - HIGH VOLTAGE

**FIELD WIRING**

— HIGH VOLTAGE  
— LOW VOLTAGE

**WIRE CODE**

BK	BLACK
BL	BLUE
BR	BROWN
GR	GREEN
OR	ORANGE
PK	PINK
PU	PURPLE
RD	RED
WH	WHITE
YL	YELLOW
YLPK	YELLOW WITH PINK STRIP
BL/PK	BLUE WITH PINK STRIP

**THERMOSTAT FIELD WIRING ++**

**2 STAGE COOLING**

W1	— WH —	W1
G	— GR —	G
R	— RD —	R
Y1	— YL —	Y1
Y2	— PK —	Y2
C	— BL —	C
O	— OR —	O
W2	— BR —	W2
STAT		STAT

TB1

**High Voltage:** Disconnect all power before servicing or installing this unit. Multiple power sources may be present. Failure to do so may cause property damage, personal injury, or death.

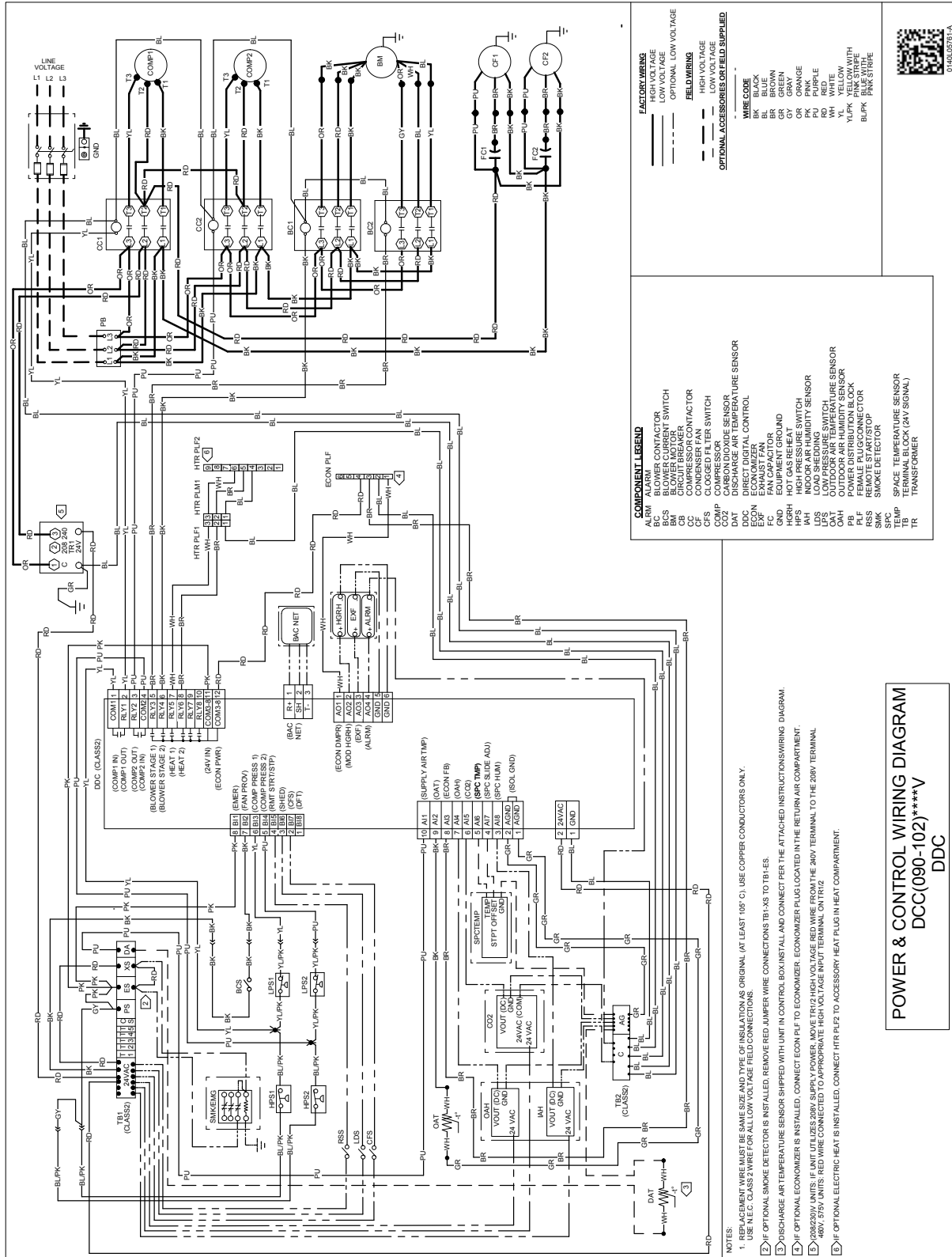
**WARNING**

Wiring is subject to change. Always refer to the wiring diagram on the unit for the most up-to-date wiring.

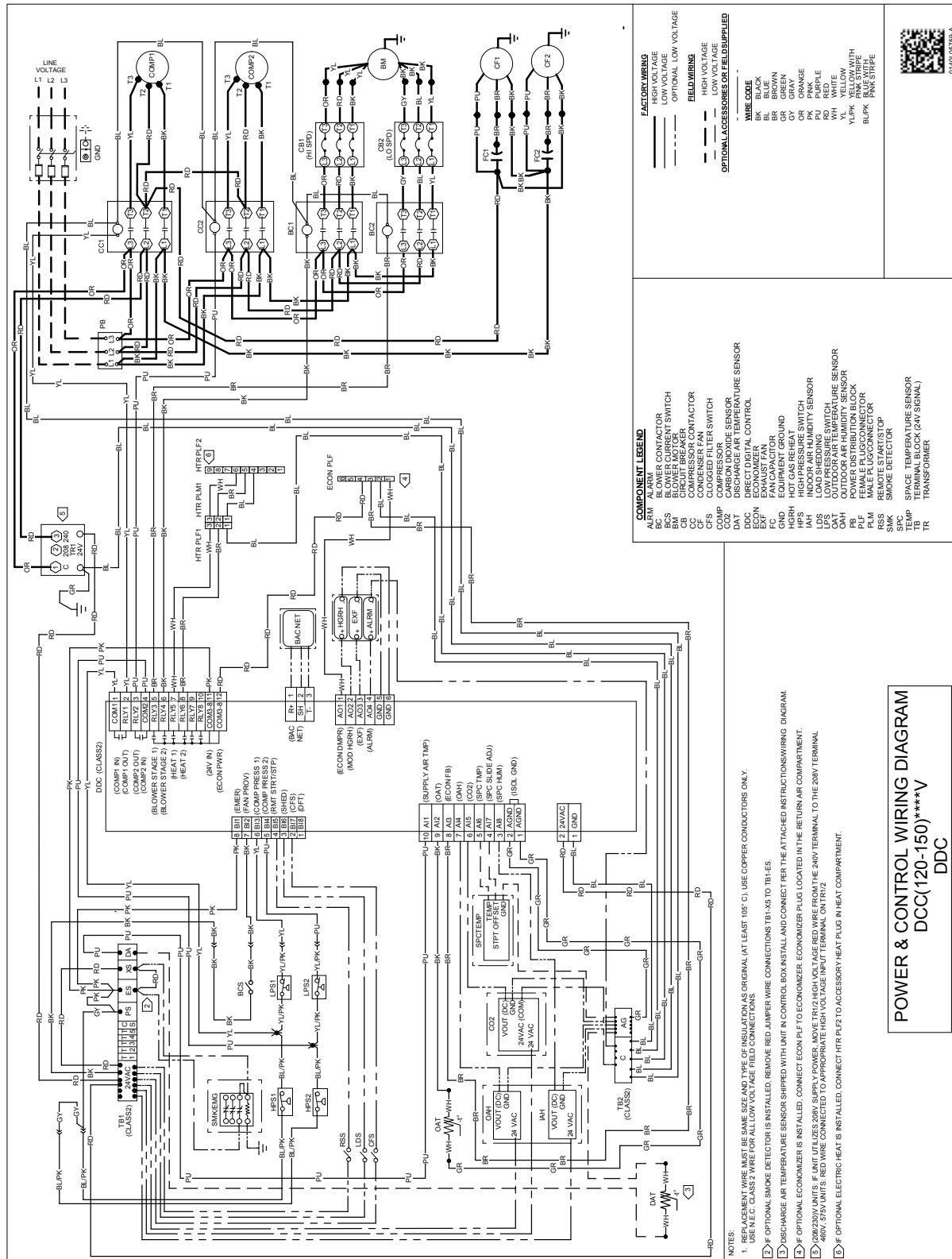
---

## *WIRING DIAGRAMS FOR MODELS WITH DDC CONTROLS*

FOR COMPLETE INFORMATION AND INSTALLATION INSTRUCTIONS FOR MODELS  
WITH DDC CONTROLS, SEE MANUAL DK-DDC-TGD-XXX



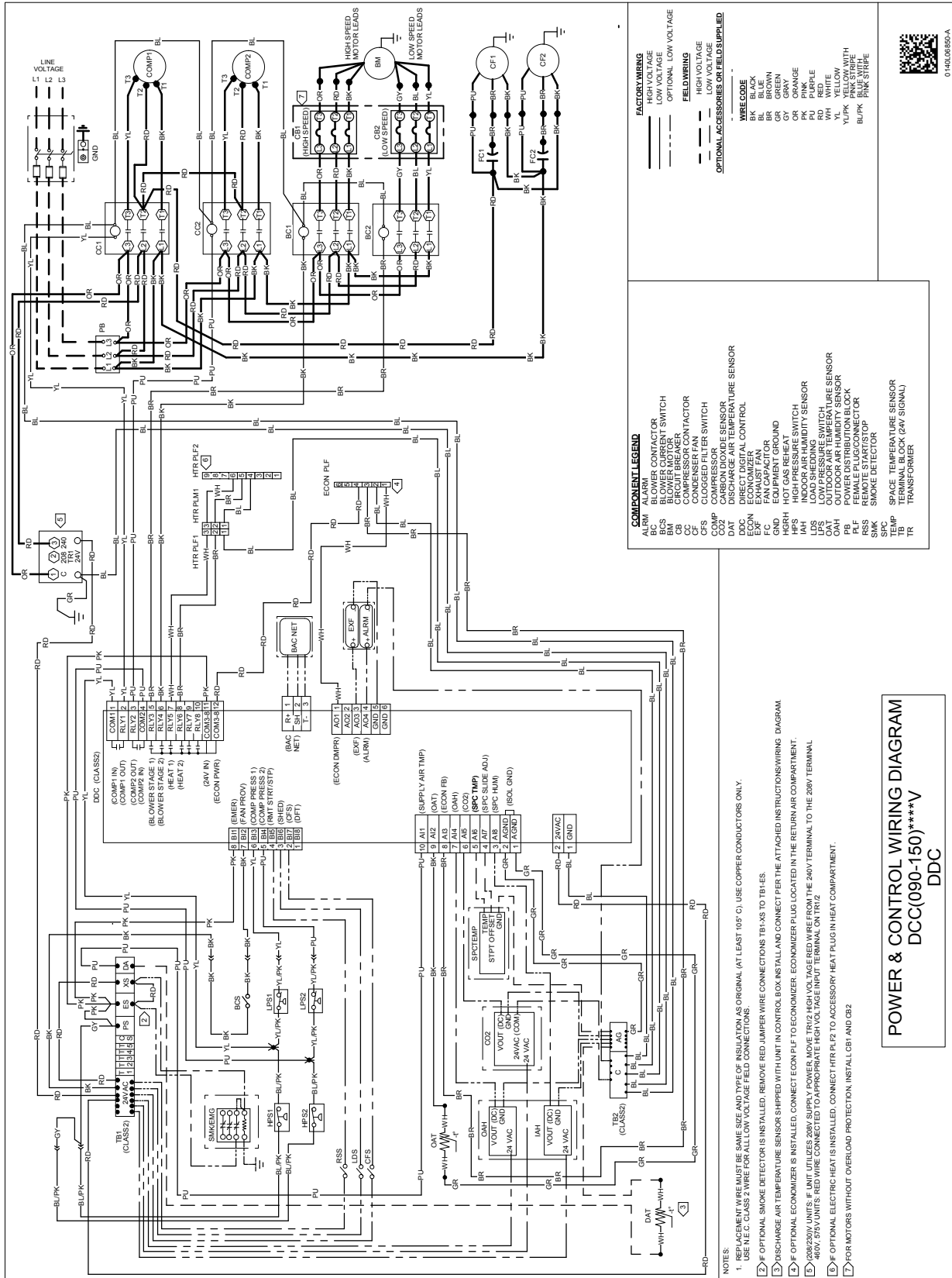
**WARNING** High Voltage: Disconnect all power before servicing or installing this unit. Multiple power sources may be present. Failure to do so may cause property damage, personal injury, or death.



Wiring is subject to change. Always refer to the wiring diagram on the unit for the most up-to-date wiring.

**WARNING**

**High Voltage:** Disconnect all power before servicing or installing this unit. Multiple power sources may be present. Failure to do so may cause property damage, personal injury, or death.



**WARNING**

High Voltage: Disconnect all power before servicing or installing this unit. Multiple power sources may be present. Failure to do so may cause property damage, personal injury, or death.

Wiring is subject to change. Always refer to the wiring diagram on the unit for the most up-to-date wiring.

DAIKIN INSTALLED ITEM #	DESCRIPTION	FITS MODEL SIZES	FIELD-INSTALLED	FACTORY-INSTALLED	OPERATING WEIGHT (LBS)
<b>Curb</b>					
14CURB90150	14" Roof Curb	7½-12½ tons	√		143
18CURB90150	18" Roof Curb	7½-12½ tons	√		165
24CURB90150	24" Roof Curb	7½-12½ tons	√		197
GHRC-90150	Hurricane Restraint Clips	7½-12½ tons	√		2
<b>Ultra Low-Leak Economizer &amp; Power Exhaust<sup>1</sup></b>					
1036610B	Ultra Low-Leak Downflow Economizer w/ Enthalpy	7½-12½ tons	√	√	137
1039610B	Ultra Low-Leak Horizontal Economizer w/ Enthalpy	7½-12½ tons	√		137
104651021	Prop Power Exhaust 230v	7½-12½ tons	√		55
104651031	Prop Power Exhaust 460v	7½-12½ tons	√		55
104651041	Prop Power Exhaust 575v	7½-12½ tons	√		55
<b>Low-Leak Economizer &amp; Power Exhaust<sup>2</sup></b>					
DDNECNJ90150B	Low-Leak Downflow Economizer	7½-12½ tons	√	√	130
DPE901502	Downflow Power Exhaust (208/230v)	7½-12½ tons	√		65
DPE901504	Downflow Power Exhaust (460v)	7½-12½ tons	√		65
DPE901507	Downflow Power Exhaust (575v)	7½-12½ tons	√		65
DINH290150B	Horizontal Economizer, Internally Mounted	7½-12½ tons	√		110
DHZECNJ90150	Horizontal Economizer	7½-12½ tons	√		90
DHPE901502	Horizontal Power Exhaust (208/230v)	7½-12½ tons	√		65
DHPE901504	Horizontal Power Exhaust (460v)	7½-12½ tons	√		65
DHPE901507	Horizontal Power Exhaust (575v)	7½-12½ tons	√		65
<b>Downflow Accessories</b>					
D25FD90150	25% Manual Fresh Air Damper	7½-12½ tons	√		15
D25MFD90150	25% Motorized Fresh Air Damper	7½-12½ tons	√		21
DDNBBS90150	Burglar Bar Sleeves: includes Supply & Return	7½-12½ tons	√		45
DDNECNJ90150NR	Low-Leak Downflow Economizer w/o Barometric Relief	7½-12½ tons	√		130
DDNSQRD9020	Downflow Square-to-Round Adapter 20" Round	7½ tons	√		55
<b>Horizontal Accessories</b>					
DBRD3672	Horizontal Barometric Relief Damper (2 required)	7½-12½ tons	√		30
<b>Concentrics</b>					
CDK90102	Concentric Duct Kit	7½-8½ tons	√		42
CDK120	Concentric Duct Kit	10 tons	√		104
CDK150	Concentric Duct Kit	12½ tons	√		151
<b>3 phase 208-230V Electric Heat Kits</b>					
EHK3-16	16kw 208-230v 3ph Electric Heat Kit	7½-12½ tons	√	√	21
EHK3-30	30kw 208-230v 3ph Electric Heat Kit	7½-12½ tons	√	√	21
EHK3-45	45kw 208-230v 3ph Electric Heat Kit	7½-12½ tons	√	√	21
<b>3 phase 460V Electric Heat Kits</b>					
EHK4-16	16kw 460v 3ph Electric Heat Kit	7½-12½ tons	√	√	21
EHK4-30	30kw 460v 3ph Electric Heat Kit	7½-12½ tons	√	√	21
EHK4-45	45kw 460v 3ph Electric Heat Kit	7½-12½ tons	√	√	21

DAIKIN INSTALLED ITEM #	DESCRIPTION	FITS MODEL SIZES	FIELD- INSTALLED	FACTORY- INSTALLED	OPERATING WEIGHT (LBS)
<b>3 phase 575V Electric Heat Kits</b>					
EHK7-16	16kw 575v 3ph Electric Heat Kit	7½-12½ tons	√	√	21
EHK7-30	30kw 575v 3ph Electric Heat Kit	7½-12½ tons	√	√	21
EHK7-45	45kw 575v 3ph Electric Heat Kit	7½-12½ tons	√	√	21
<b>DDC Accessories<sup>3</sup></b>					
	DDC communicating controller (built-in BACnet® MS/TP) includes Standard Room Sensor to be installed in field	7½-12½ tons		√	2
10366D10B	DDC Ultra Low-Leak Downflow Economizer	7½-12½ tons	√	√	71
10396D10	DDC Ultra Low-Leak Horizontal Economizer	7½-12½ tons	√		71
10465DDC	Power Exhaust kit used with DDC Ultra Low-Leak Economizer	7½-12½ tons	√		1
DLAKT03	Low-Ambient	7½-12½ tons	√	√	2
LONKT01	LonWorks® card	7½-12½ tons	√		1
3PMK01	Phase Monitor (3-Phase Only)	7½-12½ tons	√	√	2
DFSKT01	Dirty Filter Switch	7½-12½ tons	√		1
<b>High-Static Kits</b>					
HSKWTW090FI	High Static, Factory Installed (230/460/575v)	7½ tons		√	10
HSKWTW102FI	High Static, Factory Installed (230/460/575v)	8½ tons		√	10
HSKWTW120-3FIAC	High Static, Factory Installed (208/230v)	10 tons AC		√	60
HSKWTW120-4FIAC	High Static, Factory Installed (460v)	10 tons AC		√	60
HSKWTW120-7FIAC	High Static, Factory Installed (575v)	10 tons AC		√	60
HSKWTW150-3FI	High Static, Factory Installed (230v)	12½ tons		√	40
HSKWTW150-4FI	High Static, Factory Installed (460v)	12½ tons		√	40
HSKWTW150AC-7FI	High Static, Factory Installed (575v)	12½ tons AC/HP		√	35
<b>Crankcase Heater Kits</b>					
0130L00017S	70W 230V	7½-12½ tons	√		1
0130L00018S	70W 460V	7½-12½ tons	√		1
0130L00019S	70W 575V	7½-12½ tons	√		1
<b>High Efficiency Filters</b>					
0160L00205	High Efficiency MERV 13 Air Filter Nom. Size: 16x20x2; (Order Qty 4)	7.5 tons	√		4
0160L00206	High Efficiency MERV 13 Air Filter Nom. Size: 16x24x2; (Order Qty 4)	8.5 & 10 tons	√		4
0160L00202	High Efficiency MERV 13 Air Filter Nom. Size: 20x25x2; (Order Qty 4)	12.5 tons	√		6
<b>Misc Accessories</b>					
HailGD02D	Condenser Coil Hail Guard	7½-10 tons	√		34
HailGD05D	Condenser Coil Hail Guard	12½ tons	√		37
	Convenience Outlet: Powered	7½-12½ tons		√	42
	Convenience Outlet: Non Powered	7½-12½ tons		√	2

DAIKIN INSTALLED ITEM #	DESCRIPTION	FITS MODEL SIZES	FIELD-INSTALLED	FACTORY-INSTALLED	OPERATING WEIGHT (LBS)
	Disconnect Switch (non-fused)	7½-12½ tons		√	5
LAKT17	Low-Ambient Kit, 208-230V - non-DDC	7½-8½ tons	√	√	23
LAKT18	Low-Ambient Kit, 460V - non-DDC	7½-8½ tons	√	√	23
LAKT19	Low-Ambient Kit, 575V - non-DDC	7½-8½ tons	√	√	23
LAKT20	Low-Ambient Kit, 208-230V - non-DDC	10-12½ tons	√	√	23
LAKT21	Low-Ambient Kit, 460V - non-DDC	10-12½ tons	√	√	23
LAKT22	Low-Ambient Kit, 575V - non-DDC	10-12½ tons	√	√	23
3PMNDK01	Phase Monitor - Non DDC	7½-12½ tons	√	√	2
	Smoke Detector (supply and/or return air)	7½-12½ tons		√	11
	Hinged Panels	7½-12½ tons		√	34

<sup>1</sup> Use Economizer & Power Exhaust listed within Ultra Low-Leak section

<sup>2</sup> Use Economizer & Power Exhaust listed within Low-Leak section

<sup>3</sup> For a full list of DDC accessories, please refer to DDC Controller Technical Guide manual (DK-DDC-TGD-01B)

**Note:** Where multiple variations are available, the heaviest combination is listed.