

PTH093G Package Terminal Heat Pump

PTH093G15AXXXCA
PTH093G15DXXXCA
PTH093G25CQXXCA
PTH093G25CXXXCA
PTH093G25DRXXCA
PTH093G25DXXXCA
PTH093G25PXXXCA
PTH093G25QRXXCA
PTH093G25QXXXCA
PTH093G25VWXXCA
PTH093G25VXXXCA
PTH093G35AXXXCA
PTH093G35CQXXCA
PTH093G35CRXXCA
PTH093G35DRXXCA
PTH093G35DXXXCA
PTH093G35QRXXCA
PTH093G35RVXXCA
PTH093G35RXXXCA
PTH093G35VXXXCA
PTH093G35WXXXCA
PTH093G50AXXXCA
PTH093G50CXXXCA
PTH093G50DRXXCA
PTH093G50DXXXCA
PTH093G50PXXXCA
PTH093G50QRXXCA
PTH093G50QXXXCA
PTH093G50RXXXCA
PTH093G50VXXXCA



Amana® is a registered trademark of Maytag Corporation or its related companies and is used under license. All rights reserved.

This manual is to be used by qualified technicians only.

This manual replaces RP-A5002G.

Important Information

Index

Functional Parts List	3
Illustration and Parts	4 - 13

Views shown are for parts illustrations only, not servicing procedures

Text Codes:

AR - As Required

NA - Not Available

NS - Not Shown

00000000 - See Note

QTY - Quantity Example (QTY 3) (If Quantity not shown, Quantity = 1)

M - Model Example (M1) (If M Code not shown, then part is used on all Models)

Expanded Model Nomenclature:

Example M1 - Model#1 M2 - Model#2 M3 - Model#3

Goodman Company, L.P. is not responsible for personal injury or property damage resulting from improper service. Review all service information before beginning repairs.

Warranty service must be performed by an authorized technician, using authorized factory parts. If service is required after the warranty expires, Goodman Company, L.P. also recommends contacting an authorized technician and using authorized factory parts.

Goodman Company, L.P. reserves the right to discontinue, or change at any time, specifications or designs without notice or without incurring obligations.

For assistance within the U.S.A. contact:

Homeowner Support
Goodman Company, L.P.
19001 Kermier Road
Waller, Texas 77484
877-254-4729-Telephone
713-863-2382-Facsimile

For assistance outside the U.S.A. contact:

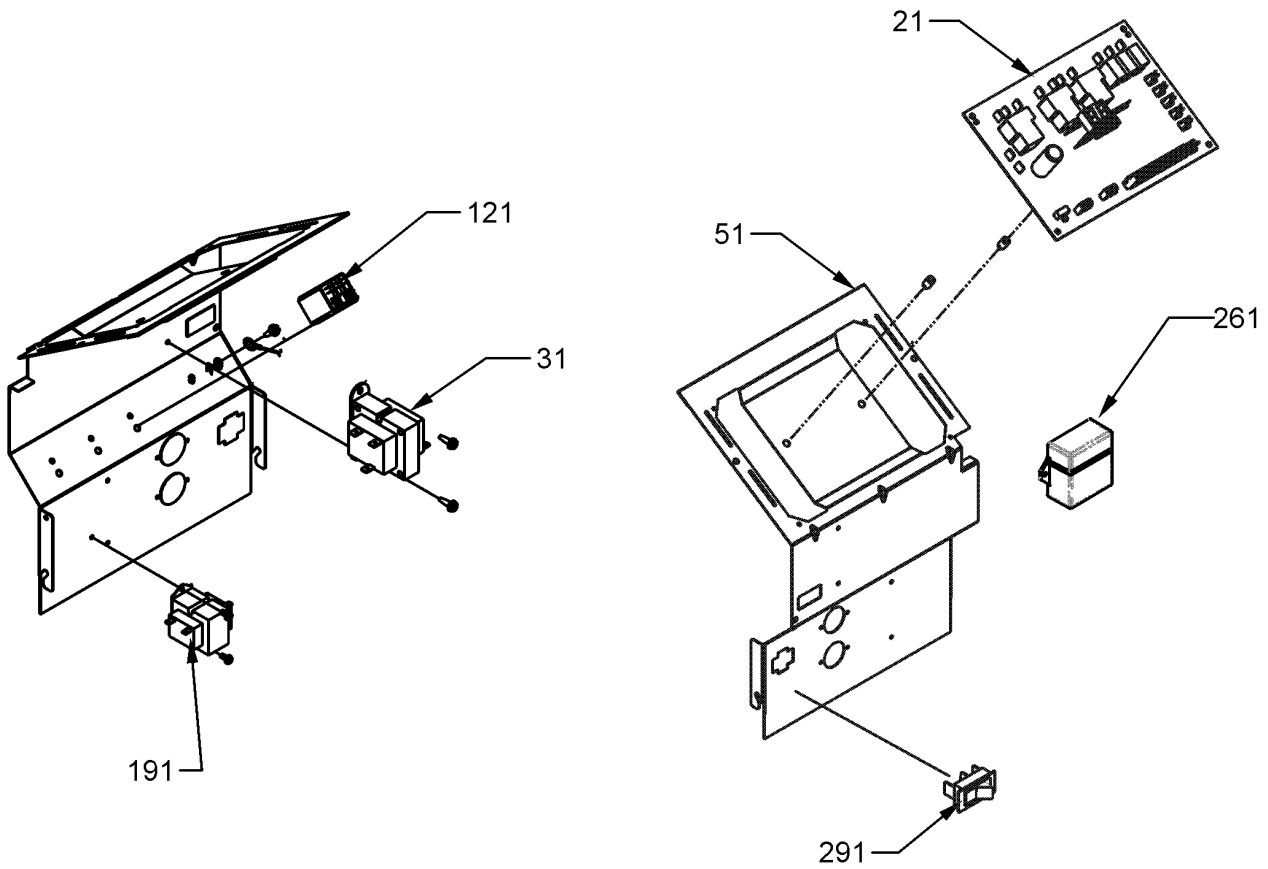
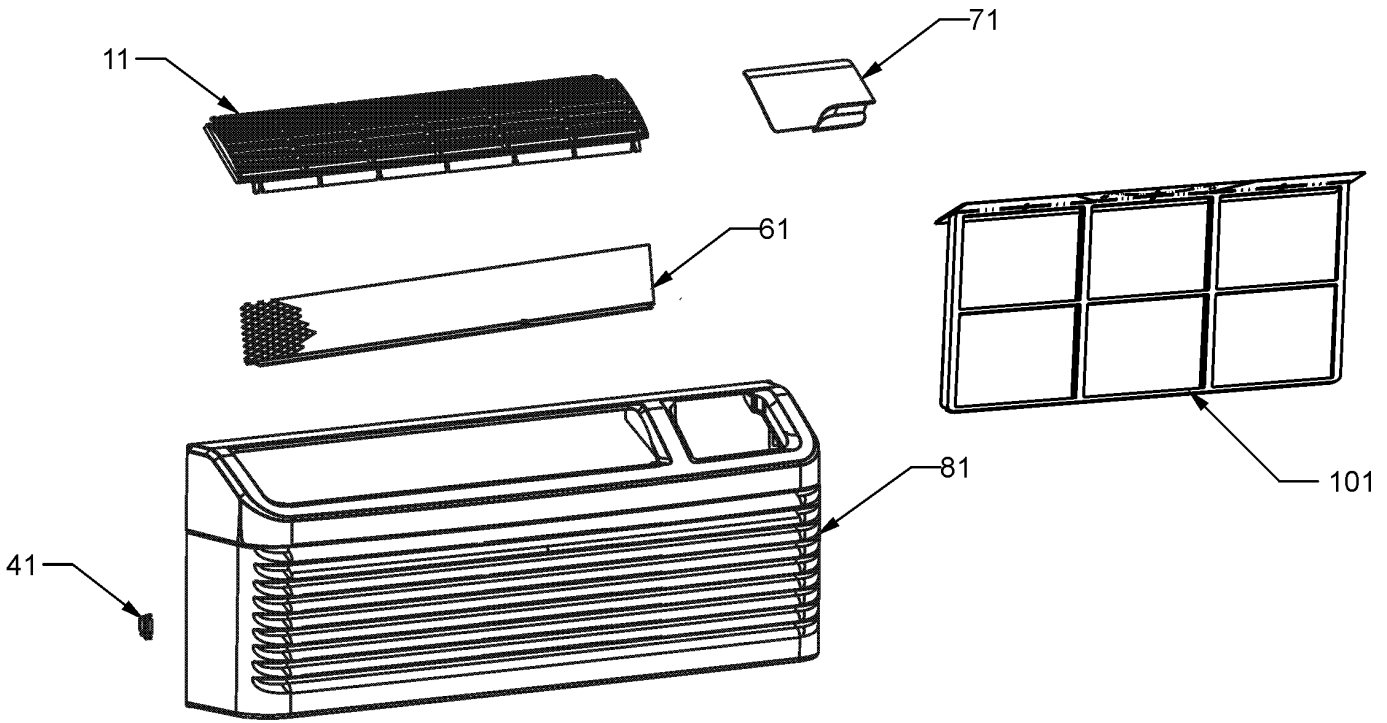
International Division
Goodman Company, L.P.
19001 Kermier Road
Waller, Texas 77484
713-861-2500-Telephone
713-863-2382-Facsimile

Functional Parts

Part No: **Description:**

Part No:	Description:	Expanded Model Nomenclature
20406303	BASE PAN VALVE (M1, M2, M3, M4, M5, M6, M8, M9, M10, M11, M12, M13, M14, M15, M16, M17, M18, M19, M20, M21, M22, M23, M24, M25, M27, M28, M29, M30)	M1 - PTH093G50RXXXCA M2 - PTH093G50VXXXCA M3 - PTH093G15AXXXCA M4 - PTH093G15DXXXCA M5 - PTH093G25CQXXCA M6 - PTH093G25CXXXCA M7 - PTH093G25DRXXCA M8 - PTH093G25DXXXCA M9 - PTH093G25PXXXCA M10 - PTH093G25QRXXCA M11 - PTH093G25QXXXCA M12 - PTH093G25VWXXCA M13 - PTH093G25VXXXCA M14 - PTH093G35AXXXCA M15 - PTH093G35CQXXCA M16 - PTH093G35CRXXCA M17 - PTH093G35DRXXCA M18 - PTH093G35DXXXCA M19 - PTH093G35QRXXCA M20 - PTH093G35RVXXCA M21 - PTH093G35RXXXCA M22 - PTH093G35VXXXCA M23 - PTH093G35WXXXCA M24 - PTH093G50AXXXCA M25 - PTH093G50CXXXCA M26 - PTH093G50DRXXCA M27 - PTH093G50DXXXCA M28 - PTH093G50PXXXCA M29 - PTH093G50QRXXCA M30 - PTH093G50QXXXCA
CAP020250450CS	CAPACITOR 2/25/450V/DUAL RD	
CAP020000440RP	CAPACITOR 2/440V	
0163P00023	CONDENSATE PUMP (M7, M26)	
0121P00077	CONDENSATE PUMP BRACKET (M7, M26)	
RSKP0012	CONTROL BOARD M70	
RSKP0015	CONTROL PANEL COVER AND MEMBRANE	
0130P00112	CORD,250VAC,15A (LCD) (M1, M2, M3, M4, M5, M6, M7, M8, M9, M10, M11)	
0130P00115	CORD,250VAC,20A (LCD) (M12, M13, M14, M15, M16, M17, M18, M19, M20, M21)	
0130P00118	CORD,250VAC,30A (LCD) (M22, M23, M24, M25, M26, M27, M28, M29, M30)	
0131P00036	FAN MOTOR, INDOOR (M22, M23, M24, M25, M26, M27, M28, M29, M30)	
0131P00035	FAN MOTOR, INDOOR (M1, M2, M3, M4, M5, M6, M7, M8, M9, M10, M11, M12, M13, M14, M15, M16, M17, M18, M19, M20, M21)	
0131P00033	FAN MOTOR, OUTDOOR	
0161P00055	FAN, CONDENSER	
0275P00039	HEATER ASSY (M22, M23, M24, M25, M26, M27, M28, M29, M30)	
0275P00038	HEATER ASSY (M12, M13, M14, M15, M16, M17, M18, M19, M20, M21)	
0275P00022	HEATER ASSY (M1, M2)	
0275P00019	HEATER ASSY (M3, M4, M5, M6, M7, M8, M9, M10, M11)	
60343638	OVERLOAD PROTECTOR	
PCBCP140	PCB, CONTROL, D70 (M2, M5, M6, M7, M10, M11, M15, M16, M18, M20, M24, M25, M26, M30)	
0130P00137	POWER VENT MOTOR (M2, M5, M6, M10, M11, M15, M16, M18, M20, M24, M25, M30)	
39B202A	RECHI COMPRESSOR	
0151P00000	REVERSING VALVE ASSY-230V	
0130P00022	REVERSING VALVE COIL	
0130M00181	SPDT RELAY (M7, M26)	
0130M00169	SWITCH, HIGH PRESS	
802007090	TERMINAL BOARD	
0130P00074	THERMISTOR	
0130P00130	THERMISTOR	
0130P00134	THERMISTOR - DISCHARGE	
0130P00077	THERMISTOR - INDOOR (M5, M8, M14, M15, M17, M18, M19, M24, M27, M29)	
0130P00086	THERMISTOR - INDOOR COIL	
0130P00098	THERMISTOR - OUTDOOR AMBIENT (M5, M8, M14, M15, M17, M18, M19, M24, M27, M29)	
0130M00150	Trans.,40VA, 240V/208V to 120V (M7, M26)	
0130M00152	TRANSFORMER (M1, M2, M3, M4, M5, M6, M8, M9, M10, M11, M12, M13, M14, M15, M16, M17, M18, M19, M20, M21, M22, M23, M24, M25, M27, M28, M29, M30)	
0130M00149	TRANSFORMER 240V/208V TO 24V, 40VA (M2, M5, M6, M7, M10, M11, M15, M16, M18, M20, M24, M25, M26, M30)	
0150P00004	WHEEL, BLOWER	

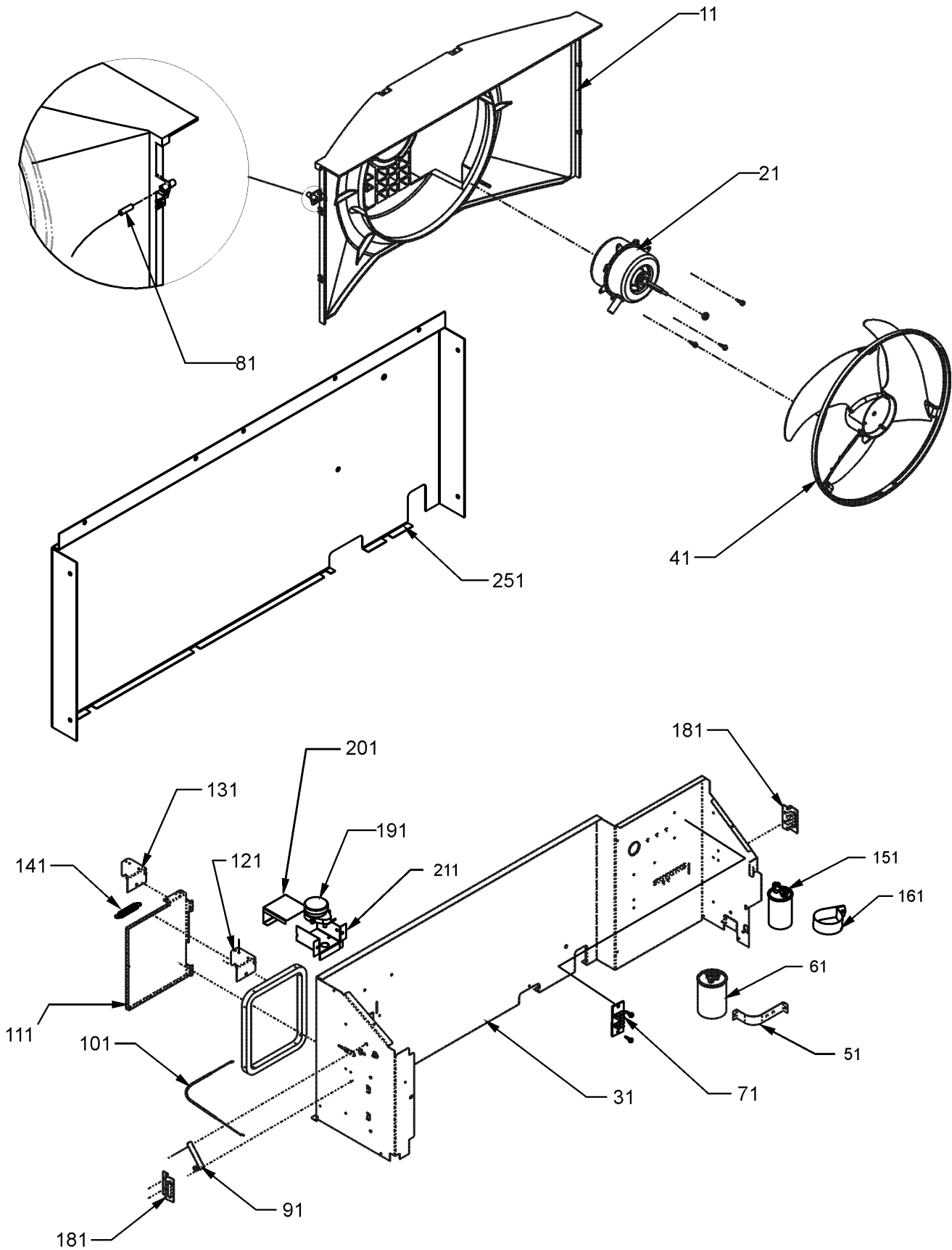
Control Panel / Front Assembly



Control Panel / Front Assembly

Ref. Part No: No:	Description:	Ref. Part No: No:	Description:
<i>Image 1:</i>		Expanded Model Nomenclature	
11	0161P00048 FRONT, LOUVERS DISCHARGE	M1	- PTH093G50RXXXCA
21	RSKP0012 CONTROL BOARD M70	M2	- PTH093G50VXXXCA
31	0130M00150 Trans.,40VA, 240V/208V to 120V (M7, M26)	M3	- PTH093G15AXXXCA
31	0130M00152 TRANSFORMER (M1, M2, M3, M4, M5, M6, M8, M9, M10, M11, M12, M13, M14, M15, M16, M17, M18, M19, M20, M21, M22, M23, M24, M25, M27, M28, M29, M30)	M4	- PTH093G15DXXXCA
41	0163P00025 CLIP (QTY 2)	M5	- PTH093G25CQXXCA
51	0121P00130 PANEL, CONTROL	M6	- PTH093G25CXXXCA
61	0121P00073 SCREEN, DISCHARGE	M7	- PTH093G25DRXXCA
71	0261P00003 DOOR ASSY -AMANA-	M8	- PTH093G25DXXXCA
81	0261P00011 FRONT ASSY	M9	- PTH093G25PXXXCA
101	0161P00035 FILTER, RACK (QTY 2)	M10	- PTH093G25QRXXCA
121	0130M00181 SPDT RELAY (M7, M26)	M11	- PTH093G25QXXXCA
191	0130M00149 TRANSFORMER 240V/208V TO 24V, 40VA (M2, M5, M6, M7, M10, M11, M15, M16, M18, M20, M24, M25, M26, M30)	M12	- PTH093G25VWXXCA
261	0130P00104 ANTENNA (DIGITENNA) (M5, M8, M14, M15, M17, M18, M19, M24, M27, M29)	M13	- PTH093G25VXXXCA
291	B1337701 PADDLE SWITCH (M2, M5, M6, M10, M11, M15, M16, M18, M20, M24, M25, M30)	M14	- PTH093G35AXXXCA
NS	PCBCP140 PCB, CONTROL, D70 (M2, M5, M6, M7, M10, M11, M15, M16, M18, M20, M24, M25, M26, M30)	M15	- PTH093G35CQXXCA
		M16	- PTH093G35CRXXCA
		M17	- PTH093G35DRXXCA
		M18	- PTH093G35DXXXCA
		M19	- PTH093G35QRXXCA
		M20	- PTH093G35RVXXCA
		M21	- PTH093G35RXXXCA
		M22	- PTH093G35VXXXCA
		M23	- PTH093G35WXXXCA
		M24	- PTH093G50AXXXCA
		M25	- PTH093G50CXXXCA
		M26	- PTH093G50DRXXCA
		M27	- PTH093G50DXXXCA
		M28	- PTH093G50PXXXCA
		M29	- PTH093G50QRXXCA
		M30	- PTH093G50QXXXCA

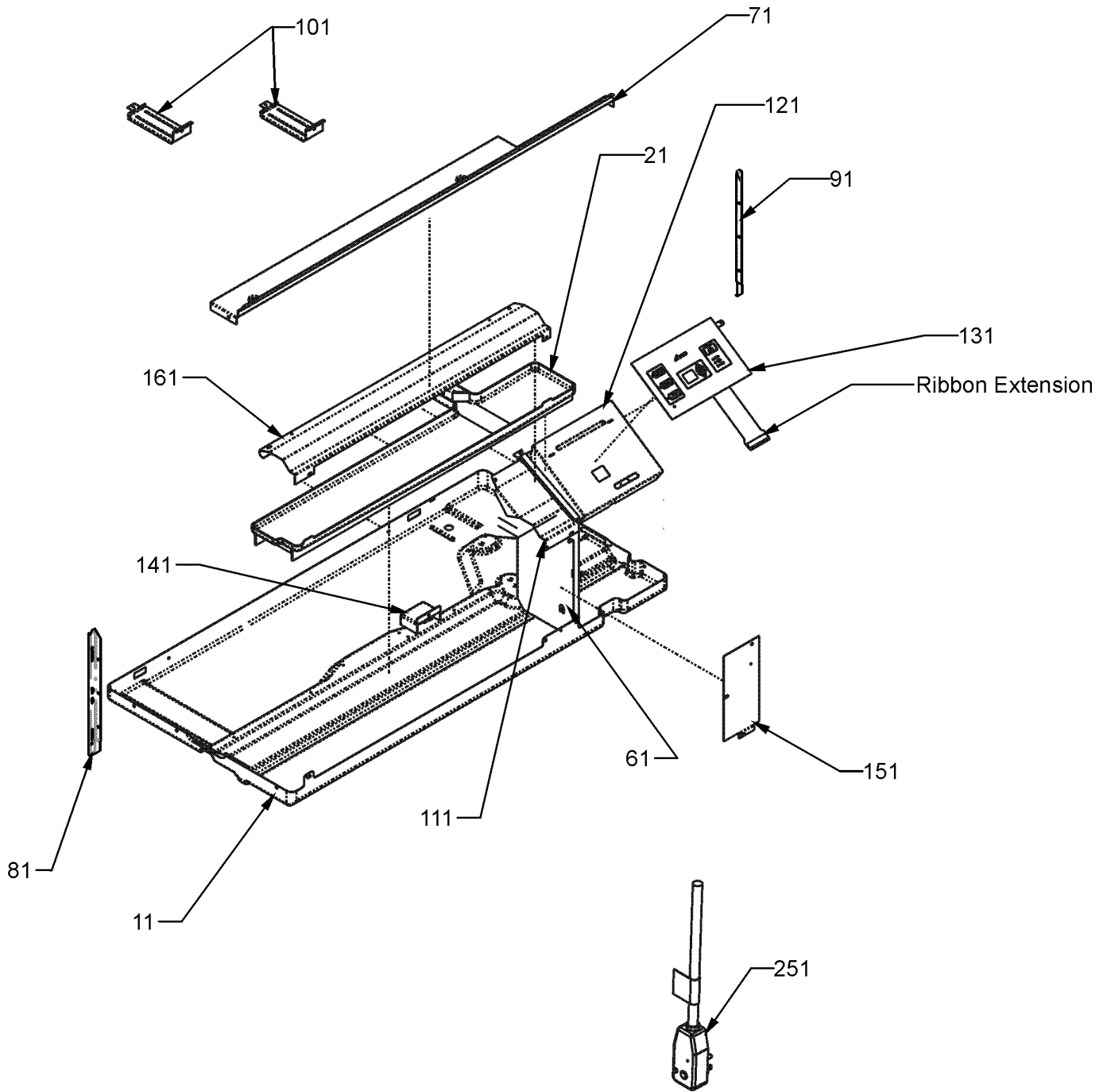
Condenser Fan / Partition Assembly



Condenser Fan / Partition Assembly

Ref. Part No: No:	Description:	Ref. Part No: No:	Description:
Image 1:		Expanded Model Nomenclature	
11	0161P00053 SHROUD, CONDENSER	M1	- PTH093G50RXXXCA
21	0131P00033 FAN MOTOR, OUTDOOR	M2	- PTH093G50VXXXCA
31	0121P00093 PANEL-PARTITION (M3, M8, M9, M13, M17, M27, M28)	M3	- PTH093G15AXXXCA
31	0121P00108NG PANEL-PARTITION (M1, M2, M4, M5, M6, M7, M10, M11, M12, M14, M15, M16, M18, M19, M20, M21, M22, M23, M24, M25, M26, M29, M30)	M4	- PTH093G15DXXXCA
41	0161P00055 FAN, CONDENSER	M5	- PTH093G25CQXXCA
51	C6300502 CAPACITOR STRAP	M6	- PTH093G25CXXXCA
61	CAP020250450CS CAPACITOR 2/25/450V/DUAL RD	M7	- PTH093G25DRXXCA
71	802007090 TERMINAL BOARD	M8	- PTH093G25DXXXCA
81	0130P00098 THERMISTOR - OUTDOOR AMBIENT (M5, M8, M14, M15, M17, M18, M19, M24, M27, M29)	M9	- PTH093G25PXXXCA
91	11046302 LEVER ARM (M1, M4, M7, M12, M14, M19, M21, M22, M23, M26, M29)	M10	- PTH093G25QRXXCA
101	0163P00019 CABLE (M1, M4, M7, M12, M14, M19, M21, M22, M23, M26, M29)	M11	- PTH093G25QXXXCA
111	0121P00177 DOOR-VENT PTC (M1, M2, M4, M5, M6, M7, M10, M11, M12, M14, M15, M16, M18, M19, M20, M21, M22, M23, M24, M25, M26, M29, M30)	M12	- PTH093G25VWXXCA
121	0121P00079 BRACKET, VENT DOOR (M2, M5, M6, M10, M11, M15, M16, M18, M20, M24, M25, M30)	M13	- PTH093G25VXXXCA
131	0121P00072 BRACKET, VENT DOOR (M1, M4, M7, M12, M14, M19, M21, M22, M23, M26, M29)	M14	- PTH093G35AXXXCA
141	11166401 EXTENSION SPRING (M2, M5, M6, M10, M11, M15, M16, M18, M20, M24, M25, M30)	M15	- PTH093G35CQXXCA
151	CAP020000440RP CAPACITOR 2/440V	M16	- PTH093G35CRXXCA
161	0163P00029 CAPACITOR CLAMP	M17	- PTH093G35DRXXCA
181	11191703 PARTITION PANEL BRACKET (QTY 2)	M18	- PTH093G35DXXXCA
191	0130P00137 POWER VENT MOTOR (M2, M5, M6, M10, M11, M15, M16, M18, M20, M24, M25, M30)	M19	- PTH093G35QRXXCA
201	11166201 POWER VENT COVER BRACKET (M2, M5, M6, M10, M11, M15, M16, M18, M20, M24, M25, M30)	M20	- PTH093G35RVXXCA
211	11166101 POWER VENT MOTOR BRACKET (M2, M5, M6, M10, M11, M15, M16, M18, M20, M24, M25, M30)	M21	- PTH093G35RXXXCA
251	0121P00091 PANEL-AUXILLIARY (M8, M9, M17, M27, M28)	M22	- PTH093G35VXXXCA
NS	0163P00023 CONDENSATE PUMP (M7, M26)	M23	- PTH093G35WXXXCA
NS	0121P00077 CONDENSATE PUMP BRACKET (M7, M26)	M24	- PTH093G50AXXXCA
		M25	- PTH093G50CXXXCA
		M26	- PTH093G50DRXXCA
		M27	- PTH093G50DXXXCA
		M28	- PTH093G50PXXXCA
		M29	- PTH093G50QRXXCA
		M30	- PTH093G50QXXXCA

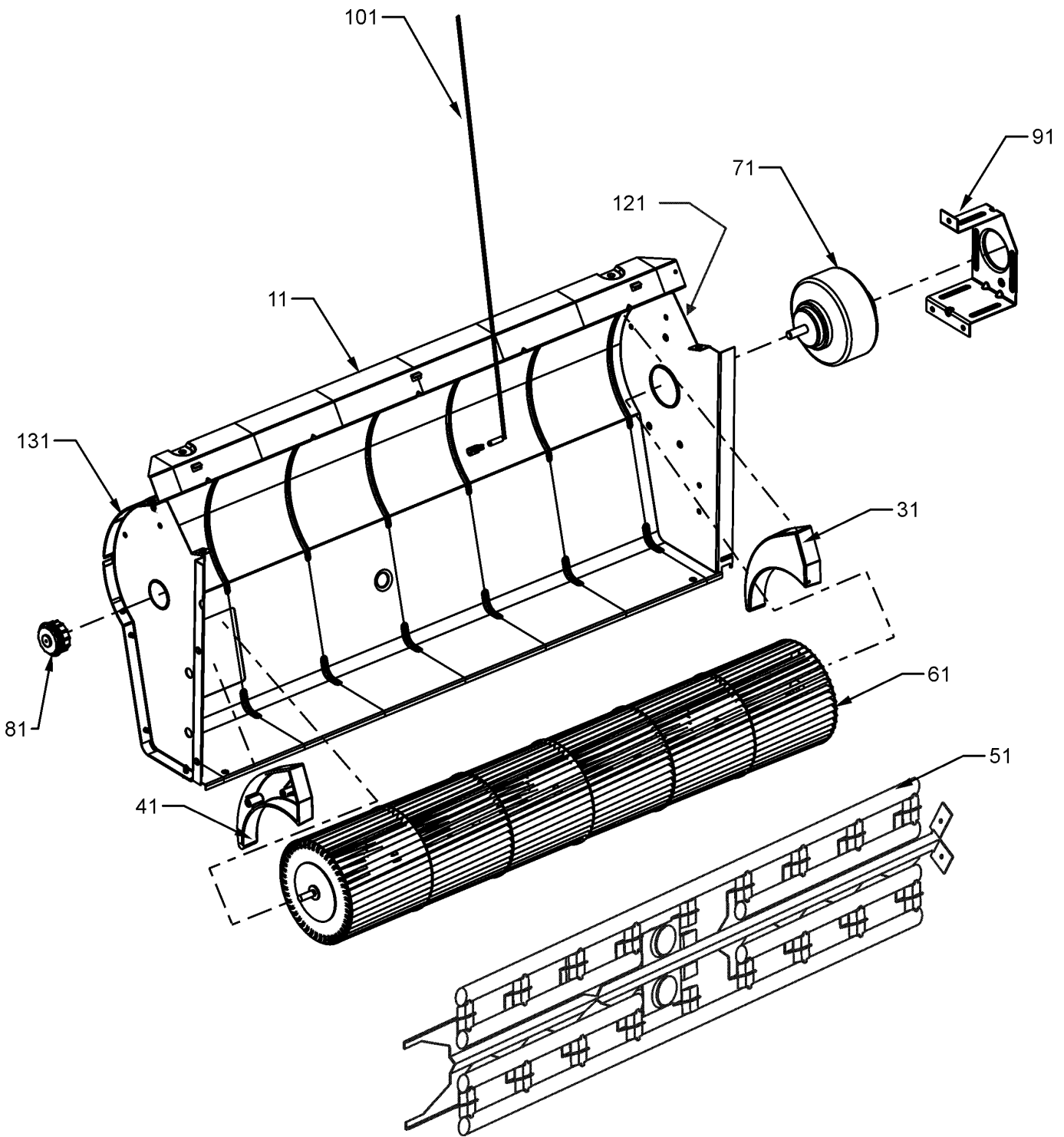
Partition Assembly



Partition Assembly

Ref. Part No: No:	Description:	Ref. Part No: No:	Description:
<i>Image 1:</i>		Expanded Model Nomenclature	
11	0121P00175DG BASEPAN (M1, M2, M5, M6, M7, M8, M9, M10, M11, M12, M15, M16, M17, M18, M19, M20, M21, M22, M24, M25, M26, M27, M28, M29, M30)	M1	- PTH093G50RXXXCA
		M2	- PTH093G50VXXXCA
11	0121P00175NG BASEPAN (M3, M4, M13, M14, M23)	M3	- PTH093G15AXXXCA
21	0161P00044 PLASTIC-DRAIN PAN	M4	- PTH093G15DXXXCA
61	20403301 MID PARTITION PANEL	M5	- PTH093G25CQXXCA
71	0121P00063NG TOP, PARTITION PANEL	M6	- PTH093G25CXXXCA
81	20416201 SEAL-L SIDE PTC	M7	- PTH093G25DRXXCA
91	20416101 SEAL-R SIDE PTC	M8	- PTH093G25DXXXCA
101	0121P00071NG BRACE, TIE (QTY 2)	M9	- PTH093G25PXXXCA
111	0121P00070DG COVER, MOTOR	M10	- PTH093G25QRXXCA
121	0121P00129 COVER-CONTROL PANEL	M11	- PTH093G25QXXXCA
131	RSKP0015 CONTROL PANEL COVER AND MEMBRANE	M12	- PTH093G25VWXXCA
141	0161P00016 PLASTIC-HOOD	M13	- PTH093G25VXXXCA
151	20410801 ACCESS COVER	M14	- PTH093G35AXXXCA
161	0121P00061DG CUTOFF-SCROLL DG	M15	- PTH093G35CQXXCA
251	0130P00112 CORD,250VAC,15A (LCD) (M1, M2, M3, M4, M5, M6, M7, M8, M9, M10, M11)	M16	- PTH093G35CRXXCA
251	0130P00115 CORD,250VAC,20A (LCD) (M12, M13, M14, M15, M16, M17, M18, M19, M20, M21)	M17	- PTH093G35DRXXCA
251	0130P00118 CORD,250VAC,30A (LCD) (M22, M23, M24, M25, M26, M27, M28, M29, M30)	M18	- PTH093G35DXXXCA
NS	0130P00109 MEMBRANE (CONTROL)	M19	- PTH093G35QRXXCA
		M20	- PTH093G35RVXXCA
		M21	- PTH093G35RXXXCA
		M22	- PTH093G35VXXXCA
		M23	- PTH093G35WXXXCA
		M24	- PTH093G50AXXXCA
		M25	- PTH093G50CXXXCA
		M26	- PTH093G50DRXXCA
		M27	- PTH093G50DXXXCA
		M28	- PTH093G50PXXXCA
		M29	- PTH093G50QRXXCA
		M30	- PTH093G50QXXXCA

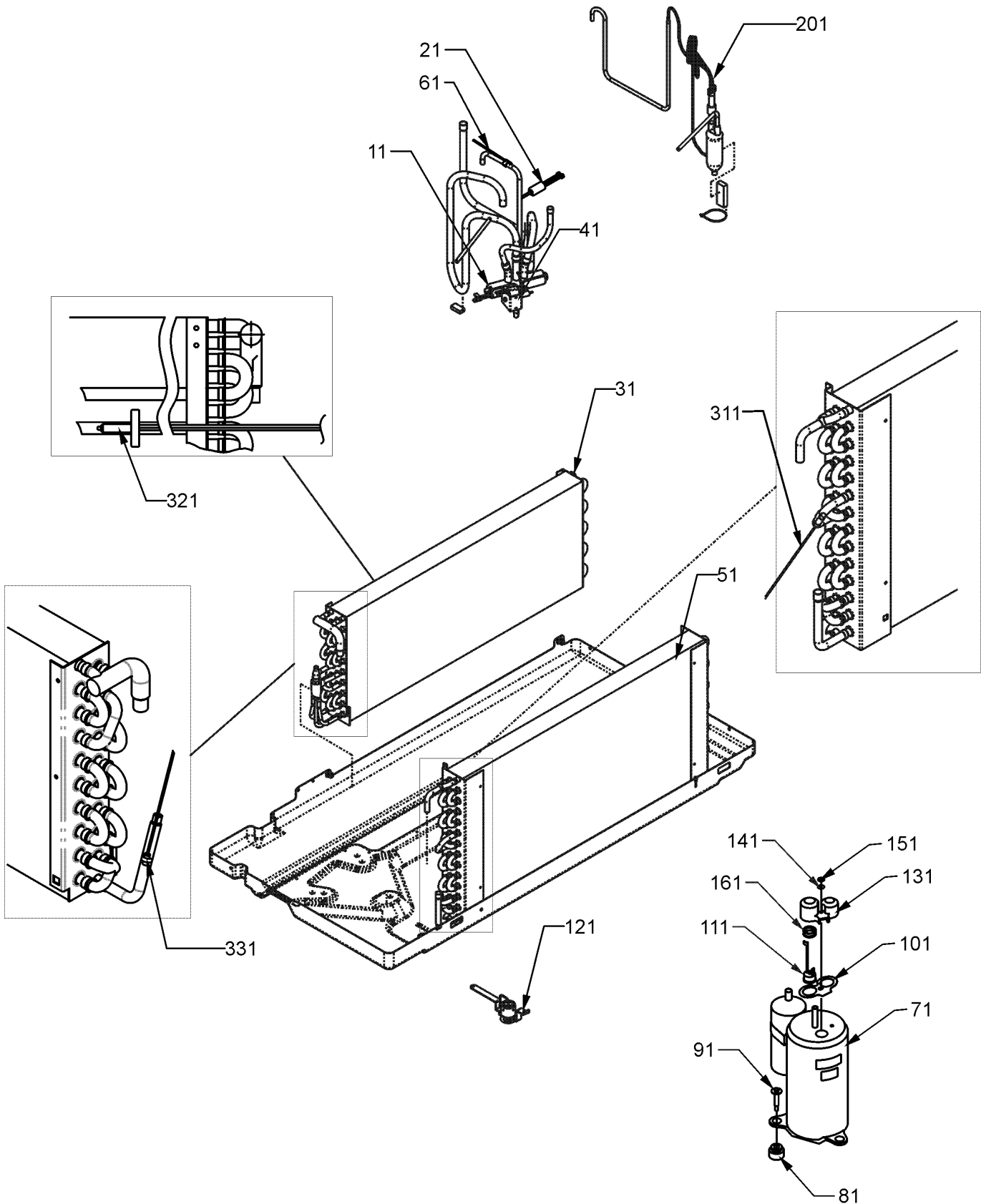
Evaporator Blower / Heater Assembly



Evaporator Blower / Heater Assembly

Ref. Part No: No:	Description:	Ref. Part No: No:	Description:
<i>Image 1:</i>		Expanded Model Nomenclature	
11	0121P00173DG SCROLL	M1	- PTH093G50RXXXCA
31	0161P00021 END CAP, RIGHT	M2	- PTH093G50VXXXCA
41	0161P00022 END CAP, LEFT	M3	- PTH093G15AXXXCA
51	0275P00019 HEATER ASSY (M3, M4, M5, M6, M7, M8, M9, M10, M11)	M4	- PTH093G15DXXXCA
51	0275P00022 HEATER ASSY (M1, M2)	M5	- PTH093G25CQXXCA
51	0275P00038 HEATER ASSY (M12, M13, M14, M15, M16, M17, M18, M19, M20, M21)	M6	- PTH093G25CXXXCA
51	0275P00039 HEATER ASSY (M22, M23, M24, M25, M26, M27, M28, M29, M30)	M7	- PTH093G25DRXXCA
61	0150P00004 WHEEL, BLOWER	M8	- PTH093G25DXXXCA
71	0131P00035 FAN MOTOR, INDOOR (M1, M2, M3, M4, M5, M6, M7, M8, M9, M10, M11, M12, M13, M14, M15, M16, M17, M18, M19, M20, M21)	M9	- PTH093G25PXXXCA
71	0131P00036 FAN MOTOR, INDOOR (M22, M23, M24, M25, M26, M27, M28, M29, M30)	M10	- PTH093G25QRXXCA
81	0163P00027 BEARING	M11	- PTH093G25QXXXCA
91	0121P00048 BRACKET-MOTOR MOUNT	M12	- PTH093G25VWXXCA
101	0130P00134 THERMISTOR - DISCHARGE	M13	- PTH093G25VXXXCA
121	0121P00059DG ENDPLATE-RH SCROLL	M14	- PTH093G35AXXXCA
131	0121P00088DG ENDPLATE- LH SCROLL	M15	- PTH093G35CQXXCA
		M16	- PTH093G35CRXXCA
		M17	- PTH093G35DRXXCA
		M18	- PTH093G35DXXXCA
		M19	- PTH093G35QRXXCA
		M20	- PTH093G35RVXXCA
		M21	- PTH093G35RXXXCA
		M22	- PTH093G35VXXXCA
		M23	- PTH093G35WXXXCA
		M24	- PTH093G50AXXXCA
		M25	- PTH093G50CXXXCA
		M26	- PTH093G50DRXXCA
		M27	- PTH093G50DXXXCA
		M28	- PTH093G50PXXXCA
		M29	- PTH093G50QRXXCA
		M30	- PTH093G50QXXXCA

Coil / Compressor / Tubing Assembly



Coil / Compressor / Tubing Assembly

Ref. Part
No: No:

Description:

Ref. Part
No: No:

Description:

Image 1:

11	0151P00000	REVERSING VALVE ASSY-230V
21	0130M00169	SWITCH, HIGH PRESS
31	0202P00065	EVAP ASSY, 5/16, 3 ROW
41	0130P00022	REVERSING VALVE COIL
51	0201P00115	7MM COND ASSY 3 ROW (M1, M2, M5, M6, M7, M8, M9, M10, M11, M12, M15, M16, M17, M18, M19, M20, M21, M22, M24, M25, M26, M27, M28, M29, M30)
51	0201P00104NG	7MM CONDENSER ASSEMBLY PAINTED (M3, M4, M13, M14, M23)
61	0130P00077	THERMISTOR - INDOOR (M5, M8, M14, M15, M17, M18, M19, M24, M27, M29)
71	39B202A	RECHI COMPRESSOR
81	60130203	GROMMET - RECHI COMPRESSOR (QTY 3)
91	0163M00079	SCREW, SHOULDER (QTY 3)
101	60100103	TERMINAL GASKET
111	60343638	OVERLOAD PROTECTOR
121	20406303	BASE PAN VALVE (M1, M2, M3, M4, M5, M6, M8, M9, M10, M11, M12, M13, M14, M15, M16, M17, M18, M19, M20, M21, M22, M23, M24, M25, M27, M28, M29, M30)
131	60100314	TERMINAL COVER - RECHI COMP
141	60100201	WASHER - RECHI COMPRESSOR
151	60100401	TERMINAL NUT - RECHI COMP
161	60500101	OLP SPRING - RECHI COMPRESSOR
201	0210P00250	CAPILLARY WELDMENT
311	0130P00130	THERMISTOR
321	0130P00074	THERMISTOR
331	0130P00086	THERMISTOR - INDOOR COIL
NS	BT1392310	PLASTIC CLAMP, .1875 DIA (M2, M5, M6, M10, M11, M15, M16, M18, M20, M24, M25, M30)

Expanded Model Nomenclature

M1 - PTH093G50RXXXCA
M2 - PTH093G50VXXXCA
M3 - PTH093G15AXXXCA
M4 - PTH093G15DXXXCA
M5 - PTH093G25CQXXCA
M6 - PTH093G25CXXXCA
M7 - PTH093G25DRXXCA
M8 - PTH093G25DXXXCA
M9 - PTH093G25PXXXCA
M10 - PTH093G25QRXXCA
M11 - PTH093G25QXXXCA
M12 - PTH093G25VWXXCA
M13 - PTH093G25VXXXCA
M14 - PTH093G35AXXXCA
M15 - PTH093G35CQXXCA
M16 - PTH093G35CRXXCA
M17 - PTH093G35DRXXCA
M18 - PTH093G35DXXXCA
M19 - PTH093G35QRXXCA
M20 - PTH093G35RVXXCA
M21 - PTH093G35RXXXCA
M22 - PTH093G35VXXXCA
M23 - PTH093G35WXXXCA
M24 - PTH093G50AXXXCA
M25 - PTH093G50CXXXCA
M26 - PTH093G50DRXXCA
M27 - PTH093G50DXXXCA
M28 - PTH093G50PXXXCA
M29 - PTH093G50QRXXCA
M30 - PTH093G50QXXXCA