

PTC073G Package Terminal Air Conditioner

PTC073G25AXXXDA
PTC073G35AXXXDA
PTC073G35RVXXDA



Amana[®] is a registered trademark of Maytag Corporation or its related companies and is used under license. All rights reserved.

This manual is to be used by qualified technicians only.

This manual replaces RP-A5067.

© 2017 Goodman Company, L.P. ♦ 5151 San Felipe St, Suite 500 ♦ Houston, TX 77056

Important Information

Index

Functional Parts List	3
Illustration and Parts	4 - 13

Views shown are for parts illustrations only, not servicing procedures

Text Codes:

AR - As Required

NA - Not Available

NS - Not Shown

00000000 - See Note

QTY - Quantity Example (QTY 3) (If Quantity not shown, Quantity = 1)

M - Model Example (M1) (If M Code not shown, then part is used on all Models)

Expanded Model Nomenclature:

Example M1 - Model#1 M2 - Model#2 M3 - Model#3

Goodman Company, L.P. is not responsible for personal injury or property damage resulting from improper service. Review all service information before beginning repairs.

Warranty service must be performed by an authorized technician, using authorized factory parts. If service is required after the warranty expires, Goodman Company, L.P. also recommends contacting an authorized technician and using authorized factory parts.

Goodman Company, L.P. reserves the right to discontinue, or change at any time, specifications or designs without notice or without incurring obligations.

For assistance within the U.S.A. contact:

Homeowner Support
Goodman Company, L.P.
19001 Kermier Road
Waller, Texas 77484
877-254-4729-Telephone
713-863-2382-Facsimile

For assistance outside the U.S.A. contact:

International Division
Goodman Company, L.P.
19001 Kermier Road
Waller, Texas 77484
713-861-2500-Telephone
713-863-2382-Facsimile

Functional Parts

Part

No: **Description:**

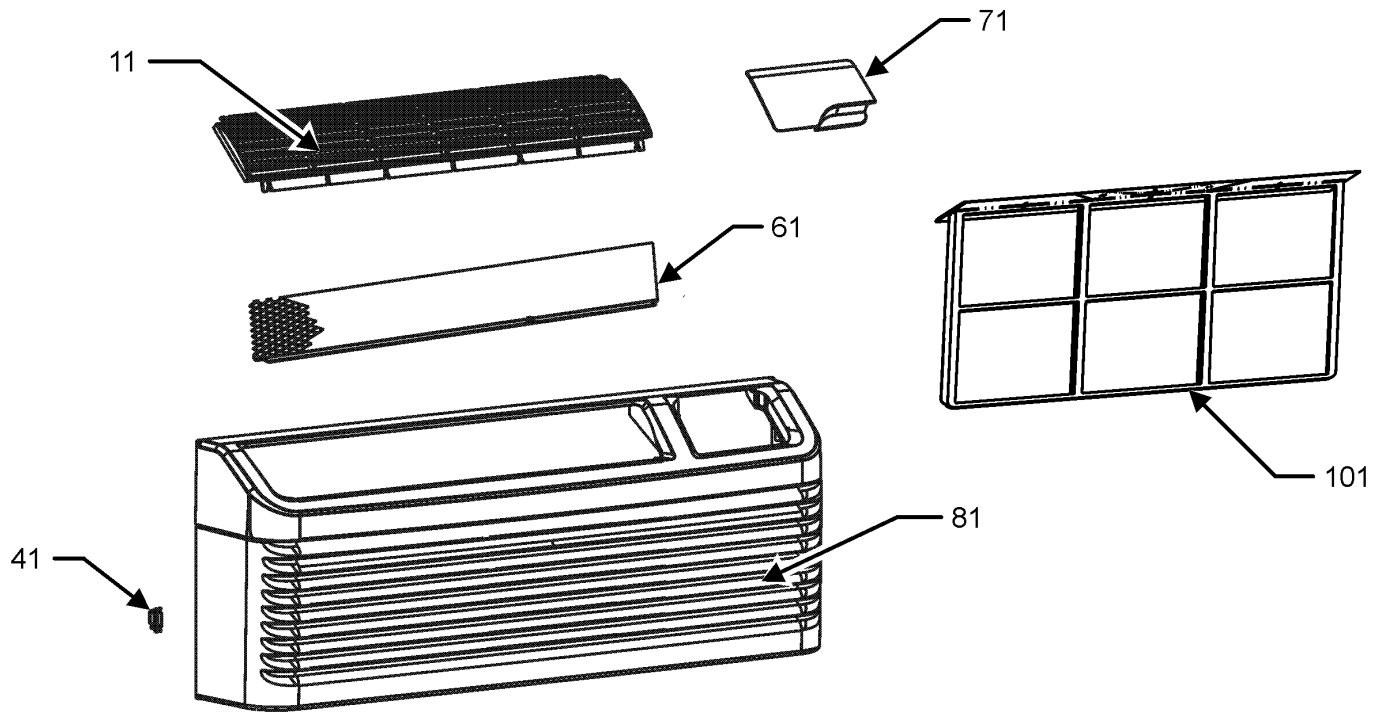
CAP020150450CS	CAP, 2/15 MFD/450V/DUAL RD
CAP020000440RP	CAPACITOR 2/440V
39B142GD&9BKZ	COMPRESSOR, RECHI
RSKP0012	CONTROL BOARD M70
0130P00112	CORD,250VAC,15A (LCD) (M1)
0130P00115	CORD,250VAC,20A (LCD) (M2, M3)
0131P00035	FAN MOTOR, INDOOR
0131P00033	FAN MOTOR, OUTDOOR
0161P00055	FAN, CONDENSER
0275P00038	HEATER ASSY (M2, M3)
0275P00019	HEATER ASSY (M1)
RSKP0015	MEMBRANE KIT
0130P00137	MOTOR (M3)
PCBCP140	PCB, CONTROL, D70 (M3)
0130M00169	SWITCH, HIGH PRESS
802007090	TERM BOARD
0130P00094	THERMISTOR (M3)
0130P00073	THERMISTOR
0130P00134	THERMISTOR - DISCHARGE
0130P00077	THERMISTOR - INDOOR (M3)
0130P00084	THERMISTOR - INDOOR COIL
0130P00098	THERMISTOR - OUTDOOR AMBIENT (M3)
0130M00329	TRANSFORMER 20VA 60HZ
0130M00149	TRANSFORMER 240V/208V TO 24V, 40VA (M3)

Expanded Model Nomenclature

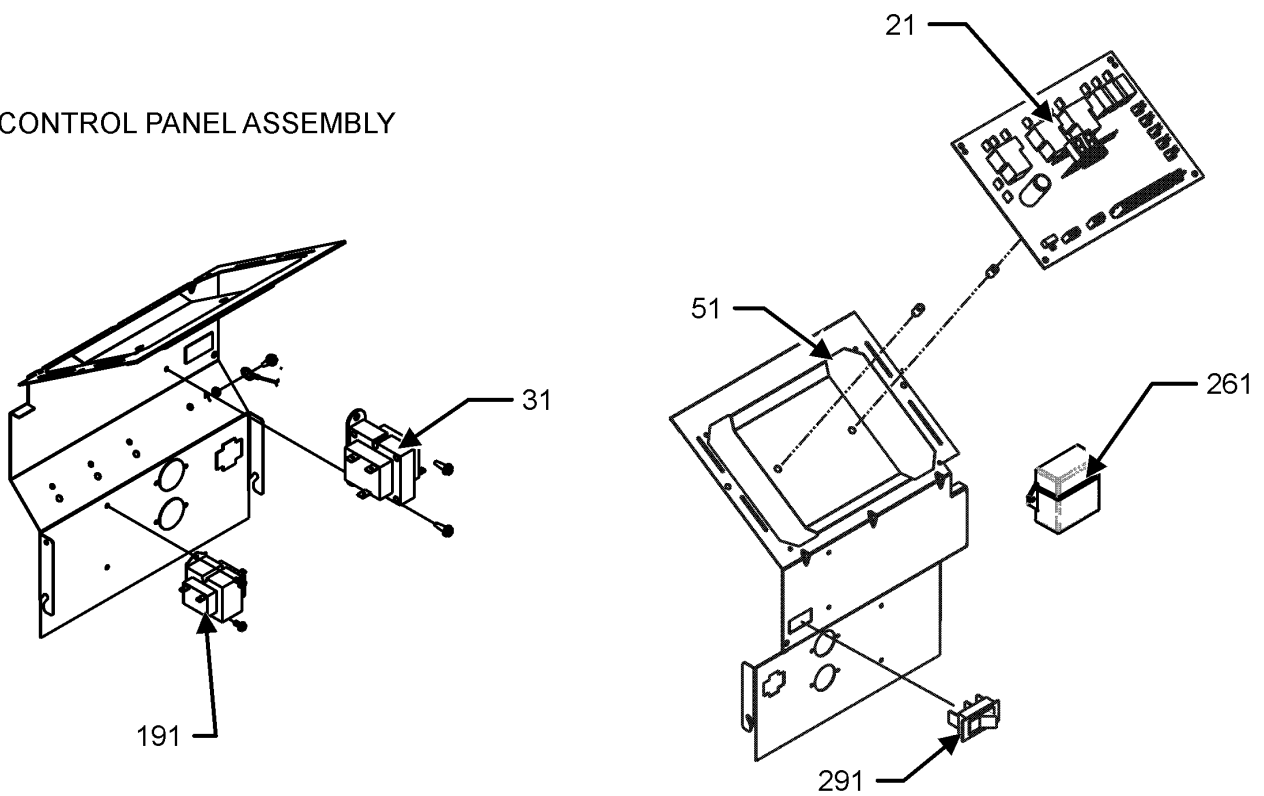
M1 - PTC073G25AXXXDA
M2 - PTC073G35AXXXDA
M3 - PTC073G35RVXXDA

Front Panel and Control Panel Assembly

FRONT PANEL ASSEMBLY



CONTROL PANEL ASSEMBLY



Front Panel and Control Panel Assembly

Ref. Part No:	No:	Description:	Ref. Part No:	No:	Description:
---------------	-----	--------------	---------------	-----	--------------

Image 1:

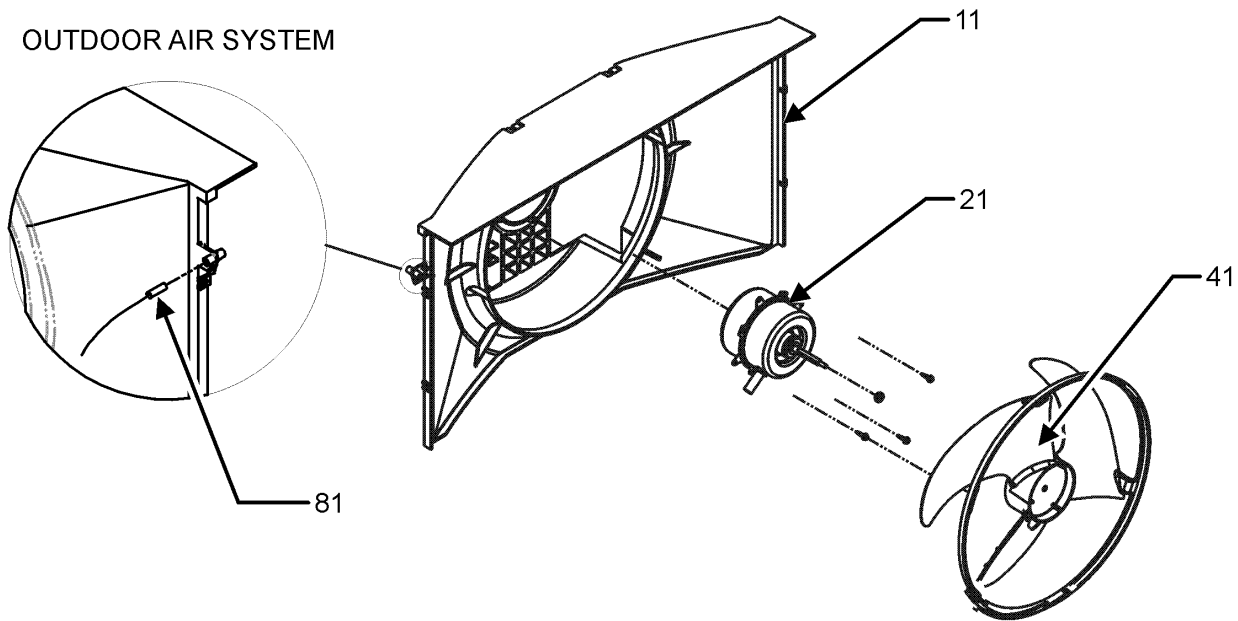
11	0161P00048	FRONT-DICHARGE LOUVERS
21	RSKP0012	CONTROL BOARD M70
31	0130M00329	TRANSFORMER 20VA 60HZ
41	0163P00025	CLIP (QTY 2)
51	0121P00130	PANEL, CONTROL
61	0121P00194BL	SCREEN, DISCHARGE, PAINTED
71	0261P00003	DOOR ASSY -AMANA-
81	0261P00011	FRONT ASSY
101	0161P00035	FILTER, RACK (QTY 2)
191	0130M00149	TRANSFORMER 240V/208V TO 24V, 40VA (M3)
261	0130P00104	ANTENNA (DIGITENNA) (M3)
291	B1337701	PADDLE SWITCH (M3)
NS	PCBCP140	PCB, CONTROL, D70 (M3)

Expanded Model Nomenclature

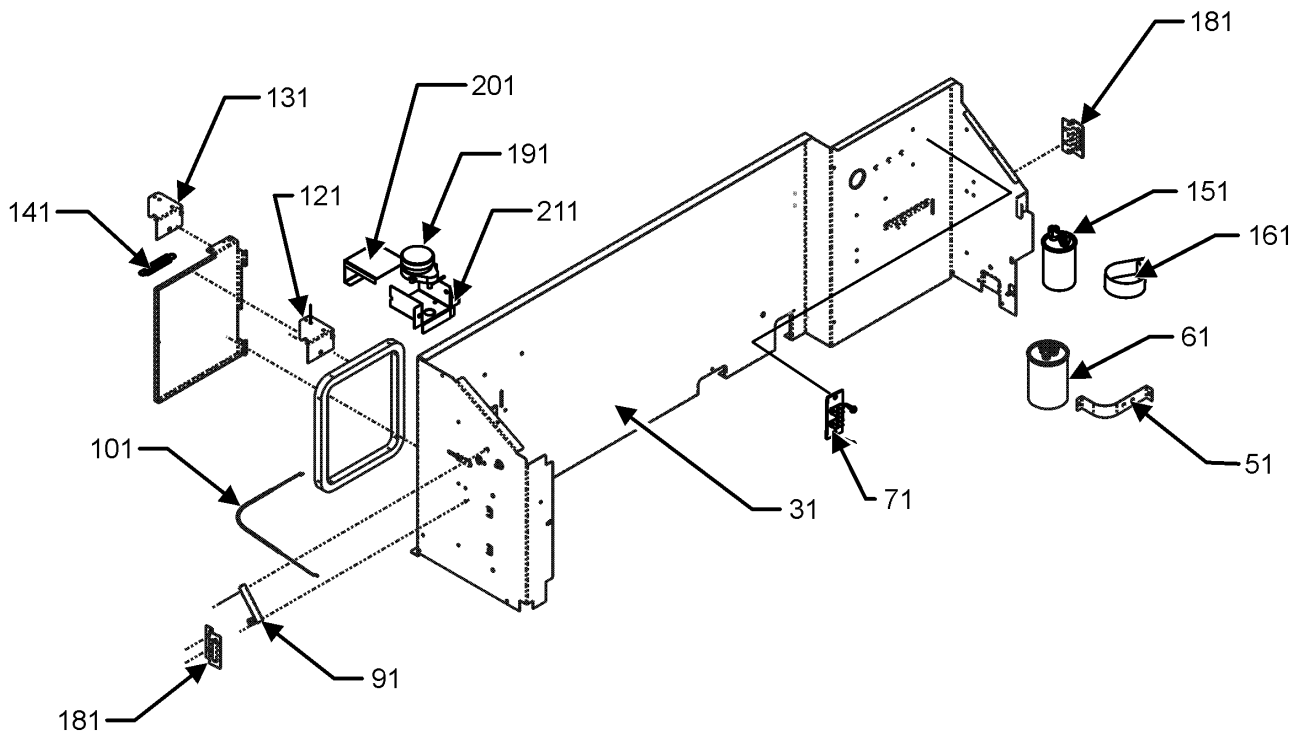
M1 - PTC073G25AXXXDA
M2 - PTC073G35AXXXDA
M3 - PTC073G35RVXXDA

Outdoor Air System and Partition Panel

OUTDOOR AIR SYSTEM



PARTITION PANEL ASSEMBLY



Outdoor Air System and Partition Panel

Ref. Part No: No:	Description:	Ref. Part No: No:	Description:
Image 1:			
11	0161P00053		SHROUD, CONDENSOR
21	0131P00033		FAN MOTOR, OUTDOOR
31	0121P00108		PANEL-PARTITION
41	0161P00055		FAN, CONDENSER
51	C6300502		CAPACITOR STRAP
61	CAP020150450CS		CAP, 2/15 MFD/450V/DUAL RD
71	802007090		TERM BOARD
81	0130P00098		THERMISTOR - OUTDOOR AMBIENT (M3)
91	11046302		LEVER ARM (M1, M2)
101	0163P00019		CABLE (M1, M2)
111	0121P00177		DOOR-VENT PTC
121	0121P00079		BRACKET, VENT DOOR (M3)
131	0121P00180		BRACKET, POWER VENT (M3)
131	0121P00072		BRACKET, VENT DOOR (M1, M2)
141	11166401		EXTENSION SPRING (M3)
151	CAP020000440RP		CAPACITOR 2/440V
161	0163P00029		CAPACITOR CLAMP
181	11191703		PARTITION PANEL BRACKET (QTY 2)
191	0130P00137		MOTOR (M3)
201	11166201		POWER VENT COVER BRACKET (M3)
211	11166101		POWER VENT MOTOR BRACKET (M3)

Expanded Model Nomenclature

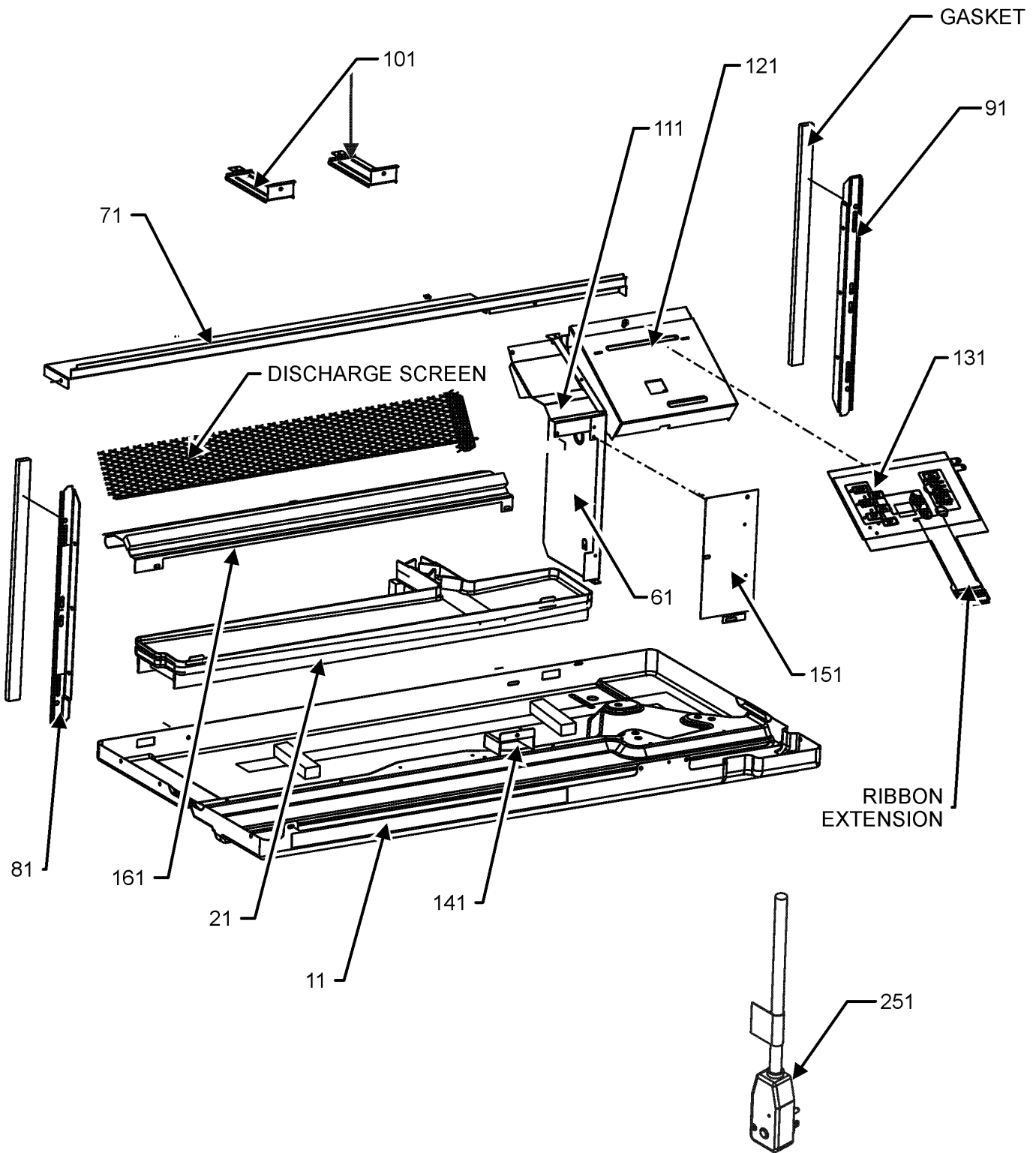
M1 - PTC073G25AXXXDA

M2 - PTC073G35AXXXDA

M3 - PTC073G35RVXXDA

Base Pan Assembly

BASE PAN ASSEMBLY



Base Pan Assembly

**Ref. Part
No: No:**

Description:

**Ref. Part
No: No:**

Description:

Image 1:

11	0121P00175DG	BASE PAN
21	0161P00044	PLASTIC-DRAIN PAN
61	20403301	MID PARTITION PANEL
71	0121P00063	TOP, PARTITION PANEL
81	0121P00197	SEAL-L SIDE PTC
91	0121P00198	SEAL-R SIDE PTC
101	0121P00071	BRACE, TIE (QTY 2)
111	0121P00070DG	COVER, MOTOR
121	0121P00129	COVER-CONTROL PANEL
131	RSKP0015	MEMBRANE KIT
141	0161P00016	PLASTIC-HOOD
151	20410801	ACCESS COVER
161	0121P00061DG	CUTOFF-SCROLL DG
251	0130P00112	CORD,250VAC,15A (LCD) (M1)
251	0130P00115	CORD,250VAC,20A (LCD) (M2, M3)
NS	0130P00109	MEMBRANE (CONTROL)

Expanded Model Nomenclature

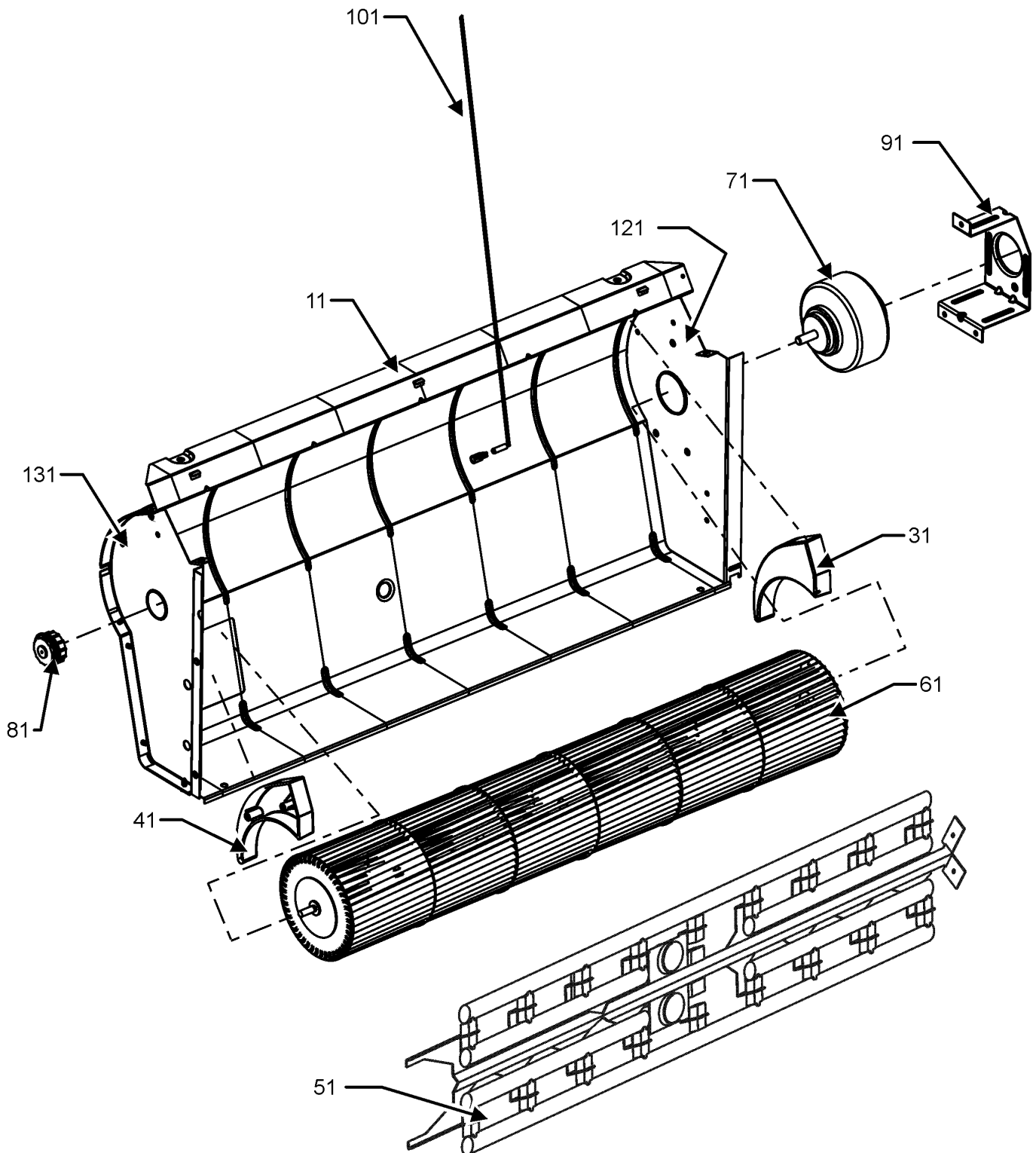
M1 - PTC073G25AXXXDA

M2 - PTC073G35AXXXDA

M3 - PTC073G35RVXXDA

Indoor Blower Assembly

INDOOR BLOWER ASSEMBLY



Indoor Blower Assembly

Ref. Part No:	No:	Description:	Ref. Part No:	No:	Description:
---------------	-----	--------------	---------------	-----	--------------

Image 1:

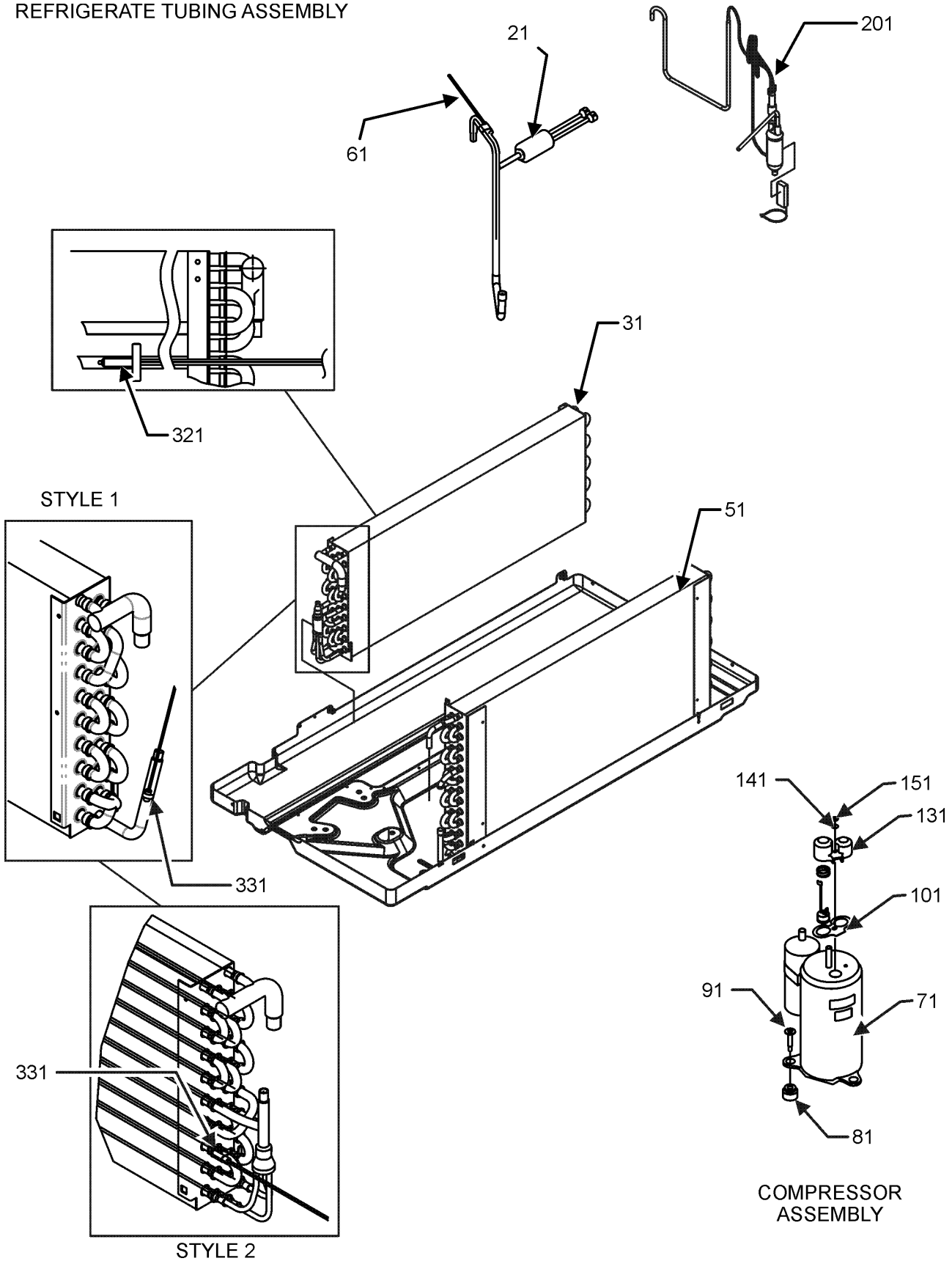
11	0121P00173DG	SCROLL
31	0161P00021	END CAP, RIGHT
41	0161P00022	END CAP, LEFT
51	0275P00019	HEATER ASSY (M1)
51	0275P00038	HEATER ASSY (M2, M3)
61	0150P00004	WHEEL, BLOWER
71	0131P00035	FAN MOTOR, INDOOR
81	0163P00027	BEARING
91	0121P00048	BRACKET-MOTOR MOUNT
101	0130P00134	THERMISTOR - DISCHARGE
121	0121P00059DG	ENDPLATE-RH SCROLL
131	0121P00215DG	ENDPLATE- LH SCROLL

Expanded Model Nomenclature

M1 - PTC073G25AXXXDA
M2 - PTC073G35AXXXDA
M3 - PTC073G35RVXXDA

Refrigerate Tube Assembly

REFRIGERATE TUBING ASSEMBLY



Refrigerate Tube Assembly

Ref. Part No:	No:	Description:	Ref. Part No:	No:	Description:
---------------	-----	--------------	---------------	-----	--------------

Image 1:

21	0130M00169	SWITCH, HIGH PRESS
31	0202P00067	EVAP ASSY, 3/8, 2 ROW
51	0201P00094	5MM CONDENSER COIL ASSY
61	0130P00077	THERMISTOR - INDOOR (M3)
71	39B142GD&9BKZ	COMPRESSOR, RECHI
81	60130203	GROMMET - RECHI COMPRESSOR (QTY 3)
91	0163M00079	SHOULDER SCREW (QTY 3)
101	60100107	TERMINAL COVER GASKET
131	60100317	TERMINAL COVER
141	60100201	WASHER - RECHI COMPRESSOR
151	60100401	TERMINAL NUT - RECHI COMP
201	0210P00390	CAPILLARY WELDMENT
311	0130P00094	THERMISTOR (M3)
321	0130P00073	THERMISTOR
331	0130P00084	THERMISTOR - INDOOR COIL

Expanded Model Nomenclature

M1 - PTC073G25AXXXDA

M2 - PTC073G35AXXXDA

M3 - PTC073G35RVXXDA