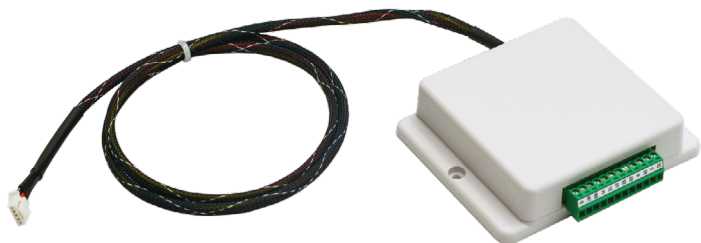


Job Name:

System Reference:

Date:



**TERMINALS:**

| Connector | Purpose      | Purpose          |
|-----------|--------------|------------------|
| TC        | Common (In)  | To Transformer   |
| C         | Common (Out) | To Thermostat    |
| TR        | 24VAC (In)   | To Transformer   |
| R         | 24VAC (Out)  | To Thermostat    |
| G3        | Fan High     | High Fan Speed   |
| G2        | Fan Medium   | Medium Fan Speed |
| G1        | Fan Low      | Low Fan Speed    |
| Y2        | Y2           | Stage 2 Cooling  |
| Y1        | Y1           | Stage 1 Cooling  |
| W2        | W2           | Stage 2 Heating  |
| W1        | W1           | Stage 1 Heating  |
| G         | G            | Fan              |

**SPECIFICATIONS:**

- Allows a HVAC Thermostat or I/O Controller to control a Mitsubishi Electric CITY MULTI®, M-Series or P-Series indoor unit.
- One Thermostat Interface per indoor unit
- Indoor unit modes: Cool, Heat, Fan, and Off
- Provides 3 input terminals to control fan speed control:
  - High
  - Medium
  - Low
- Addressing: No addressing required
- Connection: CN105 - IT Terminal
- Thermostats Tested:
  - Nest®
  - Honeywell®
  - Lyric®
  - INNCOM® with fan speed control
- Dimensions: (H x W x D) 3.96 in x 3.17 in x 0.93 in
- Terminal Block: 20-30 VAC Rated

**REQUIREMENTS:**

- Compatible Mitsubishi Electric indoor unit
  - See compatibility chart on page 3
- VAC Thermostat or I/O Controller (field supplied)
- 24VAC circuit for HVAC Thermostat (field supplied)

**ADVANCED FEATURES:**

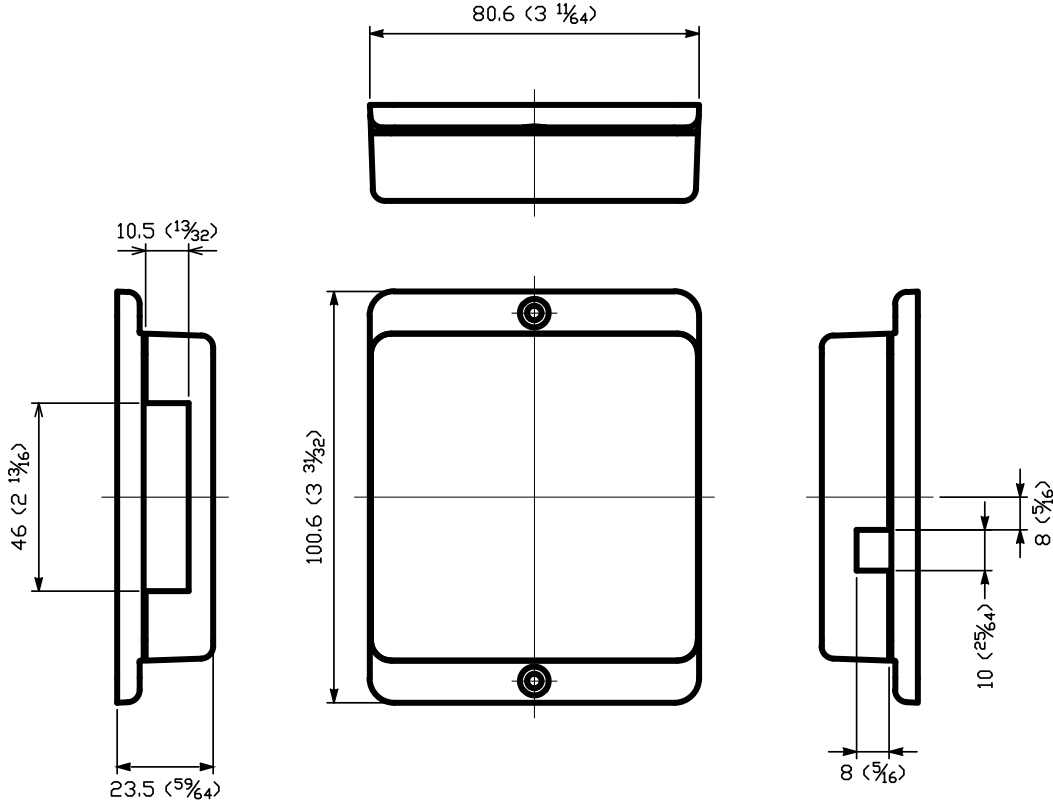
- Delayed Off Adjustable Setting
  - 0, 5 (default), 10, or 30 minutes
- Fan Speed
  - Auto (Default, more efficient than Custom Auto)
  - Medium
  - High
  - Custom Auto (more comfortable than Auto)
- Static Pressure Adjustable Setting
- Set Fan & CN24 operation during Defrost
- Set fan speed in thermal off for heating mode
- INVERTER operation settings:
  - Optimized variable capacity (Preferred)
    - Conventional 2H/2C thermostat
- Auto recovery after power failure

**ACCESSORIES:**

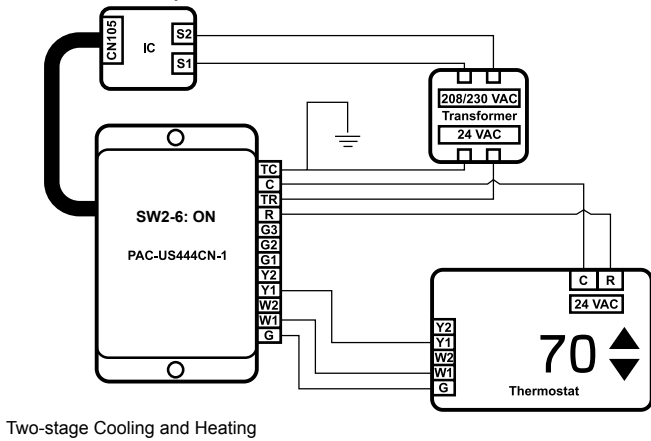
Transformer (VPL24-210)

# PAC-US444CN-1: DIMENSIONS AND WIRING DIAGRAMS

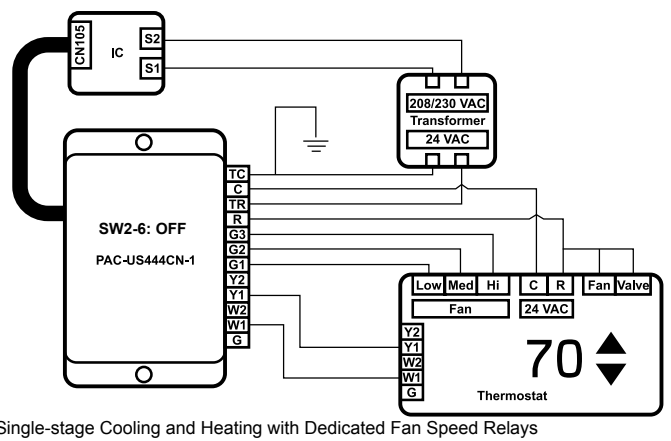
## DIMENSIONS:



## WIRING DIAGRAMS:



Two-stage Cooling and Heating



Single-stage Cooling and Heating with Dedicated Fan Speed Relays

# PAC-US444CN-1: COMPATIBILITY CHART

**PAC-US444CN-1 (THERMOSTAT INTERFACE) MUST BE ORDERED SEPARATELY**

| CITYMULTI® |                                                    |            |                                                         |           |                                         |
|------------|----------------------------------------------------|------------|---------------------------------------------------------|-----------|-----------------------------------------|
| PMFY-NMBU  | (E) NO<br>(ER5) OK<br>(After April 2012)           | PLFY- NBMU | (E) NO<br>(ER2) OK<br>(After April 2012)                | PVFY-E00  | (A) OK<br>(B) OK<br>(After April 2012)  |
| PEFY-NMU   | (NMU-E) NO<br>(After April 2012)                   | PLFY- NCMU | (E) NO<br>(ER4) OK<br>(After June 2012)                 | PVFY-NAMU | (E) OK<br>(After April 2012)            |
| PEFY-NMAU  | (E) NO<br>(E2) OK<br>(E3) OK<br>(After April 2012) | PLFY- NLMU | (E) NO                                                  | PKFY-NAMU | (E) NO                                  |
| PEFY-NMHSU | (E) OK<br>(After April 2012)                       | PCFY- VKM  | NO                                                      | PKFY-NFMU | (E) NO                                  |
| PEFY-NMHU  | (E) OK<br>(E2) OK<br>(After April 2012)            | PCFY- NGMU | (E) NO                                                  | PKFY-NGMU | (E) NO                                  |
| PEFY-NMLU  | (E) NO                                             | PCFY- NKMU | (E) NO<br>(E.TH) NO<br>(ER1.TH) OK<br>(After June 2012) | PKFY-NBMU | (E) NO<br>(E2) OK<br>(After April 2012) |
| PEFY-NMSU  | (E) NO<br>(ER2) OK<br>(After June 2012)            | PFFY-NEMU  | (E) OK<br>(After April 2012)                            | PKFY-NHMU | (E) NO<br>(E2) OK<br>(After May 2012)   |
| PLFY- NAMU | (E) NO                                             | PFFY-NRMU  | (E) OK<br>(After April 2012)                            | PKFY-NKMU | (E) NO<br>(E2) OK<br>(After June 2012)  |
| PLFY-NEMU  | OK                                                 |            |                                                         |           |                                         |

| M-Series |                                                                                  |
|----------|----------------------------------------------------------------------------------|
| MFZ-KA   | OK                                                                               |
| MSZ/Y-A  | NO                                                                               |
| MSZ/Y-D  | (NA) NO<br>(NA-8) OK                                                             |
| MS-WA    | NO                                                                               |
| MSZ-FD   | NO                                                                               |
| MSZ-FE   | 09, 12 (NA) NO<br>09, 12 (NA-8) OK<br>18 (NA) OK                                 |
| MSZ-GE   | 06 (NA) NO<br>06 (NA-8) OK<br>06 (NA-9) OK                                       |
| MSZ/Y-GE | 09, 12, 18 (NA) NO<br>09, 12, 18 (NA-8) OK<br>09, 12, 18 (NA-9) OK<br>24 (NA) OK |
| MSZ-FH   | OK                                                                               |
| MSZ-HE   | NO                                                                               |
| MVZ-AA4  | OK                                                                               |
| SEZ-KD   | (NA) NO<br>(NA4) OK                                                              |
| SLZ-KA   | OK                                                                               |
| MSZ/Y-GL | OK                                                                               |
| SVZ-KP   | OK                                                                               |
| MLZ-KP   | OK                                                                               |

| P-Series |                                                                                           |
|----------|-------------------------------------------------------------------------------------------|
| PCA      | (GA) NO<br>(KA) NO<br>(KA4) OK<br>(KA4.TH) OK<br>(KA6) OK<br>(A7) OK                      |
| PEA      | (AA) NO<br>(AA4) OK<br>(AA4R1.TH) OK                                                      |
| PEAD     | (AA) NO<br>(AA4) OK<br>(AA5) OK<br>(AA7) OK                                               |
| PKA      | (HA) NO<br>(HAL) NO<br>(HA4) OK<br>(HA6) OK<br>(KA) NO<br>(KA4) OK<br>(KA6) OK<br>(A7) OK |
| PLA      | (AA) NO<br>(BA) NO<br>(BA-1) NO<br>(BA4) OK<br>(BA6) OK<br>(A7) OK<br>(EA) OK             |
| PVA      | (AA4) OK<br>(AA7) OK                                                                      |



**COOLING & HEATING**

1340 Satellite Boulevard, Suwanee, GA 30024  
Toll Free: 800-433-4822 www.mehvac.com