

Air-Conditioners Indispensable Optional Parts BRANCH BOX

PAC-MKA51BC

ONLY FOR R410A OUTDOOR UNIT

PAC-MKA31BC

ONLY FOR INDOOR USE



INSTALLATION MANUAL

For safe and correct use, please read this installation manual thoroughly before installing the air-conditioner unit.

FOR INSTALLER

MANUEL D'INSTALLATION

Veillez lire le manuel d'installation en entier avant d'installer ce climatiseur pour éviter tout accident et vous assurer d'une utilisation correcte.

POUR L'INSTALLATEUR

MANUAL DE INSTALACIÓN

Para un uso seguro y correcto, lea detalladamente este manual de instalación antes de montar la unidad de aire acondicionado.

PARA EL INSTALADOR

English

Français

Español

Contents

1. Safety precautions	2	6. Mounting the Branch Box	7
2. Selecting a location for installation	2	7. Installing refrigerant piping	7
3. Confirming supplied accessories	3	8. Electrical work	9
4. Dimensions and required servicing space of Branch Box	3	9. Test run	13
5. Refrigerant piping	6		

This installation manual is only for the branch box installation. In installing the indoor units and outdoor units, refer to the installation manual attached to each unit.

1. Safety precautions

- ▶ Before installing the unit, make sure you read all the “Safety precautions”.
- ▶ Please report to or take consent by the supply authority before connection to the system.

⚠ Warning:

Describes precautions that must be observed to prevent danger of injury or death to the user.

⚠ Caution:

Describes precautions that must be observed to prevent damage to the unit.

⚠ Warning:

- Ask a dealer or an authorized technician to install the unit.
- For installation work, follow the instructions in the Installation Manual and use tools and pipe components specifically made for use with refrigerant specified in the outdoor unit installation manual.
- The unit must be installed according to the instructions in order to minimize the risk of damage from earthquakes, typhoons, or strong winds. An incorrectly installed unit may fall down and cause damage or injuries.
- The unit must be securely installed on a structure that can sustain its weight.
- If the air conditioner is installed in a small room, measures must be taken to prevent the refrigerant concentration in the room from exceeding the safety limit in the event of refrigerant leakage. Should the refrigerant leak and cause the concentration limit to be exceeded, hazards due to lack of oxygen in the room may result.
- Ventilate the room if refrigerant leaks during operation. If refrigerant comes into contact with a flame, poisonous gases will be released.
- All electric work must be performed by a qualified technician according to local regulations and the instructions given in this manual.
- Use only specified cables for wiring.
- The terminal block cover panel of the unit must be firmly attached.
- Use only accessories authorized by Mitsubishi Electric and ask a dealer or an authorized technician to install them.
- The user should never attempt to repair the unit or transfer it to another location.
- After installation has been completed, check for refrigerant leaks. If refrigerant leaks into the room and comes into contact with the flame of a heater or portable cooking range, poisonous gases will be released.
- Be sure to connect the power supply cords and the connecting wires for the indoor units, outdoor units, and branch boxes directly to the units (no intermediate connections).
Intermediate connections can lead to communication errors if water enters the cords or wires and causes insufficient insulation to ground or a poor electrical contact at the intermediate connection point.
(If an intermediate connection is necessary, be sure to take measures to prevent water from entering the cords and wires.)

After installation work has been completed, explain the “Safety Precautions,” use, and maintenance of the unit to the customer according to the information in the Operation Manual and perform the test run to ensure normal operation. Both the Installation Manual and Operation Manual must be given to the user for keeping. These manuals must be passed on to subsequent users.

⚡ : Indicates a part which must be grounded.

⚠ Warning:

Carefully read the labels affixed to the main unit.

⚠ Caution:

- Make sure that the refrigerant pipes are well insulated to prevent condensation.
Incomplete insulation may cause condensation on the surface of pipes, wetting of the ceiling, floor and other important properties.
- Do not use the unit in an unusual environment. If the air conditioner is installed in areas exposed to steam, volatile oil (including machine oil), or sulfuric gas, areas exposed to high salt content such as the seaside, the performance can be significantly reduced and the internal parts can be damaged.
- Do not install the unit where combustible gases may leak, be produced, flow, or accumulate. If combustible gas accumulates around the unit, fire or explosion may result.
- When installing the unit in a hospital or communications office, be prepared for noise and electronic interference. Inverters, home appliances, high-frequency medical equipment, and radio communications equipment can cause the air conditioner to malfunction or breakdown. The air conditioner may also affect medical equipment, disturbing medical care, and communications equipment, harming the screen display quality.
- Thermal insulation of the refrigerant pipe is necessary to prevent condensation. If the refrigerant pipe is not properly insulated, condensation will be formed.
- Place thermal insulation on the pipes to prevent condensation. If the drain-pipe is installed incorrectly, water leakage and damage to the ceiling, floor, furniture, or other possessions may result.
- Do not clean the air conditioner unit with water. Electric shock may result.
- Tighten all flare nuts to specification using a torque wrench. If tightened too much, the flare nut can break after an extended period.
- Be sure to install circuit breakers, if not installed, electric shock may result.
- For the power lines, use standard cables of sufficient capacity. Otherwise, a short circuit, overheating, or fire may result.
- When installing the power lines, do not apply tension to the cables. If the connections are loosened, the cables can snap or break and overheating or fire may result.
- Do not connect the ground wire to gas or water pipes, lighting rods, or telephone grounding lines. If the unit is not properly grounded, electric shock may result.
- Do not turn off the breaker of M-NET Branch Box when installing the unit below -4°F, otherwise it may result in communication failure.

2. Selecting a location for installation

* The branch box is only indoor use.
Please attach the special optional cover (PAC-AK350CVR-E) to install the branch box in the outdoors.

- Ensure that the branch box is installed in a location which facilitates servicing and maintenance. (ensure that the required maintenance hole or service space is available).

- Ensure that the branch box is installed above the ceiling of corridor, bath room, etc., where persons are not regularly there.
Do not install near bed rooms, living rooms, etc. The sound of refrigerant flowing through the piping may sometimes be audible.
Also, do not install where maintenance cannot be carried out.
- Ensure that it is located where noise in operation will not be a problem.
After power is supplied or after an operation stop for a while, a small clicking noise may be heard from the inside of the branch box. The electronic expansion valve is opening and closing. The unit is not faulty.

- Determine the route of refrigerant piping, and electrical wiring beforehand.
- Ensure that the location of the installation is such that the length of refrigerant piping is within the specified limits.

• Do not install in location that is hot or humid for long periods of time.

* Ensure that the unit is installed in a location able to support its weight.

⚠ Warning:

Ensure that the unit is installed firmly in a location able to support its weight. If the installation is of insufficient strength the unit may fall, resulting in injury.

3. Confirming supplied accessories

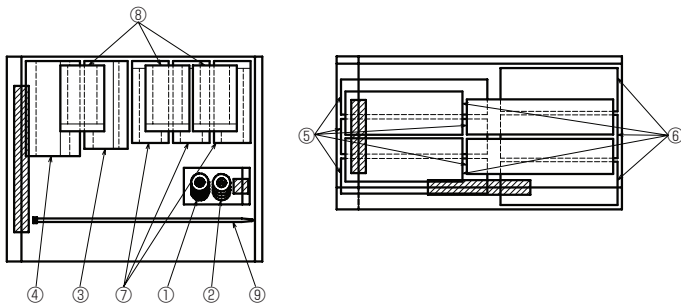


Fig. 3-1

3.1. Check the Branch Box accessories and parts

No.	Accessory name	Q'ty		Remarks
		PAC-MKA31BC	PAC-MKA51BC	
①	Washer (with insulation)	4	4	
②	Washer	4	4	
③	Pipe cover (Liquid)	1	1	To outdoor unit
④	Pipe cover (Gas)	1	1	To outdoor unit
⑤	Pipe cover (Liquid)	3	5	To indoor units
⑥	Pipe cover (Gas)	3	5	To indoor units
⑦	Joint cover (Liquid)	1	3	
⑧	Joint cover (Gas)	1	3	
⑨	Band	16	24	
⑩	Conduit plate	1	1	Fastened to the main body and shipped.

4. Dimensions and required servicing space of Branch Box

Optional different-diameter (deformed) joints

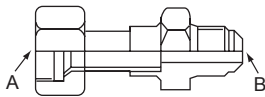


Fig. 4-1

Model name	Connected pipes diameter	Diameter A	Diameter B
	inch, mm	inch, mm	inch, mm
MAC-A454JP	3/8, $\phi 9.52 \rightarrow 1/2, \phi 12.7$	3/8, $\phi 9.52$	1/2, $\phi 12.7$
MAC-A455JP	1/2, $\phi 12.7 \rightarrow 3/8, \phi 9.52$	1/2, $\phi 12.7$	3/8, $\phi 9.52$
MAC-A456JP	1/2, $\phi 12.7 \rightarrow 5/8, \phi 15.88$	1/2, $\phi 12.7$	5/8, $\phi 15.88$
PAC-493PI	1/4, $\phi 6.35 \rightarrow 3/8, \phi 9.52$	1/4, $\phi 6.35$	3/8, $\phi 9.52$
PAC-SG76RJ-E	3/8, $\phi 9.52 \rightarrow 5/8, \phi 15.88$	3/8, $\phi 9.52$	5/8, $\phi 15.88$
PAC-SG75RJ-E	5/8, $\phi 15.88 \rightarrow 3/4, \phi 19.05$	5/8, $\phi 15.88$	3/4, $\phi 19.05$

- * Please connect 2 indoor units or more with 1 system.
- * Up to 2 branch boxes may be connected to 1 outdoor unit.
- * Suspension bolt : W3/8 (M10)
- * Refrigerant pipe flared connection

* The piping connection size differs according to the type and capacity of indoor units. Match the piping connection size for indoor unit and branch box. If the piping connection size of branch box does not match the piping connection size of indoor unit, use optional different-diameter (deformed) joints to the branch box side. (Connect deformed joint directly to the branch box side.)

- Ⓐ Suspension bolt pitch
- Ⓑ To indoor unit
- Ⓒ To outdoor unit
- Ⓓ Service panel
- Ⓔ Electric cover
- Ⓕ Conduit plate
- Ⓖ Terminal block (to indoor unit on control board)
- Ⓗ Terminal block (to outdoor unit)
- Ⓙ Terminal block (for communication cable)

■ PAC-MKA51BC (5-branches type)

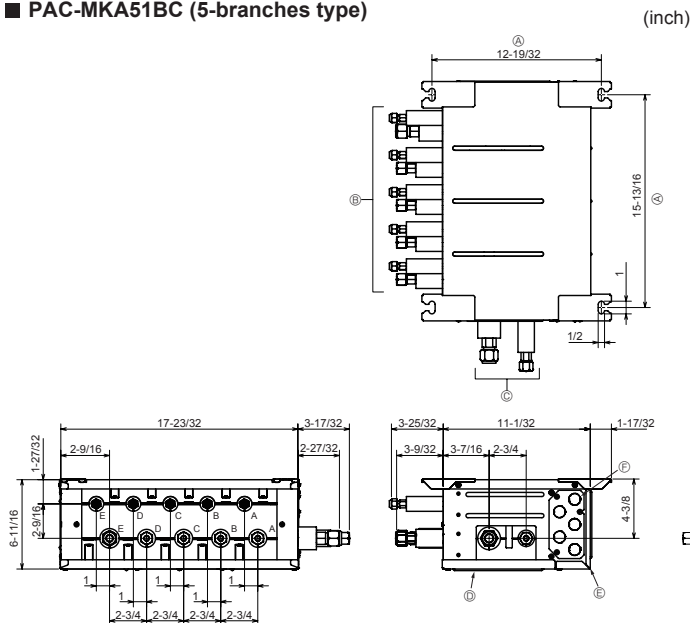


Fig. 4-2

■ PAC-MKA51BC (Fig.4-2)

Suspension bolt: W3/8 (M10)

Refrigerant pipe flared connection

inch, mm

	To indoor unit					To outdoor unit
	A	B	C	D	E	
Liquid pipe	1/4, $\phi 6.35$	1/4, $\phi 6.35$	1/4, $\phi 6.35$	1/4, $\phi 6.35$	1/4, $\phi 6.35$	3/8, $\phi 9.52$
Gas pipe	3/8, $\phi 9.52$	3/8, $\phi 9.52$	3/8, $\phi 9.52$	3/8, $\phi 9.52$	1/2, $\phi 12.7$	5/8, $\phi 15.88$

Conversion formula

1/4 F	$\phi 6.35$
3/8 F	$\phi 9.52$
1/2 F	$\phi 12.7$
5/8 F	$\phi 15.88$
3/4 F	$\phi 19.05$

4. Dimensions and required servicing space of Branch Box

■ PAC-MKA31BC (3-branches type)

(inch)

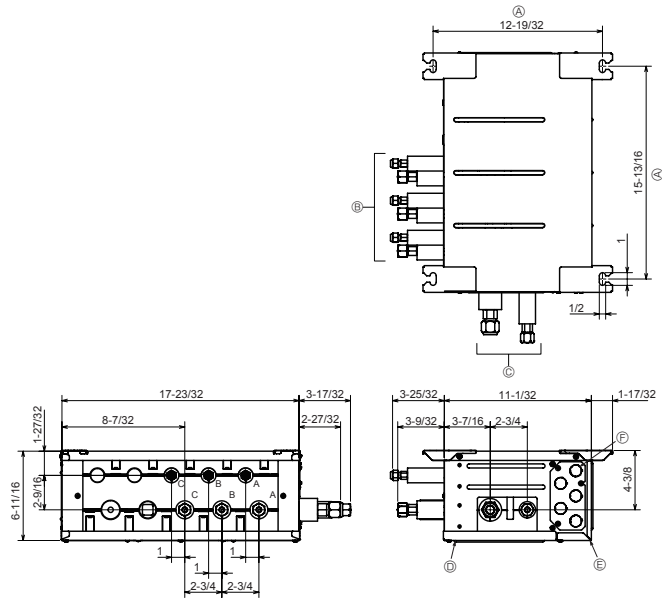


Fig. 4-3

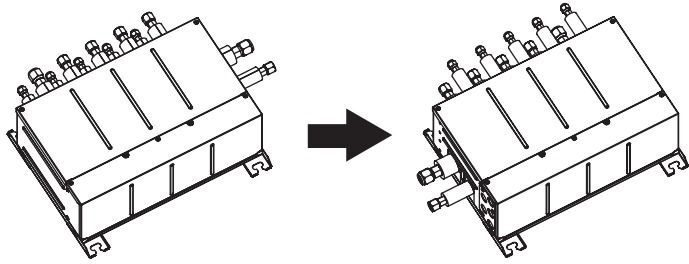


Fig. 4-4

① Remove the screws in each part.

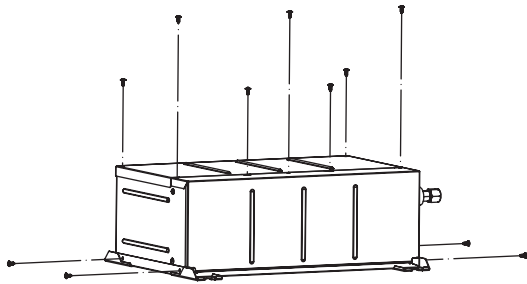


Fig. 4-5

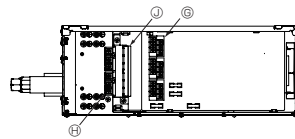
■ PAC-MKA31BC (Fig.4-3)

Suspension bolt: W3/8 (M10)

Refrigerant pipe flared connection

inch, mm

	To indoor unit			To outdoor unit
	A	B	C	
Liquid pipe	1/4, ø6.35	1/4, ø6.35	1/4, ø6.35	3/8, ø9.52
Gas pipe	3/8, ø9.52	3/8, ø9.52	3/8, ø9.52	5/8, ø15.88



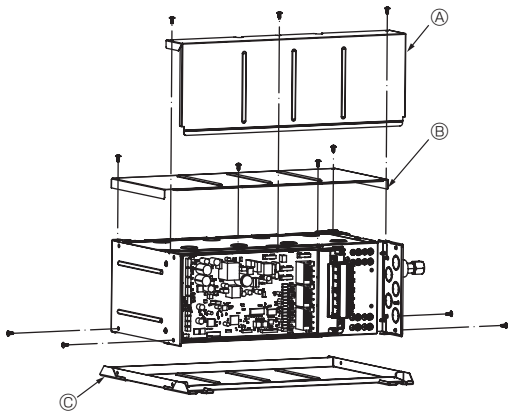
4.1. The direction of the piping can be changed.
(Fig. 4-4).

4.2. Piping direction change work procedures
(Fig.4-5 ①~⑧)

4. Dimensions and required servicing space of Branch Box

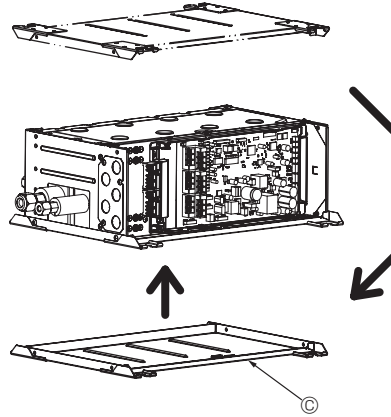
② Remove the electric cover, service panel, and top panel.

- Ⓐ Electric cover
- Ⓑ Service panel
- Ⓒ Top panel

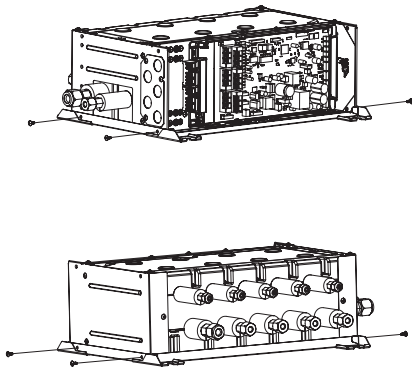


③ Install the top panel on the opposite surface.

- Ⓒ Top panel

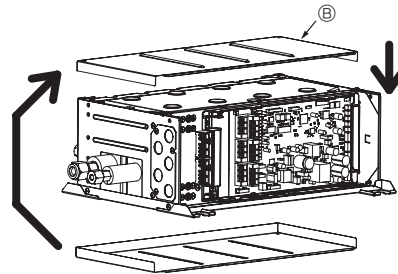


④ Fasten the screws in each part.

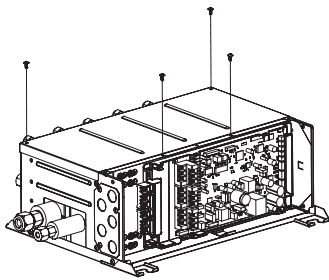


⑤ Install the service panel on the opposite surface.

- Ⓑ Service panel

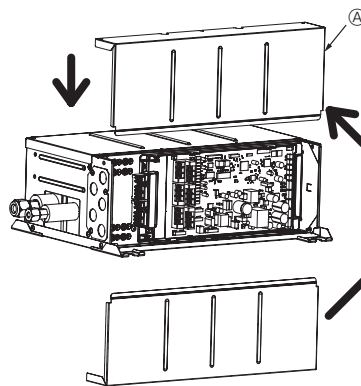


⑥ Fasten the screws in each part.



⑦ Install the electric cover on the opposite surface.

- Ⓐ Electric cover



⑧ Fasten the screws in each part.

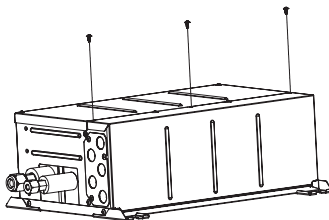


Fig. 4-5

4. Dimensions and required servicing space of Branch Box

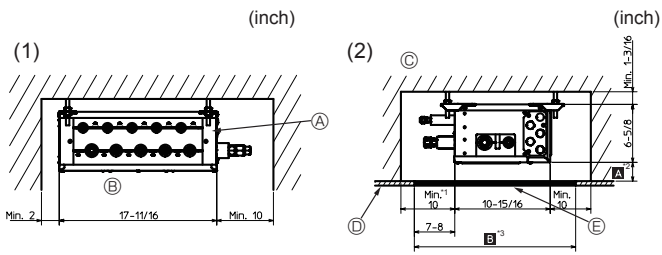


Fig. 4-6

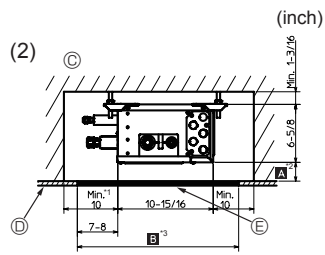


Fig. 4-7

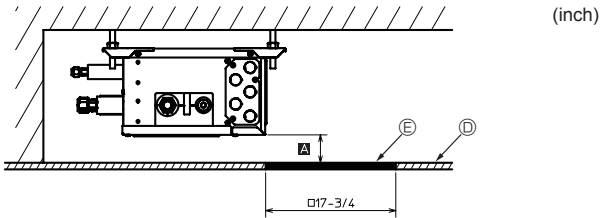


Fig. 4-8

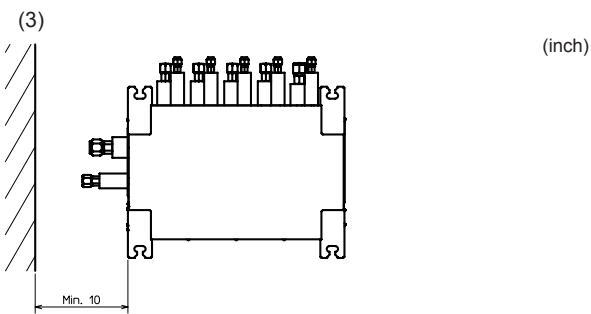


Fig. 4-9

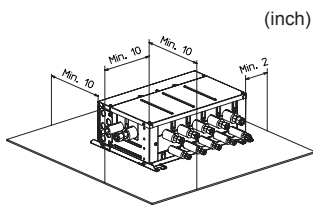


Fig. 4-10

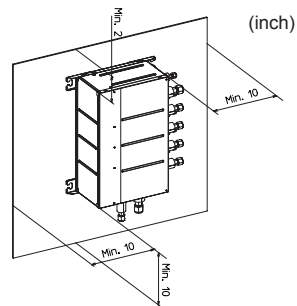


Fig. 4-11

4.3. Space required for installation and servicing

I. The space when installing with the suspension bolts.

- (1) Front View (Fig. 4-6)
 - Ⓐ Branch box
 - Ⓑ On the side of piping
- (2) Side View (Fig. 4-7, Fig. 4-8)
 - Ⓒ For indoor installations
 - Ⓓ Ceiling board
 - Ⓔ Maintenance hole

*1: Minimum 13-3/8 inch (350 mm) is required for 90° bends in refrigerant piping.

*2: Ⓐ is "Min. 7-7/8 inch (200 mm)" <recommendation>.

In the case of less than 7-7/8 inch (200 mm) (for example Ⓐ is 4 inch (100 mm)), the exchange work of Branch box from a maintenance hole becomes difficult (Only exchange work of a PCB, linear expansion valve coils and sensors are possible).

*3: Ⓑ is "□ 17-3/4 inch (450 mm)" <recommendation>.

In the case of "□ 17-3/4 inch (450 mm)", prepare a maintenance hole at a PCB side (as it is shown in Fig. 4-8), and "Min. 11-13/16 inch (300 mm)" is needed as distance Ⓐ.

In the case of less than 11-13/16 inch (300 mm) (for example Ⓐ is 4 inch (100 mm)), the exchange work of Branch box, linear expansion valve coils and sensors from a maintenance hole becomes difficult (Only exchange work of a PCB is possible).

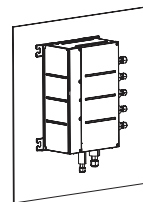
- (3) Top View (Fig. 4-9)

II. The space when installing on the floor. (Fig. 4-10)

III. The space when installing on a wall. (Fig. 4-11)

⚠ Warning:

The installation direction is limited when installing on a wall. (Fig 4-12)



Correct installation direction

When installing the unit on the wall, install the piping connected to the outdoor unit facing down. Other ways are not acceptable.



When installing on the wall, do not place the device in the manner shown below. Doing so may cause electric shock or fire.

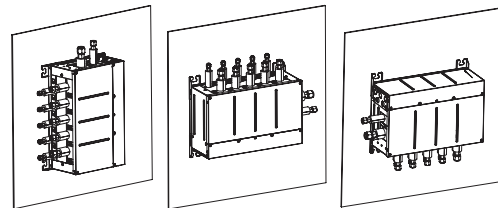


Fig. 4-12

5. Refrigerant piping

* Always follow the specifications written in the installation manual of the outdoor unit. Exceeding these requirements may cause reduced performance of the equipment, and malfunctions.

6. Mounting the Branch Box

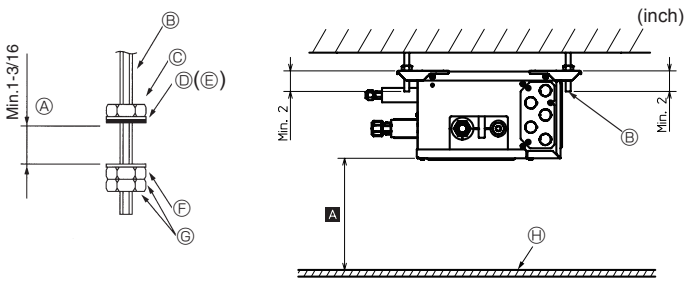


Fig. 6-1

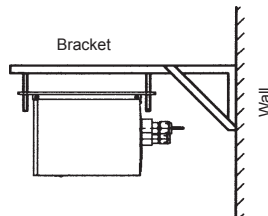


Fig. 6-2

* Purchase an appropriate bracket locally if the unit is to be mounted on a wall.

- (1) Install the suspension bolts (procure locally) at the specified pitch (Fig. 4-2, 4-3).
- (2) Fit the washers (①, ②) and nuts (procure locally) to the suspension bolts. (Fig. 6-1)
- (3) Hang the unit on the suspension bolts.
- (4) Fully tighten the nuts (check ceiling height).
- (5) Use a level to adjust the branch box to the horizontal.

- Ⓐ When unit is hung and nuts tightened
- Ⓑ Suspension bolt
- Ⓒ Nut (procure locally)
- Ⓓ Washer (with cushion) ①
- Ⓔ Ensure that cushion faces downwards
- Ⓕ Washer (without cushion) ②
- Ⓖ Nut (procure locally)
- Ⓗ Ceiling board

7. Installing refrigerant piping

Flare cutting dimensions

(inch)

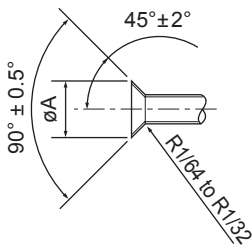


Table 1 (mm (inch))

Copper pipe O.D.	Flare dimensions øA dimensions
ø6.35 (1/4)	8.7-9.1 (11/32-23/64)
ø9.52 (3/8)	12.8-13.2 (1/2-33/64)
ø12.7 (1/2)	16.2-16.6 (41/64-21/32)
ø15.88 (5/8)	19.3-19.7 (49/64-25/32)

Fig. 7-1

Flare nut tightening torque

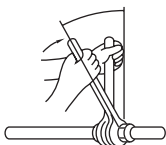


Table 2

Copper pipe O.D. (mm (inch))	Flare nut O.D. (mm (inch))	Tightening torque (N·m (ft·lbs))
ø6.35 (1/4)	17 (43/64)	14-18 (10-13)
ø6.35 (1/4)	22 (7/8)	34-42 (25-30)
ø9.52 (3/8)	22 (7/8)	34-42 (25-30)
ø9.52 (3/8)	26 (1-3/64)	49-61 (35-44)
ø12.7 (1/2)	26 (1-3/64)	49-61 (35-44)
ø12.7 (1/2)	29 (1-9/64)	68-82 (49-59)
ø15.88 (5/8)	29 (1-9/64)	68-82 (49-59)
ø15.88 (5/8)	36 (1-27/64)	100-120 (71-87)

Fig. 7-2

- ▶ Connect the liquid and gas pipes of each indoor unit to the same end connection numbers as indicated on the indoor unit flare connection section of each Branch Box. If connected to wrong end connection numbers, it doesn't work normally.
- ▶ When connecting indoor units, make sure to connect refrigerant pipes and connection wires to the appropriate connection ports marked with matching alphabets. (Ex. A, B, C, D, E) If connected to wrong end connection numbers, it doesn't work normally.

Note:

Be sure to mark all the local refrigerant piping (liquid pipes, gas pipes, etc.) for each indoor unit designating clearly which room it belongs in. (Ex. A, B, C, D, E)

- ▶ List indoor unit model names in the name plate of Branch Box (for identification purposes).

- Conduct sufficient anti-condensation and insulation work to prevent water dripping from the refrigerant piping. (liquid pipe/gas pipe)
- Increase insulation depending on the environment where the refrigerant piping is installed, or condensation may occur on the surface of the insulation material. (Insulation material Heat-resistant temperature: 120 °C [248 °F], Thickness: 15 mm [19/32 inch] or more)
- * When the refrigerant piping is used in locations subject to high temperature and humidity such as in the attic, further addition of insulation may be required.
- Insulate the liquid and gas pipes of the branch box by attaching the heat-resistant polyethylene foam tightly around them. (Fig. 7-4)
- Otherwise, a burn during pipe connection work or water leakage due to condensation on pipes may result. If connected to wrong end connection numbers, it doesn't work normally.
- ▶ When using commercially available refrigerant piping, ensure that both liquid and gas piping are wrapped with commercially available thermal insulation materials (insulation materials at least 1/2 inch (12 mm) thick and able to withstand temperatures in excess of 100°C[212°F]).
- ▶ Refer to the installation manual of the outdoor unit when creating a vacuum and opening or closing valves.

7.1. Piping connection procedure

- (1) Remove the flared nuts and caps from the branch box.
- (2) Flare the end of the liquid and gas pipes as shown in Fig. 7-1.
- (3) Apply refrigerant oil on the flared seat. (Fig. 7-3)
Use the flare nut removed from the branch box. Use of an off-the-shelf nut may lead to a crack in the nut.
- (4) Connect the refrigerant piping immediately. Always tighten the flared nuts to the torque specified in the table 2 using a torque wrench and double spanner. (Fig. 7-2)

⚠ Caution:

Tighten the flare nut with a torque wrench in the specified method. Overtightening will cause the flare nut to crack and it will cause refrigerant leakage over a period of time.

7. Installing refrigerant piping

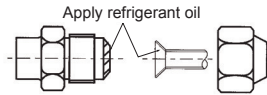


Fig. 7-3

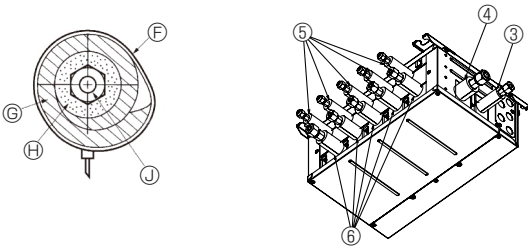


Fig. 7-4

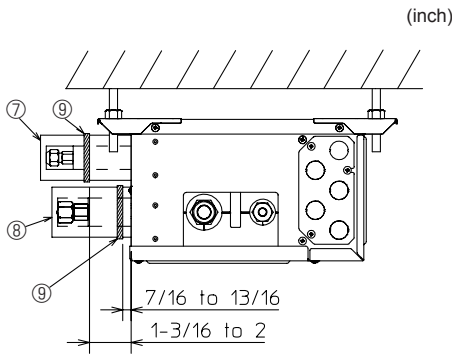


Fig. 7-5

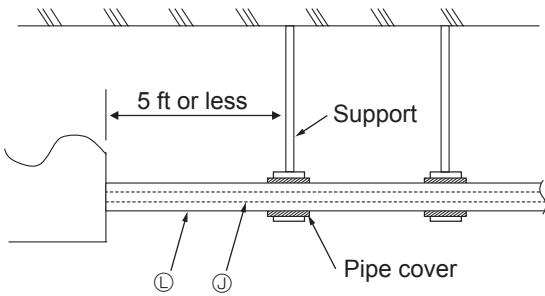


Fig. 7-6

- (5) Press the pipe covers ③ and ⑤ on the liquid piping against the unit and wrap to hold in place. (Fig. 7-4)
- (6) Press the pipe covers ④ and ⑥ on the gas piping against the unit and wrap to hold in place. (Fig. 7-4)
- (7) Apply the supplied bands ⑨ at a position 7/16-13/16 inch (10 - 20 mm) from each end of the pipe covers (③④⑤⑥).
- (8) If the indoor unit is not connected, fit the supplied pipe covers (with caps, ⑦ and ⑧) to the branch box refrigerant piping connections against the unit to prevent condensation dripping from the pipes. (Fig. 7-5)
- (9) Clamp the pipe covers (⑦⑧) in place with the supplied bands ⑨.

Note:

A special flare nut (optional or attached to the indoor unit) is needed to some indoor units. Please refer to the installation manual of outdoor unit and indoor unit for details.

- ③ Band (3.1 Accessories No. ⑨)
- ④ Pipe covers (3.1 Accessories No. ③④⑤⑥)
- ⑦ Thermal insulation for refrigerant piping
- ⑧ Refrigerant piping

7.2. Handling of ports that are not connected to outdoor unit (Fig. 7-5)

- (1) In order to prevent refrigerant leaks, make sure that the flare nuts are tightened according to the specified torques* in Table 3.
* Refrigerant may also leak if the flare nuts are tightened more than the specified torques.
- (2) In order to prevent condensation, install the pipe covers ⑦ ⑧ against the unit and fasten them with the supplied bands ⑨.

Table 3

Diameters of branch box openings for connecting indoor units (inch, mm)	Tightening torque (ft•lbs, N•m)
1/4, ø6.35	8-11, 13 ± 2
3/8, ø9.52	21-24, 30 ± 2
1/2, ø12.7	35-38, 50 ± 2

► Refrigerant charge:

Refer to the installation manual of the outdoor unit.

Use only R410A refrigerant (use of other refrigerants may cause troubles).

⚠ Caution:

To avoid excessive strain on the branch box, support the piping with one or more support(s) 1.5 m [5 ft] or less from the branch box.

Refer to Fig. 7-6 as an example.

- ① Refrigerant piping
- ② Thermal insulation for refrigerant piping

8. Electrical work

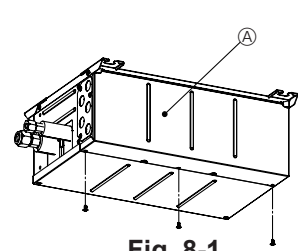


Fig. 8-1

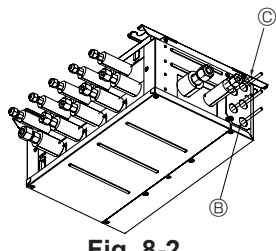
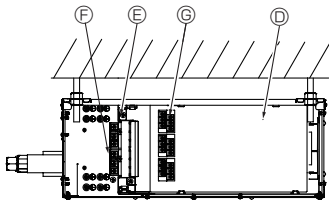
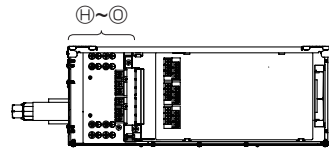


Fig. 8-2



- Ⓐ Electric cover
- Ⓑ Conduit plate
- Ⓒ Wiring
- Ⓓ Controller board
- Ⓔ Terminal block: TB5
- Ⓕ Terminal block: TB2B
- Ⓖ Terminal block: TB3A-TB3E
<To indoor unit>

Fig. 8-3



- Ⓗ Earth Terminal <Power supply>
- Ⓙ Earth Terminal <For TB3A>
- Ⓚ Earth Terminal <For TB3B>
- Ⓛ Earth Terminal <For TB3D>
- Ⓜ Earth Terminal <For TB3C>
- Ⓝ Earth Terminal <For TB3E>
- Ⓞ Earth Terminal <To other branch box>

Fig. 8-4

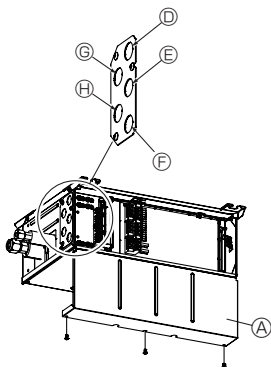


Fig. 8-5

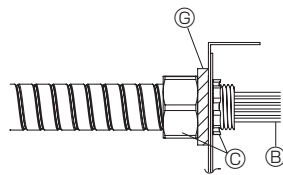


Fig. 8-6

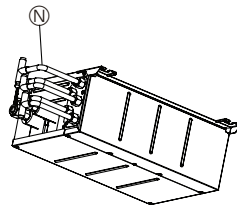


Fig. 8-7

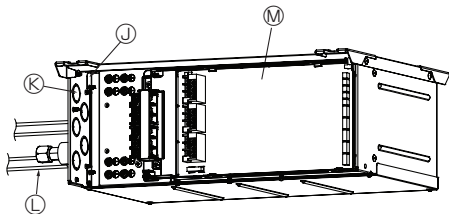
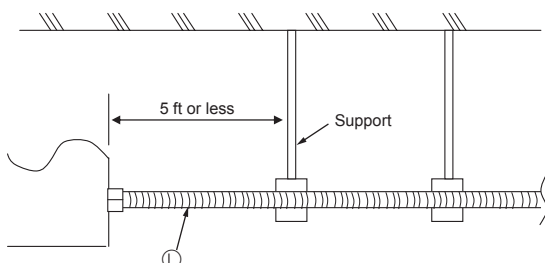


Fig. 8-8



▶ Cautions for electrical work.

⚠ Warning:

- Always use dedicated circuits with breakers, and at the rated voltage. Power supply circuits with insufficient capacity, and bad workmanship during installation, may result in electric shock or fire.

⚠ Caution:

- Be sure to establish an earth. Do not earth the unit to a utility pipe, arrester, or telephone earth.
- Incomplete earth may cause electrical shock. A high surge current from lightning or other sources may cause damage to the air conditioner.
- Use the specified electrical wiring and ensure that it is connected properly, and that it is not under tension.
- Failure to follow these requirements may result in broken wiring, heating, or fire.
- ▶ Before turning Branch Box on, be sure to set the switches.
- ▶ When power is separately supplied to the branch box and the outdoor unit, turn on the branch box first.
- ▶ Wiring connecting branch box and outdoor unit, and branch box and indoor units, functions as both power supply and signal cable. Connect this wiring in accordance with the terminal block numbers to ensure correct polarity.

▶ Connect refrigerant pipes and electrical wiring to the appropriate ports marked with matching alphabets (Ex. A, B, C, D, E) on this unit. Incorrect wiring will interfere with the correct operation of the unit.

- ▶ First, connect the power supply cable from the outdoor unit.
- ▶ Always fix each ground wire separately with a ground screw.
- ▶ To prevent that wiring installed in the ceiling is chewed by rats etc., it should be installed in wiring conduit.
 - (1) Remove the electric cover. (Fig. 8-1)
 - (2) Remove the conduit cover.
 - (3) Pass the wiring into the branch box through the conduit plate and fix with the conduit plate. (Refer to 8.1)
 - (4) Firmly connect each wire to the appropriate terminal block. (Fig. 8-9)
 - (5) Set dip sw. (Refer to 8.3)
 - (6) Replace the electric cover.

8.1. When using wiring conduit (Fig. 8-5, 8-6, 8-7)

Replace the electric cover when the wiring conduit has been fixed in place.

- Ⓐ Electric cover
- Ⓑ Wiring
- Ⓒ Nut 1/2" (procure locally)
- Ⓓ Wiring conduit (For TB3A, TB3B)
- Ⓔ Wiring conduit (For TB3C, TB3D)
- Ⓕ Wiring conduit (For TB3E)
- Ⓖ Wiring conduit (For TB2B)
- Ⓗ Wiring conduit (For TB5B)
- Ⓙ Conduit plate (3.1 Accessories No ⑩)
- Ⓚ Conduit hole
- Ⓛ Conduit pipe
- Ⓜ Controller board
- Ⓝ 2-branch wiring conduit (procure locally)

⚠ Caution:

- When installing the conduit plate ⑩, cut out only the knockout holes that are necessary for wiring ⑦.
- Cutting out unnecessary knockout holes may cause damage due to the invasion of small creatures and the like.
- When cutting out the knockout holes on the conduit plate, beware that neither deformation nor distortion occurs on the plate.
- Also, when installing the conduit plate, beware that no gap exists between the plate and the conduit pipes or the conduit holes, otherwise it may cause failure of the controller board due to the invasion of small creatures or insects. (Fig. 8-6)

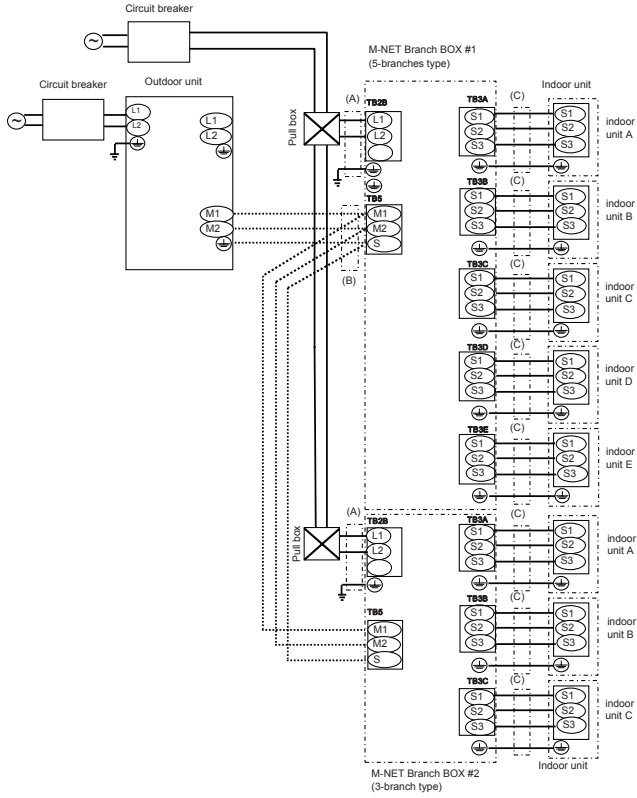
- ▶ To divide the wirings of each terminal block into 2 branches outside the branch box, use 2-branch wiring conduits ⑮. (Fig. 8-7)

⚠ Caution:

- To avoid excessive strain on the branch box, support the conduit pipe ⑬ with one or more support(s) 1.5 m [5 ft] or less from the branch box. Refer to Fig. 8-8 as an example.

8. Electrical work

Supply power separately to branch box and outdoor unit



8.2. External wiring procedure (Fig. 8-9)

Power supply from Outdoor unit

* Refer to be installation manual of the outdoor unit

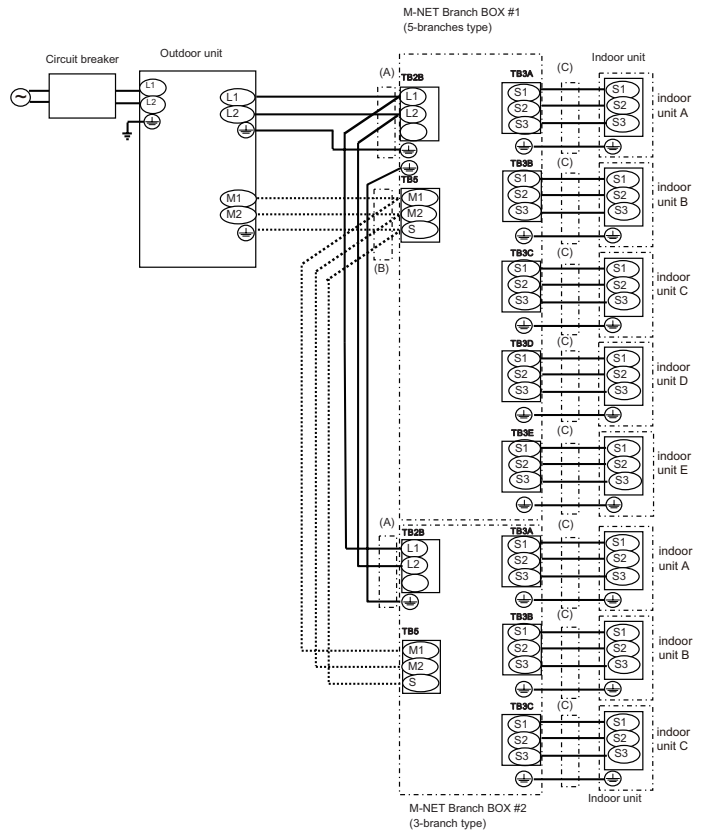


Fig. 8-9

Note:

- ① Connect the wiring in accordance with the terminal block names to ensure correct polarity.
- ② As for lines (C), S1 and S2 are for connecting the power source. And S2 and S3 are for signals. S2 is common cable for the power source and signal.

Wire diameter		
(A) Main power line/ Earth line	(B) M-NET cable shielding wire CVVS or CPEVS	(C) Signal line/ Earth line
2.1 mm ² (AWG14)	1.25 mm ² (AWG16) Less than 200 m [656 ft]	1.25 mm ² (AWG16) Less than 25 m [82 ft]

- ③ When using twisted wire for the wiring, the use of round terminal is required.
- ④ Wiring size must comply with the applicable local and national code.
- ⑤ Power supply cords and indoor unit/branch box/outdoor unit connecting cords shall not be lighter than polychloroprene sheathed flexible cord. (Design 60245 IEC 57)
- ⑥ Install an earth line longer than power cables.
- ⑦ Do not bundle the M-NET cable with the connection cable and power supply cable. It may cause erroneous operation.
- ⑧ Recommended Connection Method
When connecting one indoor unit to the branch box, connect it to TB3A. When connecting 2 indoor units, connect them to TB3A and TB3B. When connecting 3 indoor units, connect them to TB3A, TB3B, and TB3C. Connect indoor units in the order of A→B→C→D→E.

Warning:
Never splice the cable, otherwise it may result in a smoke, a fire or communication failure.

8. Electrical work

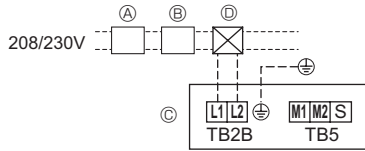


Fig. 8-10

■ Power supply wiring (Supply power separately to branch box and outdoor unit)

- Install an earth line longer than other cables.
- Power supply cords of appliance shall not be lighter than design 245IEC57 or 227IEC57, 245 IEC 53 or 227 IEC 53.
- A switch with at least 3 mm, 1/8 inch contact separation in each pole shall be provided by the air conditioner installation.

[Fig. 8-10]

- Ⓐ Ground-fault interrupter
- Ⓑ Local switch/Wiring breaker
- Ⓒ Branch Box
- Ⓓ Pull box

Total operating current of the indoor unit	Minimum wire thickness (mm ² /AWG)			Capacity (A)	FUSE (A)	Breaker for wiring (NFB)	Ground-fault interrupter *1
	Main cable	Branch	Ground				
F0 = 15A or less *2	2.1/14	2.1/14	2.1/14	15	15	15	15A current sensitivity *3
F0 = 20A or less *2	3.3/12	3.3/12	3.3/12	20	20	20	20A current sensitivity *3
F0 = 30A or less *2	5.3/10	5.3/10	5.3/10	30	30	30	30A current sensitivity *3

Apply to IEC61000-3-3 about max. permissive system impedance.

*1 The Ground-fault interrupter should support inverter circuit.

The Ground-fault interrupter should combine using of local switch or wiring breaker.

*2 Please take the larger of F1 or F2 as the value for F0.

F1 = Total operating maximum current of the indoor units × 1.2

F2 = (V1/C)

Indoor unit		V1	V2
Type 1	SEZ-KD•NA, PLA-A•BA	19.8	2.4
	PLA-A•EA		
Type 2	PEAD-A•AA5, MVZ-A•AA	26.9	
Type 3	MSZ-FE•NA	9.9	
Type 4	MSZ-EF•NA, MSZ-FH•NA(2)	6.8	
	MSZ-GE•NA		
Type 5	SLZ-KA•NA	3.5	
Type 6	MFZ-KA•NA	16.2	
Type 7	MSZ-GL•NA, MFZ-KJ•NA	7.4	
Type 8	Branch box (PAC-MKA•BC)	5.1	3.0

C : Multiple of tripping current at tripping time 0.01s

Please pick up "C" from the tripping characteristic of the breaker.

Condition: Branch Box × 2 + SEZ-KD•NA × 5, C=8 (refer to right sample chart)

F2 = 5.1 × 2/8 + 19.8 × 5/8

= 13.65

→ 16A breaker (Tripping current = 8 × 16A at 0.01s)

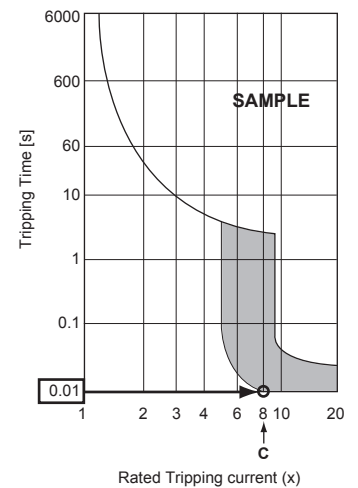
*3 Current sensitivity is calculated using the following formula.

G1 = V2 + V3 × (Wire length[km])

G1	Current sensitivity
30 or less	30 mA 0.1sec or less
100 or less	100 mA 0.1sec or less

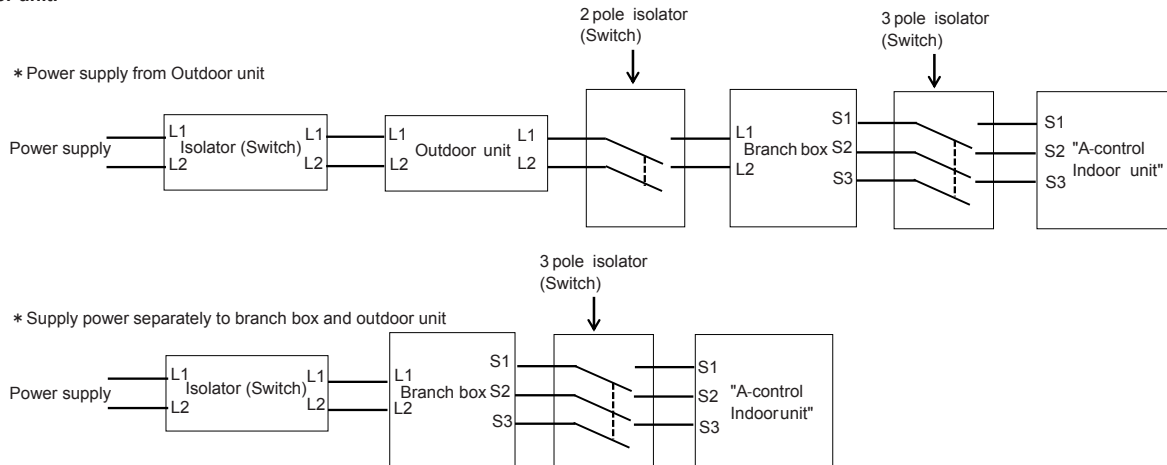
Wire thickness (mm ² /AWG)	V3
2.1/14	48
3.3/12	56
5.3/10	66

Sample chart



⚠ Warning:

In case of A-control wiring, there is high voltage potential on the S3 terminal caused by electrical circuit design that has no electrical insulation between power line and communication signal line. Therefore, please turn off the main power supply when servicing. And do not touch the S1, S2, S3 terminals when the power is energized. If an isolator should be used, use the 2 pole type between the outdoor unit and the branch box, and use the 3 pole type between the branch box and the indoor unit.

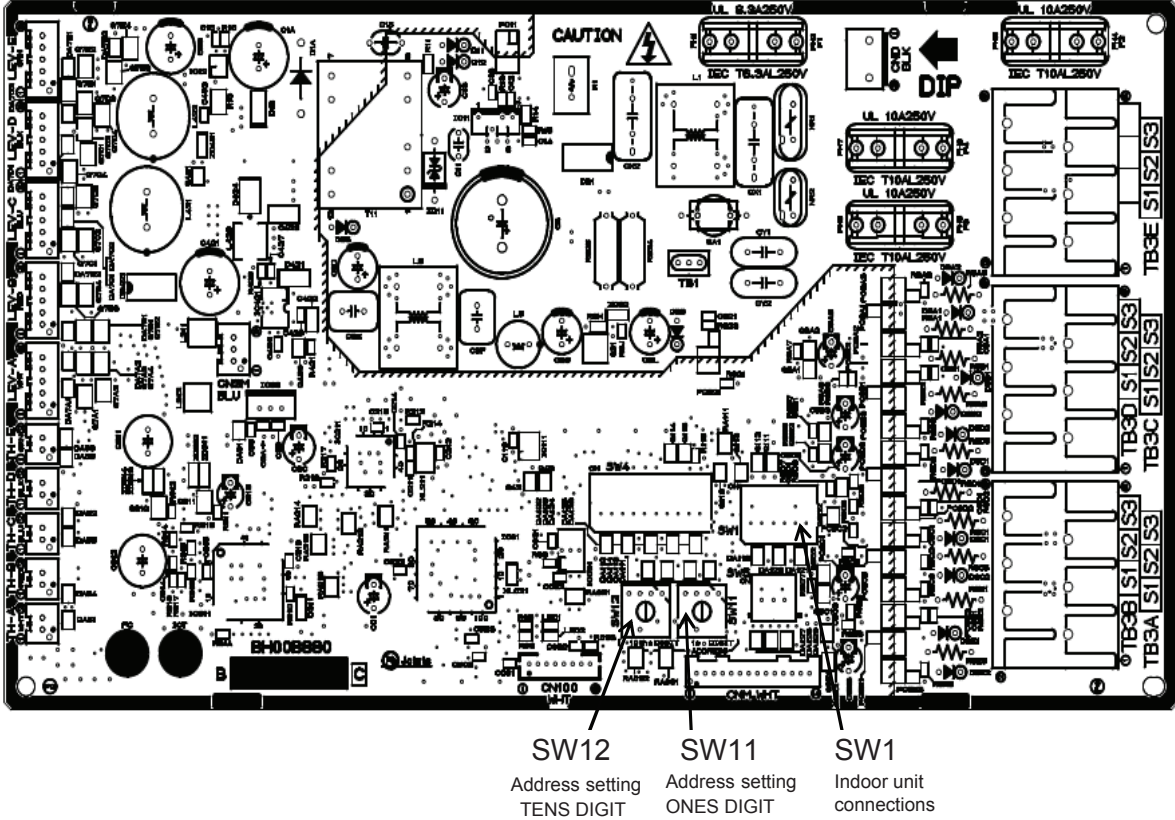


⚠ Caution:

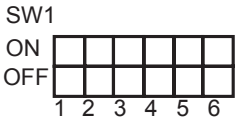
After using the isolator, be sure to turn off and on the main power supply to reset the system. Otherwise, the outdoor unit may not be able to detect the branch box(es) or indoor units.

8. Electrical work

8.3. Switch setting



Dip switch setting (Effective only before turning on the power)



(Example)
 • When the indoor units are connected to Indoor unit A and C, turn SW1-1 and SW1-3 to on.

			OFF	ON
SW1	1	Indoor unit A	Not connected	Connected
	2	Indoor unit B	Not connected	Connected
	3	Indoor unit C	Not connected	Connected
	4	Indoor unit D	Not connected	Connected
	5	Indoor unit E	Not connected	Connected
	6	Not used		

Address switch (Effective only before turning on the power)

Actual indoor unit address setting varies in different systems. Refer to the installation manual for the outdoor unit for details on how to make the address setting. Each address is set with a combination of the settings for the tens digit and ones digit.

(Example)

- When setting the address to "3", set the ones digit to 3, and the tens digit to 0.
- When setting the address to "25", set the ones digit to 5, and the tens digit to 2.

(Example)

- When setting the address of the branch BOX to "3", an address is assigned to each indoor unit starting with Unit A as shown below no matter if each indoor unit is connected. (SW1-1~5 ON)

Indoor Unit A Address 3
 Indoor Unit B Address 4
 Indoor Unit C Address 5
 Indoor Unit D Address 6
 Indoor Unit E Address 7

- When the address is set to "25" and also 3 indoor units (Unit A, Unit C, and Unit E) are connected. (SW1-1, 1-3, 1-5 ON)

Indoor Unit A Address 25
 Indoor Unit C Address 26
 Indoor Unit E Address 27

9. Test run

- Refer to the "Test run" section of the installation manual of the indoor units and outdoor unit.
- When the branch box and outdoor power source are separate, turn on the power of the branch box first, and then turn on the outdoor unit power.

• After power is supplied or after an operation stop for a while, a small clicking noise may be heard from the inside of the branch box. The electronic expansion valve is opening and closing. The unit is not faulty.

- Be sure to perform the test run in cooling mode for each indoor unit. Make sure each indoor unit operates properly following the installation manual attached to the unit.
- If you perform the test run for all indoor units at once, you cannot detect any erroneous connection, if any, of the refrigerant pipes and the indoor/outdoor unit connecting wires.
- To check for improper wiring, perform the test run for each indoor unit individually.

⚠ Caution:

- **Use the remote controller to operate the indoor unit.**
- **The following symptoms are not malfunctions.**

Symptom	Cause	Indoor unit LED display *
Indoor unit does not operate even if set to cooling (heating) operation	The cooling (heating) operation cannot be operated when the heating (cooling) operation of another indoor unit is operating.	Stand by (For Multi System)
Indoor unit fan stops during heating operation	The fan stops during defrosting operation.	-
	Fan stops when the refrigerant collecting mode ** is activated.	Stand by (For Multi System)

* See the operation manual of indoor units for details.

** This mode is activated for approximately 1 minute to help avoid an insufficient supply of refrigerant during heating operation when refrigerant is stored in an indoor unit that has been turned off or thermo-off.

Index

1. Consignes de sécurité	14	6. Montage du boîtier de dérivation	19
2. Choix d'un site pour l'installation	14	7. Installation des tuyaux de réfrigérant	19
3. Vérification des accessoires fournis	15	8. Installations électriques	21
4. Dimensions et espace requis pour l'entretien du boîtier de dérivation	15	9. Marche d'essai	25
5. Tuyau de réfrigérant	18		

Ce manuel d'installation n'est dédié qu'à l'installation du boîtier de dérivation. Pour l'installation des appareils intérieurs et extérieurs, reportez-vous au manuel d'installation propre à chaque appareil.

1. Consignes de sécurité

- ▶ Avant d'installer le climatiseur, lisez attentivement toutes les "Consignes de sécurité".
- ▶ Veuillez consulter ou obtenir la permission de votre compagnie d'électricité avant de connecter votre système.

⚠ Avertissement :

Précautions à suivre pour éviter tout danger de blessure ou de décès de l'utilisateur.

⚠ Précaution :

Décrit les précautions qui doivent être prises pour éviter d'endommager l'appareil.

⚠ Avertissement :

- Contactez un revendeur ou un technicien agréé pour installer l'appareil.
- Pour l'installation, respectez les instructions du manuel d'installation et utilisez des outils et des composants de tuyau spécialement conçus pour une utilisation avec le réfrigérant spécifié dans le manuel d'installation de l'appareil extérieur.
- L'appareil doit être installé conformément aux instructions pour réduire les risques de dommages liés à des tremblements de terre, des typhons ou des vents violents. Une installation incorrecte peut entraîner la chute de l'appareil et provoquer des dommages ou des blessures.
- L'appareil doit être solidement installé sur une structure pouvant supporter son poids.
- Si le climatiseur est installé dans une petite pièce, certaines mesures doivent être prises pour éviter que la concentration de réfrigérant ne dépasse le seuil de sécurité en cas de fuite. En cas de fuite de réfrigérant et de dépassement du seuil de concentration, des risques liés au manque d'oxygène dans la pièce peuvent survenir.
- Aérez la pièce en cas de fuite de réfrigérant lors de l'utilisation. Le contact du réfrigérant avec une flamme peut provoquer des émanations de gaz toxiques.
- Tout travail sur les installations électriques doit être effectué par un technicien qualifié conformément aux réglementations locales et aux instructions fournies dans ce manuel.
- N'utilisez que les câbles spécifiés pour les raccordements.
- Le couvercle du bornier de l'appareil doit être solidement fixé.
- N'utilisez que les accessoires agréés par Mitsubishi Electric et contactez un revendeur ou un technicien agréé pour les installer.
- L'utilisateur ne doit jamais essayer de réparer ou de déplacer l'appareil.
- Une fois l'installation terminée, vérifiez les éventuelles fuites de réfrigérant. Si le réfrigérant fuit dans la pièce et entre en contact avec la flamme d'un chauffage ou d'une cuisinière, des gaz toxiques peuvent se dégager.
- Veillez à relier les cordons d'alimentation et les fils de raccordement des appareils intérieurs, des appareils extérieurs et des boîtiers de dérivation directement sur les appareils (sans raccordement intermédiaire). Les raccordements intermédiaires peuvent engendrer des erreurs de communication si de l'eau s'infiltré dans les cordons et les fils et entraînent une isolation insuffisante de la mise à la terre ou un mauvais contact électrique au niveau du point de raccordement intermédiaire. (Si un raccordement intermédiaire est nécessaire, veillez à prendre des mesures afin d'éviter que l'eau ne pénètre dans les cordons et les fils.)

2. Choix d'un site pour l'installation

* Le boîtier de dérivation est destiné uniquement à une utilisation intérieure. Veuillez fixer le couvercle spécial fourni en option (PAC-AK350CVR-E) pour installer le boîtier de dérivation à l'extérieur.

- Vérifiez que le boîtier de dérivation est installé dans un endroit pratique pour l'entretien et la maintenance. (Vérifiez que l'espace ou les orifices d'entretien nécessaires sont accessibles.)
- Vérifiez que le boîtier de dérivation est installé au-dessus du plafond du couloir, de la salle de bain, etc. c'est-à-dire dans un endroit peu fréquenté. Ne pas installer à proximité de chambres, salons, etc. Le son du réfrigérant s'écoulant dans la tuyauterie est parfois audible. En outre, ne procédez pas à l'installation dans un endroit où la maintenance est impossible.
- Vérifiez qu'il est placé dans un endroit où le bruit en fonctionnement ne représente pas un problème. Une fois sous tension ou après un arrêt prolongé, un cliquetis provenant de l'intérieur du boîtier de dérivation se fait entendre. Le détendeur électronique s'ouvre et se ferme. L'appareil n'est pas défectueux.

Une fois l'installation terminée, expliquez les "Consignes de sécurité", l'utilisation et l'entretien de l'appareil au client conformément aux informations du mode d'emploi et effectuez la marche d'essai pour garantir un fonctionnement normal. Le manuel d'installation et le mode d'emploi doivent être fournis à l'utilisateur qui doit les conserver. Ces manuels doivent également être transmis aux nouveaux utilisateurs.

⚡ : Indique un élément qui doit être mis à la terre.

⚠ Avertissement :

Prenez soin de lire les étiquettes se trouvant sur l'appareil principal.

⚠ Précaution :

- Vérifiez que les tuyaux de réfrigérant sont bien isolés pour empêcher la formation de condensation. Une isolation incomplète peut provoquer de la condensation à la surface des tuyaux, l'apparition d'humidité au niveau du plafond et du sol, ainsi qu'à d'autres situations sérieuses.
- N'utilisez pas l'appareil dans un environnement inhabituel. Si le climatiseur est installé dans des endroits exposés à la vapeur, à l'huile volatile (notamment l'huile de machine), au gaz sulfurique ou à une forte teneur en sel, par exemple, en bord de mer, les performances peuvent considérablement diminuer et les pièces internes de l'appareil être endommagées.
- N'installez pas l'appareil dans des endroits où des gaz de combustion peuvent s'échapper, se dégager ou s'accumuler. L'accumulation de gaz de combustion autour de l'appareil peut provoquer un incendie ou une explosion.
- Lors de l'installation de l'appareil dans un hôpital ou un centre de communications, préparez-vous au bruit et aux interférences électroniques. Les inverseurs, les appareils électroménagers, les équipements médicaux haute fréquence et de communications radio peuvent provoquer un dysfonctionnement ou une défaillance du climatiseur. Le climatiseur peut également endommager les équipements médicaux et de communications, perturbant ainsi les soins et réduisant la qualité d'affichage des écrans.
- Isolez le tuyau de réfrigérant pour éviter la condensation. S'il n'est pas correctement isolé, de la condensation risque de se former.
- Placez un isolant thermique sur les tuyaux pour éviter la condensation. L'installation incorrecte du tuyau d'écoulement peut provoquer des fuites d'eau et endommager le plafond, le sol, les meubles ou d'autres objets.
- Ne nettoyez pas le climatiseur à l'eau au risque de provoquer un choc électrique.
- Serrez tous les écrous évasés conformément aux spécifications à l'aide d'une clé dynamométrique. S'ils sont trop serrés, ils peuvent casser après une période prolongée.
- Veillez à installer des coupe-circuits. Sinon, une électrocution pourrait en résulter.
- Pour les lignes d'alimentation, utilisez des câbles standard de capacité suffisante. Sinon, un court-circuit, une surchauffe ou un incendie pourraient en résulter.
- Lors de l'installation des lignes d'alimentation, ne mettez pas les câbles sous tension. Si les raccordements sont lâches, les câbles peuvent se rompre ou surchauffer et entraîner un incendie.
- Ne raccordez pas les câbles de mise à la terre aux tuyaux du gaz ou de l'eau, aux poteaux d'éclairage ou aux lignes de mise à la terre du téléphone. Si l'appareil n'est pas mis à la terre correctement, des électrocutions pourraient en résulter.
- Ne mettez pas hors tension le disjoncteur du boîtier de dérivation M-NET lors de l'installation de l'appareil par une température inférieure à -20 °C (-4 °F), sinon, une panne de communication pourrait en résulter.

- Déterminez l'agencement des tuyaux de réfrigérant et des câbles électriques avant l'installation.
- Vérifiez que le site d'installation est tel que la longueur des tuyaux de réfrigérant ne dépasse pas les limites spécifiées.

• Ne procédez pas à l'installation dans un endroit chaud ou humide pendant de longues périodes.

* Vérifiez que l'appareil est installé dans un endroit capable de supporter son poids.

⚠ Avertissement :

Vérifiez que l'appareil est correctement installé dans un endroit capable de supporter son poids. Si l'installation manque de solidité, l'appareil peut tomber et provoquer des blessures.

3. Vérification des accessoires fournis

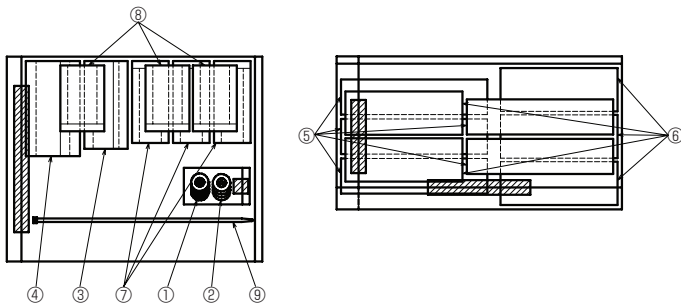


Fig. 3-1

3.1. Vérifiez les accessoires et les pièces du boîtier de dérivation

N°	Nom des accessoires	Qté		Remarques
		PAC-MKA31BC	PAC-MKA51BC	
①	Rondelle (isolée)	4	4	
②	Rondelle	4	4	
③	Cache-tuyaux (liquide)	1	1	Vers l'appareil extérieur
④	Cache-tuyaux (gaz)	1	1	Vers l'appareil extérieur
⑤	Cache-tuyaux (liquide)	3	5	Vers l'appareil intérieur
⑥	Cache-tuyaux (gaz)	3	5	Vers l'appareil intérieur
⑦	Couvre-joint (liquide)	1	3	
⑧	Couvre-joint (gaz)	1	3	
⑨	Sangle	16	24	
⑩	Plaque de conduit	1	1	Fixé sur le corps principal et expédié.

4. Dimensions et espace requis pour l'entretien du boîtier de dérivation

Joint optionnels de différents diamètres (déformés)

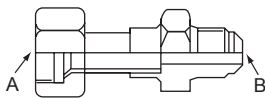


Fig. 4-1

Nom du modèle	Diamètre des tuyaux raccordés	Diamètre A	Diamètre B
	pouce, mm	pouce, mm	pouce, mm
MAC-A454JP	3/8, ø9,52 → 1/2, ø12,7	3/8, ø9,52	1/2, ø12,7
MAC-A455JP	1/2, ø12,7 → 3/8, ø9,52	1/2, ø12,7	3/8, ø9,52
MAC-A456JP	1/2, ø12,7 → 5/8, ø15,88	1/2, ø12,7	5/8, ø15,88
PAC-493PI	1/4, ø6,35 → 3/8, ø9,52	1/4, ø6,35	3/8, ø9,52
PAC-SG76RJ-E	3/8, ø9,52 → 5/8, ø15,88	3/8, ø9,52	5/8, ø15,88
PAC-SG75RJ-E	5/8, ø15,88 → 3/4, ø19,05	5/8, ø15,88	3/4, ø19,05

■ PAC-MKA51BC (type à 5 embranchements)

(pouce)

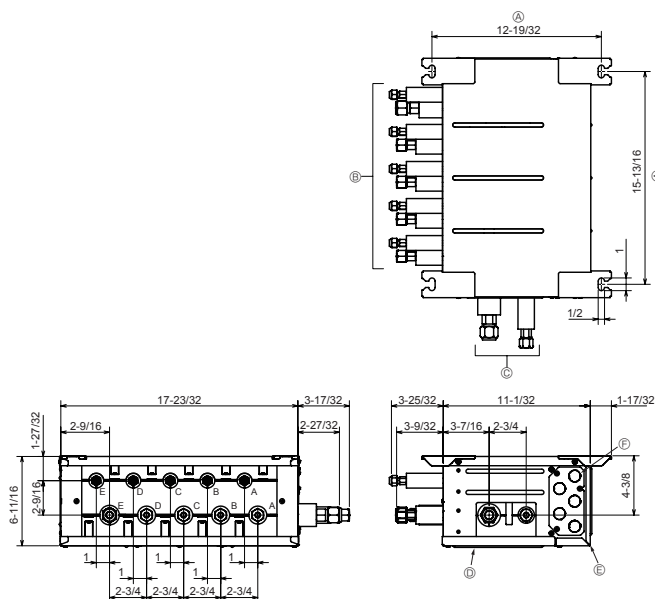


Fig. 4-2

- * Il est possible de raccorder au moins 2 appareils intérieurs à 1 système.
- * Vous pouvez raccorder jusqu'à 2 boîtiers de dérivation sur 1 appareil extérieur.
- * Boulon de suspension : W3/8 (M10)
- * Raccord évasé des tuyaux de réfrigérant

* La taille des raccords de tuyau diffère selon le type et la capacité des appareils intérieurs. Adaptez la taille du raccordement du tuyau de l'appareil intérieur et du boîtier de dérivation. Si la taille du raccordement du tuyau du boîtier de dérivation diffère de celle du raccordement du tuyau de l'appareil intérieur, utilisez des joints (déformés) d'un diamètre différent (disponibles en option) au niveau du boîtier de dérivation. (Raccordez le joint déformé directement au niveau du boîtier de dérivation.)

- Ⓐ Pas du boulon de suspension
- Ⓑ Vers l'appareil intérieur
- Ⓒ Vers l'appareil extérieur
- Ⓓ Panneau de service
- Ⓔ Couverture électrique
- Ⓕ Plaque de conduit
- Ⓖ Bornier (vers appareil intérieur sur panneau de commande)
- Ⓗ Bornier (vers appareil extérieur)
- Ⓙ Bornier (pour câble de communication)

■ PAC-MKA51BC (Fig.4-2)

Boulon de suspension : W3/8 (M10)

Raccord évasé des tuyaux de réfrigérant

pouce, mm

	Vers l'appareil intérieur					Vers l'appareil extérieur
	A	B	C	D	E	
Tuyau de liquide	1/4, ø6,35	1/4, ø6,35	1/4, ø6,35	1/4, ø6,35	1/4, ø6,35	3/8, ø9,52
Tuyau de gaz	3/8, ø9,52	3/8, ø9,52	3/8, ø9,52	3/8, ø9,52	1/2, ø12,7	5/8, ø15,88

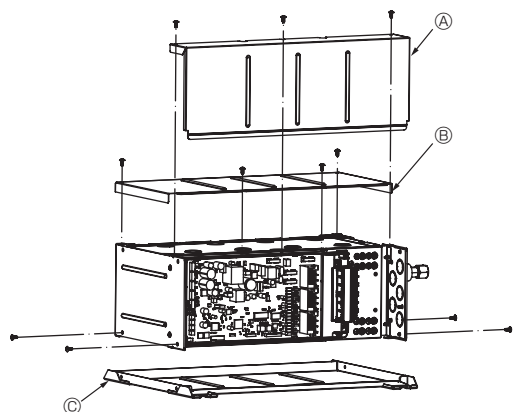
Formule de conversion

1/4 F	ø6,35
3/8 F	ø9,52
1/2 F	ø12,7
5/8 F	ø15,88
3/4 F	ø19,05

4. Dimensions et espace requis pour l'entretien du boîtier de dérivation

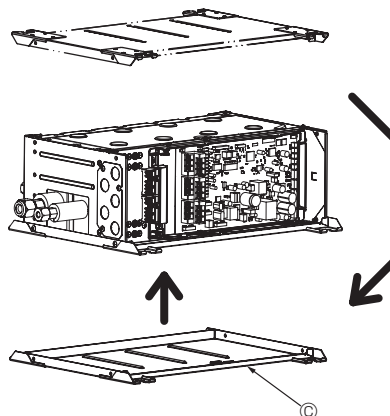
② Retirez le capot électrique, le panneau de service et le panneau supérieur.

- Ⓐ Protection électrique
- Ⓑ Panneau de service
- Ⓒ Panneau supérieur

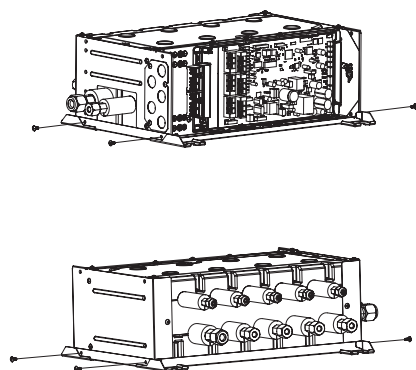


③ Installez le panneau supérieur sur la surface opposée.

- Ⓒ Panneau supérieur

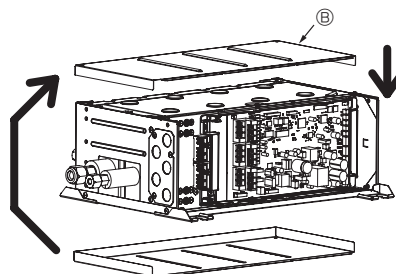


④ Fixez les vis de chaque pièce.

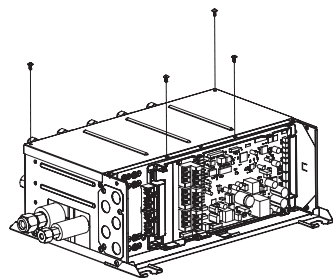


⑤ Installez le panneau de service sur la surface opposée.

- Ⓑ Panneau de service

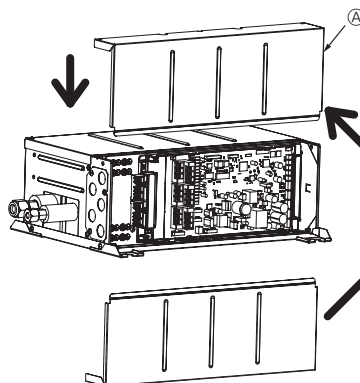


⑥ Fixez les vis de chaque pièce.



⑦ Installez la protection électrique sur la surface opposée.

- Ⓐ Protection électrique



⑧ Fixez les vis de chaque pièce.

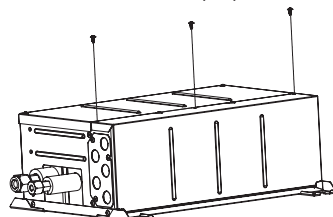


Fig. 4-5

4. Dimensions et espace requis pour l'entretien du boîtier de dérivation

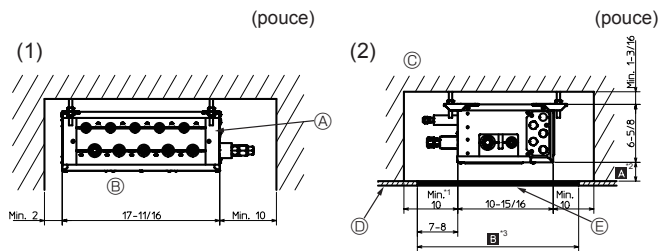


Fig. 4-6

Fig. 4-7

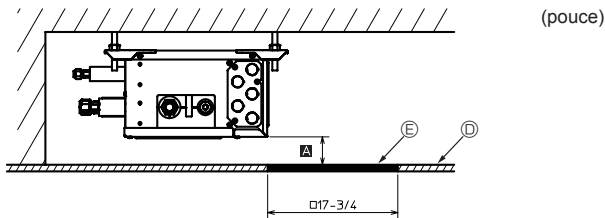


Fig. 4-8

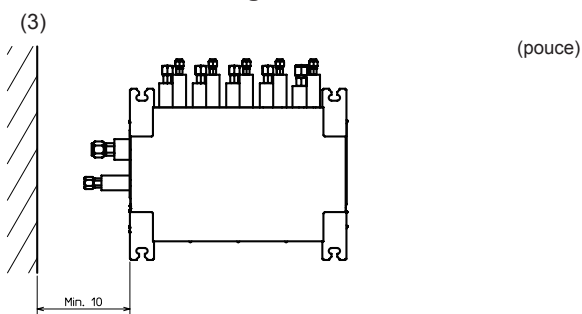


Fig. 4-9

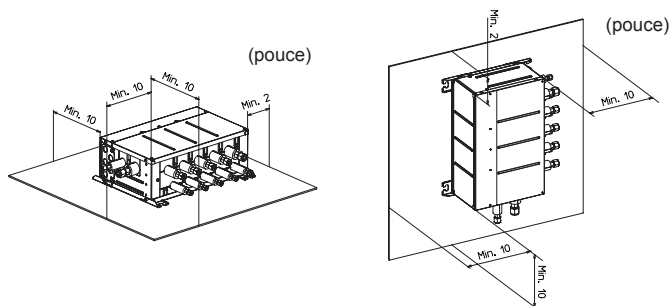


Fig. 4-10

Fig. 4-11

4.3. Espace requis pour l'installation et l'entretien

I. Espace lors de l'installation avec les boulons de suspension.

(1) Vue de face (Fig. 4-6)

- Ⓐ Boîtier de dérivation
- Ⓑ Sur la face latérale des tuyaux

(2) Vue de profil (Fig. 4-7, Fig. 4-8)

- Ⓒ Pour les installations intérieures
- Ⓓ Panneau pour plafond
- Ⓔ Orifice d'entretien

*1 : Un rayon minimum de 13-3/4 pouces (350 mm) est requis pour obtenir une courbure de 90° de la tuyauterie de réfrigérant.

*2 : Ⓐ correspond à "7-7/8 pouces (200 mm) au minimum" <recommandation>.

Si la valeur est inférieure à 7-7/8 pouces (200 mm) (par exemple, si Ⓐ correspond à 4 pouces (100 mm)), le remplacement du boîtier de dérivation à partir d'un orifice d'entretien devient difficile (Seul le remplacement d'une carte de circuit imprimé, des bobines du détendeur linéaire et des capteurs est possible.).

*3 : Ⓑ correspond à "□ 23 - 5/8 pouces (600 mm)" <recommandation>.

Si la valeur est de "□ 17-3/4 pouces (450 mm)", préparez un orifice d'entretien du côté de la carte de circuit intégré (comme illustré à la Fig. 4-8) et la distance Ⓐ doit correspondre à "11-13/16 pouces (300 mm) minimum".

Si la valeur est inférieure à 11-13/16 pouces (300 mm) (par exemple, si Ⓐ correspond à 4 pouces (100 mm)), le remplacement du boîtier de dérivation, des bobines du détendeur linéaire et des capteurs à partir d'un orifice d'entretien devient difficile (Seul le remplacement d'une carte de circuits intégrés est possible.).

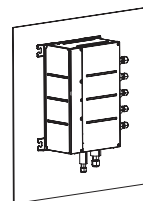
(3) Vue de dessus (Fig. 4-9)

II. Espace lors de l'installation au sol. (Fig. 4-10)

III. Espace lors sur l'installation sur un mur. (Fig. 4-11)

⚠ Avertissement :

Le sens d'installation est limité lors de l'installation sur un mur. (Fig 4-12)



Instructions pour une installation correcte

Lors de l'installation de l'appareil sur un mur, installer la tuyauterie raccordée à l'appareil extérieur orienté vers le bas. Les autres méthodes ne sont pas acceptables.



Lors de l'installation sur un mur, ne placez pas l'appareil de la manière indiquée ci-dessous. Cela pourrait provoquer une électrocution ou un incendie.

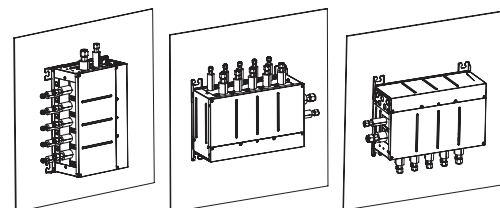


Fig. 4-12

5. Tuyau de réfrigérant

* Suivez toujours les spécifications figurant dans le manuel d'installation de l'appareil extérieur. Le dépassement de ces exigences peut induire une baisse des performances de l'équipement et des dysfonctionnements.

6. Montage du boîtier de dérivation

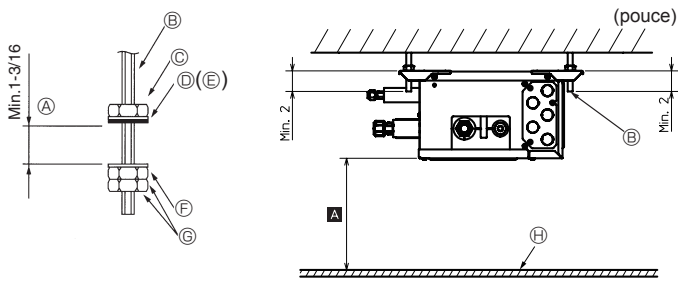


Fig. 6-1

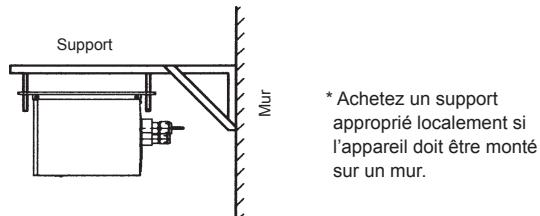


Fig. 6-2

- (1) Installez les boulons de suspension (à acheter localement) suivant le pas requis (Fig. 4-2, 4-3).
- (2) Fixez les rondelles (①, ②) et les écrous (à acheter localement) sur les boulons de suspension. (Fig. 6-1)
- (3) Accrochez l'appareil sur les boulons de suspension.
- (4) Serrez correctement les écrous (vérifier la hauteur de plafond).
- (5) Utilisez un niveau pour ajuster le boîtier de dérivation à l'horizontale.

- Ⓐ Une fois l'appareil suspendu et les écrous correctement fixés
- Ⓑ Boulon de suspension
- Ⓒ Écrou (à acheter localement)
- Ⓓ Rondelle (avec amortisseur) ①
- Ⓔ Rondelle (sans amortisseur) ②
- Ⓕ Écrou (à acheter localement)
- Ⓖ Panneau pour plafond

7. Installation des tuyaux de réfrigérant

Dimensions de l'évasement

(pouce)

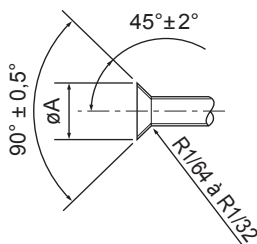


Tableau 1 (mm (pouce))

Diam. ext. Tuyau en cuivre	Dimensions évasement Dimensions ϕA
$\phi 6,35$ (1/4)	8,7-9,1 (11/32-23/64)
$\phi 9,52$ (3/8)	12,8-13,2 (1/2-33/64)
$\phi 12,7$ (1/2)	16,2-16,6 (41/64-21/32)
$\phi 15,88$ (5/8)	19,3-19,7 (49/64-25/32)

Fig. 7-1

Couple de serrage du raccord conique

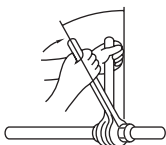


Tableau 2

Diam. ext. Tuyau en cuivre (mm (pouce))	Diam. ext. raccord conique (mm (pouce))	Couple de serrage (N*m (pi*lbs))
$\phi 6,35$ (1/4)	17 (43/64)	14-18 (10-13)
$\phi 6,35$ (1/4)	22 (7/8)	34-42 (25-30)
$\phi 9,52$ (3/8)	22 (7/8)	34-42 (25-30)
$\phi 9,52$ (3/8)	26 (1-3/64)	49-61 (35-44)
$\phi 12,7$ (1/2)	26 (1-3/64)	49-61 (35-44)
$\phi 12,7$ (1/2)	29 (1-9/64)	68-82 (49-59)
$\phi 15,88$ (5/8)	29 (1-9/64)	68-82 (49-59)
$\phi 15,88$ (5/8)	36 (1-27/64)	100-120 (71-87)

Fig. 7-2

- ▶ Raccordez les tuyaux de liquide et de gaz de chaque appareil intérieur au raccordement portant le même numéro, comme indiqué dans la section sur le raccord évasé des appareils intérieurs de chaque boîtier de dérivation. Tout raccordement incorrect engendre un dysfonctionnement.
- ▶ Lors du raccordement des appareils intérieurs, assurez-vous de raccorder les tuyaux de réfrigérant et de raccordement aux orifices de raccordement appropriés portant une lettre de l'alphabet identique. (Par exemple, A, B, C, D, E) Tout raccordement incorrect engendre un dysfonctionnement.

Remarque :

Veillez à marquer chaque tuyau de réfrigérant local (tuyaux de liquide, de gaz, etc.) de chaque appareil intérieur afin d'identifier clairement la pièce concernée (Par exemple, A, B, C, D, E).

- ▶ Notez les références des appareils intérieurs figurant sur la plaque signalétique du boîtier de commande du boîtier de dérivation (à des fins d'identification).

- Isolez et protégez efficacement le système contre la condensation, de manière à empêcher tout écoulement d'eau de la tuyauterie de réfrigérant. (Tuyau de liquide/de gaz)
- Augmentez l'isolation en fonction de l'environnement dans lequel la tuyauterie de réfrigérant est installée, sinon de la condensation peut se former à la surface du matériau d'isolation. (Matériau d'isolation résistant à une température de 120 °C [248 °F], épaisseur : 15 mm [19/32 pouce] ou plus)
- * Lorsque la tuyauterie de réfrigérant est placée dans des endroits soumis à des températures élevées et à une forte humidité, dans un grenier par exemple, une isolation supplémentaire peut être nécessaire.
- Isolez les tuyaux de liquide et de gaz du boîtier de dérivation en appliquant de la mousse polyéthylène résistante à la chaleur tout autour. (Fig. 7-4) Sinon, il pourrait en résulter des blessures lors du raccordement des tuyaux ou des fuites d'eau en raison de la condensation sur ces derniers. Tout raccordement incorrect engendre un dysfonctionnement.
- ▶ Lors de l'utilisation de tuyaux de réfrigérant disponibles dans le commerce, s'assurer que les tuyaux de gaz et de liquide sont entourés d'un isolant thermique disponible dans le commerce (matériaux isolants d'une épaisseur minimum de 1/2 pouce (12 mm) et pouvant supporter des températures supérieures à 100 °C [212°F]).
- ▶ Consultez le manuel d'installation de l'appareil extérieur lors de la création de vide ou lors de l'ouverture ou de la fermeture des vannes.

7.1. Procédure de raccordement de la tuyauterie

- (1) Retirez les écrous évasés et les capuchons du boîtier de dérivation.
- (2) Évasez les extrémités des tuyaux de liquide et de gaz comme illustré sur la Fig. 7-1.
- (3) Appliquez de l'huile réfrigérante sur la surface évasée. (Fig. 7-3) Utilisez l'écrou évasé retiré du boîtier de dérivation. L'utilisation d'un écrou du commerce pourrait fissurer l'écrou.
- (4) Raccordez immédiatement les tuyaux de réfrigérant. Serrez toujours les écrous évasés jusqu'au couple spécifié dans le tableau 2 à l'aide d'une clé dynamométrique et d'une double clé à molette. (Fig. 7-2)

⚠ Précaution :

Serrez l'écrou évasé à l'aide d'une clé dynamométrique en respectant la méthode spécifiée.

Un serrage trop important cassera l'écrou évasé et provoquera une fuite de réfrigérant pendant un certain temps.

7. Installation des tuyaux de réfrigérant

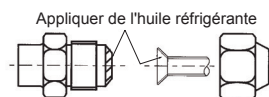


Fig. 7-3

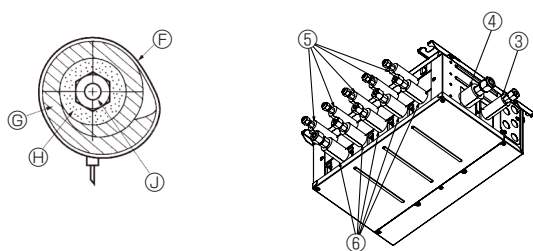


Fig. 7-4

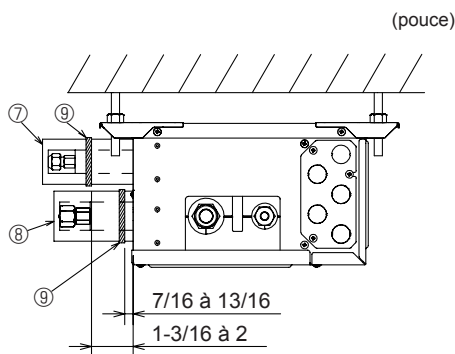


Fig. 7-5

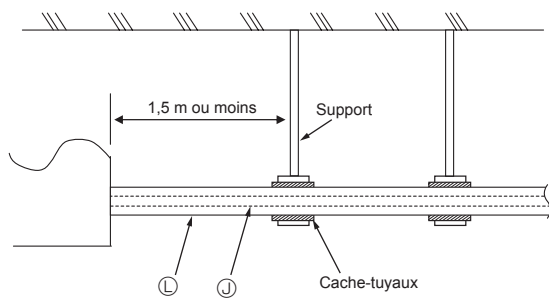


Fig. 7-6

- (5) Appuyez les cache-tuyaux ③ et ⑤ sur les tuyaux de liquide contre l'appareil et enroulez-les pour les maintenir en place. (Fig. 7-4)
- (6) Appuyez les cache-tuyaux ④ et ⑥ sur les tuyaux de gaz contre l'appareil et enroulez-les pour les maintenir en place. (Fig. 7-4)
- (7) Fixez les sangles fournies ⑨ à 7/16-13/16 pouces (10 à 20 mm) de chaque extrémité des cache-tuyaux (③④⑤⑥).
- (8) Si l'appareil intérieur n'est pas raccordé, raccordez les cache-tuyaux (avec les bouchons, ⑦ et ⑧) sur les branchements des tuyaux de réfrigérant du boîtier de dérivation contre l'appareil afin d'éviter un écoulement de condensation des tuyaux. (Fig. 7-5)
- (9) Fixez les cache-tuyaux (⑦⑧) à l'aide des sangles fournies ⑨.

Remarque :

Certains appareils intérieurs requièrent l'achat d'un écrou évasé (en option ou fourni avec l'appareil intérieur). Consultez le manuel d'installation des appareils intérieur et extérieur pour plus de détails.

- ⑥ Sangle (3.1 Accessoire n° ⑨)
- ③ Cache-tuyaux (3.1 Accessoire n° ③④⑤⑥)
- ⑧ Isolant thermique pour tuyau de réfrigérant
- ④ Tuyau de réfrigérant

7.2. Gestion des orifices de raccordements qui ne sont pas raccordés à l'appareil extérieur (Fig. 7-5)

- (1) Afin d'éviter toute fuite de réfrigérant, veillez à serrer les raccords coniques conformément aux couples de serrage indiqués* dans le Tableau 3.
* Des fuites de réfrigérant peuvent également survenir si les écrous évasés sont serrés au-delà des couples de serrage indiqués.
- (2) Pour éviter la condensation, mettez en place les cache-tuyaux ⑦ ⑧ contre l'appareil et attachez-les à l'aide des sangles ⑨ fournies.

Tableau 3

Diamètre des ouvertures du boîtier de dérivation pour le raccordement des appareils intérieurs (pouces, mm)	Couple de serrage (pi•lbs, N•m)
1/4, ø6,35	8-11, 13 ± 2
3/8, ø9,52	21-24, 30 ± 2
1/2, ø12,7	35-38, 50 ± 2

► Charge de réfrigérant :

Reportez-vous au manuel d'installation de l'appareil extérieur. N'utilisez que du réfrigérant R410A (L'utilisation de tout autre réfrigérant peut engendrer des dysfonctionnements.).

⚠ Précaution :

Pour éviter un effort excessif sur le boîtier de dérivation, soutenez les tuyaux avec un ou deux support(s) de 1,5 m [5 pi], ou moins, depuis le boîtier de dérivation.

Reportez-vous à la Fig. 7-6 comme exemple.

- ④ Tuyau de réfrigérant
- ⑧ Isolant thermique pour tuyau de réfrigérant

8. Installations électriques

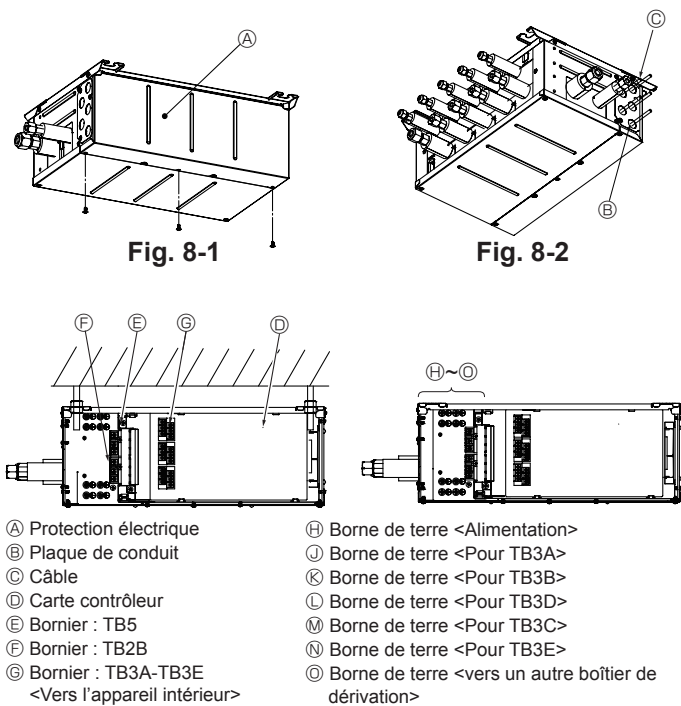
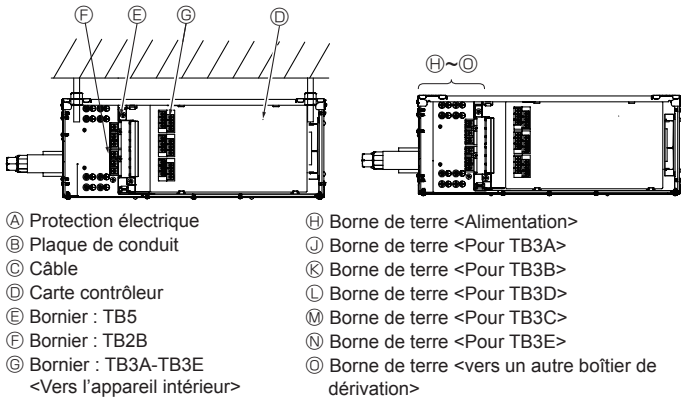


Fig. 8-1

Fig. 8-2



- Ⓐ Protection électrique
- Ⓑ Plaque de conduit
- Ⓒ Câble
- Ⓓ Carte contrôleur
- Ⓔ Bornier : TB5
- Ⓕ Bornier : TB2B
- Ⓖ Bornier : TB3A-TB3E <Vers l'appareil intérieur>
- Ⓗ Borne de terre <Alimentation>
- Ⓙ Borne de terre <Pour TB3A>
- Ⓚ Borne de terre <Pour TB3B>
- Ⓛ Borne de terre <Pour TB3D>
- Ⓜ Borne de terre <Pour TB3C>
- Ⓝ Borne de terre <Pour TB3E>
- Ⓞ Borne de terre <vers un autre boîtier de dérivation>

Fig. 8-3

Fig. 8-4

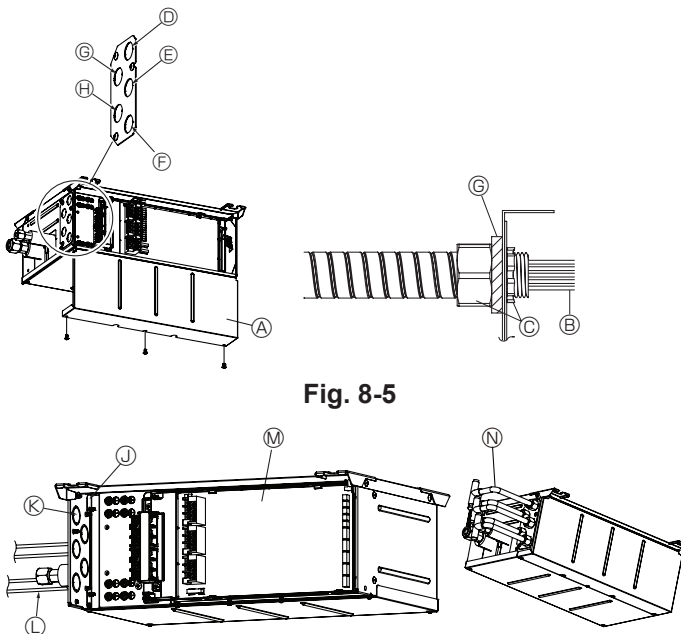


Fig. 8-5

Fig. 8-6

Fig. 8-7

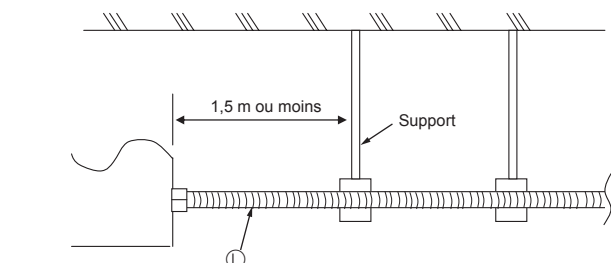


Fig. 8-8

► Précautions concernant les travaux électriques

⚠ Avertissement :

- Utilisez toujours les circuits dédiés avec disjoncteur et à la tension nominale.

Les circuits électriques d'alimentation dotés d'une capacité insuffisante, ainsi qu'une mauvaise installation, peuvent provoquer un choc électrique ou un incendie.

⚠ Précaution :

- Veillez à relier le système à la terre. Ne reliez pas l'appareil à la terre sur un réseau public d'alimentation, un conducteur de dérivation ou une prise de téléphone.

Une mise à la terre incomplète peut provoquer une électrocution. Un courant de surtension provoqué par un éclair ou tout autre source peut endommager le climatiseur.

- Utilisez le câblage électrique indiqué. Vérifiez qu'il est correctement raccordé et qu'il n'est pas soumis à une surtension.

Le non respect de ces exigences peut se traduire par des câbles cassés, une surchauffe ou un incendie.

- Avant de mettre le boîtier de dérivation sous tension, veillez à régler les commutateurs.

- Si l'alimentation est fournie séparément du boîtier de dérivation et de l'appareil extérieur, allumez d'abord le boîtier de dérivation.

- Le câble de raccordement du boîtier de dérivation et de l'appareil extérieur, et du boîtier de dérivation et des appareils intérieurs fonctionne comme un câble d'alimentation électrique et un câble de transmission du signal. Raccordez ce câble conformément aux numéros des borniers pour vous assurer que la polarité est correcte.

► Raccordez les tuyaux de réfrigérant et le câblage électrique sur les ports appropriés indiqués par des lettres de l'alphabet (Ex. A, B, C, D, E) figurant sur cet appareil. Un câblage incorrect provoquera le dysfonctionnement de l'appareil.

- Commencez par raccorder le câble d'alimentation depuis l'appareil extérieur.

- Raccordez toujours chaque fil de mise à la terre séparément avec une vis de terre.

- Installez le câble monté au plafond dans un conduit approprié pour éviter qu'il ne soit rongé par les rats, etc.

(1) Retirez le capot électrique. (Fig. 8-1)

(2) Retirez le capot de la tuyauterie.

(3) Passez le câblage dans le boîtier de dérivation via la plaque de tuyauterie et attachez-le à l'aide de la plaque de tuyauterie. (Reportez-vous à 8.1)

(4) Raccordez fermement chaque fil sur le bornier approprié. (Fig. 8-9)

(5) Réglez les commutateurs DIP. (Reportez-vous à 8.3)

(6) Remettez en place le capot électrique.

8.1. Lors de l'utilisation d'un conduit de câblage (Fig. 8-5, 8-6, 8-7)

Remettez en place le capot électrique une fois le conduit de câblage installé.

- Ⓐ Protection électrique
- Ⓑ Câblage
- Ⓒ Écrou 1/2" (à acheter localement)
- Ⓓ Conduit de câblage (pour TB3A, TB3B)
- Ⓔ Conduit de câblage (pour TB3C, TB3D)
- Ⓕ Conduit de câblage (pour TB3E)
- Ⓖ Conduit de câblage (pour TB2B)
- Ⓗ Conduit de câblage (pour TB5B)
- Ⓙ Plaque de conduit (3.1 Accessoire n° 10)
- Ⓚ Orifice du conduit
- Ⓛ Tuyauterie de conduit
- Ⓜ Carte contrôleur
- Ⓝ Conduit de câblage à 2 dérivation (à acheter sur place)

⚠ Précaution :

- Lors de l'installation de la plaque de conduit Ⓙ, ne découpez que les orifices défonçables qui sont nécessaires au câblage Ⓑ.

Découper des orifices défonçables inutiles pourrait provoquer des dégâts en raison de l'invasion de petites créatures ou autres.

- Lors de la découpe des orifices défonçables sur la plaque de conduit, veillez à n'engendrer aucune déformation ni distorsion sur la plaque.

En outre, lors de l'installation de la plaque de conduit, veillez à ce qu'il n'y ait aucun intervalle entre la plaque et les tuyauteries ou les orifices de conduit, sans quoi cela pourrait provoquer une panne de la carte contrôleur en raison de l'invasion de petites créatures ou autres. (Fig. 8-6)

- Pour diviser les câblages de chaque bornier en 2 dérivation à l'extérieur du boîtier de dérivation, utilisez des conduits de câblage à 2 dérivation Ⓝ. (Fig. 8-7)

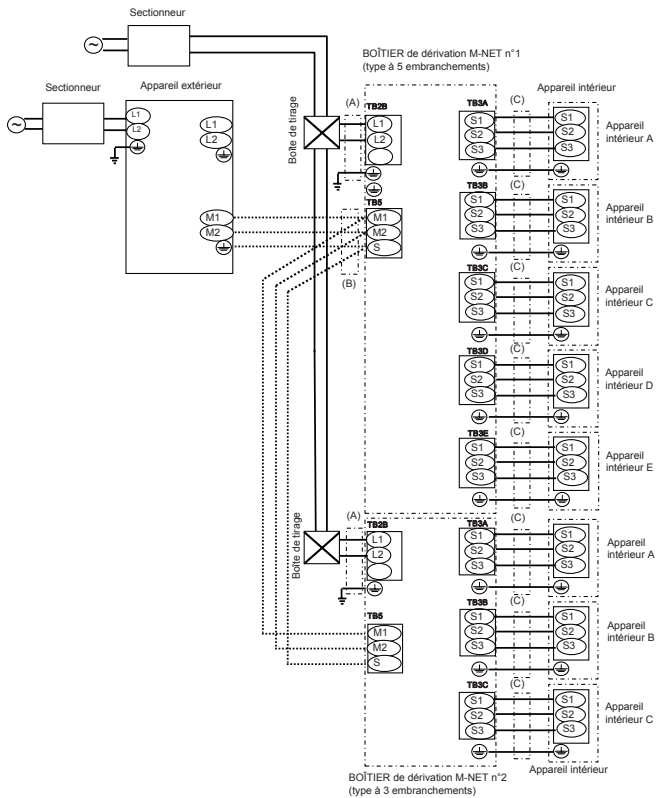
⚠ Précaution :

Pour éviter un effort excessif sur le boîtier de dérivation, soutenez les tuyaux de conduit Ⓛ avec un ou deux support(s) de 1,5 m [5 pi], ou moins, depuis le boîtier de dérivation.

Reportez-vous à la Fig. 8-8 comme exemple.

8. Installations électriques

■ Fournir l'alimentation séparément au boîtier de dérivation et à l'unité extérieure



8.2. Procédure de câblage externe (Fig. 8-9)

■ Alimentation pour appareil extérieur

* Reportez-vous au manuel d'installation de l'appareil extérieur.

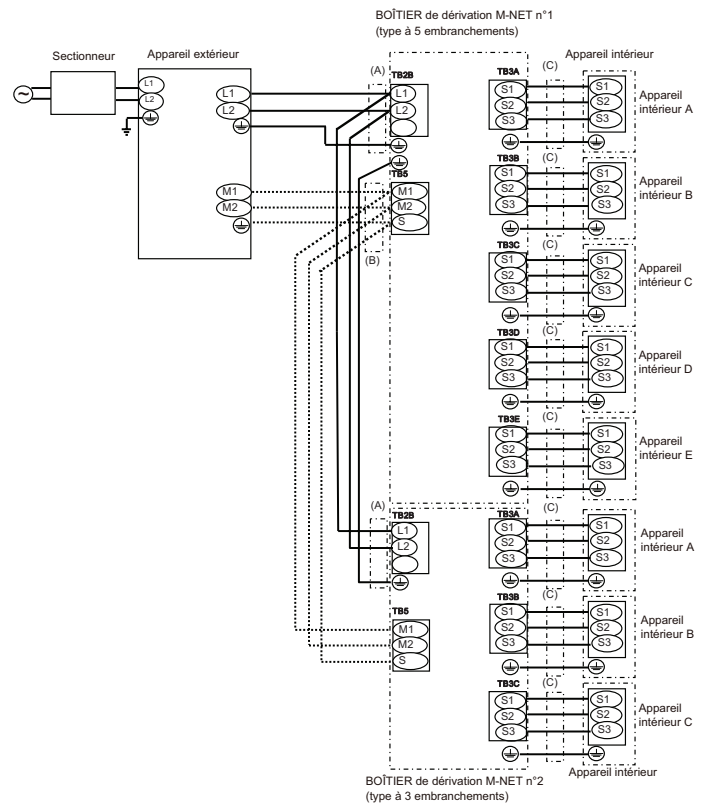


Fig. 8-9

Remarque :

- ① Raccordez le câblage conformément au nom du bornier pour assurer une polarité correcte.
- ② En ce qui concerne les lignes (C), S1 et S2 permettent de raccorder la source d'alimentation. Et S2 et S3 sont destinées aux signaux. S2 est un câble commun pour la source d'alimentation et le signal.

Diamètre du fil		
(A) Ligne d'alimentation principale/ Ligne de mise à la terre	(B) Câble M-NET câble de blindage CVVS ou CPEVS	(C) Ligne des signaux/ Ligne de mise à la terre
2,1 mm ² (AWG14)	1,25 mm ² (AWG16) Moins de 200 m [656 pi]	1,25 mm ² (AWG16) Moins de 25 m [82 pi]

- ③ En cas d'utilisation d'un câble torsadé pour le câblage, il est nécessaire d'utiliser une borne circulaire.
- ④ La taille du câblage doit correspondre aux codes locaux et nationaux en vigueur.
- ⑤ Les cordons d'alimentation et de raccordement de l'appareil intérieur, du boîtier de dérivation et de l'appareil extérieur ne doivent pas être plus légers qu'un cordon flexible à gainage en polychloroprène. (Norme 60245 IEC 57)
- ⑥ Installez une ligne de mise à la terre plus longue que les câbles d'alimentation.
- ⑦ N'attachez pas le câble M-NET au câble de connexion et au câble d'alimentation. Cela pourrait entraîner un dysfonctionnement.
- ⑧ Méthode de connexion recommandée
Lors du raccordement d'un appareil intérieur au boîtier de dérivation, raccordez-le sur TB3A. Lors du raccordement de 2 appareils intérieurs, raccordez-les sur TB3A et TB3B. Lors du raccordement de 3 appareils intérieurs, raccordez-les sur TB3A, TB3B et TB3C. Raccordez les appareils intérieurs dans l'ordre A→B→C→D→E.

⚠ Avertissement :

Ne faites jamais d'épissure au niveau du câble car cela pourrait provoquer l'apparition de fumée, d'un incendie ou une panne de communication.

8. Installations électriques

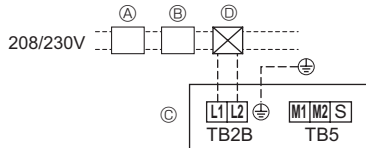


Fig. 8-10

■ Câblage de l'alimentation (Fournissez l'alimentation séparément au boîtier de dérivation et à l'appareil extérieur.)

- Installez un conducteur de terre plus long que les autres câbles.
- Les cordons d'alimentation de l'appareil ne doivent pas être plus légers que décrit dans les normes 245IEC57 ou 227IEC57, 245 IEC 53 ou 227 IEC 53.
- Un commutateur avec séparation de contact d'au moins 3 mm, 1/8 pouce, dans chaque pôle doit être assuré par l'installation du climatiseur.

[Fig. 8-10]

- Ⓐ Disjoncteur de fuite à la terre
- Ⓑ Commutateur local/disjoncteur
- Ⓒ Boîtier de dérivation
- Ⓓ Boîte de tirage

Courant de fonctionnement total de l'appareil intérieur	Épaisseur minimum du câble (mm ² /AWG)			Capacité (A)	FUSIBLE (A)	Disjoncteur de câblage (NFB)	Disjoncteur de fuite à la terre *1
	Câble principal	Dérivation	Terre				
F0 = 15 A ou moins *2	2,1/14	2,1/14	2,1/14	15	15	15	Sensibilité au courant 15 A *3
F0 = 20 A ou moins *2	3,3/12	3,3/12	3,3/12	20	20	20	Sensibilité au courant 20 A *3
F0 = 30 A ou moins *2	5,3/10	5,3/10	5,3/10	30	30	30	Sensibilité au courant 30 A *3

Appliquez à IEC61000-3-3 environ l'impédance max. de système autorisée.

*1 Le disjoncteur de fuite à la terre doit prendre en charge le circuit onduleur.

Le disjoncteur de fuite à la terre doit se combiner à l'utilisation du commutateur local ou du disjoncteur.

*2 Prenez la plus grande des valeurs entre F1 et F2 comme valeur pour F0.

F1 = Courant total maximum de fonctionnement des appareils extérieurs × 1,2

F2 = (V1/C)

Appareil intérieur		V1	V2
Type 1	SEZ-KD•NA, PLA-A•BA PLA-A•EA	19,8	2,4
Type 2	PEAD-A•AA5, MVZ-A•AA	26,9	
Type 3	MSZ-FE•NA	9,9	
Type 4	MSZ-EF•NA, MSZ-FH•NA(2) MSZ-GE•NA	6,8	
Type 5	SLZ-KA•NA	3,5	
Type 6	MFZ-KA•NA	16,2	
Type 7	MSZ-GL•NA, MFZ-KJ•NA	7,4	
Type 8	Boîtier de dérivation (PAC-MKA•BC)	5,1	

C : Multiple du courant de déclenchement au temps de déclenchement 0,01 s

Prenez "C" dans les caractéristiques de déclenchement du disjoncteur.

Condition : Boîtier de dérivation × 2 + SEZ-KD•NA × 5, C=8 (Reportez-vous au graphique d'exemple de droite.)

F2 = 5,1 × 2/8 + 19,8 × 5/8

= 13,65

→ Disjoncteur 16 A (Courant de déclenchement = 8 × 16 A à 0,01 s)

*3 La sensibilité au courant est calculée selon la formule suivante.

G1 = V2 + V3 × (longueur du câble [km])

G1	Sensibilité au courant
30 ou moins	30 mA 0,1 sec ou moins
100 ou moins	100 mA 0,1 sec ou moins

Épaisseur du fil (mm ² /AWG)	V3
2,1/14	48
3,3/12	56
5,3/10	66

⚠ Avertissement :

Dans le cas d'un câblage de contrôle A, il est possible que la borne S3 reçoive une tension élevée en raison du schéma du circuit électrique qui ne présente aucune isolation électrique entre le câble d'alimentation et les câbles de signaux de communication. Par conséquent, veuillez couper l'alimentation principale pendant l'entretien. Et ne touchez pas aux bornes S1, S2, S3 lorsque le circuit est alimenté. Si vous devez utiliser un isolateur, utilisez un type dipolaire entre l'appareil extérieur et le boîtier de dérivation, et un type tripolaire entre le boîtier de dérivation et l'appareil intérieur.

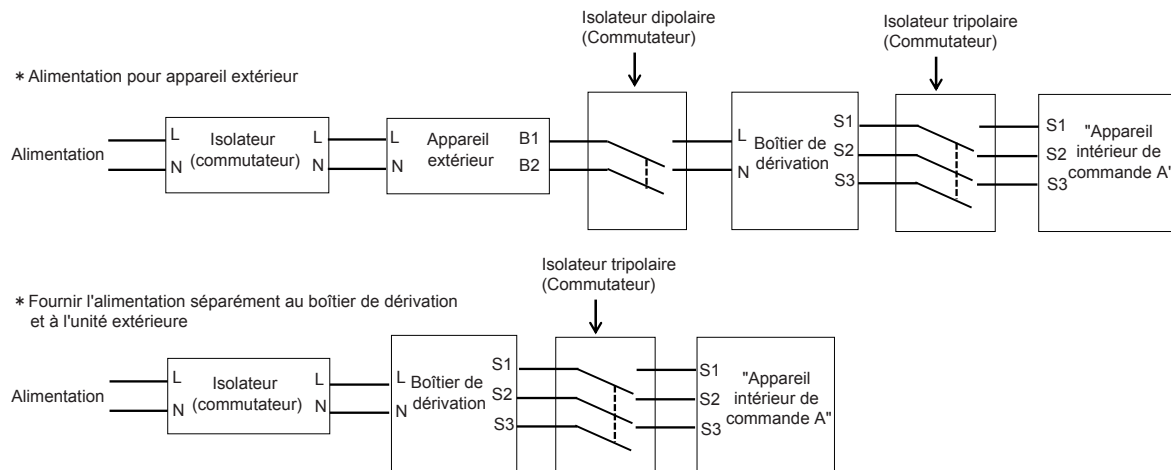
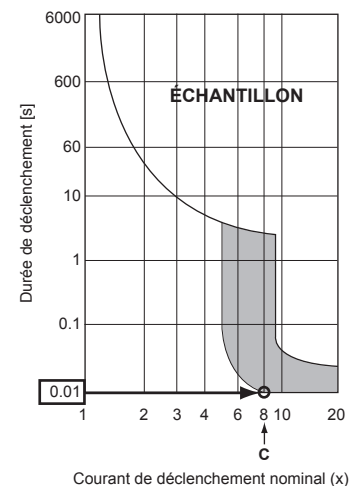


Diagramme d'échantillon

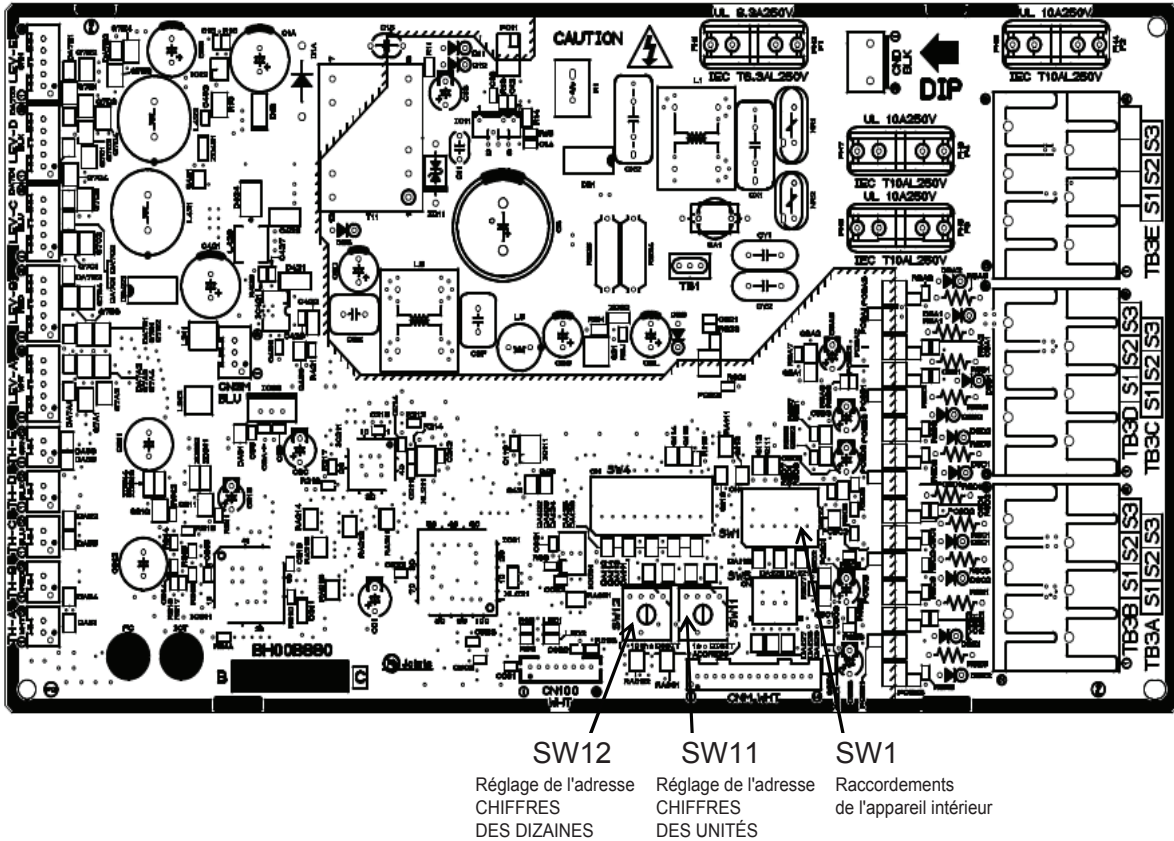


⚠ Précaution :

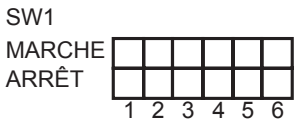
Après avoir utilisé l'isolateur, veuillez à couper puis à remettre l'alimentation principale afin de réinitialiser le système. Sinon, l'appareil extérieur pourrait ne pas détecter le(s) boîtier(s) de dérivation ou les appareils intérieurs.

8. Installations électriques

8.3. Réglage des commutateurs



Réglage des commutateurs DIP (efficace uniquement avant la mise sous tension)



(Exemple)
 • Lorsque les appareils intérieurs sont raccordés à l'appareil extérieur A et C, mettez SW1-1 et SW1-3 sur marche.

			ARRÊT	MARCHE
SW1	1	Appareil intérieur A	Non raccordé	Raccordé
	2	Appareil intérieur B	Non raccordé	Raccordé
	3	Appareil intérieur C	Non raccordé	Raccordé
	4	Appareil intérieur D	Non raccordé	Raccordé
	5	Appareil intérieur E	Non raccordé	Raccordé
	6	Non utilisé		

Commutateur d'adresse (efficace uniquement avant la mise sous tension)

Le réglage réel de l'adresse de l'appareil intérieur varie en fonction des différents systèmes. Consultez le manuel d'installation de l'appareil extérieur pour en savoir plus sur la méthode de réglage de l'adresse.

Chaque adresse est réglée avec une combinaison de réglages pour les dizaines et une autre pour les appareils.

(Exemple)

- Lors du réglage des adresses sur "3", réglez le chiffre des unités sur 3, et celui des dizaines sur 0.
- Lors du réglage des adresses sur "25", réglez le chiffre des unités sur 5, et celui des dizaines sur 2.

(Exemple)

- Si vous réglez l'adresse du BOÎTIER de dérivation sur "3", une adresse est attribuée à chaque appareil intérieur en commençant par l'appareil A, comme indiqué ci-dessous, même si chaque appareil intérieur est raccordé. (SW1-1-5 MARCHE)

Appareil intérieur A Adresse 3
 Appareil intérieur B Adresse 4
 Appareil intérieur C Adresse 5
 Appareil intérieur D Adresse 6
 Appareil intérieur E Adresse 7

- Si l'adresse est réglée sur "25" et que 3 appareils intérieurs sont également raccordés (appareil A, appareil C et appareil E). (SW1-1, 1-3, 1-5 MARCHE)
 Appareil intérieur A Adresse 25
 Appareil intérieur C Adresse 26
 Appareil intérieur E Adresse 27

9. Marche d'essai

- Reportez-vous à la section "Marche d'essai" du manuel d'installation des appareils extérieur et intérieurs.
- Lorsque le boîtier de dérivation et une source d'alimentation extérieure sont séparés, mettez d'abord sous tension le boîtier de dérivation, puis l'appareil extérieur.

• Une fois sous tension ou après un arrêt prolongé, un cliquetis provenant de l'intérieur du boîtier de dérivation se fait entendre. Le détendeur électronique s'ouvre et se ferme. L'appareil n'est pas défectueux.

- Veillez à effectuer un essai de fonctionnement en mode de refroidissement pour chaque appareil intérieur. Assurez-vous que chaque appareil intérieur fonctionne correctement en suivant le manuel d'installation fourni avec l'appareil.
- Si l'essai est réalisé simultanément pour tous les appareils intérieurs, il est impossible de détecter les mauvais raccordements, le cas échéant, des tuyaux de réfrigérant et des fils de raccordement des appareils extérieur/intérieurs.
- Pour vérifier toute erreur de câblage, effectuer un essai de fonctionnement pour chaque appareil intérieur individuellement.

⚠ Précaution :

- **Utilisez la télécommande pour actionner l'appareil intérieur.**
- **Les symptômes suivants ne sont pas des dysfonctionnements.**

Symptôme	Cause	Affichage des LED de l'appareil intérieur *
L'appareil intérieur ne fonctionne pas, même s'il est réglé sur refroidissement (chauffage).	Le refroidissement (chauffage) ne peut pas fonctionner si le chauffage (refroidissement) d'un autre appareil intérieur fonctionne.	Veille (pour système multiple)
Le ventilateur de l'appareil intérieur s'arrête pendant le chauffage.	Le ventilateur s'arrête pendant le dégivrage.	-
	Le ventilateur s'arrête lorsque le mode de collecte du réfrigérant ** est activé.	Veille (pour système multiple)

* Reportez-vous au mode d'emploi des appareils intérieurs pour plus de détails.

** Le mode est activé pendant environ 1 minute pour éviter d'avoir un afflux insuffisant de réfrigérant pendant le chauffage lorsque le réfrigérant est stocké dans un appareil intérieur qui a été mis hors tension ou désactivé thermiquement.

Contenido

1. Medidas de seguridad.....	26	5. Tubos de refrigerante	30
2. Selección del lugar de instalación.....	26	6. Montaje de la caja de derivación	31
3. Confirmación de los accesorios suministrados.....	27	7. Instalación de los tubos de refrigerante	31
4. Dimensiones y espacio requerido para mantenimiento y reparación de la caja de derivación.....	27	8. Trabajo eléctrico	33
		9. Prueba de funcionamiento	37

El presente manual de instalación sirve sólo para la instalación de la caja de derivación. Para instalar las unidades interiores y unidades exteriores, consulte el manual de instalación que se suministra con cada unidad.

1. Medidas de seguridad

- ▶ Antes de instalar la unidad, asegúrese de haber leído en su totalidad el capítulo de "Medidas de seguridad".
- ▶ Antes de conectar el sistema, informe al servicio de suministro o pídale permiso para efectuar la conexión.

⚠ Atención:

Describe las precauciones que deben tenerse en cuenta para evitar el riesgo de lesiones o muerte del usuario.

⚠ Cuidado:

Describe las precauciones que deben tenerse en cuenta para evitar daños en la unidad.

⚠ Atención:

- La instalación del aire acondicionado debe correr a cargo de un distribuidor o técnico autorizado.
- Para la instalación, siga las instrucciones del Manual de instalación y utilice las herramientas y piezas de fontanería específicamente diseñadas para utilizar con el refrigerante especificado en el manual de instalación de la unidad exterior.
- La unidad debe instalarse según las instrucciones para reducir posibles daños en caso de terremoto, huracán o vientos fuertes. Si no se instala correctamente, la unidad podría caerse y provocar daños o lesiones. La unidad debe instalarse firmemente sobre una estructura capaz de soportar su peso.
- Si el equipo de aire acondicionado se instala en una sala pequeña, deberán adoptarse medidas para evitar que la concentración de refrigerante exceda los límites de seguridad en caso de fugas. Si se produce una fuga de refrigerante que sobrepase los límites de concentración, la estancia en la sala puede ser peligrosa por falta de oxígeno.
- Si se produce una fuga de refrigerante durante el funcionamiento, ventile la sala. Si el refrigerante entra en contacto con una llama, se desprenderán gases nocivos.
- Todas las conexiones eléctricas deben ser realizadas por un técnico cualificado según la normativa local y las instrucciones de este manual.
- Utilice solo cables especificados para el cableado.
- El panel de la cubierta del bloque de terminales de la unidad debe colocarse firmemente.
- Utilice solo accesorios autorizados por Mitsubishi Electric y pida a su distribuidor o a un técnico autorizado que se los instale.
- El usuario nunca debe intentar reparar la unidad o moverla de sitio.
- Tras haber realizado la instalación, compruebe si hay fugas de refrigerante. Si en caso de fuga, el refrigerante entra en contacto con las llamas de un calentador o de un equipo de cocina portátil, se desprenderán gases nocivos.
- Asegúrese de conectar los cables de alimentación eléctrica y los cables de conexión de las unidades interiores, unidades exteriores y cajas de derivación directamente a las unidades (sin ninguna conexión intermedia). Las conexiones intermedias pueden producir errores de comunicación en caso de que el agua penetre en los cables de conexión y, por consiguiente, provoque un aislamiento a tierra insuficiente o un contacto eléctrico débil en el punto de conexión intermedio.
(Si la conexión intermedia es necesaria, adopte las medidas oportunas para evitar que el agua penetre en los cables.)

2. Selección del lugar de instalación

* La caja de derivación es solo para uso en interiores.

Para instalar la caja de derivación en el exterior, utilice la cubierta especial opcional (PAC-AK350CVR-E).

- Asegúrese de que la caja de derivación se instale en un lugar que facilite su acceso para reparación y mantenimiento. (Asegúrese de que el orificio de mantenimiento esté accesible y de que haya espacio suficiente para realizar estas tareas.)

- A efectos de mantenimiento, asegúrese de que la caja de derivación se instale encima del techo del pasillo, cuarto de baño, etc., es decir, en lugares donde la gente no permanezca mucho tiempo. No la instale cerca de dormitorios, salones, etc. En ocasiones, puede llegar a oírse el sonido del refrigerante fluyendo por las tuberías. Tampoco la instale en lugares donde no puedan llevarse a cabo las pertinentes labores de mantenimiento.
- Asegúrese de que se instale en un lugar donde el ruido del aparato no moleste.

Después de terminar la instalación, explique las "Medidas de Seguridad", el funcionamiento y el mantenimiento de la unidad al cliente según la información indicada en el Manual de instrucciones y realice una prueba para asegurarse de que funciona correctamente. Entregue una copia del Manual de instalación y del Manual de instrucciones al usuario. Estos manuales deben pasar a usuarios posteriores del equipo.



Indica una pieza que debe estar conectada a tierra.

⚠ Atención:

Lea atentamente las etiquetas adheridas a la unidad principal.

⚠ Cuidado:

- Asegúrese de que los tubos de refrigerante estén bien aislados para evitar la condensación. Si el aislamiento no es total, se puede producir condensación en la superficie de los tubos, humedad en el techo y en el suelo, y afectar a otros objetos.
- No utilice la unidad en un ambiente enrarecido. Si instala el aire acondicionado en áreas expuestas al vapor, aceite volátil (incluyendo el aceite para máquinas) o gas sulfuroso, o en áreas con alto contenido en sal como playas, el rendimiento puede verse reducido significativamente y las piezas internas pueden dañarse.
- No instale la unidad en un lugar donde se puedan verter, producir, circular o acumular gases inflamables. Si se acumula gas inflamable en zonas próximas a la unidad, se podría producir un incendio o una explosión.
- Si instala la unidad en un hospital o en un centro de comunicaciones, recuerde que la unidad produce ruidos e interferencias electrónicas. Los conmutadores, aparatos domésticos, equipos médicos de alta frecuencia y equipos de comunicación por radio pueden provocar un mal funcionamiento o la avería del equipo de aire acondicionado. El equipo de aire acondicionado también puede afectar a los equipos médicos e interrumpir los cuidados médicos, así como a los equipos de comunicación y dañar la calidad de visualización de la pantalla.
- El tubo de refrigerante debe estar aislado térmicamente para evitar la condensación. Si el tubo de refrigerante no se aísla correctamente, se formará condensación.
- Coloque material aislante térmico en las tuberías para evitar la condensación. Si el tubo de drenaje no se instala correctamente, se puede producir un escape de agua o daños en el techo, suelo, muebles u otros objetos.
- No limpie con agua el equipo de aire acondicionado. Puede sufrir una descarga eléctrica.
- Apriete todas las tuercas de abocardado a los niveles especificados mediante una llave dinamométrica. Si las aprieta demasiado, se pueden romper el cabo de un tiempo.
- Asegúrese de instalar disyuntores. Si no se instalan, podría producirse una descarga eléctrica.
- Utilice cables estándar de suficiente capacidad para las líneas eléctricas. De lo contrario, podría producirse un cortocircuito, un sobrecalentamiento o un incendio.
- Cuando instale las líneas eléctricas, no tense los cables. Si las conexiones se sueltan, los cables pueden partirse o romperse y provocar un sobrecalentamiento o un incendio.
- No conecte los cables de tierra a tuberías de agua o gas, pararrayos o líneas telefónicas de puesta a tierra. Si la unidad no está correctamente conectada a tierra, podría producirse una descarga eléctrica.
- No desconecte el disyuntor de la caja de derivación M-NET cuando instale la unidad a una temperatura por debajo de -20 °C (-4 °F), ya que podría producirse un error de comunicación.

Después de conectar la corriente o cuando se apaga el aparato durante un momento, puede que se oiga un pequeño "clic" en el interior de la caja de derivación. La válvula de expansión electrónica se está abriendo y cerrando. La unidad no está averiada.

- Determine previamente el recorrido de los tubos de refrigerante y el cableado eléctrico.
- Asegúrese de que el lugar de instalación tenga suficiente espacio para que la longitud de los tubos del refrigerante se encuentre dentro de los límites especificados.

* No la instale en un lugar que tenga humedad o esté expuesta a temperaturas muy altas durante largos períodos de tiempo.

* Asegúrese de que la unidad se instale en un lugar que aguante su peso.

⚠ Atención:

Asegúrese de que la unidad se instale firmemente en un lugar que aguante su peso. Si la instalación no tiene suficiente resistencia, la unidad se podría caer con el riesgo de provocar lesiones a terceros.

3. Confirmación de los accesorios suministrados

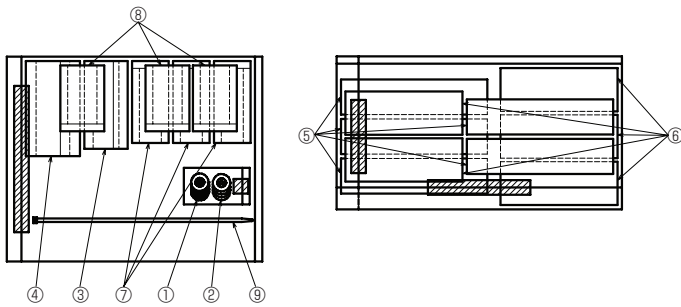


Fig. 3-1

3.1. Compruebe las piezas y accesorios de la caja de derivación

Nº	Nombre del accesorio	Cantidad		Observaciones
		PAC-MKA31BC	PAC-MKA51BC	
①	Arandela (con aislamiento)	4	4	
②	Arandela	4	4	
③	Cubierta de la tubería (líquido)	1	1	A la unidad exterior
④	Cubierta de la tubería (gas)	1	1	A la unidad exterior
⑤	Cubierta de la tubería (líquido)	3	5	A las unidades interiores
⑥	Cubierta de la tubería (gas)	3	5	A las unidades interiores
⑦	Cubierta de la unión (líquido)	1	3	
⑧	Cubierta de la unión (gas)	1	3	
⑨	Cinta	16	24	
⑩	Placa de conducto	1	1	Fijada al cuerpo principal y enviada.

4. Dimensiones y espacio requerido para mantenimiento y reparación de la caja de derivación

Juntas opcionales de diámetro diferente (deformadas)

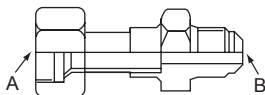


Fig. 4-1

Nombre del modelo	Diámetro de los tubos conectados	Diámetro A	Diámetro B
	pulgadas, mm		
MAC-A454JP	3/8, ø9,52 → 1/2, ø12,7	3/8, ø9,52	1/2, ø12,7
MAC-A455JP	1/2, ø12,7 → 3/8, ø9,52	1/2, ø12,7	3/8, ø9,52
MAC-A456JP	1/2, ø12,7 → 5/8, ø15,88	1/2, ø12,7	5/8, ø15,88
PAC-493PI	1/4, ø6,35 → 3/8, ø9,52	1/4, ø6,35	3/8, ø9,52
PAC-SG76RJ-E	3/8, ø9,52 → 5/8, ø15,88	3/8, ø9,52	5/8, ø15,88
PAC-SG75RJ-E	5/8, ø15,88 → 3/4, ø19,05	5/8, ø15,88	3/4, ø19,05

- * Conecte 2 unidades interiores o más con 1 sistema.
- * Se pueden conectar hasta 2 cajas de derivación a 1 unidad exterior.
- * Perno de suspensión: W3/8 (M10)
- * Conexión abocardada del tubo de refrigerante

* El tamaño de la conexión de los tubos varía en función del tipo y la capacidad de las unidades interiores. Haga que coincida el tamaño de la conexión de los tubos de la unidad interior y de la caja de derivación. Si el tamaño de la conexión de los tubos de la caja de derivación no coincide con el tamaño de la conexión de los tubos de la unidad interior, utilice juntas opcionales de diámetro diferente (deformadas) en el lateral de la caja de derivación. (Conecte la junta deformada directamente al lateral de la caja de derivación.)

- Ⓐ Paso del perno de suspensión
- Ⓑ A la unidad interior
- Ⓒ A la unidad exterior
- Ⓓ Panel de servicio
- Ⓔ Cubierta eléctrica
- Ⓕ Placa de conducto
- Ⓖ Bloque de terminales (a la unidad interior en la placa de control)
- Ⓗ Bloque de terminales (a la unidad exterior)
- Ⓘ Bloque de terminales (para el cable de comunicación)

■ PAC-MKA51BC (de tipo 5 derivaciones)

(pulgadas)

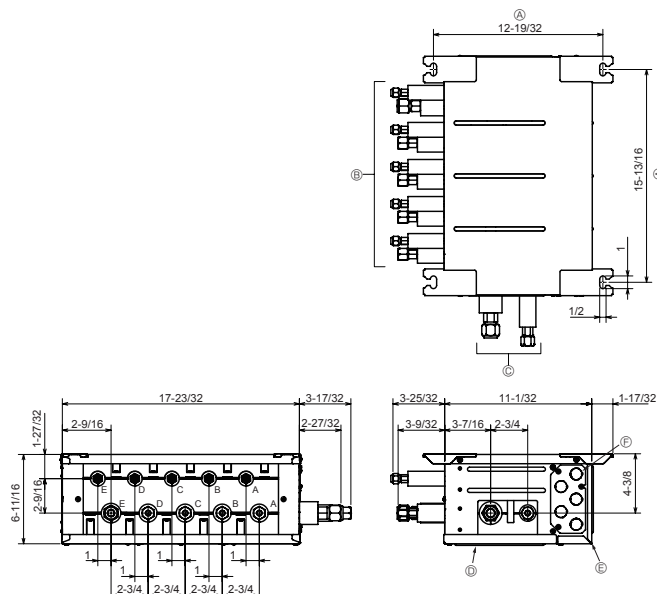


Fig. 4-2

■ PAC-MKA51BC (Fig. 4-2)

Perno de suspensión: W3/8 (M10)

Conexión abocardada del tubo de refrigerante

pulgadas, mm

	A la unidad interior					A la unidad exterior
	A	B	C	D	E	
Tubo de líquido	1/4, ø6,35	1/4, ø6,35	1/4, ø6,35	1/4, ø6,35	1/4, ø6,35	3/8, ø9,52
Tubo de gas	3/8, ø9,52	3/8, ø9,52	3/8, ø9,52	3/8, ø9,52	1/2, ø12,7	5/8, ø15,88

Fórmula de conversión

1/4 F	ø 6,35
3/8 F	ø 9,52
1/2 F	ø 12,7
5/8 F	ø 15,88
3/4 F	ø 19,05

4. Dimensiones y espacio requerido para mantenimiento y reparación de la caja de derivación

■ PAC-MKA31BC (de tipo 3 derivaciones)

(pulgadas)

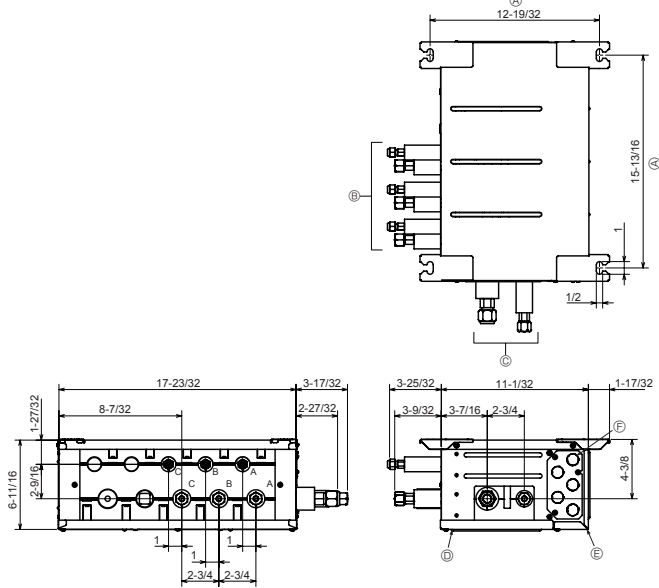


Fig. 4-3

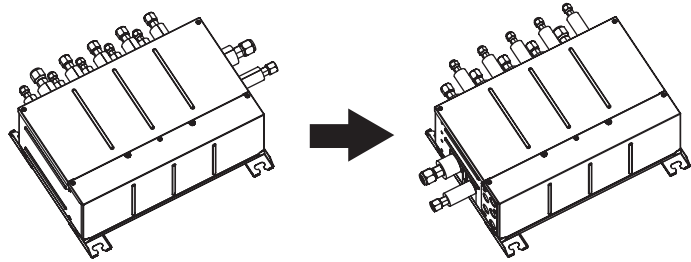


Fig. 4-4

① Retire los tornillos de cada una de las partes.

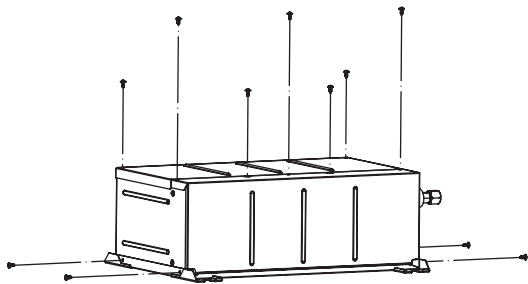


Fig. 4-5

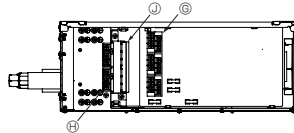
■ PAC-MKA31BC (Fig. 4-3)

Perno de suspensión: W3/8 (M10)

Conexión abocardada del tubo de refrigerante

pulgadas, mm

	A la unidad interior			A la unidad exterior
	A	B	C	
Tubo de líquido	1/4, ø6,35	1/4, ø6,35	1/4, ø6,35	3/8, ø9,52
Tubo de gas	3/8, ø9,52	3/8, ø9,52	3/8, ø9,52	5/8, ø15,88



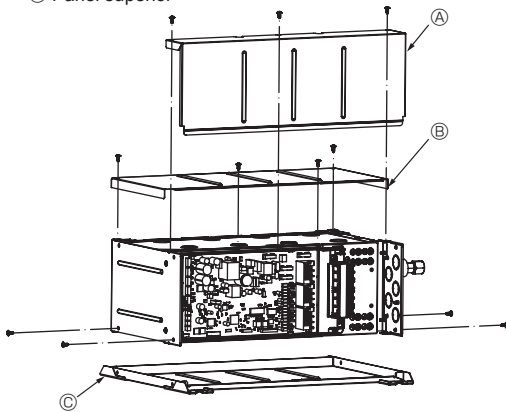
4.1. La dirección de los tubos puede cambiarse.
(Fig. 4-4).

4.2. Procedimientos de trabajo para el cambio de dirección
de los tubos (Fig. 4-5 ①~⑧)

4. Dimensiones y espacio requerido para mantenimiento y reparación de la caja de derivación

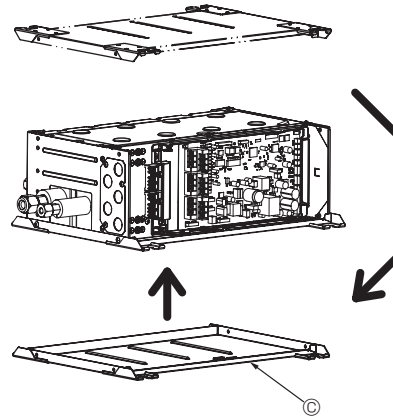
② Retire la cubierta eléctrica, el panel de servicio y el panel superior.

- Ⓐ Cubierta eléctrica
- Ⓑ Panel de servicio
- Ⓒ Panel superior

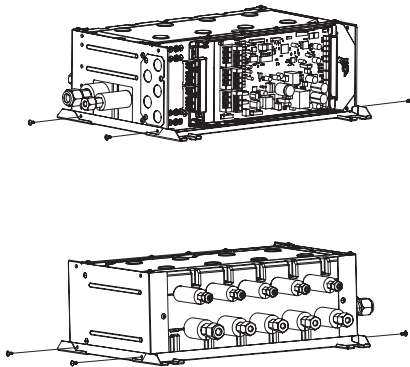


③ Instale el panel superior en la superficie opuesta.

- Ⓒ Panel superior

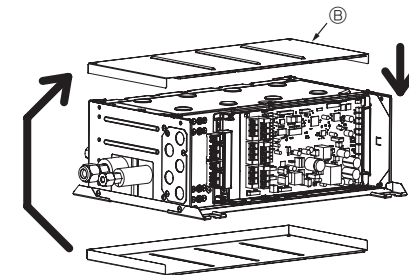


④ Apriete los tornillos de cada una de las partes.

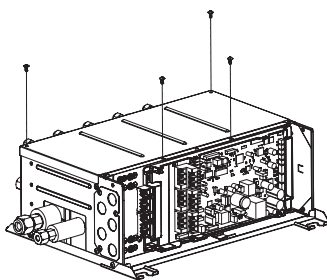


⑤ Instale el panel de servicio en la superficie opuesta.

- Ⓑ Panel de servicio

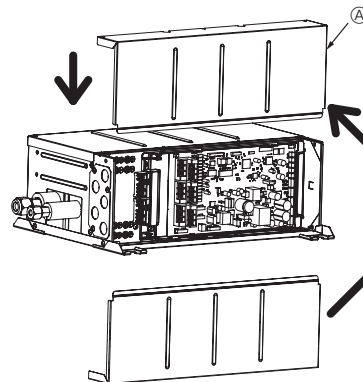


⑥ Apriete los tornillos de cada una de las partes.



⑦ Instale la cubierta eléctrica en la superficie opuesta.

- Ⓐ Cubierta eléctrica



⑧ Apriete los tornillos de cada una de las partes.

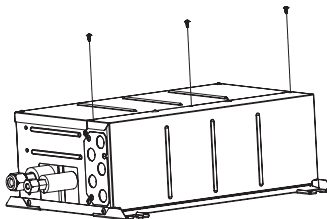


Fig. 4-5

4. Dimensiones y espacio requerido para mantenimiento y reparación de la caja de derivación

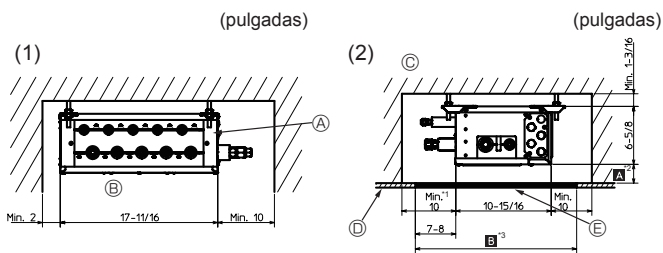


Fig. 4-6

Fig. 4-7

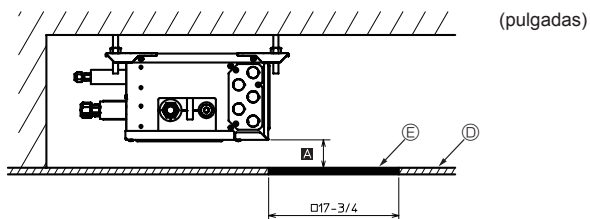


Fig. 4-8

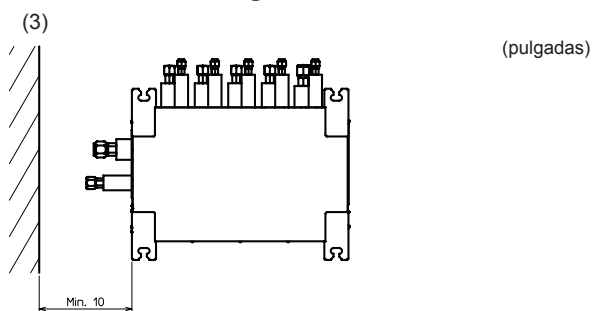


Fig. 4-9

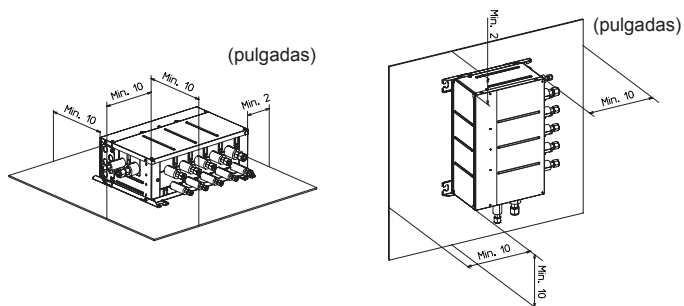


Fig. 4-10

Fig. 4-11

4.3. Espacio requerido para instalación y mantenimiento

I. Espacio al realizar la instalación con los pernos de suspensión.

- (1) Vista frontal (Fig. 4-6)
 A Caja de derivación
 B Del lado de las tuberías
 (2) Vista lateral (Fig. 4-7, Fig. 4-8)
 C Para instalaciones interiores
 D Panel de techo
 E Orificio de mantenimiento

*1: Para las encorvaduras de 90° en las tuberías de refrigerante se necesita un mínimo de 13-3/4 pulgadas (350 mm).

*2: **A** es "Mín. 7-7/8 pulgadas (200 mm)" <recomendado>.

En caso de que sea inferior a 7-7/8 pulgadas (200 mm) (por ejemplo, si **A** es 4 pulgadas [100 mm]), los trabajos de intercambio de la caja de derivación desde un orificio de mantenimiento resultan difíciles (solo es posible realizar trabajos de intercambio de una PCB, bobinas de la válvula de expansión lineal y sensores).

*3: **B** es "□ 23-5/8 pulgadas (600 mm)" <recomendado>.

En el caso de "□ 17-3/4 pulgadas (450 mm)", debe prepararse un orificio de mantenimiento en el lado de la PCB (tal y como se muestra en la Fig. 4-8), y se necesitará "Mín. 11-13/16 pulgadas (300 mm)" como distancia **A**.

En caso de que sea inferior a 11-13/16 pulgadas (300 mm) (por ejemplo, si **A** es 4 pulgadas [100 mm]), los trabajos de intercambio de la caja de derivación, bobinas de la válvula de expansión lineal y sensores desde el orificio de mantenimiento resultarán difíciles (solo es posible realizar trabajos de intercambio de una PCB).

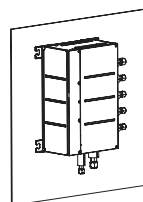
- (3) Vista superior (Fig. 4-9)

II. Espacio requerido al instalar en el suelo. (Fig. 4-10)

III. Espacio requerido al instalar en una pared. (Fig. 4-11)

⚠ Atención:

La dirección de instalación está limitada cuando se instala en una pared. (Fig. 4-12)



Dirección correcta de instalación

Cuando la unidad se instale en una pared, instale hacia abajo los tubos conectados a la unidad exterior. Otras formas de instalación no son aceptables.



Cuando se instale en la pared, no coloque el dispositivo de la forma que se indica a continuación, ya que podría producirse una descarga eléctrica o un incendio.

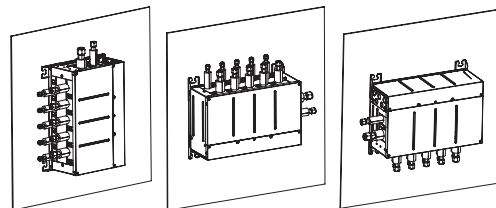


Fig. 4-12

5. Tubos de refrigerante

* Cumpla sistemáticamente con las especificaciones que figuran en el manual de instalación de la unidad exterior. Si sobrepasa las especificaciones indicadas, puede que disminuya el rendimiento del equipo y no funcione correctamente.

6. Montaje de la caja de derivación

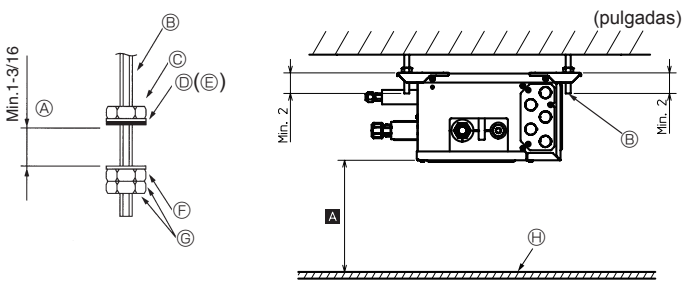


Fig. 6-1

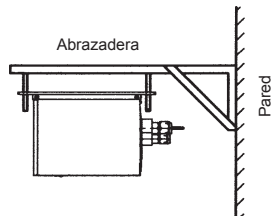


Fig. 6-2

* En caso de montar la unidad en una pared, deberá adquirir un soporte adecuado.

- (1) Instale los pernos de suspensión (adquiridos localmente) con la separación especificada (Fig. 4-2, 4-3).
- (2) Fije las arandelas (①, ②) y tuercas (adquiridas localmente) a los pernos de suspensión. (Fig. 6-1)
- (3) Cuelgue la unidad de los pernos de suspensión.
- (4) Apriete completamente las tuercas (compruebe la altura del techo).
- (5) Utilice un nivel para alinear la caja de derivación horizontalmente.

- Ⓐ Cuando la unidad esté colgada y las tuercas apretadas
- Ⓑ Perno de suspensión
- Ⓒ Tuerca (adquirida localmente)
- Ⓓ Arandela (con cojinete) ①
- Ⓔ Asegúrese de que el cojinete esté hacia abajo
- Ⓕ Arandela (sin cojinete) ②
- Ⓖ Tuerca (adquirida localmente)
- Ⓗ Panel de techo

7. Instalación de los tubos de refrigerante

Dimensiones del corte abocinado

(pulgadas)

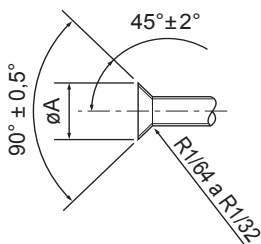


Tabla 1 (mm (pulgadas))

Diámetro exterior del tubo de cobre	Dimensiones del abocinado Dimensiones de ø A
ø6,35 (1/4)	8,7-9,1 (11/32-23/64)
ø9,52 (3/8)	12,8-13,2 (1/2-33/64)
ø12,7 (1/2)	16,2-16,6 (41/64-21/32)
ø15,88 (5/8)	19,3-19,7 (49/64-25/32)

Fig. 7-1

Par de torsión de la tuerca abocardada

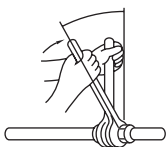


Tabla 2

Diámetro exterior del tubo de cobre (mm (pulgadas))	Diámetro exterior de la tuerca abocardada (mm (pulgadas))	Par de torsión (N*m (pie-libra))
ø6,35 (1/4)	17 (43/64)	14-18 (10-13)
ø6,35 (1/4)	22 (7/8)	34-42 (25-30)
ø9,52 (3/8)	22 (7/8)	34-42 (25-30)
ø9,52 (3/8)	26 (1-3/64)	49-61 (35-44)
ø12,7 (1/2)	26 (1-3/64)	49-61 (35-44)
ø12,7 (1/2)	29 (1-9/64)	68-82 (49-59)
ø15,88 (5/8)	29 (1-9/64)	68-82 (49-59)
ø15,88 (5/8)	36 (1-27/64)	100-120 (71-87)

Fig. 7-2

- ▶ Conecte los tubos de líquido y de gas de cada unidad interior a los mismos números de conexiones finales que se indican en la sección de conexión abocardada de la unidad interior de cada caja de derivación. Si se conecta a los números equivocados de las conexiones finales, no funcionará normalmente.
- ▶ Cuando conecte las unidades interiores, asegúrese de conectar los tubos de refrigerante y los cables de conexión a los puertos de conexión adecuados indicados con las letras correspondientes. (Ej.: A, B, C, D, E). Si se conecta a los números equivocados de las conexiones finales, no funcionará normalmente.

Nota:

Asegúrese de marcar todos los tubos de refrigerante locales (tubos de líquido, tubos de gas, etc.) de cada unidad interior designando claramente a qué habitación pertenece. (Ej.: A, B, C, D, E)

- ▶ Anote los nombres de modelo de las unidades interiores en la placa indicadora de la caja de derivación (a efectos de identificación).

- Proporcione suficiente aislamiento y protección contra la condensación para evitar goteos de agua del tubo de refrigerante (tubo de líquido/tubo de gas).
- Incremente el aislamiento en función del entorno en el que esté instalado el tubo de refrigerante, ya que podría producirse condensación en la superficie del material de aislamiento. (Resistencia al calor del material aislante: 120 °C [248 °F]; grosor: 15 mm [19/32 pulgadas] o más)
- * Cuando la tubería de refrigerante se utiliza en ubicaciones con temperaturas elevadas y altos niveles de humedad (por ejemplo, en áticos), es posible que se requiera un mayor aislamiento.
- Aísle los tubos de líquido y de gas de la caja de derivación aplicando alrededor de ellos espuma de polietileno resistente al calor. (Fig. 7-4)
- Si no lo hace, pueden producirse quemaduras durante los trabajos de conexión de los tubos, o fugas de agua debido a la condensación producida en los tubos. Si se conecta a los números equivocados de las conexiones finales, no funcionará normalmente.
- ▶ Si utiliza los tubos de refrigerante convencionales, asegúrese de que tanto los tubos de líquido como de gas están envueltos en materiales térmicos aislantes comercialmente disponibles (deben ser materiales aislantes de un espesor mínimo de 1/2 pulgadas [12 mm] y resistentes a temperaturas superiores a los 100 °C [212 °F]).
- ▶ Consulte el manual de instalación de la unidad exterior cuando quiera purgar el aire, y para abrir y cerrar las válvulas.

7.1. Procedimiento de conexión de los tubos

- (1) Retire las tuercas abocardadas y las tapas de la caja de derivación.
- (2) Proceda a abocardar los extremos de la tuberías de líquido y de gas como se indica en la Fig. 7-1.
- (3) Aplique aceite refrigerante en la superficie abocardada. (Fig. 7-3) Utilice la tuerca abocardada retirada de la caja de derivación. Si se utiliza una tuerca genérica, ésta podría resquebrajarse.
- (4) Conecte inmediatamente los tubos de refrigerante. Apriete siempre las tuercas abocardadas según la torsión que se indique en la Tabla 2; para ello, utilice una llave dinamométrica y llave doble. (Fig. 7-2)

⚠ Cuidado:

Apriete la tuerca abocardada con una llave dinamométrica según el método indicado.

Si la aprieta excesivamente puede que la tuerca se resquebraje y provoque con el tiempo una fuga de refrigerante.

7. Instalación de los tubos de refrigerante

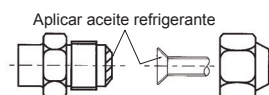


Fig. 7-3

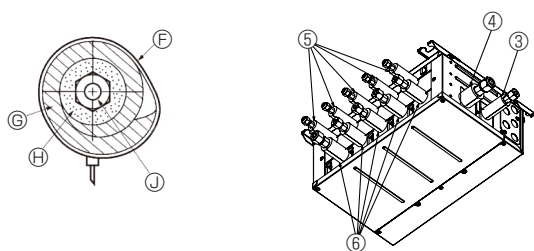


Fig. 7-4

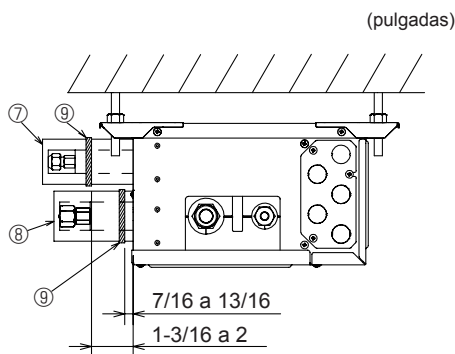


Fig. 7-5

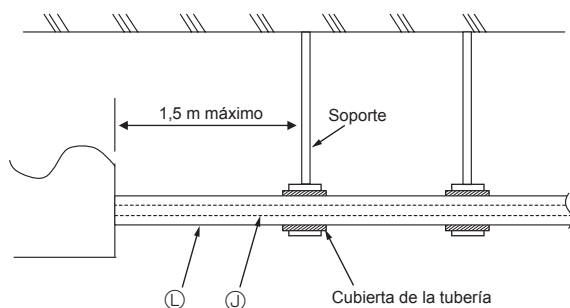


Fig. 7-6

- (5) Presione las cubiertas de los tubos ③ y ⑤ de la tubería de líquido contra la unidad y envuélvala para que se fije. (Fig. 7-4)
- (6) Presione las cubiertas de los tubos ④ y ⑥ de la tubería de gas contra la unidad y envuélvala para que se fije. (Fig. 7-4)
- (7) Aplique las cintas suministradas ⑨ en una posición de 7/16-13/16 pulgadas (10-20 mm) de cada extremo de las cubiertas de los tubos (③④⑤⑥).
- (8) Si la unidad interior no está conectada, ajuste las cubiertas de los tubos que se suministran (con las tapas, ⑦ y ⑧) en las conexiones de los tubos de refrigerante de la caja de derivación contra la unidad para evitar el goteo de condensación de los tubos. (Fig. 7-5)
- (9) Fije las cubiertas de los tubos (⑦⑧) con las cintas ⑨ suministradas.

Nota:

En algunas unidades interiores, será necesario utilizar una tuerca abocardada especial (opcional o conectada a la unidad interior). Para obtener información detallada, consulte el manual de instalación de la unidad exterior y de la unidad interior.

- Ⓣ Cinta (3.1 N° de accesorio ⑨)
- Ⓝ Cubiertas de los tubos (3.1 N° de accesorio ③④⑤⑥)
- Ⓜ Material térmico aislante para tubo de refrigerante
- Ⓛ Tubo de refrigerante

7.2. Manejo de los puertos que no están conectados a la unidad exterior (Fig. 7-5)

- (1) Para evitar fugas de refrigerante, asegúrese de que las tuercas abocardadas están apretadas según los pares* especificados en la Tabla 3.
* El refrigerante también puede salir si las tuercas se aprietan más de lo especificado en los pares.
- (2) Para evitar la condensación, instale las cubiertas de las tuberías ⑦ ⑧ contra la unidad y apríetelas con las cintas ⑨ suministradas.

Tabla 3

Diámetros de las aberturas de la caja de derivación para conectar las unidades interiores (pulgadas, mm)	Par de torsión (pie-libra, N·m)
1/4, ø6,35	8-11, 13 ± 2
3/8, ø9,52	21-24, 30 ± 2
1/2, ø12,7	35-38, 50 ± 2

► Carga de refrigerante:

Consulte el manual de instalación de la unidad exterior. Utilice solo el refrigerante R410A (la utilización de otro tipo de refrigerantes puede generar problemas).

⚠ Cuidado:

A fin de evitar una presión excesiva sobre la caja de derivación, sostenga el tubo con uno o más soportes a un máximo de 1,5 m (5 pies) de la caja de derivación.

Tome la Fig. 7-6 como referencia.

- Ⓛ Tubo de refrigerante
- Ⓜ Material térmico aislante para tubo de refrigerante

8. Trabajo eléctrico

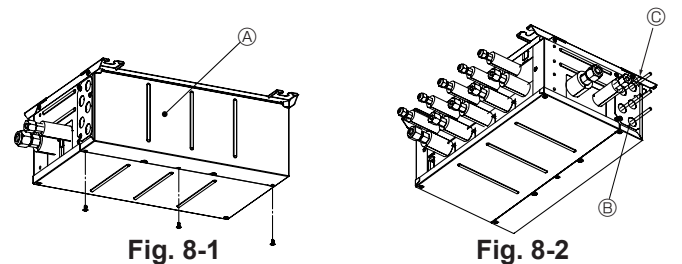


Fig. 8-1

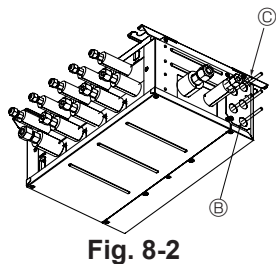
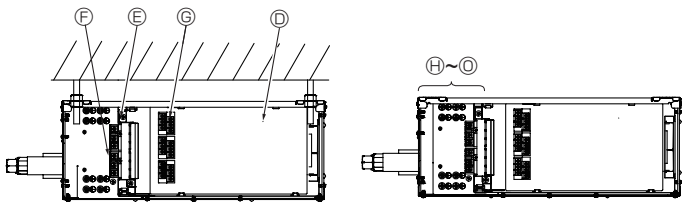


Fig. 8-2



- (A) Cubierta eléctrica
- (B) Placa de conducto
- (C) Cableado
- (D) Tarjeta controladora
- (E) Bloque de terminales: TB5
- (F) Bloque de terminales: TB2B
- (G) Bloque de terminales: TB3A-TB3E <A la unidad interior>

Fig. 8-3

- (H) Terminal de toma de tierra <Alimentación eléctrica>
- (J) Terminal de toma de tierra <Para TB3A>
- (K) Terminal de toma de tierra <Para TB3B>
- (L) Terminal de toma de tierra <Para TB3D>
- (M) Terminal de toma de tierra <Para TB3C>
- (N) Terminal de toma de tierra <Para TB3E>
- (O) Terminal de toma de tierra <A otra caja de derivación>

Fig. 8-4

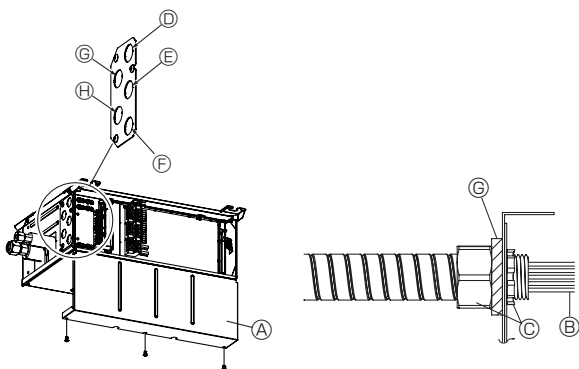


Fig. 8-5

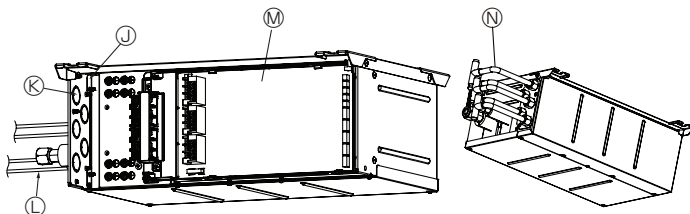


Fig. 8-6

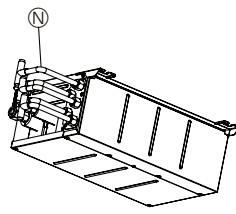


Fig. 8-7

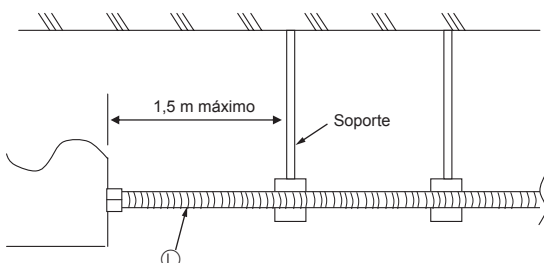


Fig. 8-8

► Precauciones con el trabajo eléctrico.

⚠ Atención:

- Utilice siempre circuitos exclusivos con disyuntores, y al voltaje nominal. Los circuitos de alimentación eléctrica que no tengan la capacidad suficiente y que no hayan sido instalados adecuadamente, pueden provocar descargas eléctricas o incendios.

⚠ Cuidado:

- Asegúrese de instalar una toma de tierra. La derivación a tierra de la unidad no debe conectarse a la red pública, pararrayos o toma a tierra de líneas telefónicas.

Una puesta a tierra incompleta puede provocar descargas eléctricas. El sobrevoltaje resultante de un rayo o de otras fuentes puede dañar el equipo de aire acondicionado.

- Utilice el cableado eléctrico que se especifica, y asegúrese de que esté conectado correctamente y no esté sujeto a una tensión inadecuada. Si no se cumplen estos requisitos, puede producirse una rotura de los cables, un exceso de calentamiento o un incendio.

- Asegúrese de configurar los interruptores antes de encender la caja de derivación.

- Cuando la caja de derivación y la unidad exterior tengan fuentes de alimentación eléctrica independientes, encienda primero la caja de derivación.

- El cableado que conecta la caja de derivación con la unidad exterior, y la caja de derivación con las unidades interiores, funciona como cable de alimentación eléctrica y como cable de señal. Conecte este cableado conforme a los números de los bloques de terminales para garantizar que la polaridad sea la correcta.

► Conecte los tubos de refrigerante y los cables eléctricos a los puertos correspondientes marcados con las letras coincidentes (Ej.: A, B, C, D, E) de esta unidad. Un cableado incorrecto interferirá en el correcto funcionamiento de la unidad.

- En primer lugar, conecte el cable de alimentación eléctrica de la unidad exterior.

- Instale siempre cada cable de puesta a tierra por separado con un tornillo de puesta a tierra.

- Para evitar que el cableado instalado en el techo sea mordido por roedores, etc., se deberá instalar en un conducto de cables.

- (1) Retire la cubierta eléctrica. (Fig. 8-1)
- (2) Retire la cubierta de conducto.
- (3) Introduzca el cableado en la caja de derivación a través de la placa de conducto y fíjelo con la placa de conducto. (consulte el apartado 8.1)
- (4) Conecte firmemente cada cable al bloque de terminales pertinente. (Fig. 8-9)
- (5) Configure el interruptor DIP. (consulte el apartado 8.3)
- (6) Vuelva a colocar la cubierta eléctrica.

8.1. Cuando se utiliza un conducto de cableado (Fig. 8-5, 8-6, 8-7)

Una vez instalado el conducto de cableado, vuelva a colocar la cubierta eléctrica.

- (A) Cubierta eléctrica
- (B) Cableado
- (C) Tuerca de 1/2" (adquirida localmente)
- (D) Conducto de cableado (para TB3A, TB3B)
- (E) Conducto de cableado (para TB3C, TB3D)
- (F) Conducto de cableado (para TB3E)
- (G) Conducto de cableado (para TB2B)
- (H) Conducto de cableado (para TB5B)
- (J) Placa de conducto (3.1 N° de accesorio (M))
- (K) Orificio de conducto
- (L) Tubo de conducto
- (M) Tarjeta controladora
- (N) Conducto de cableado de dos derivaciones (adquirido localmente)

⚠ Cuidado:

- Cuando instale la placa de conducto (J), recorte únicamente los orificios semiperforados que sean necesarios para el cableado (B).

Si se recortan orificios semiperforados que no son necesarios, pueden producirse daños debido a la invasión de pequeñas criaturas o insectos.

- Cuando recorte los orificios semiperforados de la placa de conducto, tenga cuidado de no producir ninguna deformación o distorsión en la placa.

Asimismo, asegúrese de que no quede ningún hueco entre la placa y los tubos de conducto o los orificios de conducto, ya que podría producirse una avería de la tarjeta controladora debido a la invasión de pequeñas criaturas o insectos. (Fig. 8-6)

- Para dividir los cableados de cada bloque de terminales en dos derivaciones fuera de la caja de derivación, utilice los conductos de cableado de dos derivaciones (N). (Fig. 8-7)

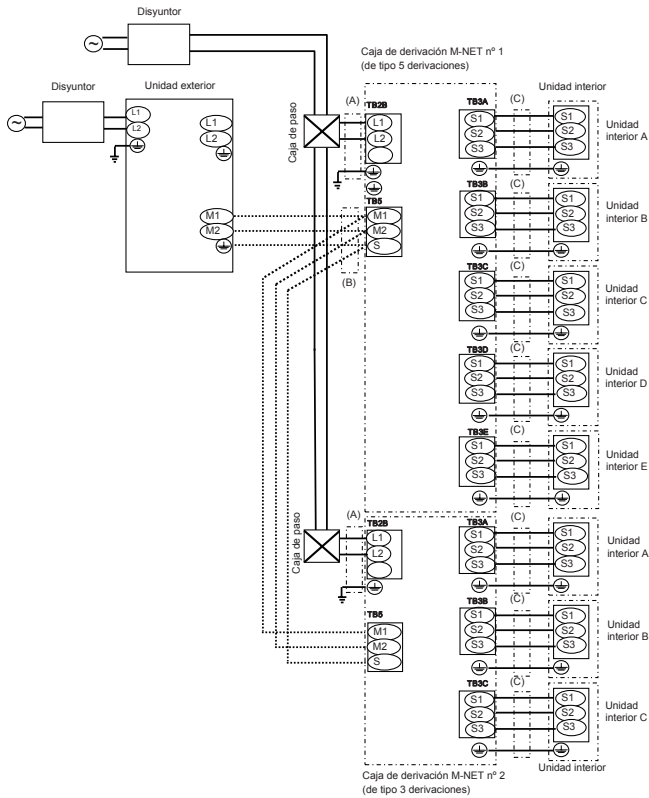
⚠ Cuidado:

A fin de evitar una presión excesiva sobre la caja de derivación, sostenga el tubo de conducto (L) con uno o más soportes a un máximo de 1,5 m (5 pies) de la caja de derivación.

Tome la Fig. 8-8 como referencia.

8. Trabajo eléctrico

■ Suministre alimentación eléctrica de forma separada a la caja de derivación y a la unidad exterior



8.2. Procedimiento de cableado exterior (Fig. 8-9)

■ Alimentación eléctrica de la unidad exterior

* Consulte el manual de instalación de la unidad exterior.

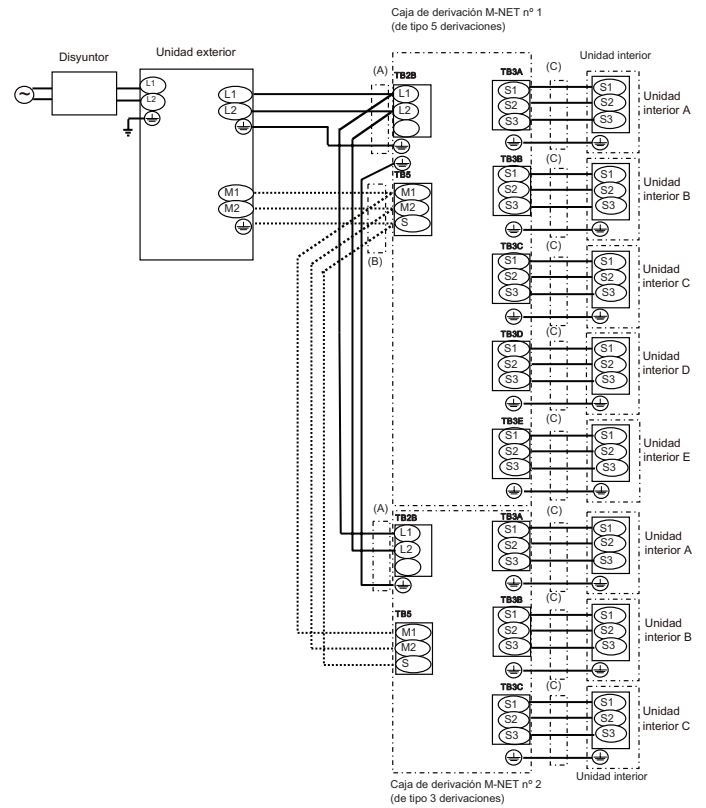


Fig. 8-9

Nota:

- ① Conecte el cableado conforme a los nombres de los bloques de terminales para garantizar que la polaridad sea la correcta.
- ② En cuanto a las líneas (C), S1 y S2 sirven para conectar la alimentación eléctrica.

Y S2 y S3 se emplean como cables de señal. S2 es un cable común para alimentación eléctrica y señal.

Diámetro del cable		
(A) Línea eléctrica principal/ Línea de tierra	(B) Cable M-NET apantallado CVVS o CPEVS	(C) Línea de señal/ Línea de tierra
2,1 mm ² (AWG14)	1,25 mm ² (AWG16) Menos de 200 m (656 pies)	1,25 mm ² (AWG16) Menos de 25 m (82 pies)

- ③ Se requiere un terminal redondo cuando se utiliza cable de par trenzado.
- ④ El diámetro de los cables debe cumplir la normativa local y nacional aplicable.
- ⑤ Los cables de alimentación eléctrica y los cables de conexión de la unidad interior/caja de derivación/unidad exterior no deben ser más ligeros que el cable flexible forrado de policloropreno. (Diseño 60245 IEC 57)
- ⑥ Instale una línea de tierra más larga que los cables de alimentación eléctrica.
- ⑦ No ate el cable M-NET con el cable de conexión y el cable de alimentación eléctrica. Puede causar un funcionamiento incorrecto.
- ⑧ Método de conexión recomendado
Cuando conecte una unidad interior a la caja de derivación, conéctela a TB3A. Cuando conecte 2 unidades interiores, conéctelas a TB3A y TB3B. Cuando conecte 3 unidades interiores, conéctelas a TB3A y TB3B y TB3C. Conecte las unidades interiores en el orden A→B→C→D→E.

⚠ Atención:

Nunca empalme el cable, ya que ello puede producir humo, un incendio o un error de comunicación.

8. Trabajo eléctrico

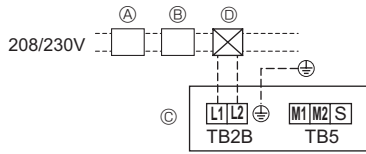


Fig. 8-10

■ Cableado de alimentación eléctrica (suministre alimentación eléctrica de forma separada a la caja de derivación y a la unidad exterior)

- Instale una línea de tierra más larga que los demás cables.
- Los cables de alimentación eléctrica del aparato no deben ser más ligeros que el diseño 245 IEC 57, 227 IEC 57, 245 IEC 53 o 227 IEC 53.
- La instalación del aire acondicionado debe proveer un interruptor con un mínimo de 3 mm (1/8 pulgadas) de separación entre los contactos de cada polo.

[Fig. 8-10]

- Ⓐ Interruptor por pérdida a tierra
- Ⓑ Interruptor local/Disyuntor de cableado
- Ⓒ Caja de derivación
- Ⓓ Caja de paso

Corriente máxima operativa de la unidad interior	Grosor mínimo del cable (mm ² /AWG)			Capacidad (A)	FUSIBLE (A)	Disyuntor para cableado (disyuntor sin fusible)	Interruptor por pérdida a tierra *1
	Cable principal	Derivación	Tierra				
F0 = máximo 15 A *2	2,1/14	2,1/14	2,1/14	15	15	15	Sensibilidad de corriente de 15 A *3
F0 = máximo 20 A *2	3,3/12	3,3/12	3,3/12	20	20	20	Sensibilidad de corriente de 20 A *3
F0 = máximo 30 A *2	5,3/10	5,3/10	5,3/10	30	30	30	Sensibilidad de corriente de 30 A *3

Aplíquese el IEC61000-3-3 para la impedancia máx. admitida en el sistema.

*1 El interruptor por pérdida a tierra debe ser compatible con el circuito del inversor.

El interruptor por pérdida a tierra debe emplear un interruptor local o un disyuntor de cableado.

*2 Emplee el mayor de F1 o F2 como valor de F0.

F1 = corriente máxima operativa total de las unidades interiores × 1,2

F2 = (V1/C)

Unidad interior		V1	V2
Tipo 1	SEZ-KD*NA, PLA-A*BA	19,8	2,4
	PLA-A*EA		
Tipo 2	PEAD-A*AA5, MVZ-A*AA	26,9	
Tipo 3	MSZ-FE*NA	9,9	
Tipo 4	MSZ-EF*NA, MSZ-FH*NA(2)	6,8	
	MSZ-GE*NA		
Tipo 5	SLZ-KA*NA	3,5	
Tipo 6	MFZ-KA*NA	16,2	
Tipo 7	MSZ-GL*NA, MFZ-KJ*NA	7,4	
Tipo 8	Caja de derivación (PAC-MKA*BC)	5,1	3,0

C: múltiplo de la corriente de activación en un tiempo de activación de 0,01 s

Calcule la variable "C" en función del grado de activación del disyuntor.

Condición: caja de derivación × 2 + SEZ-KD*NA × 5, C=8 (véase el gráfico de muestra de la derecha)

F2 = $5,1 \times 2/8 + 19,8 \times 5/8$

= 13,65

→ disyuntor de 16 A (corriente de activación = 8×16 A a 0,01 s)

*3 La sensibilidad de corriente se calcula mediante la siguiente fórmula:

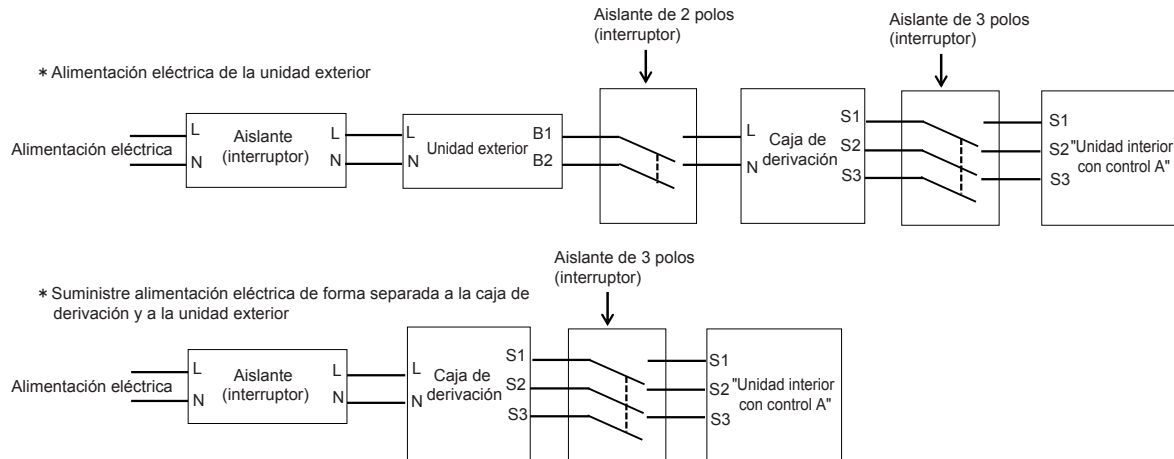
G1 = V2 + V3 × (longitud del cable [km])

G1	Sensibilidad de corriente
30 máximo	30 mA 0,1 s máximo
100 máximo	100 mA 0,1 s máximo

Grosor del cable (mm ² /AWG)	V3
2,1/14	48
3,3/12	56
5,3/10	66

⚠ Atención:

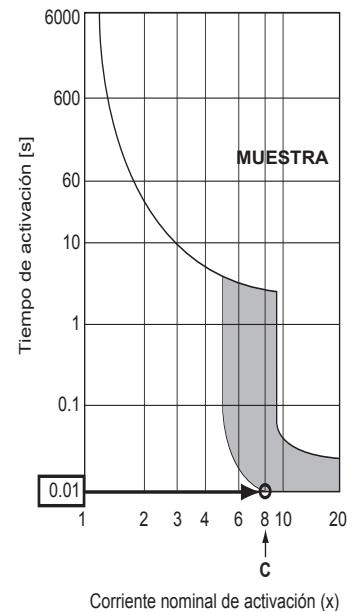
Si realiza el cableado de control A, el terminal S3 presentará potencial de alto voltaje debido al diseño del circuito eléctrico, que no tendrá aislamiento eléctrico entre la línea de alimentación eléctrica y la línea de señal de comunicación. Por tanto, desconecte el suministro de alimentación eléctrica principal antes de realizar el mantenimiento. Asimismo, nunca toque los terminales S1, S2 ni S3 mientras esté conectada la alimentación eléctrica. Si es necesario utilizar un aislante, use el tipo de dos polos entre la unidad exterior y la caja de derivación, y el tipo de tres polos entre la caja de derivación y la unidad interior.



⚠ Cuidado:

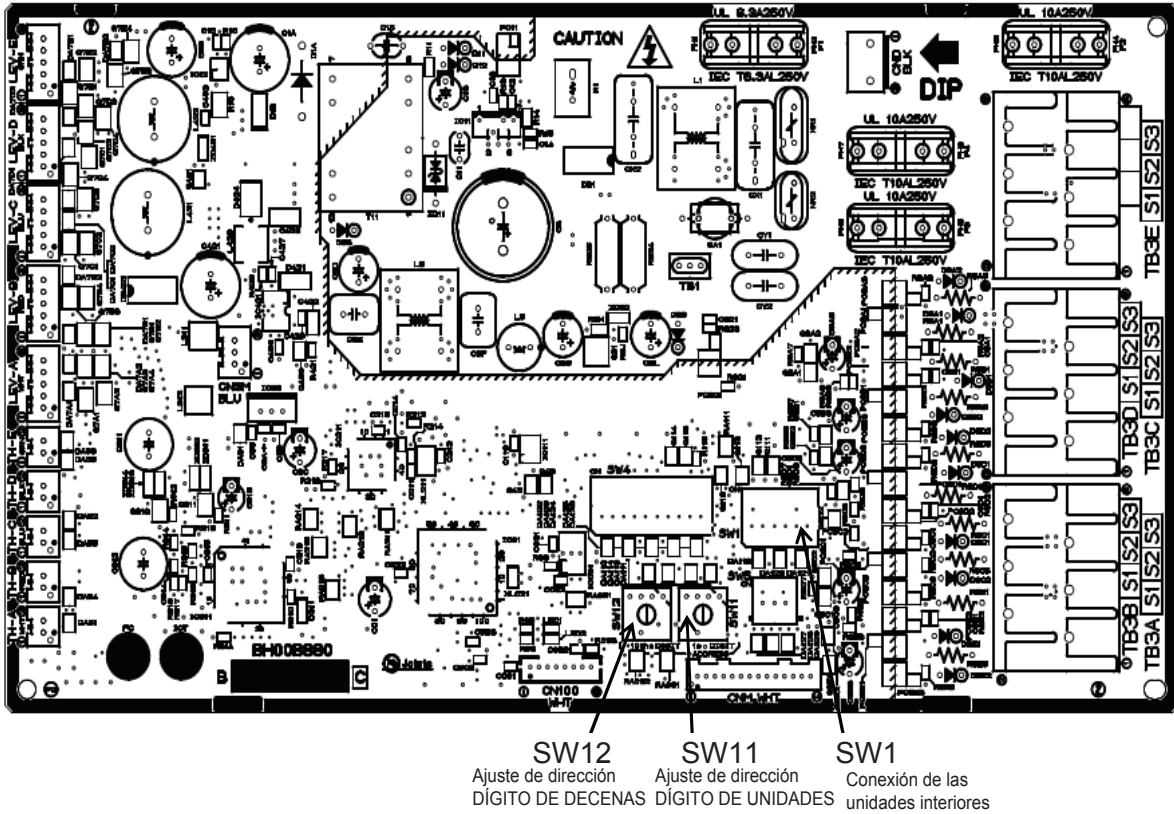
Cuando termine de utilizar el aislante, asegúrese de apagar y volver a encender la alimentación eléctrica principal para reiniciar el sistema. De lo contrario, es posible que la unidad exterior no pueda detectar la caja o cajas de derivación ni las unidades interiores.

Gráfico de muestra

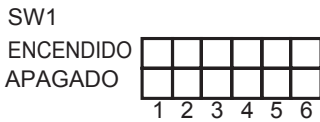


8. Trabajo eléctrico

8.3. Configuración de interruptores



Configuración del interruptor DIP (efectivo únicamente antes de encender)



(Ejemplo)
 • Si las unidades interiores se conectan a la unidad interior A y C, active SW1-1 y SW1-3.

			APAGADO	ENCENDIDO
SW1	1	Unidad interior A	No conectado	Conectado
	2	Unidad interior B	No conectado	Conectado
	3	Unidad interior C	No conectado	Conectado
	4	Unidad interior D	No conectado	Conectado
	5	Unidad interior E	No conectado	Conectado
	6	No asignado		

Interruptor de dirección (efectivo únicamente antes de encender)

La configuración de la dirección de la unidad interior varía en los diferentes sistemas. Consulte el manual de instalación de la unidad exterior para obtener información sobre cómo configurar la dirección.

Cada dirección se ajusta configurando de forma combinada el dígito de las decenas y el dígito de las unidades.

(Ejemplo)

- Para ajustar la dirección en "3", ajuste el dígito de las unidades en "3" y el dígito de las decenas en "0".
- Para ajustar la dirección en "25", ajuste el dígito de las unidades en "5" y el dígito de las decenas en "2".

(Ejemplo)

- Al ajustar la dirección de la caja de derivación en "3", se asigna una dirección a cada unidad interior empezando por la unidad A como se muestra a continuación, sin importar si cada unidad interior está conectada. (Interruptores 1-1 a 5 encendidos)

Unidad interior A Dirección 3
 Unidad interior B Dirección 4
 Unidad interior C Dirección 5
 Unidad interior D Dirección 6
 Unidad interior E Dirección 7

- Cuando la dirección se ajusta en "25" y además se conectan 3 unidades interiores (unidad A, unidad C y unidad E). (Interruptores 1-1, 1-3 y 1-5 encendidos)

Unidad interior A Dirección 25
 Unidad interior C Dirección 26
 Unidad interior E Dirección 27

9. Prueba de funcionamiento

- Consulte el apartado "Prueba de funcionamiento" del manual de instalación de las unidades interiores y de la unidad exterior.
- Cuando la caja de derivación y la unidad exterior tengan fuentes de alimentación independientes, encienda primero la caja de derivación y luego la unidad exterior.

• Después de conectar la corriente o cuando se apaga el aparato durante un momento, puede que se oiga un pequeño "clic" en el interior de la caja de derivación. La válvula de expansión electrónica se está abriendo y cerrando. La unidad no está averiada.

- Asegúrese de realizar la prueba de funcionamiento en modo de refrigeración en cada una de las unidades interiores. Compruebe que cada unidad interior funcione correctamente siguiendo el manual de instalación incluido con la unidad.
- Si realiza la prueba de funcionamiento en todas las unidades interiores simultáneamente, no podrá detectar las posibles conexiones erróneas de las tuberías de refrigerante y de los cables de conexión de la unidad interior/exterior.
- Para detectar un posible cableado incorrecto, realice la prueba de funcionamiento de forma individual en cada una de las unidades interiores.

⚠ Cuidado:

- Utilice el mando a distancia para accionar la unidad interior.
- Los síntomas siguientes no son indicativos de un mal funcionamiento.

Síntoma	Causa	Indicador LED de la unidad interior*
La unidad interior no funciona cuando se ajusta en modo de refrigeración (calefacción)	El funcionamiento en modo de refrigeración (calefacción) no está disponible cuando hay otra unidad interior funcionando en modo de calefacción (refrigeración).	En espera (para sistema Multi)
El ventilador de la unidad interior se para durante el funcionamiento en modo de calefacción	El ventilador se detiene durante la descongelación.	-
	El ventilador se detiene cuando el modo de recogida de refrigerante** está activado.	En espera (para sistema Multi)

* Consulte el manual de instrucciones de las unidades interiores para obtener más información.

** Este modo se activa durante aproximadamente 1 minuto para evitar un suministro insuficiente de refrigerante durante el funcionamiento en modo de calefacción, cuando el refrigerante está almacenado en una unidad interior que se ha apagado o está en termo-off.

This product is designed and intended for use in the residential,
commercial and light-industrial environment.

Please be sure to put the contact address/telephone number on
this manual before handing it to the customer.



mitsubishi electric corporation
HEAD OFFICE: TOKYO BUILDING, 2-7-3, MARUNOUCHI, CHIYODA-KU, TOKYO 100-8310, JAPAN