

INSTALLATION AND SERVICE MANUAL

separated combustion gas-fired unit heaters

model HDS and HDC



Intertek

All models approved for use in California by the CEC and in Massachusetts. Unit heater is certified for residential and commercial applications. These unit heaters are certified as Utility heaters and are intended for the heating of non-living spaces that are attached to, adjacent to, or part of a structure that contains space for family living quarters. They are not intended to be the primary source of heat in residential applications.

WARNING

1. Improper installation, adjustment, alteration, service or maintenance can cause property damage, injury or death, and could cause exposure to substances which have been determined by various state agencies to cause cancer, birth defects or other reproductive harm. Read the installation, operating and maintenance instructions thoroughly before installing or servicing this equipment.
2. Do not locate ANY gas-fired units in areas where chlorinated, halogenated, or acidic vapors are present in the atmosphere. These substances can cause premature heat exchanger failure due to corrosion, which can cause property damage, serious injury, or death.

IMPORTANT

The use of this manual is specifically intended for a qualified installation and service agency. All installation and service of these units must be performed by a qualified installation and service agency.

FOR YOUR SAFETY

WHAT TO DO IF YOU SMELL GAS:

1. Open windows.
2. Do not try to light any appliance.
3. Do not touch any electrical switch; do not use any phone in your building.
4. Immediately call your gas supplier from a neighbor's phone. Follow the gas supplier's instructions. If you can not reach your gas supplier, call your fire department.

FOR YOUR SAFETY

The use and storage of gasoline or other flammable vapors and liquids in open containers in the vicinity of this appliance is hazardous.

Inspection on Arrival

1. Inspect unit upon arrival. In case of damage, report it immediately to transportation company and your local Modine sales representative.
2. Check rating plate on unit to verify that power supply meets available electric power at the point of installation.
3. Inspect unit upon arrival for conformance with description of product ordered (including specifications where applicable).

Table of Contents

Inspection on Arrival	1
Special Precautions	2
SI (Metric) Conversion Factors.	3
Before you Begin	3
Unit Location.	4
Combustible Material and Service Clearances	4
Unit Mounting	5
Venting	6
Gas Connections.	12
High Altitude Accessory Kit	13-14
Electrical	15-16
Operation.	17
Unit Components	18
Dimensions.	19
Service/Troubleshooting.	20
Unit Wiring Diagram	21
Serial/Model Number/Replacement Parts	22
Commercial Warranty.	Back Cover

SPECIAL PRECAUTIONS

SPECIAL PRECAUTIONS

THE INSTALLATION AND MAINTENANCE INSTRUCTIONS IN THIS MANUAL MUST BE FOLLOWED TO PROVIDE SAFE, EFFICIENT AND TROUBLE-FREE OPERATION. IN ADDITION, PARTICULAR CARE MUST BE EXERCISED REGARDING THE SPECIAL PRECAUTIONS LISTED BELOW. FAILURE TO PROPERLY ADDRESS THESE CRITICAL AREAS COULD RESULT IN PROPERTY DAMAGE OR LOSS, PERSONAL INJURY, OR DEATH. THESE INSTRUCTIONS SUBJECT TO ANY MORE RESTRICTIVE LOCAL OR NATIONAL CODES.

HAZARD INTENSITY LEVELS

1. **DANGER:** Indicates an imminently hazardous situation which, if not avoided, WILL result in death or serious injury.
2. **WARNING:** Indicates a potentially hazardous situation which, if not avoided, COULD result in death or serious injury.
3. **CAUTION:** Indicates a potentially hazardous situation which, if not avoided, MAY result in minor or moderate injury.
4. **IMPORTANT:** Indicates a situation which, if not avoided, MAY result in a potential safety concern.

DANGER

Appliances must not be installed where they may be exposed to a potentially explosive or flammable atmosphere.

WARNING

1. Gas fired heating equipment must be vented - do not operate unvented.
2. A built-in power exhauster is provided - additional external power exhausters are not required or permitted.
3. If an existing heater is being replaced, it may be necessary to resize the venting systems. Improperly sized venting systems can result in vent gas leakage or the formation of condensate. Refer to the National Fuel Gas Code ANSI Z223.1 (NFPA 54) or CSA B149.1 latest edition. Failure to follow these instructions can result in injury or death.
4. Under no circumstances should two sections of double wall vent pipe be joined together within one horizontal vent system due to the inability to verify complete seal of inner pipes.
5. All field gas piping must be pressure/leak tested prior to operation. Never use an open flame. Use a soap solution or equivalent for testing.
6. Gas pressure to appliance controls must never exceed 14" W.C. (1/2 psi).
7. To reduce the opportunity for condensation, the minimum sea level input to the appliance, as indicated on the serial plate, must not be less than 5% below the rated input, or 5% below the minimum rated input of dual rated units.
8. Disconnect power supply before making wiring connections to prevent electrical shock and equipment damage.
9. All appliances must be wired strictly in accordance with wiring diagram furnished with the appliance. Any wiring different from the wiring diagram could result in a hazard to persons and property.
10. Any original factory wiring that requires replacement must be replaced with wiring material having a temperature rating of at least 105°C.
11. Ensure that the supply voltage to the appliance, as indicated on the serial plate, is not 5% greater than the rated voltage.
12. When servicing or repairing this equipment, use only factory-approved service replacement parts. A complete replacements parts list may be obtained by contacting the factory. Refer to the rating plate on the appliance for complete appliance model number, serial number, and company address. Any substitution of parts or controls not approved by the factory will be at the owner's risk.

CAUTION

1. All literature shipped with this unit should be kept for future use for servicing or service diagnostics. Do not discard any literature shipped with this unit.
2. Consult piping, electrical, and venting instructions in this manual before final installation.
3. Do not attach ductwork, air filters, or polytubes to any propeller unit heater.
4. Clearances to combustible materials are critical. Be sure to follow all listed requirements.
5. Low profile heaters are designed for use in heating applications with ambient startup temperatures between -40°F and 90°F, and ambient operating temperatures between 40°F and 90°F.
6. Do not install unit outdoors.
7. In garages or other sections of aircraft hangars such as offices and shops that communicate with areas used for servicing or storage, keep the bottom of the unit at least 7' above the floor unless the unit is properly guarded to provide user protection from moving parts. In parking garages, the unit must be installed in accordance with the standard for parking structures ANSI/NFPA 88A latest edition, and in repair garages the standard for repair garages NFPA 30A - latest edition (Formerly NFPA 88B). In Canada, installation of heaters in airplane hangars must be in accordance with the requirements of the enforcing authority, and in public garages in accordance with the current CSA-B149 codes.
8. In aircraft hangars, keep the bottom of the unit at least 10' from the highest surface of the wings or engine enclosure of the highest aircraft housed in the hangars and in accordance with the requirements of the enforcing authority and/or NFPA 409-latest edition.
9. Installation of units in high humidity or salt water atmospheres will cause accelerated corrosion resulting in a reduction of the normal life of the units.
10. Do not install units below 7' measured from the bottom of the unit to the floor in commercial applications (unless unit is properly guarded to provide user protection from moving parts) and 5' measured from the bottom of the unit to the floor in residential applications.
11. Be sure no obstructions block air intake and discharge of unit heaters.
12. The minimum distance from combustible material is based on the combustible material surface not exceeding 160°F. Clearance from the top of the unit may be required to be greater than the minimum specified if heat damage, other than fire, may occur to materials above the unit heater at the temperature described.
13. Allow 18" of clearance at rear (or 6" beyond end of motor at rear of unit, whichever is greater) and access side to provide ample air for proper operation of fan.
14. Installation must conform with local building codes or in the absence of local codes, with the National Fuel Gas Code, ANSI Z223.1 (NFPA 54) - latest edition. In Canada installation must be in accordance with CSA-B149.1.
15. The concentric vent adapter box must be installed inside of the structure or building. Do not install this box on the exterior of a building or structure.
16. Purging of air from gas supply line should be performed as described in the National Fuel Gas Code, ANSI Z223.1 (NFPA 54) - latest edition, or, or in Canada in CSA-B149 codes.
17. When leak testing the gas supply piping system, the appliance and its combination gas control must be isolated during any pressure testing in excess of 14" W.C. (1/2 psi).

SPECIAL PRECAUTIONS / SI (METRIC) CONVERSION FACTORS

⚠ CAUTION

18. The unit should be isolated from the gas supply piping system by closing its field installed manual shut-off valve. This manual shut-off valve should be located within 6' of the heater.
19. Turn off all gas before installing appliance.
20. Ensure that the supply voltage to the appliance, as indicated on the serial plate, is not 5% less than the rated voltage.
21. Check the gas inlet pressure at the unit upstream of the combination gas control. The inlet pressure should be 6-7" W.C. on natural gas or 11-14" W.C. on propane. If inlet pressure is too high, install an additional pressure regulator upstream of the combination gas control.
22. Service or repair of this equipment must be performed by a qualified service agency.
23. Do not attempt to reuse any mechanical or electronic ignition controllers which has been wet. Replace defective controller.

IMPORTANT

1. To prevent premature heat exchanger failure, do not locate ANY gas-fired appliances in areas where corrosive vapors (i.e. chlorinated, halogenated or acid) are present in the atmosphere.
2. To prevent premature heat exchanger failure, the input to the appliance as indicated on the serial plate, must not exceed the rated input by more than 5%.
3. To prevent premature heat exchanger failure, observe heat exchanger tubes. If the tubes become red while blower and furnace are in operation, check to be sure the blower has been set to the proper rpm for the application. Refer to page 15 for blower adjustments.
4. Start-up and adjustment procedures must be performed by a qualified service agency.

To check most of the possible remedies in the troubleshooting guide listed in Table 19.1, refer to the applicable sections of the manual.

SI (METRIC) CONVERSION FACTORS

To Convert	Multiply By	To Obtain	To Convert	Multiply By	To Obtain
"W.C.	0.249	kPa	feet	0.305	m
°F	(°F-32) x 5/9	°C	Gal/Hr.	0.00379	m ³ /hr
Btu	1.06	kJ	Gal/Hr.	3.79	l/hr
Btu/ft ³	37.3	kJ/m ³	gallons	3.79	l
Btu/hr	0.000293	kW	Horsepower	746	W
CFH (ft ³ /hr)	0.000472	m ³ /min	inches	25.4	mm
CFH (ft ³ /hr)	0.00000787	m ³ /s	pound	0.454	kg
CFM (ft ³ /min)	0.0283	m ³ /min	psig	6.89	kPa
CFM (ft ³ /min)	0.000472	m ³ /s	psig	27.7	"W.C.

BEFORE YOU BEGIN

⚠ CAUTION

1. All literature shipped with this unit should be kept for future use for servicing or service diagnostics. Leave manual with the owner. Do not discard any literature shipped with this unit.
2. Consult piping, electrical, and venting instructions in this manual before final installation.
3. Do not attach ductwork, air filters, or polytubes to any propeller unit heater.

In the U.S., the installation of these units must comply with the National Fuel Gas Code, ANSI Z223.1 - latest edition (NFPA 54) and other applicable local building codes. In Canada, the installation of these units must comply with local plumbing or waste water codes and other applicable codes and with the current code CSA-B149.1.

1. All installation and service of these units must be performed by a qualified installation and service agency only as defined in ANSI Z223.1, latest edition or in Canada by a licensed gas fitter.
2. This unit is certified with the controls furnished. For replacements parts, please order according to the replacement parts list on serial plate. Always know your model and serial numbers. The right is reserved to substitute other authorized controls as replacements.
3. Unit is balanced for correct performance. Do not alter fan or operate motors at speeds below what is shown in this manual.
4. Information on controls is supplied separately.
5. The same burner is used for natural and propane gas.

UNIT LOCATION

UNIT LOCATION



DANGER

Appliances must not be installed where they may be exposed to a potentially explosive or flammable atmosphere.



CAUTION

- Clearances to combustible materials are critical. Be sure to follow all listed requirements.
- Low profile heaters are designed for use in heating applications with ambient startup temperatures between -40°F and 90°F, and ambient operating temperatures between 40°F and 90°F.
- Do not install unit outdoors.
- In garages or other sections of aircraft hangars such as offices and shops that communicate with areas used for servicing or storage, keep the bottom of the unit at least 7' above the floor unless the unit is properly guarded. In parking garages, the unit must be installed in accordance with the standard for parking structures ANSI/NFPA 88A-latest edition, and in repair garages the standard for repair garages NFPA 30A - latest edition (Formerly NFPA 88B). In Canada, installation of heaters in airplane hangars must be in accordance with the requirements of the enforcing authority, and in public garages in accordance with the current CSA-B149 codes.
- In aircraft hangars, keep the bottom of the unit at least 10' from the highest surface of the wings or engine enclosure of the highest aircraft housed in the hangars and in accordance with the requirements of the enforcing authority and/or NFPA 409-latest edition.
- Installation of units in high humidity or salt water atmospheres will cause accelerated corrosion, resulting in a reduction of the normal life of the units.

IMPORTANT

To prevent premature heat exchanger failure, do not locate ANY gas-fired appliances in areas where corrosive vapors (i.e. chlorinated, halogenated or acid) are present in the atmosphere.

Location Recommendations

- When locating the heater, consider general space and heating requirements, availability of gas and electrical supply, and proximity to vent locations.
- When locating units, it is important to consider that the combustion air and exhaust vent piping must be connected to the outside atmosphere. Vent terminals should be located adjacent to one another. Maximum equivalent vent lengths are listed in "Section A - General Instruction - All Units" of the venting instructions.
- Be sure the structural support at the unit location site is adequate to support the unit's weight. For proper operation the unit must be installed in a level horizontal position.
- Do not install units in locations where the flue products can be drawn into the adjacent building openings such as windows, fresh air intakes, etc.
- Be sure that the minimum clearances to combustible materials and recommended service clearances are maintained. Units are designed for installation with the minimum clearances as shown in Table 4.1.

Table 4.1 - Clearances

Unit Side	Clearance to Combustible Material		Recommended Service Clearance
	HDS	HDC	HDS/HDC
Top and Bottom	1"	6"	18"
Access Side	1"	6"	18"
Non-Access Side	1"	6"	18"
Rear	18"	18"	18"
Vent Connector	4"	4"	18"

- Do not install units in locations where gas ignition system is exposed to water spray, rain, or dripping water.
- Mounting height (measured from bottom of unit) at which unit heaters are installed is critical. Refer to mounting height and heat throw data on page 16 of this manual. The maximum mounting height for any unit is that height above which the unit will not deliver heated air to the floor.

Turning The Unit 180° (Model sizes 30-75 only)

All units are produced at the factory with left-side controls (when looking at the unit). If the installation requires the controls to be on the right side, all HDS/HDC heaters - with the exception of the 100 and 125 - can be turned-over by following the instructions below.

- By turning the unit 180° from the way it was received from the factory, the sides become opposite but the front and back remain in the same relative position. The bottom panel now becomes the top panel and vice-versa.
- Remove the access panel, turn it 180°, and re-attach it to the unit so that all the information labels can be read.
- Remove the spring-loaded deflector blades, turn them over, replace, and adjust so they are open and in a position to direct the heated air down to the floor.

UNIT MOUNTING

CAUTION

1. Do not install units below 7' measured from the bottom of the unit to the floor in commercial applications (unless unit is properly guarded to provide user protection from moving parts) and 5' measured from the bottom of the unit to the floor in residential applications.
2. Be sure no obstructions block air intake and discharge of unit heaters.
3. The minimum distance from combustible material is based on the combustible material surface not exceeding 160°F. Clearance from the top of the unit may be required to be greater than the minimum specified if heat damage, other than fire, may occur to materials above the unit heater at the temperature described.
4. Allow 18" clearance at rear (or 6" beyond end of motor at rear of unit, whichever is greater) and access side to provide ample air for proper operation of fan.

1. Be sure the means of suspension is adequate to support the weight of the unit (see page 18 for unit weights).
2. For proper operation, the unit must be installed in a level horizontal position.
3. Clearances to combustibles as previously specified must be strictly maintained.
4. For model sizes 30-75, before lifting the heater for suspension, the mounting brackets must be installed as follows (for bracket accessory installation on model sizes 100-125, see the latest revision of literature 6-594):
 - For standard (left side) control access, remove the 3 screws and mounting bracket along the top edge of both the front and back of the unit. Install the front bracket as shown in Figure 5.1 by aligning the screw holes on the bracket with the screw holes on the top edge of the unit. Repeat for the bracket on the back of the unit.
 - For right side control access, remove the 3 screws and mounting bracket along the top edge of both the front and back of the unit. Turn the unit over and install the front bracket as shown in Figure 5.2 by aligning the screw holes on the bracket with the screw holes on the top edge of the unit (originally the bottom edge). Repeat for the bracket on the back of the unit.
- 5a. **Suspension by screws/lag bolts:** Secure the mounting brackets to the ceiling joists or truss, using 1/4" screws with 1/2" washers. These unit mounting brackets are slotted to accommodate joists on 16" or 24" centerlines. See page 18 for mounting bracket dimensions.

Figure 5.1 - Unit Heater in Standard Mounting Configuration (30-75 units only)

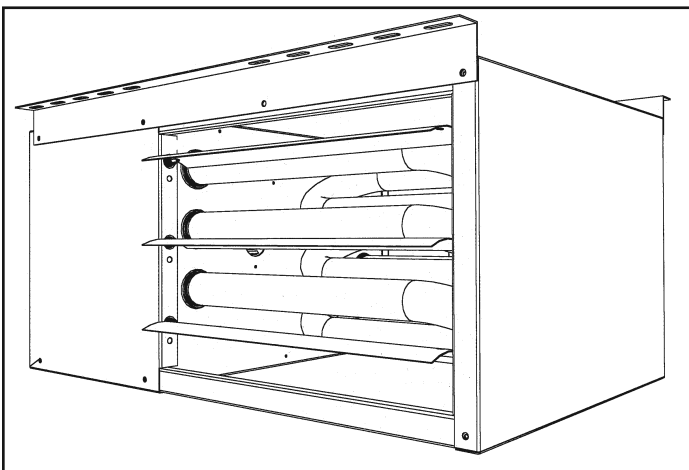
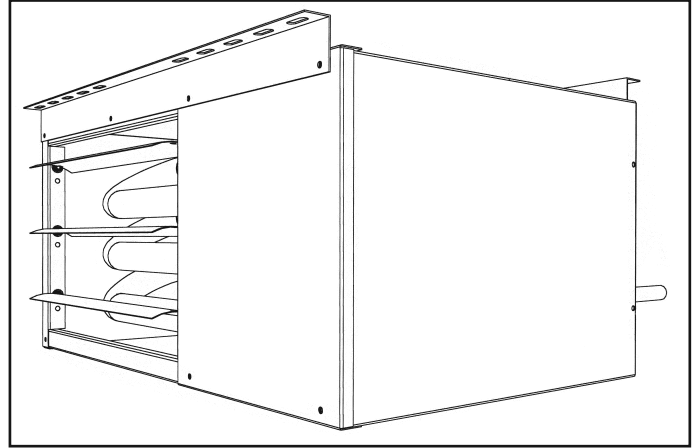
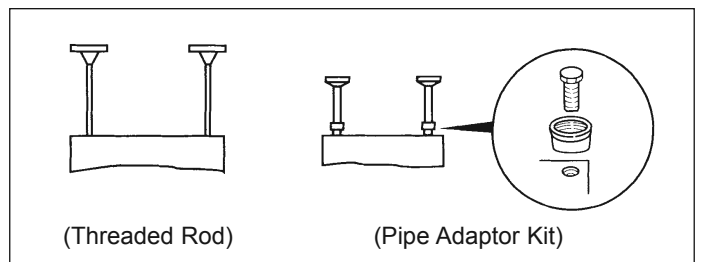


Figure 5.2 - Unit Heater Turned 180° (30-75 units only) (Access panel and heated air outlet change sides)



- 5b. **Suspension by threaded rod:** The unit can also be hung with threaded rod utilizing the same mounting brackets. Attach the threaded rod to the unit mounting brackets, securing with a top and bottom nut. For model sizes 100-125, the units are designed to be suspended by threaded rod without the use of brackets. On each piece of 3/8" threaded rod used, screw a nut a distance of about 1" onto the end of the threaded rods that will be screwed into the unit heater. Place a washer over the end of the threaded rod and screw the threaded rod into the unit heater weld nuts on the top of the heater at least 5 turns, and no more than 10 turns. Tighten the nut first installed onto the threaded rod to prevent the rod from turning.
Next, drill holes into a steel channel or angle iron at the same centerline dimensions as those chosen for the heater being installed. The steel channels or angle iron pieces need to span and be fastened to appropriate structural members. Cut the threaded rods to the preferred length, push them through the holes in the steel channel or angle iron and secure with washers and lock nuts, lock washers and nuts, or a washer with double nut arrangement.
NOTE: A pipe hanger adapter kit, shown in Figure 5.3, is available as an accessory. One kit consists of drilled 3/4" IPS pipe caps and 3/8" - 16 x 1-3/4" capscrews to facilitate threaded pipe suspension.
- 5c. **Shelf mounted units:** The unit heater can also be installed on a shelf. The mounting brackets will need to be attached to the heater the same manner as explained in note #4, however, to mount on a shelf the brackets must go on the bottom of the heater. The brackets must be affixed to the shelf using similar screws (1/4" screw with 1/2" washer) as overhead joist or truss mounting. Be sure all clearance to combustible requirements are met.

Figure 5.3 - Unit Heater Suspension Methods



INSTALLATION - VENTING

⚠ WARNING

1. Gas fired heating equipment must be vented - do not operate unvented.
2. A built-in power exhauster is provided - additional external power exhausters are not required or permitted.
3. If an existing heater is being replaced, it may be necessary to resize the venting systems. Improperly sized venting systems can result in vent gas leakage or the formation of condensate. Refer to the National Fuel Gas Code ANSI Z223.1 (NFPA 54) or CSA-B149.1 Installation Code - latest edition. Failure to follow these instructions can result in serious injury or death.
4. Under no circumstances should 2 sections of double wall vent pipe be joined together within 1 horizontal vent system due to the inability to verify complete seal of inner pipes.

⚠ CAUTION

Installation must conform with local building codes or in the absence of local codes, with Part 7, Venting of Equipment, of the National Fuel Gas Code, ANSI Z223.1 (NFPA 54) - latest edition. In Canada installation must be in accordance with CSA B149.1.

Model HDS/HDC unit heaters must be vented with the proper passageway as described in these instructions to convey flue gases from the unit or the vent connector to the outside atmosphere. The heaters must also have a separate combustion air intake pipe to bring in fresh air for combustion from the outside atmosphere.

The venting instructions are organized in sections, based on installation type. The sections are identified as follows:

Instructions Section	Applicable Installation Instructions by Vent System Type
A	General instructions for ALL installations
B	VERTICAL 2-PIPE vent systems ①
C	HORIZONTAL 2-PIPE vent systems ①
D	HORIZONTAL AND VERTICAL CONCENTRIC vent systems ①

① The differences between vertical and horizontal vent systems in 2-Pipe or concentric vent configurations will be identified in "Section A - General Instructions - All Units".

Section A – General Instructions – All Units

- A1. If the unit heater being installed is replacing existing equipment and using the existing vent system from that equipment, inspect the venting system for proper size and horizontal pitch, as required in the National Fuel Gas Code ANSI Z223.1 or CSA B149.1 Installation Code-latest edition and these instructions. Determine that there is no blockage or restriction, leakage, corrosion and other deficiencies, which could cause an unsafe condition.
- A2. The combustion air pipe and vent pipe should be galvanized steel or other suitable corrosion resistant material. Follow the National Fuel Gas Code for minimum thickness of vent material. The minimum thickness for connectors varies depending on the pipe diameter. Do not vent unit with PVC or other forms of plastic venting material.
- A3. All heaters come with factory installed vent and combustion air adapters for attaching the vent pipe to the heater. Attach the vent pipe to the adapter with 3 corrosion resistant screws. (Drill pilot holes through the vent pipe and adapter prior to screwing in place). Vent pipe must not be smaller than the connector size.

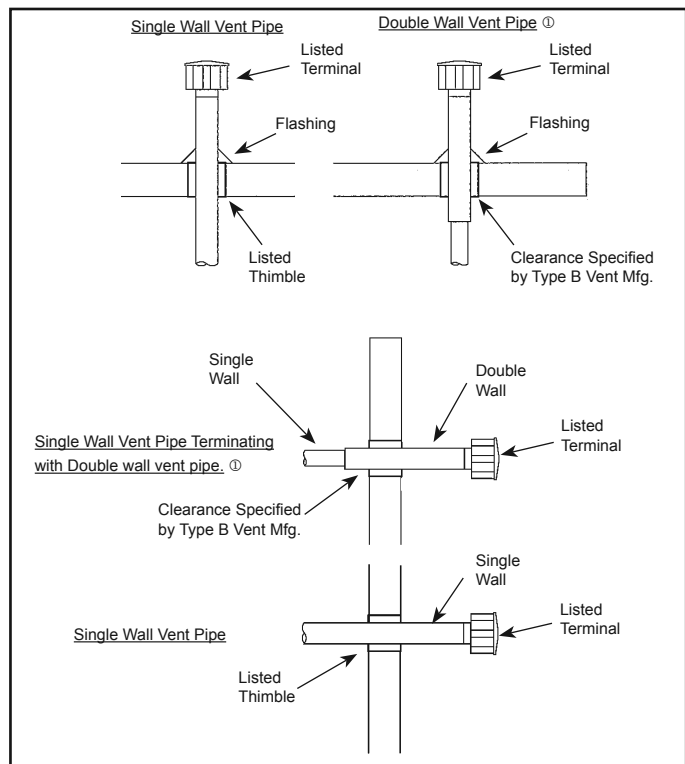
- A4. Refer to Table 6.1 for total equivalent vent pipe lengths, making the vent system as straight as possible. The equivalent length of a 3" elbow is 1' and for a 4" elbow is 5'.

Table 6.1 - Vent Pipe Diameters, Transitions, and Total Equivalent Vent Pipe Lengths For Horizontal and Vertical Venting Systems

Model Size	Vent Pipe Sizes	Minimum Eqv. Length	Maximum Eqv. Length
30-45	3"	3'	25'
60-125	4"	3'	25'

- A5. A minimum of 12" straight pipe is recommended from the flue outlet before turns in the vent pipe.
- A6. Horizontal sections of vent pipe are to be installed with an upward or downward slope from the appliance of 1/4" per foot and suspended securely from overhead structures at points not greater than 3' apart.
- A7. Fasten individual lengths of vent together with at least 3 corrosion-resistant sheet metal screws.
- A8. Keep single wall vent pipe at least 6" from combustible materials. For double wall vent pipe, follow the vent pipe manufacturer's clearances to combustibles. The minimum distance from combustible materials is based on the combustible material surface not exceeding 160°F. Clearance from the vent pipe (or the top of the unit) may be required to be greater than 6" if heat damage other than fire could result (such as material distortion or discoloration).
- A9. Avoid venting through unheated space when possible. When venting does pass through an unheated space or if the unit is installed in an environment that promotes condensation, insulate runs greater than 5' to minimize condensation. Inspect for leakage prior to insulating and use insulation that is noncombustible with a rating of not less than 400°F. Install a tee fitting at the low point of the vent system and provide a drip leg with a clean out cap as shown in Figure 8.1.

Figure 6.1 - Venting Through Combustible Roof or Wall



① See Instruction A12 for attaching single wall pipe to double wall pipe.

INSTALLATION - VENTING

- A10. When the vent passes through a combustible INTERIOR wall or floor, a metal thimble 4" greater than the vent diameter is necessary. If there is 6' or more of vent pipe in the open space between the appliance and where the vent pipe passes through the wall or floor, the thimble need only be 2" greater than the diameter of the vent pipe. If a thimble is not used, all combustible material must be cut away to provide 6" of clearance. Where authorities have jurisdiction type B vent may be used for the last section of vent pipe to maintain clearance to combustibles while passing through wall or floor (see Figure 6.1). Any material used to close the opening must be noncombustible.
- A11. Seal all seams and joints of un-gasketed single wall pipe with metal tape or Silastic suitable for temperatures up to 400°F. Wrap the tape 2 full turns around the vent pipe. One continuous section of double wall vent pipe may be used within the vent system to pass through the wall to a listed vent cap. Refer to instruction A12 in "Section A – General Instructions – All Units" for attaching double wall pipe to single wall pipe.
- A12. The following are general instructions for double wall (type B) terminal pipe installation:

How to attach a single wall vent terminal to double wall (type B) vent pipe:

1. Look for the "flow" arrow on the vent pipe.
2. Slide the vent terminal inside the exhaust end of the double wall vent pipe.
3. Drill 3 holes through the pipe and the vent terminal. Using 3/4" long sheet metal screws, attach the cap to the pipe. Do not overtighten.

How to connect a single wall vent system to a double wall (type B) vent pipe:

1. Slide the single wall pipe inside the inner wall of the double wall pipe.
2. Drill 3 holes through both walls of the single and double wall vent pipes. Using 3/4" sheet metal screws, attach the 2 pieces of pipe. Do not overtighten.
3. The gap between the single and double wall pipe must be sealed but it is not necessary to fill the full volume of the annular area. To seal, run a large bead of 400°F silastic around the gap.

A13. Vent termination clearances must be maintained:

Table 7.1 - Vent Termination Clearances

Structure	Minimum Clearances for Vent Terminal Location
Forced air inlet within 10 feet	3 feet above
Combustion air inlet of another appliance	6 feet all directions
Door, window, gravity air inlet, or any building opening	4 feet horizontal and below 1 foot above
Electric meter, gas meter, gas regulator, and relief equipment ①	4 feet horizontal (U.S.) 6 feet horizontal (Canada)
Gas regulator ①	3 feet horizontal (U.S.) 6 feet horizontal (Canada)
Adjoining building or parapet wall	6 feet all directions
Adjacent public walkways	7 feet all directions
Grade (ground level)	3 feet above

① Do not terminate the vent directly above a gas meter or regulator.

- A14. Do NOT vent this appliance into a masonry chimney.
- A15. Do NOT use dampers or other devices in the vent or combustion air pipes.
- A16. The venting system must be exclusive to a single appliance, and no other appliance is allowed to be vented into it.
- A17. Precautions must be taken to prevent degradation of building materials by flue products.
- A18. Single wall vent pipe must not pass through any unoccupied attic, inside wall, concealed space, or floor.
- A19. Uninsulated single wall vent pipe must not be used outdoors for venting appliances in regions where the 99% winter design temperature is below 32°F. A19. Long runs of horizontal or vertical combustion air pipes may require insulation in very cold climates to prevent the buildup of condensation on the outside of the pipe where the pipe passes through conditioned spaces.
- A20. Vertical combustion air pipes should be fitted with a tee with a drip leg and a clean out cap to prevent against the possibility of any moisture in the combustion air pipe from entering the unit. The drip leg should be inspected and cleaned out periodically during the heating season.
- A21. The vent terminal must be:

Table 7.2 - Vent Terminals (two pipe)

Model Size	Modine PN
30-45	5H0722850005
60-75	5H0722850001
100-125	5H0722850001

A22. In addition to following these general instructions, specific instructions for vertical and horizontal vent systems in 2-Pipe or concentric vent configurations must also be followed. The following outlines the differences:

Vertical Category III Vent System Determination

- Vertical vent systems terminate vertically (up) (an example is shown in Figure 8.1).
- Determine the venting configuration as follows:
 - > For two building penetrations through the wall or roof (one for the combustion air inlet pipe and one for the vent pipe), proceed to "Section B - Vertical 2-Pipe Venting".
 - > For a single larger building penetration through the wall or roof, through which both the combustion air inlet and vent pipes will pass, proceed to "Section D - Horizontal and Vertical Concentric Venting".
 - > For all other cases, proceed to the next section for Horizontal Vent System Determination.

Horizontal Category III Vent System Determination

- Horizontal vent systems terminate horizontally (sideways) (an example is shown in Figure 9.1).
- Determine the venting configuration as follows:
 - > For two building penetrations through the wall or roof (one for the combustion air inlet pipe and one for the vent pipe), proceed to "Section C - Horizontal 2-Pipe Venting".
 - > For a single larger building penetration through the wall or roof, through which both the combustion air inlet and vent pipes will pass, proceed to "Section D - Horizontal and Vertical Concentric Venting".

INSTALLATION - VENTING

Section B – Vertical 2-Pipe Vent System Installation

- B1. This section applies to vertically vented 2-pipe (one combustion air inlet pipe and one vent pipe) vent systems and is in addition to “Section A – General Instructions – All Units”.
- B2. Vertical vent systems terminate vertically (up).
- B3. It is recommended to install a tee with drip leg and clean out cap as shown in Figure 8.1.
- B4. The combustion air and vent pipes must be terminated with 2 listed vent caps.
- B5. Vertical vents must terminate a minimum horizontal and vertical distance from roof lines and adjacent walls or obstructions. These minimum distances are outlined in Figure 8.1 and Table 8.1.
- B6. The vent must terminate at least 1' above and 6" horizontally from the combustion air inlet.

Table 8.1 - Minimum Height from Roof to Lowest Discharge Opening

Rise X (in)	Roof Pitch	Min Height H (ft) ①
0-6	Flat to 6/12	1.00
6-7	6/12 to 7/12	1.25
7-8	7/12 to 8/12	1.50
8-9	8/12 to 9/12	2.00
9-10	9/12 to 10/12	2.50
10-11	10/12 to 11/12	3.25
11-12	11/12 to 12/12	4.00
12-14	12/12 to 14/12	5.00
14-16	14/12 to 16/12	6.00
16-18	16/12 to 18/12	7.00
18-20	18/12 to 20/12	7.50
20-21	20/12 to 21/12	8.00

① Size according to expected snow depth.

Figure 8.1 - Vertical 2-Pipe Vent System - Sloped Roof

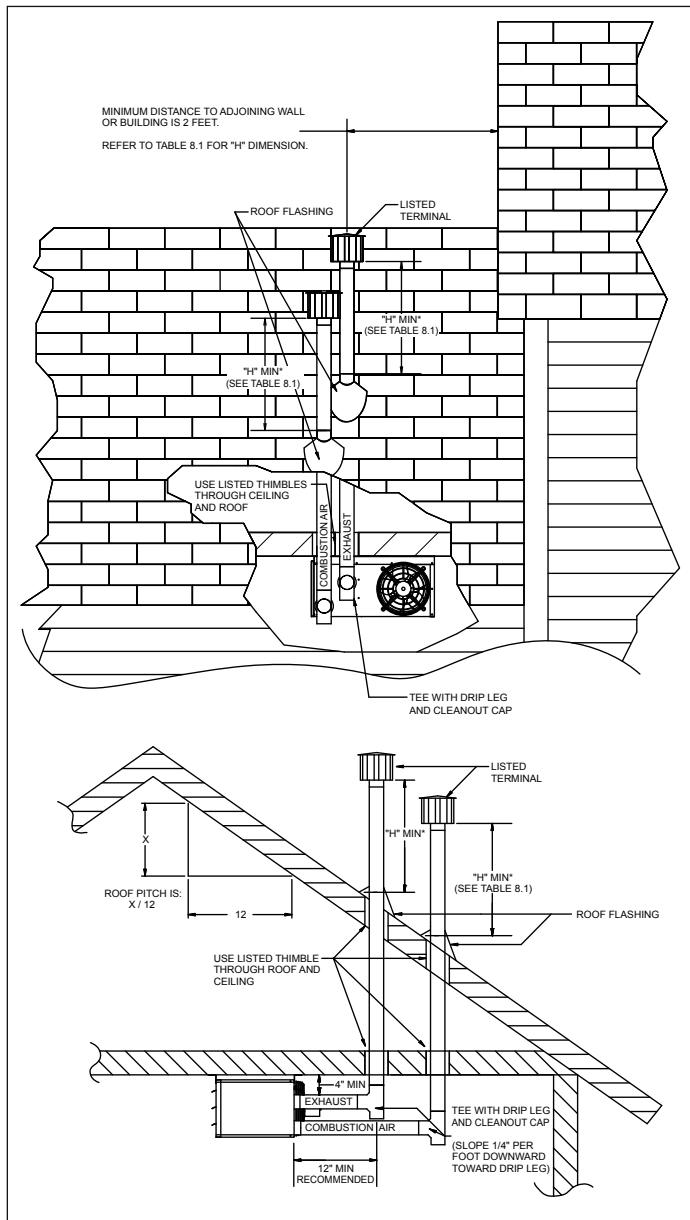
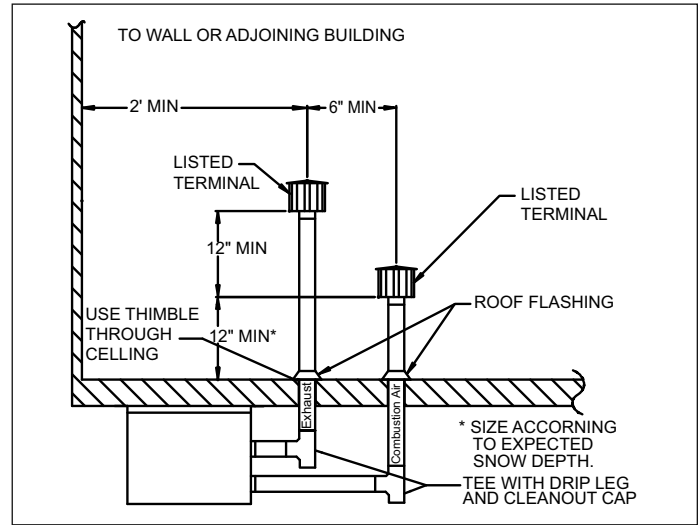


Figure 8.2 - Vertical 2-Pipe Vent System - Flat Roof



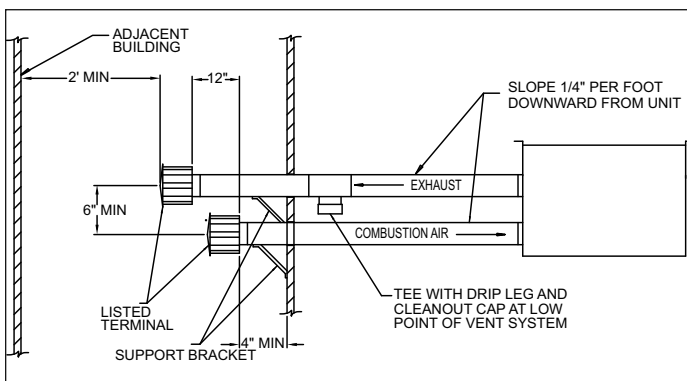
B9. Once venting is complete, proceed section titled “Installation – Gas Connections”.

INSTALLATION - VENTING

Section C – Horizontal 2-Pipe Vent System Installation

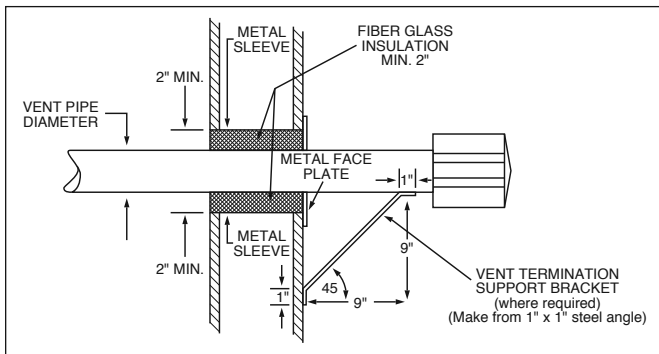
- C1. This section applies to horizontally vented 2-pipe vent systems (one combustion air inlet pipe and one vent pipe) and is in addition to "Section A – General Instructions – All Units". Category III vent systems listed by a nationally recognized agency and matching the diameters specified may be used. Different brands of vent pipe materials may not be intermixed. Under no circumstances should two sections of double wall vent pipe be joined together within one horizontal vent system due to the inability to verify complete seal of inner pipes.
- C2. Horizontal vent systems terminate horizontally (sideways).
- C3. All horizontal vents must be terminated with a listed vent cap. The cap must terminate a minimum distance from the external wall, as summarized in Figure 9.1.
- C4. The termination of horizontally vented system must extend 16" beyond the exterior surface of an exterior wall.
- C5. The combustion air pipe must be a minimum of 6" below the vent pipe, and 4" from the exterior wall.
- C6. Construct the vent system as shown in Figure 9.1.
- C10. Maintain a 1/4" per foot downward slope away from the heater and place a drip leg with clean out near the exit of the vent as shown in Figure 9.1, or allow the condensate to drip out the end.
- C11. For a vent termination located under an eave, the distance of the overhang must not exceed 24". The clearance to combustibles above the exterior vent must be maintained at a minimum of 12". Consult the National Fuel Gas Code for additional requirements for eaves that have ventilation openings.
- C12. Once venting is complete, proceed to section titled "Installation – Gas Connections".

Figure 9.1 - Horizontal Venting with Downward Pitch



- C7. When horizontal vents pass through a combustible wall (up to 22" thick), the vent passage must be constructed and insulated as shown in Figure 9.2.
- C8. The vent must be supported as shown in Figure 9.2.

Figure 9.2 - Exhaust Vent Construction Through Combustible Walls and Support Bracket



- C9. When condensation may be a problem, the vent system shall not terminate over public walkways or over an area where condensate or vapor could create a nuisance or hazard or could be detrimental to the operation of regulators, relief openings, or other equipment.

INSTALLATION - VENTING

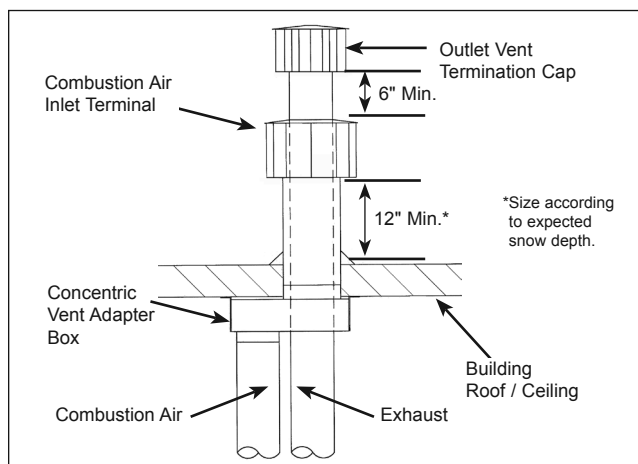
Section D – Concentric Vent System Installation

- D1. This section applies to both horizontally and vertically vented concentric vent systems as defined in "Section A – General Instructions – All Units", and is in addition to the instructions in that section.
- D2. When utilizing the concentric vent option, it should have been predetermined whether the appliance will be horizontally or vertically vented. Before proceeding, verify that the concentric vent kit received contains the correct components for the installation:

For Vertically Vented Units (Refer to Figure 10.1):

- ① Concentric adapter assembly (same for horizontal and vertical kits)
- ② Standard listed vent cap
- ③ Specially designed inlet terminal (part #5H0751540001)

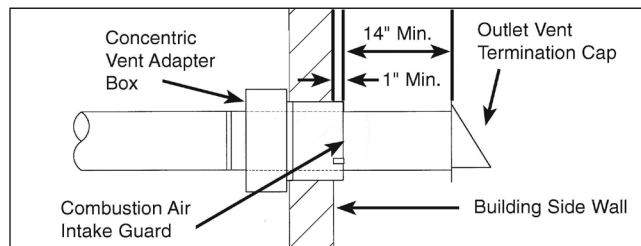
Figure 10.1 - Vertical Concentric Vent Kit Components



For Horizontally Vented Units (Refer to Figure 10.2):

- ① Concentric adapter assembly (same for horizontal and vertical kits)
- ② Special vent termination cap (part #5H0751500001)
- ③ Special inlet air guard

Figure 10.2 - Horizontal Concentric Vent Kit Components



⚠ CAUTION

The concentric vent adapter box must be installed inside of the structure or building. Do not install this box on the exterior of a building or structure.

- D3. Once the kit contents have been verified as correct for the direction of venting, the concentric vent adapter box is to be installed. Determine the location of the box. Be sure to maintain all clearances as listed in these instructions.
- D4. The adapter box is to be mounted on the interior side of the building. It must not be mounted outside the building. The adapter box has integral mounting holes for ease of installation.
- D5. The adapter box can be mounted flush to the wall (for horizontal kits) or to the ceiling (for vertical kits). The box can also be offset from the wall or ceiling by using field supplied brackets. When mounting the box, consider serviceability and access to the vent and combustion air pipes. If the box is to be mounted using field supplied brackets, these brackets must be strong enough to rigidly secure the box to the wall or ceiling, and should be made from corrosion resistant material.
- D6. Determine the length of the vent pipe and combustion air inlet pipe for the selected location. THE VENT PIPE WILL PASS THROUGH THE CONCENTRIC VENT BOX. THE LAST SECTION OF VENT PIPE IS A CONTINUOUS LENGTH OF DOUBLE WALL "B" VENT. See section A12 for attaching and terminating double wall pipe. Begin with pipe lengths on the concentric pipe side of the adapter box referring to Figures 10.1 and 10.2. These pipes will extend through the building wall or roof as well as any added length for the thickness of the wall and the offset from any field installed brackets.

For Vertical Concentric Vent Kits (refer to Figure 10.1):

- The bottom of the combustion air intake pipe must terminate above the snow line, or at least 12" above the roof, whichever distance is greater.
- The bottom of the vent cap must terminate at least 6" above the top of the combustion air intake cap.

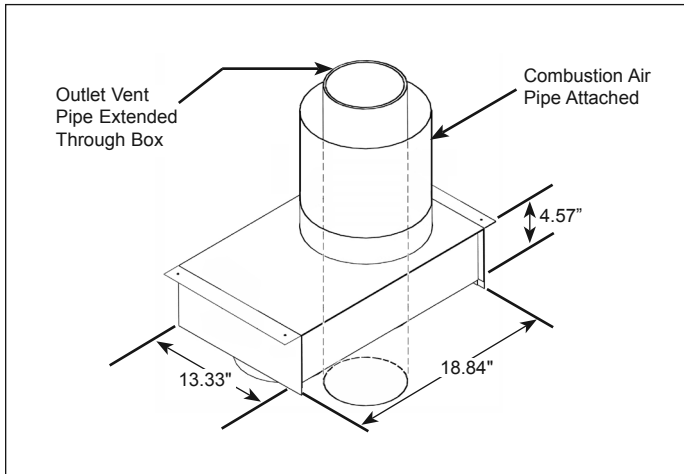
For Horizontal Concentric Vent Kits (refer to Figure 10.2):

- The combustion air intake pipe must terminate at least 1" from the wall to prevent water from running down the wall and into the pipe.
 - The back of the vent cap must terminate at least 14" from the combustion air intake pipe.
- D7. Cut the concentric side vent and combustion air pipes to the proper length as determined in the previous step. See Table 11.1 for combustion air and vent pipe sizes. The pipes must be single wall galvanized or stainless steel material, except for the last section of vent pipe, which must be one continuous length of double wall B-vent extended through the concentric vent box and combustion air inlet pipe on the concentric side of the box.
- D8. Allow the concentric side vent pipe to pass through the concentric vent adapter box, as shown in Figure 11.1. Attach the double wall vent pipe to the single wall vent pipe that goes to the unit. Be sure to seal the joint and the open area around the double wall vent. Seal all joints and seams using sealant suitable for temperatures up to 400°F.

INSTALLATION - VENTING

- D9. Slide the combustion air pipe over the vent pipe and attach to the air inlet of the concentric adapter box, as shown in Figure 11.1, using at least 3 corrosion-resistant sheet metal screws. Seal the joint and seam using sealant suitable for temperatures up to 400°F.

Figure 11.1 - Adapter Box with Combustion Air Intake Pipe Attached



- D10. Place this assembly (the adapter box, vent pipe and combustion air pipe) through the wall or roof and verify that the distance requirements as defined in Step D7 are met. Securely attach the assembly building.
- D11. From outside the building, caulk the gap between the combustion air intake pipe and the building penetration.
- D12. Attach the combustion air intake and vent pipe terminations as follows:

For Vertical Concentric Vent Kits (refer to Figure 10.1):

- Slide the combustion air cap down over the vent pipe and fasten it to the combustion air pipe with at least 3 corrosion-resistant sheet metal screws.
- Attach the vent cap to the vent pipe using at least 3 corrosion-resistant sheet metal screws. Refer to instruction A12 for connecting terminal to double wall pipe.
- Caulk the gap between the combustion air cap and the vent pipe with silicone sealant, or other appropriate sealants suitable for metal to metal contact and for temperatures up to 400° F.

For Horizontal Concentric Vent Kits (refer to Figure 10.2):

- Attach the combustion air intake guard using corrosion-resistant screws at the end of the combustion air intake pipe to prevent animals and debris from entering.
- Attach the vent cap to the vent pipe using at least 3 corrosion-resistant sheet metal screws.

- D13. For model sizes 30 and 45, attach the 3" to 4" vent transitions on the non-concentric side vent and combustion air connections using 3 corrosion resistant sheet metal screws.
- D14. Install vent pipe and combustion air pipe between unit heater and concentric vent adapter box as outlined in "Section A – General Instructions – All Units".
- D15. Once venting is complete, proceed to the section titled "Installation - Gas Connections".

Table 11.1 - Concentric Vent Pipe Sizes

Model Size	Single Wall Pipe		Type B Vent Pipe ①
	Combustion Air (To Unit)	Combustion Air (External)	Vent (Pass-Through)
30-45	3" ②	6"	4" ②
60-125	4"	6"	4"

① B-Vent must have 1/4" air gap (OD is 1/2" larger than ID).

② Use vent transitions included in concentric vent kit as described in D13.

Figure 11.2 - Adapter Box Exploded Assembly

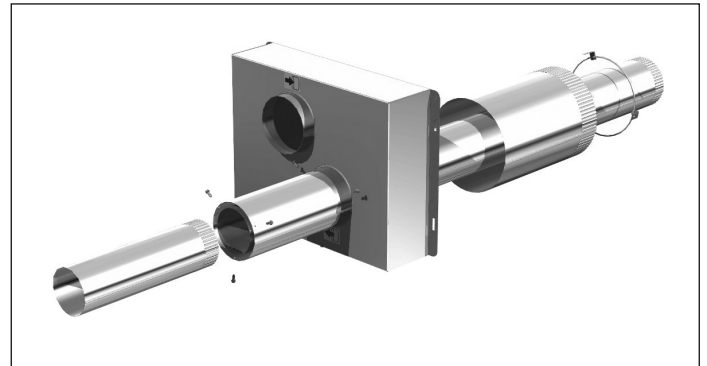


Table 11.2 - Vent Terminals (Concentric)

Model Size	Modine PN
30-45 Horizontal Concentric	5H0751500001 Vent Cap 3H0349320004 Intake Guard Assembly
30-45 Vertical Concentric	5H0722850001 Vent Cap 5H0751540004 Intake Cap
60-125 Horizontal Concentric	5H0751500001 Vent Cap 3H0349320004 Intake Guard Assembly
60-125 Vertical Concentric	5H0722850001 Vent Cap 5H0751540004 Intake Cap

INSTALLATION - GAS CONNECTIONS

GAS CONNECTIONS

⚠ WARNING

1. All field gas piping must be pressure/leak tested prior to operation. Never use an open flame. Use a soap solution or equivalent for testing.
2. Gas pressure to appliance controls must never exceed 14" W.C. (1/2 psi).
3. To reduce the opportunity for condensation, the minimum sea level input to the appliance, as indicated on the serial plate, must not be less than 5% below the rated input, or 5% below the minimum rated input of dual rated units.

⚠ CAUTION

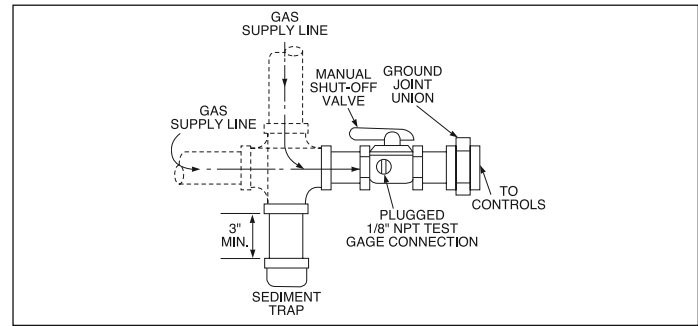
1. Purging of air from gas lines should be performed as described in ANSI Z223.1 - latest edition "National Fuel Gas Code", or in Canada CSA-B149 codes.
2. When leak testing the gas supply piping system, the appliance and its combination gas control must be isolated during any pressure testing in excess of 14" W.C. (1/2 psi).
3. The unit should be isolated from the gas supply piping system by closing its field installed manual shut-off valve. This manual shut-off valve should be located within 6' of the heater.
4. Turn off all gas before installing appliance.

IMPORTANT

To prevent premature heat exchanger failure, the input to the appliance, as indicated on the serial plate, must not exceed the rated input by more than 5%.

1. Installation of piping must conform with local building codes, or in the absence of local codes, with the National Fuel Gas Code, ANSI Z223.1 (NFPA 54) - latest Edition. In Canada, installation must be in accordance with CSA-B149.1.
2. Piping to units should conform with local and national requirements for type and volume of gas handled, and pressure drop allowed in the line. Refer to Table 12.1 to determine the cubic feet per hour (CFH) for the type of gas and size of unit to be installed. Using this CFH value and the length of pipe necessary, determine the pipe diameter from Table 12.2. Where several units are served by the same main, the total capacity, CFH and length of main must be considered. Avoid pipe sizes smaller than 1/2". Table 12.2 allows for a 0.3" W.C. pressure drop in the supply pressure from the building main to the unit. The inlet pressure to the unit must be 6-7" W.C. for natural gas and 11-14" W.C. for propane gas. When sizing the inlet gas pipe diameter, make sure that the unit supply pressure can be met after the 0.3" W.C. has been subtracted. If the 0.3" W.C. pressure drop is too high, refer to the Gas Engineer's Handbook for other gas pipe capacities.
3. Install a ground joint union with brass seat and a manual shut-off valve adjacent to the unit for emergency shut-off and easy servicing of controls, including a 1/8" NPT plugged tapping accessible for test gauge connection (see Figure 12.1).
4. Use 2 wrenches when connecting field piping to units.
5. Provide a sediment trap before each unit in the line where low spots cannot be avoided (see Figure 12.1).
6. When pressure/leak testing, pressures above 14" W.C. (1/2 psi), close the field installed shut-off valve, disconnect the appliance and its combination gas control from the gas supply line, and plug the supply line before testing. When testing pressures 14" W.C. (1/2 psi) or below, close the manual shut-off valve on the appliance before testing.

Figure 12.1 - Recommended Sediment Trap/Manual Shut-off Valve Installation - Side or Bottom Gas Connection ①



① Manual shut-off valve is in the "OFF" position when handle is perpendicular to pipe.

Table 12.1 - Sea Level Manifold Pressure & Gas Consumption

Model Size	BTU/Cu. Ft. Specific Gravity	Natural	Propane	No. of Orifices
		1050 0.60	2500 1.53	
Manifold Pressure In. W.C.		3.5	10.0	
30	CFH	28.6	12.0	2
	Gal/Hr. Propane		.33	
	Sec/cu. ft. Orifice Drill Size	126 49	300 56	
45	CFH	42.9	18.0	3
	Gal/Hr. Propane		.50	
	Sec/cu. ft. Orifice Drill Size	84 49	200 56	
60	CFH	57.1	24.0	4
	Gal/Hr. Propane		.66	
	Sec/cu. ft. Orifice Drill Size	63 49	150 56	
75	CFH	71.4	30.0	5
	Gal/Hr. Propane		.83	
	Sec/cu. ft. Orifice Drill Size	50 49	180 56	
100	CFH	95.2	40	5
	Gal/Hr. Propane		1.09	
	Sec/cu. ft. Orifice Drill Size	38 45	90 55	
125	CFH	119	50	5
	Gal/Hr. Propane		1.37	
	Sec/cu. ft. Orifice Drill Size	30 42	72 53	

Table 12.2 - Gas Pipe Capacities - Natural Gas ①②

Pipe Length (ft)	Natural Gas					
	1/2"	3/4"	1"	1-1/4"	1-1/2"	2"
10	132	278	520	1050	1600	3050
20	92	190	350	730	1100	2100
30	73	152	285	590	890	1650
40	63	130	245	500	760	1450
50	56	115	215	440	670	1270
60	50	105	195	400	610	1150
70	46	96	180	370	560	1050
80	43	90	170	350	530	930
100	38	79	150	305	460	870
125	34	72	130	275	410	780
150	31	64	120	250	380	710

① Capacities in cubic feet per hour through Schedule 40 pipe with maximum 0.3" W.C. pressure drop with up to 14" W.C. gas pressure. Specific gravity is 0.60 for natural gas and 1.50 for propane gas.

② For pipe capacity with propane gas, divide natural gas capacity by 1.6. Example: What is the propane gas pipe capacity for 60' of 1-1/4" pipe? The natural gas capacity is 400 CFH. Divide by 1.6 to get 250 CFH for propane gas.

INSTALLATION - HIGH ALTITUDE ACCESSORY KIT

HIGH ALTITUDE ACCESSORY KIT

Modine's gas-fired equipment standard input ratings are certified by ETL. For elevations above 2,000', ANSI Z223.1 requires ratings be reduced 4 percent for each 1000' above sea level. For units in Canada, CSA requires that ratings be reduced 10 percent at elevations above 2,000'. The high altitude adjustment instructions and pressure switch kits listed in this manual are for use with units that will be installed over 2,000'. These methods and kits comply with both ANSI Z223.1 and CSA requirements.

If a unit is to be installed at higher elevations AND converted from natural gas to propane gas operation, a propane conversion kit must be used in conjunction with the pressure adjustment methods and pressure switch kits listed herein. For the selection and installation instructions for propane conversion kits, please see the latest revision of Modine Manual 75-515.

Selection of the Proper Pressure and Kit

To determine the proper manifold pressure at altitude and if required, the proper combustion air pressure switch kit, the full model number of the heater, the fuel to be used, and the altitude the unit will be installed at must be known. Refer to the unit serial plate or carton label to obtain the necessary information about the unit.

After obtaining this information, refer to the gas pressure and selection charts shown in Tables 13.1 through 13.3. The pressure charts are differentiated by elevation, fuel type, and country the product is being installed in. The selection charts are differentiated by product type, altitude and fuel type. **If converting from natural gas to propane gas and operation at high altitude, both a propane conversion kit and a pressure switch kit must be used (if applicable).** Selection charts include the proper kit suffix, when required.

Table 13.1 - Natural Gas Heating Values at Altitude ①③④

Altitude (ft)	Gas Heating Values at Altitude (BTU/ft ³)	
	USA	Canada
0-2,000	1,050	1,050
2,001-3,000	929	945
3,001-4,000	892	
4,001-4,500	874	
4,501-5,000	856	856
5,001-6,000	822	822
6,001-7,000	789	789
7,001-8,000	757	757
8,001-9,000	727	727
9,001-10,000	698	698

① Values shown are for 3.5" W.C. manifold pressure, for other BTU content values (available from local utility) use Equation 14.1 to calculate manifold pressure.

② Values shown are for 10.0" W.C. manifold pressure, for other BTU content values (available from local utility) use Equation 14.1 to calculate manifold pressure.

③ When installed at altitudes above 2,000', a pressure switch may need to be changed. Refer to Table 13.3 to determine if a switch change is required.

④ Gas heating values are derated 4% per 1,000' of elevation in the USA and 10% between 2,000' and 4,500' elevation in Canada in accordance with ANSI Z223.1 and CSA-B149, respectively.

Table 13.3 - High Altitude Kits for HDS/HDC ①

Model Size	Details	U.S.A and Canada								
		0-2,000 ft	2,001-2,500 ft	2,501-4,500 ft	4,501-5,500 ft	5,501-6,500 ft	6,501-7,500 ft	7,501-8,500 ft	8,501 - 9,500 ft	9,501-10,000 ft
30	Kit Suffix	Not Required	Label Only	Label Only	0003	0005	0005	0010	0010	0010
	Item Code				68407	68409	68409	68414	68414	68414
45	Kit Suffix	Not Required	Label Only	0002	0004	0003	0006	0010	0010	0011
	Item Code			68406	68408	68407	68410	68414	68414	68415
60	Kit Suffix	Not Required	Label Only	0003	0003	0005	0007	0011	0011	0011
	Item Code			68407	68407	68409	68411	68415	68415	68415
75	Kit Suffix	Not Required	Label Only	0003	0003	0005	0007	0011	0011	0011
	Item Code			68407	68407	68409	68411	68415	68415	68415
100	Kit Suffix	Not Required	Label Only	Label Only	Label Only	0004	0004	0004	0004	0004
	Item Code					68408	68408	68408	68408	68408
125	Kit Suffix	Not Required	Label Only	Label Only	Label Only	0004	0004	0004	0004	0004
	Item Code					68408	68408	68408	68408	68408

① For Label Only kits, Modine part number 5H0807146005 is required to be filled out and attached to the unit by the installer. Please contact the local Modine representative at 1.866.828.4328 (HEAT).

Manifold Pressure Adjustment

The inlet pressure to the unit must be confirmed to be within acceptable limits (6-7" W.C. for natural gas and 11-14" W.C. for propane gas) before opening the shutoff valve or the combination gas valve may be damaged.

Heaters for the use with natural gas have gas valves that need to be field adjusted to 3.5" W.C. manifold pressure at 7.0" W.C. inlet pressure.

Units for use with **propane gas** have gas valves that need to be field adjusted to 10.0" W.C. manifold pressure at 14.0" W.C. inlet pressure.

Installation above 2,000' elevation requires adjustment of the manifold pressure as described.

Derated BTU Content Gas and Manifold Pressure Calculation

Some utility companies may derate the BTU content (heating value) of the gas provided at altitude to a value other than 1,050 BTU/ft³ for natural gas or 2,500 BTU/ft³ for propane gas to allow certain heating appliances to be used with no manifold pressure adjustments. For this reason it is necessary that the supplying utility be contacted for detailed information about the gas type and BTU content (heating value) before operating any heater. Tables 13.1 and 13.2 show the standard derated heating values (4% per 1,000' of elevation in the USA and 10% between 2,001' and 4,500' elevation in Canada) of natural and propane gases at various altitudes. If the utility is supplying gas with heating values as shown in Tables 13.1 and 13.2, the manifold pressure should be set to 3.5" W.C for natural gas and 10.0" W.C. for propane gas.

NOTE: Only the high fire gas pressure need be adjusted, low fire gas pressure should remain the same.

Table 13.2 - Propane Gas Heating Values at Altitude ②③④

Altitude (ft)	Gas Heating Values at Altitude (BTU/ft ³)	
	USA	Canada
0-2,000	2,500	2,500
2,001-3,000	2,212	2,250
3,001-4,000	2,123	
4,001-4,500	2,080	
4,501-5,000	2,038	2,038
5,001-6,000	1,957	1,957
6,001-7,000	1,879	1,879
7,001-8,000	1,803	1,803
8,001-9,000	1,731	1,731
9,001-10,000	1,662	1,662

INSTALLATION - HIGH ALTITUDE ACCESSORY KIT

If the heating value of the gas being supplied is different than the values shown in Tables 13.1 and 13.2, use the following equation to determine the appropriate manifold pressure for the altitude and gas heating value being supplied.

Equation 14.1 - Manifold Pressure for Derated Gas

$$MP_{ACT} = \left(\frac{BTU_{TBL}}{BTU_{ACT}} \right)^2 \times MP_{SL}$$

WHERE:

- MP_{ACT}** = **Manifold Pressure (in. W.C.) at Altitude** –
Manifold pressure setting for the heater being installed
- BTU_{TBL}** = **BTU/ft³ Content of Gas** –
Obtained from Tables 13.1 or 13.2 (whichever is applicable)
- BTU_{ACT}** = **BTU/ft³ Content of Gas** –
Obtained from the local utility company
- MP_{SL}** = **Manifold Pressure (in. W.C.), at Sea Level** –
Use 3.5" W.C. for natural gas and 10.0" W.C. for propane gas

NOTE: Only the primary manifold pressure should be adjusted on units equipped with two-stage or modulating gas controls. No adjustments to the low Fire manifold pressure are necessary on these units.

INSTALLATION - ELECTRICAL CONNECTIONS

ELECTRICAL CONNECTIONS

WARNING

1. Disconnect power supply before making wiring connections to prevent electrical shock and equipment damage.
2. All appliances must be wired strictly in accordance with wiring diagram furnished with the appliance. Any wiring different from the wiring diagram could result in a hazard to persons and property.
3. Any original factory wiring that requires replacement must be replaced with wiring material having a temperature rating of at least 105°C.
4. Ensure that the supply voltage to the appliance, as indicated on the serial plate, is not 5% greater than rated voltage.
5. When the unit on/off toggle switch is in the "OFF" position, supply power remains energized at the rear of the switch. When a factory or field installed motor starting device such as a relay or contactor are present, supply power terminals of these components may remain energized even in the "OFF" position. When providing service on or near these terminals, de-energize building supply power to the unit.

CAUTION

Ensure that the supply voltage to the appliance, as indicated on the serial plate, is not 5% less than the rated voltage.

1. Installation of wiring must conform with local building codes, or in the absence of local codes, with the National Electric Code ANSI/NFPA 70 - Latest Edition. Unit must be electrically grounded in conformance to this code. In Canada, wiring must comply with CSA C22.1, Part 1, Electrical Code.
2. Two copies of the unit wiring diagram are provided with each unit. One is located in the side access control compartment and the other is supplied in the literature packet. Refer to this diagram for all wiring connections.
3. Make sure all multi-voltage components (motors, transformers, etc.) are wired in accordance with the power supply voltage.
4. The power supply to the unit must be protected with a fused or circuit breaker switch.
5. The power supply must be within 5 percent of the voltage rating and each phase must be balanced within 2 percent of each other. If not, advise the utility company.
6. External electrical service connections that must be installed include:
 - a. Supply power connection (115, 208, 230, 460, or 575 volts).
 - b. Connection of thermostats, or any other accessory control devices that may be supplied (24 volts).

NOTE: All units with supply voltage 208V and greater must use a field installed step-down transformer, available as a separate accessory. Refer to Table 15.1 for additional information on the required transformer.

7. Refer to Figures 18.1 and 18.2 for the side access control compartment location.
8. All supply power electrical connections are made in the side access control compartment of the unit. The low voltage (thermostat and accessory control devices) can be wired to the terminals in the side access control compartment. Refer to the wiring diagram for the terminal location of all low voltage wiring.

9. Separated combustion models include a factory installed on/off toggle switch. The function of this switch is to disconnect power to the unit for maintenance or to shut the unit off in warm weather. Toggle switch is rated at 15amps at 125 volts or up to 3/4 HP at 125 volts.

INSTALLATION - ELECTRICAL CONNECTIONS

ELECTRICAL CONNECTIONS

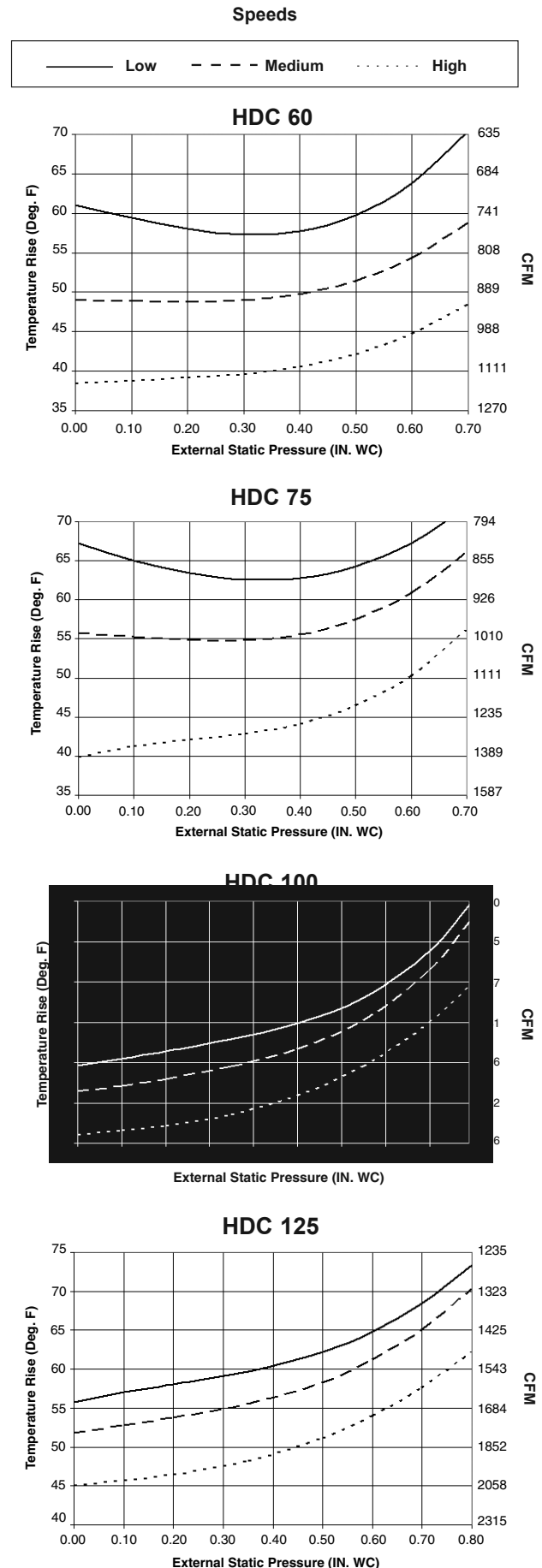
Location of thermostat should be determined by heating requirements and be mounted on an inside wall about 5' above floor level where it will not be affected by heat from the unit or other sources, or drafts from frequently opened doors. See instructions packed with thermostat.

Wiring Adjustments for Blower Motors

The blowers used on Modine HDC units are direct drive and equipped with three speed motors. Air temperature rise of the unit is determined by the speed setting and the amount of static pressure in the system. Units are normally shipped with motors set at high speed. Motor speed is changed by connecting the motor lead for the desired fan speed to the "EAC" or "Blo" terminal of the control board. Unused motor leads for other speeds are placed on the "Park" terminals of the board. See the wiring diagram on page 21.

When applying a blower equipped unit to a duct system or other load, consult the performance curves on this page to determine the air temperature rise for a given motor speed range and static pressure. Verify that the static pressure on the outlet of the unit does not exceed the maximum specified for the unit. If static pressure is too high it must be reduced either by modifications to the system or using the medium or low motor speed. If the unit shuts down on high limit during normal operation, a higher motor speed should be used.

Blower Curve Models (HDC 60-125 Only)



INSTALLATION - OPERATION

OPERATION

IMPORTANT

1. To prevent premature heat exchanger failure, observe heat exchanger tubes. If the tubes become red while blower and furnace are in operation, check to be sure the blower has been set to the proper rpm for the application. Refer to page 16 for blower adjustments.
2. Start-up and adjustment procedures must be performed by a qualified service agency.

Prior to Operation

Although this unit has been assembled and fire-tested at the factory, the following pre-operational procedures should be performed to assure proper on-site operation.

1. Turn off power to the unit at the disconnect switch. Check that fuses or circuit breakers are in place and sized correctly. Turn all hand gas valves to the "OFF" position.
2. Remove the side control access panel.
3. Check that the supply voltage matches the unit supply voltage listed on the Model Identification plate. Verify that all wiring is secure and properly protected. Trace circuits to insure that the unit has been wired according to the wiring diagram. If installed at altitudes above 2,000' and the high altitude kit includes a combustion air proving switch, replace the switch in the unit with the switch provided in the kit. Take care to ensure that the tubing and electrical connections are securely fastened.
4. Check to insure that the venting system is installed correctly and free from obstructions. Before you start use the following steps to verify that the venting system is adequately sized:
 - a. Seal any unused openings in the venting system.
 - b. Inspect the venting system for proper size and horizontal pitch, as required in the National Fuel Gas Code ANSI Z223.1 (NFPA 54) or CSA B149.1 Installation Code-latest edition and these instructions. Determine that there is no blockage or restriction, leakage, corrosion and other deficiencies, which could cause an unsafe condition.
 - c. In so far as practical, close all building doors and windows and all doors between the space in which the appliance(s) connected to the venting system are located and other spaces of the building. Turn on clothes dryers and any exhaust fans such as range hoods and bathroom exhausts, so they shall operate at maximum speed. Do not operate a summer exhaust fan. Close fireplace dampers.
 - d. Follow the lighting instructions. Place the appliance being inspected in operation. Adjust thermostat so that the appliance will operate continuously.
 - e. After it has been determined that each appliance connected to the venting system properly vents when tested as outlined above, return doors, windows, exhaust fans, fireplace dampers and any other gas-burning appliance to their previous conditions of use.
 - f. If improper venting is observed during any of the above tests, the venting system must be corrected.
5. Check to see that there are no obstructions to the intake and discharge of the unit.
6. Check fan clearance. Fan should not contact casing when spun by hand.
7. Check to make sure that all filters are in place and that they are installed properly according to direction of air flow (if applicable).
8. Perform a visual inspection of the unit to make sure no damage has occurred during installation. Check to ensure all fasteners are in place and the burner openings are properly aligned with the heat exchanger tubes and that the gas orifices are centered in the burner inspirator tube opening.

9. Check that all horizontal deflector blades are open a minimum of 30° as measured from vertical.
10. Turn on power to the unit at the disconnect switch.
11. Check the thermostat, ignition control, gas valve, and supply fan blower motor for electrical operation. If these do not function, recheck the wiring diagram.
12. Check the blower wheel for proper direction of rotation when compared to the air flow direction arrow on the blower housing (if applicable). Blower wheel rotation, not air movement, must be checked as some air will be delivered through the unit with the blower wheel running backwards.
13. For blower units, check the blower speed (rpm). Refer to blower adjustments for modification.
14. Check the motor speed (rpm).
15. Check the motor voltage.
16. Check the motor amp draw to make sure it does not exceed the motor nameplate rating.
17. Recheck the gas supply pressure at the field installed manual shut-off valve. The minimum inlet pressure should be 6" W.C. on natural gas and 11" W.C. on propane gas. The maximum inlet pressure for either gas is 14" W.C. If inlet pressure exceeds 14" W.C., a gas pressure regulator must be added upstream of the combination gas valve.
18. Open the field installed manual gas shut-off valve.
19. Place the manual main gas valve on the combination gas valve in the "ON" position. Call for heat with the thermostat.
20. Check to make sure that the main gas valve opens. Check the manifold gas pressure (see "Main Gas Adjustment") while the supply fan blower is operating.
21. Check to insure that gas controls sequence properly (see "Control Operating Sequence"). If you are not familiar with the unit's controls (i.e. combination gas control), refer to the control manufacturer's literature supplied with the unit.
22. Once proper operation of the unit has been verified, remove any jumper wires that were required for testing.
24. Replace the side control access panel.
25. If installed at altitudes above 2,000', affix label included with high altitude kit and fill in all fields with a permanent marker.

Main Burner Adjustment

The gas pressure regulator (integral to the combination gas control) is adjusted at the factory for average gas conditions. It is important that gas be supplied to the unit heater in accordance with the input rating on the serial plate. Actual input should be checked and necessary adjustments made after the unit heater is installed. Over-firing, a result of too high an input, reduces the life of the appliance and increases maintenance. Under no circumstances should the input exceed that shown on the serial plate. Measuring the manifold pressure is done at the outlet pressure tap of the gas valve.

To Adjust the Manifold Pressure

1. Move the field installed manual shut-off valve to the "OFF" position.
2. Remove the 1/8" pipe plug from the outlet pressure tap on the gas valve and attach a water manometer of "U" tube type which is at least 12" high.
3. Move the field installed manual gas shut-off valve to the "ON" position.
4. Create a high-fire call for heat from the thermostat.
5. Refer to Table 12.1 to determine the correct high fire manifold pressure for the gas type of the unit. Pressures at 0-2,000' elevation are 3.5" W.C. for natural gas, 10" W.C. for propane gas, for elevations above 2,000' refer to the instructions on page 13. Adjust the main gas pressure regulator spring to achieve the proper manifold pressure (for location, see the combination gas control literature supplied with unit).
6. After adjustment, move the field installed manual shut-off valve to the "OFF" position and replace the 1/8" pipe plug.
7. After the plug is in place, move the field installed manual shut-off valve to the "ON" position and recheck pipe plugs for gas leaks with soap solution.

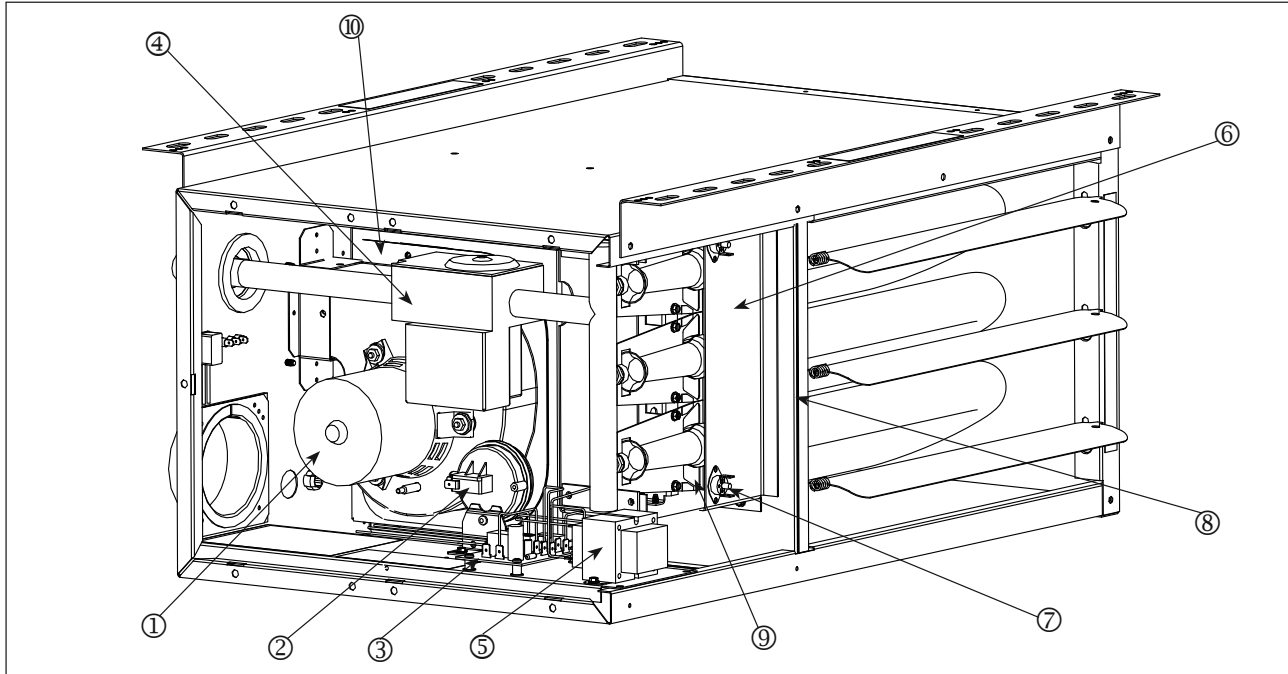
CONTROL OPERATING SEQUENCE / UNIT COMPONENTS

CONTROL OPERATING SEQUENCE

Upon a call for heat from the thermostat, power is supplied to the power exhauster motor. The unit will go through a purge period and then the direct spark igniter will be energized. At the same time, the main valve in the combination control valve will open to allow gas to flow to the burners. If the fan motor has not

already started it will start shortly. If a flame is not sensed for any reason the main valve will close and there will be a short purge period before ignition is tried again. If the flame is not sensed after 4 tries there will be at least a one hour wait before ignition is tried again.

Figure 18.1 - Major Gas, Electrical Service, Safety and Other Components



- | | | |
|--|--------------------------------------|---|
| 1. Power Exhauster | 5. Control Transformer | 9. Direct Spark Igniter (hidden) |
| 2. Pressure Switch | 6. Flame Sensor (hidden) | 10. Manual Reset Control (hidden, propeller 100-125 only) |
| 3. Integrated Direct Spark Control Board | 7. Flame Rollout Switch | |
| 4. Combination Gas Control | 8. Auto Reset Limit Control (hidden) | |

Figure 18.2 - Unit Heater Rear View

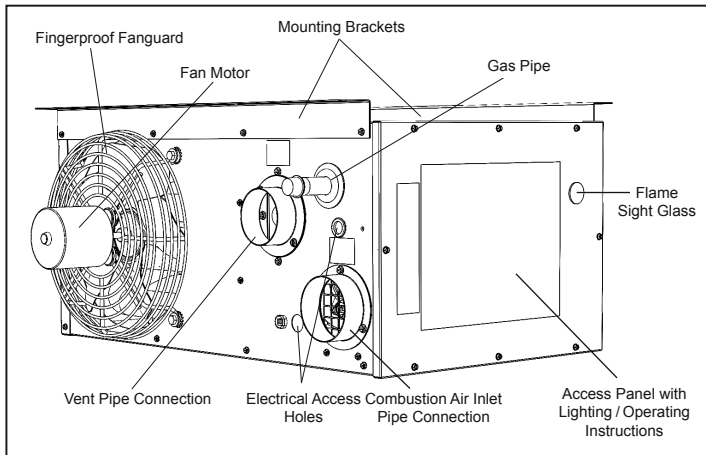


Table 18.1 - Control Options

Control Description	Control Code No.	Service Voltage	Thermostat Voltage	Type of Gas	Model Size
Single-Stage, Direct Spark Ignition, 100% Shut-Off with Continuous Retry - Utilizes a single-stage combination gas control with ignition control. Gas is lit with a direct spark igniter on call for heat.	11	115V	24V	natural	30-125
	21	115V	24V	propane	30-125
Two-Stage, Direct Spark Ignition, 100% Shut-Off with Continuous Retry - Utilizes a two-stage combination gas control with built-in ignition control. Firing rate is 100% and 50% of full rated input. Gas is lit with a direct spark igniter on call for heat.	12	115V	24V	natural	75-125
	22	115V	24V	propane	75-125

DIMENSIONS / GENERAL PERFORMANCE DATA - HDS/HDC

Figure 19.1 - Dimensional Drawings

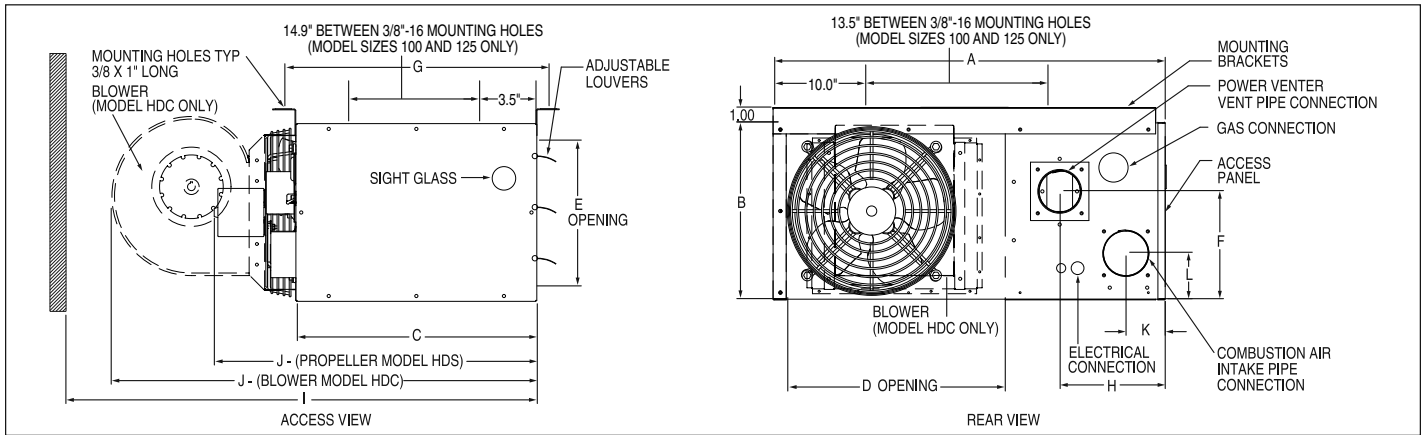


Table 19.1 - Dimensions (inches)

Dimension	Propeller Model Size - HDS						Blower Model Size - HDC		
	30	45	60	75	100	125	60	75	100/125
A	26.8	26.8	26.8	26.8	35.5	35.5	26.8	26.8	35.5
B	12.2	12.2	18	18	20.5	20.5	18	18	20.5
C	16.5	16.5	16.5	16.5	22	22	16.5	16.5	22
D	14.9	14.9	14.9	14.9	22.5	22.5	14.9	14.9	22.5
E	10.1	10.1	15.9	15.9	18.4	18.4	15.9	15.9	18.4
F	7.25	7.25	10.75	10.75	14	14	10.75	10.75	14
G	18.5	18.5	18.5	18.5	-	-	18.5	18.5	-
H	7.6	7.6	7.835	7.835	8.4	8.4	7.835	7.835	8.4
I	34.5	34.5	34.5	34.5	43	43	35.5	35.5	44.5
J	22	22	25	25	30.67	30.74	32.5	32.5	41.5
K	2.74	2.74	3.15	3.15	3.87	3.87	3.15	3.15	3.87
L	3.19	3.19	5.55	5.55	10.73	10.73	5.55	5.55	10.73
Vent and Combustion Air Connector Size	3	3	4	4	4	4	4	4	4
Gas Connection	1/2	1/2	1/2	1/2	1/2	1/2	1/2	1/2	1/2
Fan or Blower Diameter	10	10	14	14	18	18	9 - 7	9 - 7	10 - 10
Approx. Weight (lbs.)	55	60	80	85	125	125	92	97	151

Figure 19.2 - Mounting Bracket Slot Locations

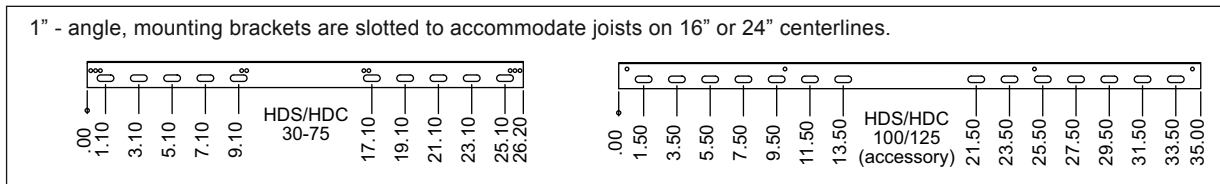


Table 19.2 - Propeller Model HDS Performance

	Model HDS Sizes					
	30	45	60	75	100	125
Btu/Hr Input	30,000	45,000	60,000	75,000	100,000	125,000
Btu/Hr Output	24,600	36,900	49,200	61,500	82,000	102,500
Entering Airflow (CFM) @ 70°F	505	720	990	1160	1490	1980
Outlet Velocity (FPM)	523	725	653	769	565	747
Air Temp. Rise (°F)	44	46	45	48	50	47
Max. Mounting Height (Ft.)	10	10	12	14	12	16
Heat Throw (Ft.) (@ Max Mtg Ht.)	25	27	36	38	42	56
Motor Type	SP	SP	PSC	PSC	SP	PSC
Motor HP	1/15	1/15	1/12	1/12	1/12	1/8
Motor RPM	1550	1550	1625	1625	1050	1625

Table 19.3 - Blower Model HDC Performance

	Model HDC Sizes			
	60	75	100	125
Btu/Hr Input ①	60,000	75,000	100,000	125,000
Btu/Hr Output ①	49,200	61,500	82,000	102,500
Entering Airflow Range (CFM)	635-1111	794-1389	1140-2116	1235-2058
Outlet Velocity (FPM)	437-726	546-908	443-781	488-773
Air Temp. Rise (°F)	40-70	40-70	35-65	45-75
Max. Mounting Height (Ft.) ②	7-13	7-16	8-19	8-17
Heat Throw (Ft.) (@ Max Mtg Ht.) ②	20-45	24-57	27-68	27-59
Motor Type ③	P.S.C.	P.S.C.	P.S.C.	P.S.C.
Motor HP	1/4	1/3	1/2	1/2
Motor RPM	Max 1100	Max 1100	Max 1100	Max 1100

① Ratings shown are for elevations up to 2,000 feet. For elevations above 2,000 feet, ratings should be reduced at the rate of 4% for each 1,000 feet above sea level. (In Canada see rating plate.) Reduction of ratings requires use of a high altitude kit.
 ② Data taken at 55°F air temperature rise. At 65°F ambient and unit fired at full-rated input. Mounting height as measured from bottom of unit, and without deflector hoods.

SERVICE / MAINTENANCE / TROUBLESHOOTING

WARNING

When servicing or repairing this equipment, use only factory-approved service replacement parts. A complete replacement parts list may be obtained by contacting the factory. Refer to the rating plate on the appliance for complete appliance model number, serial number, and company address. Any substitution of parts or controls not approved by the factory will be at the owner's risk.

CAUTION

1. Service or repair of this equipment must be performed by a qualified service agency.
2. Do not attempt to reuse any mechanical or electrical controllers which have been wet. Replace defective controller.

To check most of the possible remedies in the troubleshooting guide listed in Table 20.1, refer to the applicable sections of the manual.

General Maintenance

The unit and venting system must be checked once a year by a qualified service technician.

All installation and service of these units must be performed by a qualified installation and service agency.

Before any service, BE SURE TO TURN OFF GAS AT THE MANUAL SHUT-OFF VALVE AHEAD OF THE COMBINATION GAS CONTROL AND TURN OFF ALL ELECTRIC POWER TO THE HEATER.

1. Service air moving components annually.
 - a. Check fan for fit on motor shaft and for damage to blades.
2. Keep unit free from dust, dirt, grease, and foreign matter, paying particular attention to:
 - a. Combustion air inlets.
 - b. Burners and burner orifices. Turn off gas ahead of the combination gas control and shut off electric power to the heater. Remove the access panel, open the union on the gas line, and disconnect the igniter and sensor wires. Remove the screws that attach the burner tray to the header plate and remove the burner tray and manifold assembly from the heater. Carefully clean the burners with a wire brush or other suitable means. Replace any damaged or deteriorating burners or orifices. Install the burner assembly back on to the header making certain that all screws, pipes and electrical connections are tight.

CAUTION: Be careful when handling the igniter and flame sensor.

3. Inspect the flame sensor and igniter for deterioration and/or cracks.
4. Verify that the burners are touching each other at the carryover points. This will ensure flame carryover from burner to burner.
 - a. Clean exterior of heat exchanger tubes.
 - b. Fan blade.
5. Check wiring for possible loose connections.
6. Controls – The gas valves and piping should be checked annually for general cleanliness and tightness. The gas controls should be checked to insure that the unit is operating properly. See control instruction sheets furnished separately with the unit heater.
7. Power exhaust assembly/motors – The power exhaust motor bearings have been lubricated for long life and do not require additional lubrication. In dirty atmosphere, it may be desirable to clean the motors and blower housing and blow out the cooling air passages of the motor with compressed air.
8. Perform periodic cleaning of inlet and vent terminal screens.

Table 20.1 - Troubleshooting

TROUBLE	POSSIBLE CAUSE	POSSIBLE REMEDY
Unit does nothing	<ol style="list-style-type: none"> 1. Power supply is off 2. No 24V power to thermostat 3. Thermostat malfunction 4. LED flashes 5. Blown fuse on control board 6. Defective control 	<ol style="list-style-type: none"> 1. Turn on main power 2 a. Check control transformer <ol style="list-style-type: none"> b. If failed transformer - check thermostat wire gage and length 3 a. Verify wire connections to R&W terminals only <ol style="list-style-type: none"> b. Check / replace thermostat 4. Check LED flash code 5. Replace fuse 6. Replace control
LED light off or flashing	<ol style="list-style-type: none"> 1. Blown fuse on control board 2. Multiple causes 	<ol style="list-style-type: none"> 1. Replace fuse 2. Control board LED flash codes vary with control type. A decal is installed in the unit giving a brief description of the applicable codes for your heater. For more detail, see the control board data sheet included with the unit.
Unit starts but does not ignite	<ol style="list-style-type: none"> 1. Main gas is off 2. Air in gas line 3. Main or manifold gas pressure 4. Check gas valve switch 	<ol style="list-style-type: none"> 1. Open manual gas valve 2. Purge gas line 3. Set gas pressures per manual instructions 4. Set gas valve switch to "ON" position
Unit goes through cycle but the burners go out in less than 10 seconds Air circulating fan inoperable	<ol style="list-style-type: none"> 1. Reversed main power polarity 2. Unit not grounded 3. Flame not sensed 1. Loose connections 2. Defective control board 3. Defective fan motor 	<ol style="list-style-type: none"> 1. Black wire - HOT, White wire - NEUTRAL, Green wire - GROUND 2. Ground unit and verify quality of ground connection 3. Check flame sense probe and connection 1. Check all connections 2. Check control board data sheet and function 3. Check fan motor

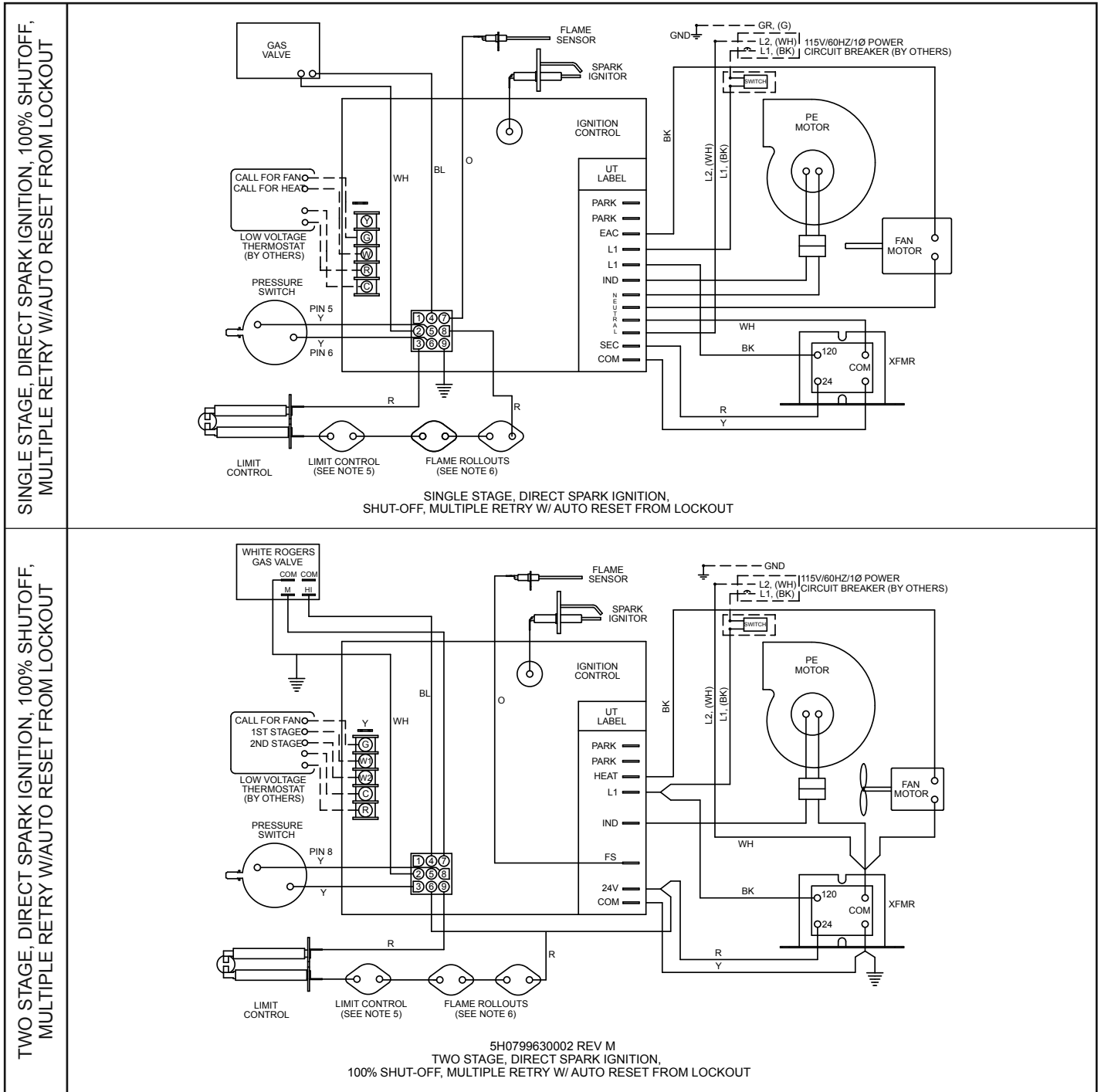
UNIT WIRING

Wiring Diagram Selection

Since internal or factory wiring may vary depending on the controls manufacturer, the wiring diagrams must be appropriately selected with the proper gas valve and ignition

type. The following wiring diagram represents a unit equipped with a single stage gas valve, and direct spark ignition.

Figure 21.1 - Unit Heater Wiring Diagram (Single and Two Stage, Direct Spark Ignition)



NOTES TO INSTALLER:

1. ALL WIRING MUST COMPLY WITH NATIONAL ELECTRIC CODE AND ALL LOCAL CODES.
2. ALL COMPONENTS MUST AGREE WITH THEIR RESPECTIVE POWER SOURCE.
3. VERIFY THE POWER SOURCE AND THE UNIT POLARITY.
4. USE TYPE 105°C REPLACEMENT WIRE 300V OR GREATER.
5. USED ON PROPELLER MODELS 100 AND LARGER.
6. TWO SWITCHES: 30-75, ONE SWITCH: 100-125 NOT USED ON 150-400 UNITS.

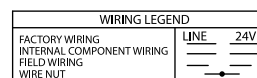
CAUTION:

FAILURE TO WIRE THIS UNIT ACCORDING TO THIS WIRING DIAGRAM MAY RESULT IN INJURY TO THE INSTALLER OR USER. FOR DEVIATIONS CONTACT THE FACTORY.

MOTOR LEAD COLOR FOR DIRECT DRIVE BLOWER MOTORS ONLY.

WH - NEUTRAL BL - MED
BK - HI RED - LO

ATTACH WIRES NOT USED TO "PARK" TERMINALS
UNITS ARE FACTORY WIRED FOR HIGH SPEED OPERATION.



◇ INDICATES TERMINAL BOARD CONNECTION

SERIAL & MODEL NUMBER / REPLACEMENT PARTS

Figure 22.1 - Model Number Designations (Remove access cover to locate)

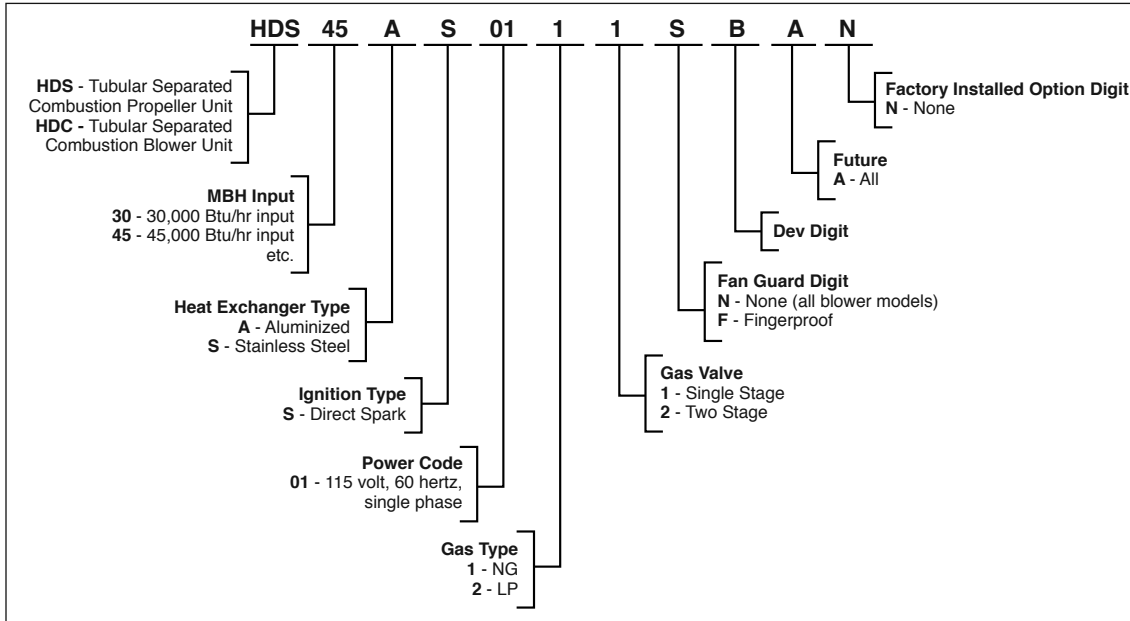
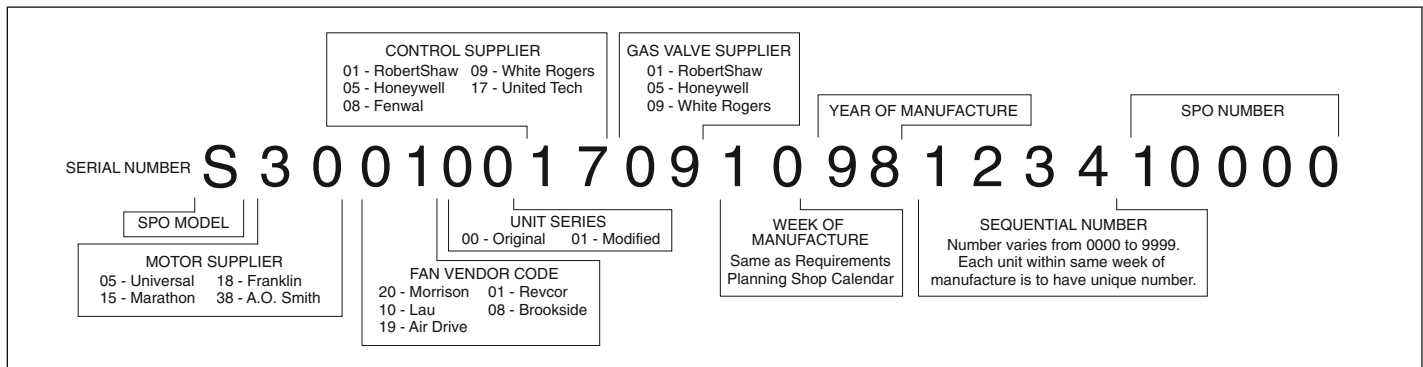


Figure 22.2 - Serial Number Designations (Remove access cover to locate)



Replacement Parts

When requesting parts please contact your local representative. Please have full model and serial number available. If you require assistance in locating your representative, please call the number located on the back page.

THIS PAGE INTENTIONALLY LEFT BLANK

COMMERCIAL WARRANTY

Seller warrants its products to be free from defects in material and workmanship, EXCLUSIVE, HOWEVER, of failures attributable to the use of materials substituted under emergency conditions for materials normally employed. This warranty covers replacement of any parts furnished from the factory of Seller, but does not cover labor of any kind and materials not furnished by Seller, or any charges for any such labor or materials, whether such labor, materials or charges thereon are due to replacement of parts, adjustments, repairs, or any other work done. This warranty does not apply to any equipment which shall have been repaired or altered outside the factory of Seller in any way so as, in the judgment of Seller, to affect its stability, nor which has been subjected to misuse, negligence, or operating conditions in excess of those for which such equipment was designed. This warranty does not cover the effects of physical or chemical properties of water or steam or other liquids or gases used in the equipment.

BUYER AGREES THAT SELLER'S WARRANTY OF ITS PRODUCTS TO BE FREE FROM DEFECT IN MATERIAL AND WORKMANSHIP, AS LIMITED HEREIN, SHALL BE IN LIEU OF AND EXCLUSIVE OF ALL OTHER WARRANTIES, EITHER EXPRESS OR IMPLIED, WHETHER ARISING FROM LAW, COURSE OF DEALING, USAGE OF TRADE, OR OTHERWISE, THERE ARE NO OTHER WARRANTIES, INCLUDING WARRANTY OF MERCHANTABILITY OR FITNESS FOR PURPOSE, WHICH EXTEND BEYOND THE PRODUCT DESCRIPTION CONFIRMED BY BUYER AND SELLER AS OF THE DATE OF FINAL AGREEMENT.

This warranty is void if the input to the product exceeds the rated input as indicated on the product serial plate by more than 5% on gas-fired and oil-fired units, or if the product in the judgment of SELLER has been installed in a corrosive atmosphere, or subjected to corrosive fluids or gases, been subjected to misuse, negligence, accident, excessive thermal shock, excessive humidity, physical damage, impact, abrasion, unauthorized alterations, or operation contrary to SELLER'S printed instructions, or if the serial number has been altered, defaced or removed.

BUYER'S REMEDY FOR BREACH OF WARRANTY, EXCLUSIVE OF ALL OTHER REMEDIES PROVIDED BY LAW, IS LIMITED TO REPAIR OR REPLACEMENT AT THE FACTORY OF SELLER, ANY COMPONENT WHICH

SHALL, WITHIN THE APPLICABLE WARRANTY PERIOD DEFINED HEREIN AND UPON PRIOR WRITTEN APPROVAL, BE RETURNED TO SELLER WITH TRANSPORTATION CHARGES PREPAID AND WHICH THE EXAMINATION OF SELLER SHALL DISCLOSE TO HAVE BEEN DEFECTIVE; EXCEPT THAT WHEN THE PRODUCT IS TO BE USED BY BUYER AS A COMPONENT PART OF EQUIPMENT MANUFACTURED BY BUYER, BUYER'S REMEDY FOR BREACH, AS LIMITED HEREIN, SHALL BE LIMITED TO ONE YEAR FROM DATE OF SHIPMENT FROM SELLER. FOR GAS-FIRED PRODUCTS INSTALLED IN HIGH HUMIDITY APPLICATIONS AND UTILIZING STAINLESS STEEL HEAT EXCHANGERS, BUYER'S REMEDY FOR BREACH, AS LIMITED HEREIN, SHALL BE LIMITED TO TEN YEARS FROM DATE OF SHIPMENT FROM SELLER.

These warranties are issued only to the original owner-user and cannot be transferred or assigned. No provision is made in these warranties for any labor allowance or field labor participation. Seller will not honor any expenses incurred in its behalf with regard to repairs to any of Seller's products. No credit shall be issued for any defective part returned without proper written authorization (including, but not limited to, model number, serial number, date of failure, etc.) and freight prepaid.

OPTIONAL SUPPLEMENTAL WARRANTY

Provided a supplemental warranty has been purchased, Seller extends the warranty herein for an additional four (4) years on certain compressors. Provided a supplemental warranty has been purchased, Seller extends the warranty herein for an additional four (4) years or nine (9) years on certain heat exchangers.

EXCLUSION OF CONSUMABLES & CONDITIONS BEYOND SELLER'S CONTROL

The above referenced warranty shall not be applicable to any of the following items: refrigerant gas, belts, filters, fuses and other items consumed or worn out by normal wear and tear or conditions beyond Seller's control, including (without limitation as to generality) polluted or contaminated or foreign matter contained in the air or water utilized for heat exchanger (condenser) cooling or if the failure of the part is caused by improper air or water supply, or improper or incorrect sizing of power supply.

<u>Component</u> Applicable Models	"APPLICABLE WARRANTY PERIOD"
<u>Heat Exchangers</u> Gas-Fired Units	TEN YEARS FROM DATE OF FIRST BENEFICIAL USE BY BUYER OR ANY OTHER USER, WITHIN TEN YEARS FROM DATE OF RESALE BY BUYER OR ANY OTHER USER, WITHIN TEN YEARS FROM DATE OF RESALE BY BUYER IN ANY UNCHANGED CONDITION, OR WITHIN ONE HUNDRED TWENTY-SIX MONTHS FROM DATE OF SHIPMENT FROM SELLER, WHICHEVER OCCURS FIRST
<u>Heat Exchangers</u> Low Intensity Infrared Units <u>Compressors</u> Condensing Units for Cassettes	FIVE YEARS FROM DATE OF FIRST BENEFICIAL USE BY BUYER OR ANY OTHER USER, WITHIN FIVE YEARS FROM DATE OF RESALE BY BUYER OR ANY OTHER USER, WITHIN FIVE YEARS FROM DATE OF RESALE BY BUYER IN ANY UNCHANGED CONDITION, OR WITHIN SIXTY-SIX MONTHS FROM DATE OF SHIPMENT FROM SELLER, WHICHEVER OCCURS FIRST
<u>Burners</u> Low Intensity Infrared Units <u>Other</u> Components excluding Heat Exchangers, Coils, Condensers, Burners, Sheet Metal	TWO YEARS FROM DATE OF FIRST BENEFICIAL USE BY BUYER OR ANY OTHER USER, WITHIN TWO YEARS FROM DATE OF RESALE BY BUYER IN ANY UNCHANGED CONDITION, OR WITHIN THIRTY MONTHS FROM DATE OF SHIPMENT FROM SELLER, WHICHEVER OCCURS FIRST
<u>Heat Exchangers/Coils</u> Indoor and Outdoor Duct Furnaces and System Units, Steam/Hot Water Units, Oil-Fired Units, Electric Units, Cassettes, Vertical Unit Ventilators, Ventilators, Geothermal Units <u>Compressors</u> Vertical Unit Ventilators, Ventilators, Geothermal Units <u>Burners</u> High Intensity Infrared Units <u>Sheet Metal Parts</u> All Products	ONE YEAR FROM DATE OF FIRST BENEFICIAL USE BY BUYER OR ANY OTHER USER, WITHIN ONE YEAR FROM DATE OF RESALE BY BUYER IN ANY UNCHANGED CONDITION, OR WITHIN EIGHTEEN MONTHS FROM DATE OF SHIPMENT FROM SELLER, WHICHEVER OCCURS FIRST



Modine Manufacturing Company
1500 DeKoven Avenue
Racine, WI 53403
Phone: 1.800.828.4328 (HEAT)
www.modinehvac.com

Comme la Modine Manufacturing Company a un programme d'amélioration permanente de ses produits, elle se réserve le droit de modifier la conception et les caractéristiques techniques sans préavis.

Composant	Modèles applicables
<p>Échangeurs de chaleur Appareils de chauffage au gaz</p> <p>DIX ANS À PARTIR DE LA DATE DE PREMIER USAGE BÉNÉFICIAIRE PAR L'ACHETEUR OU TOUT AUTRE UTILISATEUR, DIX ANS À PARTIR DE LA DATE DE REVENTE PAR L'ACHETEUR OU TOUT AUTRE UTILISATEUR, DIX ANS À PARTIR DE LA DATE D'EXPÉDITION DE L'USINE DU VENDEUR, SELON LA PREMIÈRE DE CES ÉCHÉANCES.</p>	<p>Échangeurs de chaleur Modèles infrarouges de faible intensité</p> <p>Condenseurs pour cassettes</p> <p>Compresseurs</p> <p>Modèles infrarouges de haute intensité</p> <p>Brûleurs</p> <p>Autres</p> <p>Composants sauf les échangeurs,thermiques, serpents, condenseurs, brûleurs, tôle</p> <p>Échangeurs thermiques/serpents</p> <p>Systèmes et chaudières canalisés d'intérieur et d'extérieur, modèles à vapeur/eau chaude, modèles au mazout, appareils électriques, cassettes, ventilateurs verticaux, appareils géothermiques</p> <p>Compresseurs</p> <p>Ventilateurs verticaux, appareil géothermiques</p> <p>Brûleurs</p> <p>Modèles infrarouges de haute intensité</p> <p>Tous les produits</p>
<p>Échangeurs de chaleur Modèles infrarouges de faible intensité</p> <p>Compresseurs</p> <p>Condenseurs pour cassettes</p> <p>Compresseurs</p> <p>Modèles infrarouges de faible intensité</p> <p>Brûleurs</p> <p>Autres</p> <p>Composants sauf les échangeurs,thermiques, serpents, condenseurs, brûleurs, tôle</p> <p>Échangeurs thermiques/serpents</p> <p>Systèmes et chaudières canalisés d'intérieur et d'extérieur, modèles à vapeur/eau chaude, modèles au mazout, appareils électriques, cassettes, ventilateurs verticaux, appareils géothermiques</p> <p>Compresseurs</p> <p>Ventilateurs verticaux, appareil géothermiques</p> <p>Brûleurs</p> <p>Modèles infrarouges de haute intensité</p> <p>Tous les produits</p>	<p>Échangeurs de chaleur Modèles infrarouges de faible intensité</p> <p>Compresseurs</p> <p>Condenseurs pour cassettes</p> <p>Compresseurs</p> <p>Modèles infrarouges de faible intensité</p> <p>Brûleurs</p> <p>Autres</p> <p>Composants sauf les échangeurs,thermiques, serpents, condenseurs, brûleurs, tôle</p> <p>Échangeurs thermiques/serpents</p> <p>Systèmes et chaudières canalisés d'intérieur et d'extérieur, modèles à vapeur/eau chaude, modèles au mazout, appareils électriques, cassettes, ventilateurs verticaux, appareils géothermiques</p> <p>Compresseurs</p> <p>Ventilateurs verticaux, appareil géothermiques</p> <p>Brûleurs</p> <p>Modèles infrarouges de haute intensité</p> <p>Tous les produits</p>
<p>Échangeurs de chaleur Modèles infrarouges de faible intensité</p> <p>Compresseurs</p> <p>Condenseurs pour cassettes</p> <p>Compresseurs</p> <p>Modèles infrarouges de faible intensité</p> <p>Brûleurs</p> <p>Autres</p> <p>Composants sauf les échangeurs,thermiques, serpents, condenseurs, brûleurs, tôle</p> <p>Échangeurs thermiques/serpents</p> <p>Systèmes et chaudières canalisés d'intérieur et d'extérieur, modèles à vapeur/eau chaude, modèles au mazout, appareils électriques, cassettes, ventilateurs verticaux, appareils géothermiques</p> <p>Compresseurs</p> <p>Ventilateurs verticaux, appareil géothermiques</p> <p>Brûleurs</p> <p>Modèles infrarouges de haute intensité</p> <p>Tous les produits</p>	<p>Échangeurs de chaleur Modèles infrarouges de faible intensité</p> <p>Compresseurs</p> <p>Condenseurs pour cassettes</p> <p>Compresseurs</p> <p>Modèles infrarouges de faible intensité</p> <p>Brûleurs</p> <p>Autres</p> <p>Composants sauf les échangeurs,thermiques, serpents, condenseurs, brûleurs, tôle</p> <p>Échangeurs thermiques/serpents</p> <p>Systèmes et chaudières canalisés d'intérieur et d'extérieur, modèles à vapeur/eau chaude, modèles au mazout, appareils électriques, cassettes, ventilateurs verticaux, appareils géothermiques</p> <p>Compresseurs</p> <p>Ventilateurs verticaux, appareil géothermiques</p> <p>Brûleurs</p> <p>Modèles infrarouges de haute intensité</p> <p>Tous les produits</p>
<p>Échangeurs de chaleur Modèles infrarouges de faible intensité</p> <p>Compresseurs</p> <p>Condenseurs pour cassettes</p> <p>Compresseurs</p> <p>Modèles infrarouges de faible intensité</p> <p>Brûleurs</p> <p>Autres</p> <p>Composants sauf les échangeurs,thermiques, serpents, condenseurs, brûleurs, tôle</p> <p>Échangeurs thermiques/serpents</p> <p>Systèmes et chaudières canalisés d'intérieur et d'extérieur, modèles à vapeur/eau chaude, modèles au mazout, appareils électriques, cassettes, ventilateurs verticaux, appareils géothermiques</p> <p>Compresseurs</p> <p>Ventilateurs verticaux, appareil géothermiques</p> <p>Brûleurs</p> <p>Modèles infrarouges de haute intensité</p> <p>Tous les produits</p>	<p>Échangeurs de chaleur Modèles infrarouges de faible intensité</p> <p>Compresseurs</p> <p>Condenseurs pour cassettes</p> <p>Compresseurs</p> <p>Modèles infrarouges de faible intensité</p> <p>Brûleurs</p> <p>Autres</p> <p>Composants sauf les échangeurs,thermiques, serpents, condenseurs, brûleurs, tôle</p> <p>Échangeurs thermiques/serpents</p> <p>Systèmes et chaudières canalisés d'intérieur et d'extérieur, modèles à vapeur/eau chaude, modèles au mazout, appareils électriques, cassettes, ventilateurs verticaux, appareils géothermiques</p> <p>Compresseurs</p> <p>Ventilateurs verticaux, appareil géothermiques</p> <p>Brûleurs</p> <p>Modèles infrarouges de haute intensité</p> <p>Tous les produits</p>
<p>Échangeurs de chaleur Modèles infrarouges de faible intensité</p> <p>Compresseurs</p> <p>Condenseurs pour cassettes</p> <p>Compresseurs</p> <p>Modèles infrarouges de faible intensité</p> <p>Brûleurs</p> <p>Autres</p> <p>Composants sauf les échangeurs,thermiques, serpents, condenseurs, brûleurs, tôle</p> <p>Échangeurs thermiques/serpents</p> <p>Systèmes et chaudières canalisés d'intérieur et d'extérieur, modèles à vapeur/eau chaude, modèles au mazout, appareils électriques, cassettes, ventilateurs verticaux, appareils géothermiques</p> <p>Compresseurs</p> <p>Ventilateurs verticaux, appareil géothermiques</p> <p>Brûleurs</p> <p>Modèles infrarouges de haute intensité</p> <p>Tous les produits</p>	<p>Échangeurs de chaleur Modèles infrarouges de faible intensité</p> <p>Compresseurs</p> <p>Condenseurs pour cassettes</p> <p>Compresseurs</p> <p>Modèles infrarouges de faible intensité</p> <p>Brûleurs</p> <p>Autres</p> <p>Composants sauf les échangeurs,thermiques, serpents, condenseurs, brûleurs, tôle</p> <p>Échangeurs thermiques/serpents</p> <p>Systèmes et chaudières canalisés d'intérieur et d'extérieur, modèles à vapeur/eau chaude, modèles au mazout, appareils électriques, cassettes, ventilateurs verticaux, appareils géothermiques</p> <p>Compresseurs</p> <p>Ventilateurs verticaux, appareil géothermiques</p> <p>Brûleurs</p> <p>Modèles infrarouges de haute intensité</p> <p>Tous les produits</p>
<p>Échangeurs de chaleur Modèles infrarouges de faible intensité</p> <p>Compresseurs</p> <p>Condenseurs pour cassettes</p> <p>Compresseurs</p> <p>Modèles infrarouges de faible intensité</p> <p>Brûleurs</p> <p>Autres</p> <p>Composants sauf les échangeurs,thermiques, serpents, condenseurs, brûleurs, tôle</p> <p>Échangeurs thermiques/serpents</p> <p>Systèmes et chaudières canalisés d'intérieur et d'extérieur, modèles à vapeur/eau chaude, modèles au mazout, appareils électriques, cassettes, ventilateurs verticaux, appareils géothermiques</p> <p>Compresseurs</p> <p>Ventilateurs verticaux, appareil géothermiques</p> <p>Brûleurs</p> <p>Modèles infrarouges de haute intensité</p> <p>Tous les produits</p>	<p>Échangeurs de chaleur Modèles infrarouges de faible intensité</p> <p>Compresseurs</p> <p>Condenseurs pour cassettes</p> <p>Compresseurs</p> <p>Modèles infrarouges de faible intensité</p> <p>Brûleurs</p> <p>Autres</p> <p>Composants sauf les échangeurs,thermiques, serpents, condenseurs, brûleurs, tôle</p> <p>Échangeurs thermiques/serpents</p> <p>Systèmes et chaudières canalisés d'intérieur et d'extérieur, modèles à vapeur/eau chaude, modèles au mazout, appareils électriques, cassettes, ventilateurs verticaux, appareils géothermiques</p> <p>Compresseurs</p> <p>Ventilateurs verticaux, appareil géothermiques</p> <p>Brûleurs</p> <p>Modèles infrarouges de haute intensité</p> <p>Tous les produits</p>
<p>Échangeurs de chaleur Modèles infrarouges de faible intensité</p> <p>Compresseurs</p> <p>Condenseurs pour cassettes</p> <p>Compresseurs</p> <p>Modèles infrarouges de faible intensité</p> <p>Brûleurs</p> <p>Autres</p> <p>Composants sauf les échangeurs,thermiques, serpents, condenseurs, brûleurs, tôle</p> <p>Échangeurs thermiques/serpents</p> <p>Systèmes et chaudières canalisés d'intérieur et d'extérieur, modèles à vapeur/eau chaude, modèles au mazout, appareils électriques, cassettes, ventilateurs verticaux, appareils géothermiques</p> <p>Compresseurs</p> <p>Ventilateurs verticaux, appareil géothermiques</p> <p>Brûleurs</p> <p>Modèles infrarouges de haute intensité</p> <p>Tous les produits</p>	<p>Échangeurs de chaleur Modèles infrarouges de faible intensité</p> <p>Compresseurs</p> <p>Condenseurs pour cassettes</p> <p>Compresseurs</p> <p>Modèles infrarouges de faible intensité</p> <p>Brûleurs</p> <p>Autres</p> <p>Composants sauf les échangeurs,thermiques, serpents, condenseurs, brûleurs, tôle</p> <p>Échangeurs thermiques/serpents</p> <p>Systèmes et chaudières canalisés d'intérieur et d'extérieur, modèles à vapeur/eau chaude, modèles au mazout, appareils électriques, cassettes, ventilateurs verticaux, appareils géothermiques</p> <p>Compresseurs</p> <p>Ventilateurs verticaux, appareil géothermiques</p> <p>Brûleurs</p> <p>Modèles infrarouges de haute intensité</p> <p>Tous les produits</p>

« PÉRIODE DE GARANTIE APPLICABLE »

Le vendeur garantit ses produits contre tout défaut de matériel ou de fabrication, SAUF si la responsabilité du matériel normalement utilisé. Cette garantie couvre le remplacement de matériaux non fournis par le Vendeur, de même que tous les frais pour lesdits main-d'œuvre et matériels, réglages, réparations ou toute autre travail effectué. Cette garantie ne s'applique à aucun équipement qui a été réparé ou altéré en dehors de l'usine du Vendeur de telle manière, une négligence ou des conditions d'utilisation non conformes à celles pour abuser, à l'exception de la description du produit confirmée.

PAR L'ACHETEUR ET LE VENDEUR À LA DATE DE L'ACCORD FINAL.

Cette garantie est nulle et non avenue si l'alimentation du produit dépasse l'alimentation nominale indiquée sur la plaque de série du produit de plus de 5 % pour les modèles au gaz et au mazout, ou si, selon le VENDEUR, le produit a été installé dans une atmosphère corrosive ou a été soumis à des fluides ou à des corrosifs, soumis à des conditions telles que utilisation abusive, négligence, accident, choc thermique excessif, humidité excessive, dégâts physiques, impact, abrasion, altérations non autorisées ou utilisation contraire aux instructions imprimées du VENDEUR, ou si le numéro de série a été altéré, rendu invisible ou retiré.

L'ACHETEUR CONVIENT QU'EN AUCUN CAS LE VENDEUR NE SERA RESPONSABLE DES CÔUTS DE TRAITEMENT, DES PERTES DE REVENUS, DES PERTES D'ACHALANAGE, OU AUTRES DOMMAGES INDIRECTS OU CONSÉQUENTS, QUI SONT LE RÉSULTAT DU NON-RESPECT DES CLAUSES DE GARANTIE, D'UNE NON-CONFORMITÉ AUX SPÉCIFICATIONS DE COMMANDE, DE RETARDS DE LIVRAISON OU DE TOUTE AUTRE PERTE SUBIE PAR L'ACHETEUR.

Ces garanties sont données uniquement au propriétaire-utilisateur initial et ne sont pas cessibles ou assignables. Aucune disposition n'est prévue dans ces garanties pour la main-d'œuvre ou la participation de main-d'œuvre sur site. Le Vendeur ne rembourse pas les frais encourus en son nom pour des réparations effectuées sur l'un de ses produits, quel qu'il soit. Aucun crédit ne sera fait pour toute pièce détachée retournée sans autorisation écrite (y compris, mais sans s'y limiter, numéro de modèle, numéro de série, date de la panne, etc.) et sans port prépayé.

GARANTIE SUPPLÉMENTAIRE EN OPTION

Sous réserve de l'achat d'une garantie supplémentaire, le vendeur prolonge la garantie fournie en ce qui concerne (4) années supplémentaires pour certains compresseurs. Sous réserve de l'achat d'une garantie supplémentaire, le vendeur étend la garantie en ce qui concerne (4) ou neuf (9) années supplémentaires sur certains échangeurs thermiques.

EXCLUSION DE CONSOMMABLES ET CONDITIONS AU-DELÀ DU CONTRÔLE DU VENDEUR

Cette garantie ne s'applique pas aux articles suivants : gaz frigorigènes, courroies, filtres, fusibles et autres articles consommés ou normalement usés ou conditions au-delà du contrôle du Vendeur, y compris (sans limitation quant à sa généralité) corps étrangers, pollution ou contamination dans l'air ou l'eau utilisés pour le refroidissement de l'échangeur thermique (condenseur) ou si la panne de la pièce est causée par une alimentation en air ou en eau inadéquate ou un tuyau d'alimentation de taille inadéquate ou incorrect.

LE RECOURS DE L'ACHETEUR EN CAS DE DÉFAILLANCE SOUS GARANTIE, À L'ÉCLUSEION DE TOUTS LES REMÈDES PRÉVUS PAR LA LOI, EST LIMITÉ À LA RÉPARATION OU AU REMPLACEMENT DANS UN ÉTABLISSEMENT DU VENDEUR DE TOUT COMPOSANT QUI, AU COURS DE LA PÉRIODE DE GARANTIE APPLICABLE DÉFINIE EN CECI ET AVEC AUTORISATION ÉCRITE PRÉALABLE, SERA RETOURNÉ EN PORT PAYÉ AU VENDEUR, DANS LA MESURE OU L'INSPECTION FAITE PAR LE VENDEUR PERMET DE CONCLURE QUE LEDIT PRODUIT EST DÉFECTUEUX, SAUF SI LE PRODUIT EST DESTINÉ À ÊTRE INCORPORÉ PAR L'ACHETEUR DANS UN COMPOSANT DE L'ÉQUIPEMENT FABRIQUÉ PAR LUI, AUCUN CAS, LA DURÉE DE L'OBLIGATION DU VENDEUR, AVEC LES LIMITATIONS ÉNONCÉES CI-DESSUS, SERA LIMITÉE À UN AN À COMPTER DE LA DATE D'EXPÉDITION PAR LE VENDEUR, POUR LES PRODUITS AU GAZ INSTALLÉS DANS UNE FORTE HUMIDITÉ, LES APPLICATIONS D'ACHÈTEUR EN CAS DE VIOLATION DE GARANTIE, TEL QUE LIMITÉ EN CECI, SERA LIMITÉ À DIX ANS À PARTIR DE LA DATE D'EXPÉDITION DE L'USINE DU VENDEUR.

GARANTIE COMMERCIALE

PAGE VIERGE

NUMÉRO DE SÉRIE ET DE MODÈLE ET PIÈCES DE RECHANGE

Figure 22.1 - Composition du numéro de modèle (ouvrir le panneau d'accès)

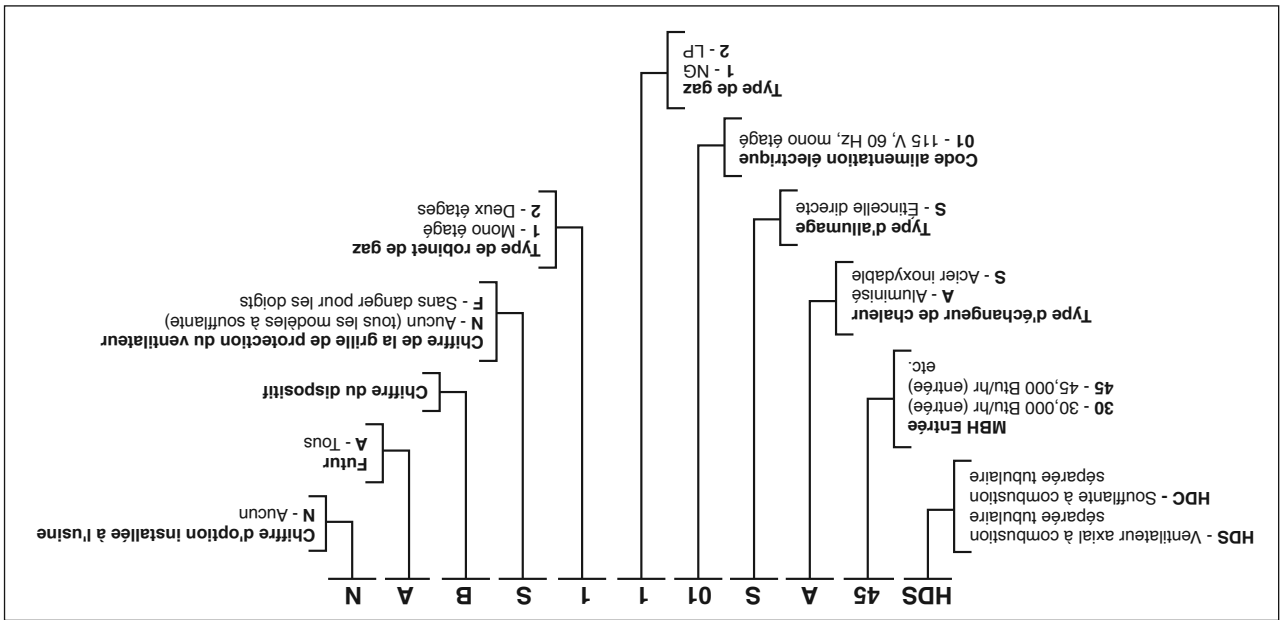
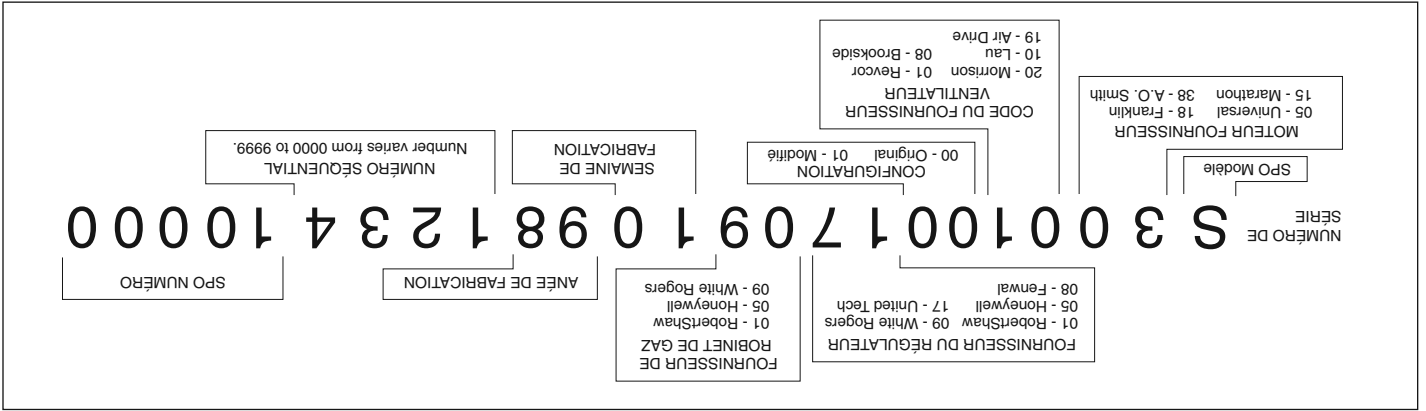


Figure 22.2 - Composition du numéro de série (retirez le panneau d'accès)



Pièces de rechange
 Pour commander des pièces, adressez-vous à votre représentant local. Vous aurez besoin du numéro de modèle complet et du numéro de série. Si vous avez besoin d'aide pour localiser votre représentant, appelez au numéro qui figure sur la dernière page du manuel.

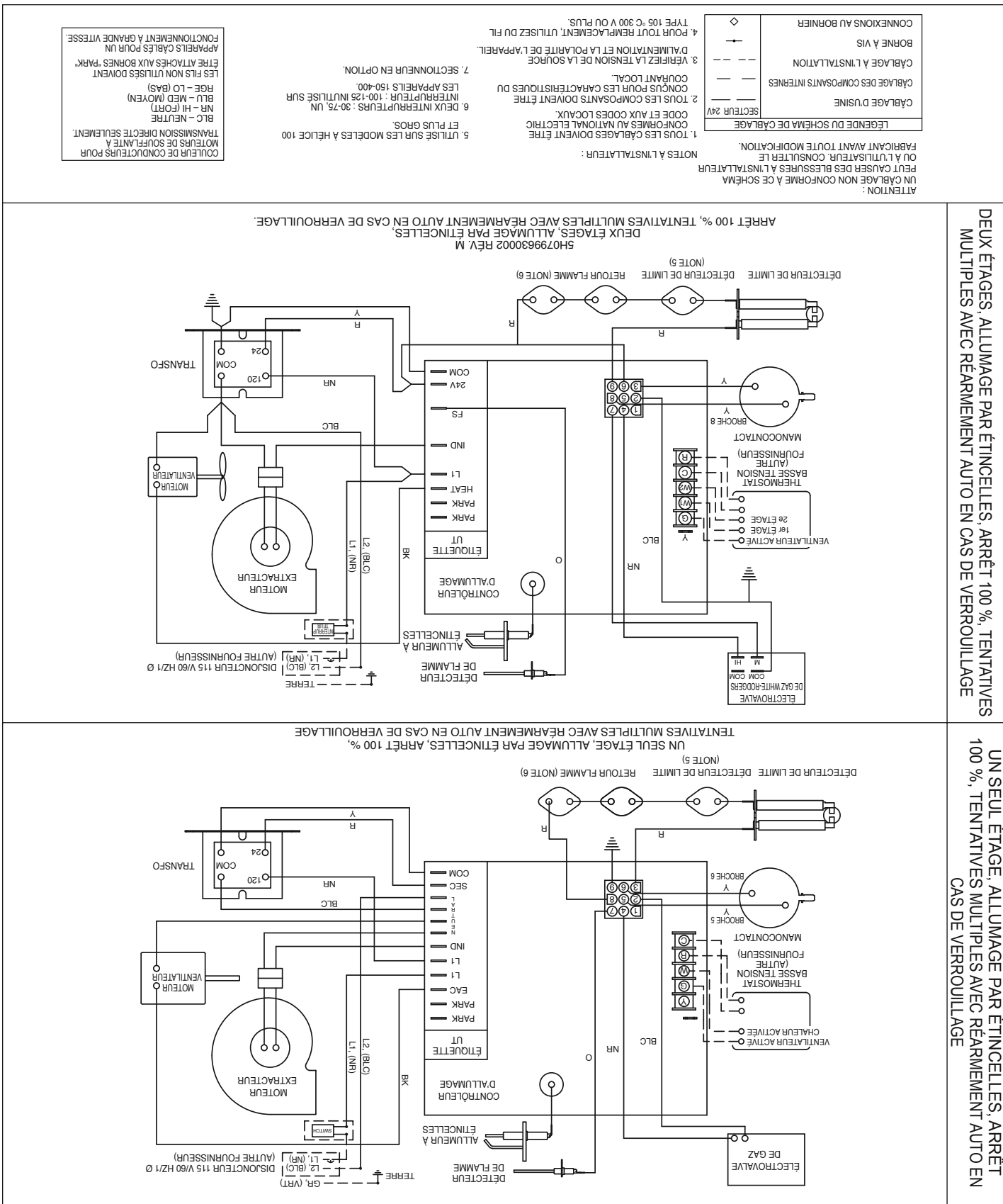
CÂBLAGE DE L'APPAREIL

Choix du schéma de câblage

Le câblage interne ou posé en usine et le câblage dépend du modèle de contrôleur installé et il est important de choisir les schémas qui correspondent aux types de régulateur de gaz et d'allumeur de l'appareil.

Le schéma suivant est celui d'un appareil équipé d'un régulateur à un étage, avec allumage direct à étincelles.

Figure 21.1 – Schéma de câblage de l'appareil (un ou deux étages, allumage direct à étincelles)



⚠️ AVERTISSEMENT

Pour l'entretien et les réparations de cet appareil, n'utilisez que des pièces d'origine certifiées. Pour la liste complète des pièces de rechange, adressez-vous au fabricant. Le numéro de modèle complet, le numéro de série et l'adresse du fabricant figurent sur la plaque signalétique fixée à l'appareil. Toute substitution de pièce ou de commande non approuvée par le fabricant sera aux risques du propriétaire.

⚠️ ATTENTION

1. L'entretien et les réparations de l'appareil doivent être confiés à un centre de SAV qualifié.
2. Ne tentez pas de réutiliser un contrôleur mécanique ou électronique qui a été mouillé. Remplacez tout contrôleur défectueux.

⚠️ IMPORTANT

Pour essayer la plupart des Solutions possibles suggérées dans le tableau de dépannage 20.1, reportez-vous aux sections correspondantes du manuel.

Maintenance générale

L'appareil et le système d'évacuation des gaz doivent être vérifiés une fois par an par un technicien d'entretien qualifié. **Toutes les opérations d'installation et d'entretien doivent être confiées à une entreprise qualifiée.**

Avant toute intervention D'ENTRETIEN, ASSUREZ-VOUS DE FERMER LE ROBINET D'ARRÊT MANUEL, SITUÉ EN AMONT DU RÉGULATEUR DE GAZ COMBINÉ, ET COUPEZ L'ALIMENTATION ÉLECTRIQUE DE L'APPAREIL.

Tableau 20.1 - Dépannage

PROBLÈME	CAUSE POSSIBLE	SOLUTION POSSIBLE
L'appareil ne fait rien.	1. Pas d'alimentation électrique 2. Pas de courant 24 V au thermostat 3. Thermostat défectueux.	1. Mettez sous tension. 2 a. Vérifiez le transformateur de commande b. Si le transformateur ne fonctionne pas – vérifiez le calibre et la longueur des fils du thermostat. 3 a. Vérifiez les connexions des bornes R et W seulement b. Vérifiez/Remplacez le thermostat. 4 Vérifiez le code de clignotement DEL 5. Remplacez le fusible. 6. Remplacez l'ensemble de commande
Del éteinte ou clignotante	1. Fusible grillé sur la carte contrôleur 2. Causes multiples	1. Remplacez le fusible 2. Code de clignotement DEL du tableau de commande varie avec le type de commande. Un décalage est installé sur l'appareil avec la description des codes applicables pour l'appareil de chauffage. Pour plus de détails, consultez la fiche technique de la carte contrôleur, qui est fournie avec cet appareil.
L'appareil démarre mais le gaz ne s'allume pas.	1. Arrivée de gaz fermée 3. Pression de la conduite principale ou du collecteur de gaz 4. Ouvrez le robinet d'arrêt de gaz.	1. Ouvrez le robinet de gaz manuel 2. Purgez le tuyau de gaz. 3. Réglez les pressions de gaz selon les instructions du manuel. 4. Vérifiez le robinet d'arrêt manuel.
Le cycle d'allumage se déroule normalement, mais les brûleurs s'éteignent en moins de 10 secondes. Le ventilateur de circulation d'air ne fonctionne pas	1. Branchement du secteur électrique inversé 2. L'appareil n'est pas à la terre. 3. Flamme non détectée	1. Fil noir = PHASE, fil blanc = NEUTRE, fil vert = TERRE 2. Rectifiez la mise à la terre et mesurez sa résistance. 3. Vérifiez la sonde et les connexions du détecteur.
d'air ne fonctionne pas	1. Connexions mal serrées 2. Tableau de commande défectueux 3. Moteur du ventilateur défectueux	1. Vérifiez toutes les connexions. 2. Vérifiez la feuille technique du tableau de commande et le fonctionnement. 3. Vérifiez le moteur du ventilateur.

- Entretien annuel des composants de transport de l'air.
a. Vérifiez que l'hélice du ventilateur est bien fixée sur l'arbre du moteur et que ses pales ne sont pas endommagées.
- L'appareil doit être nettoyé de toute accumulation de poussière, saleté, graisse et matières étrangères, avec une attention particulière portée aux éléments suivants :
a. Entrées d'air de combustion.
b. Brûleurs et leurs orifices calibrés. Fermez le gaz en amont du régulateur combiné et coupez l'alimentation électrique de l'appareil. Retirez le panneau d'accès, ouvrez le raccord union de la conduite de gaz et déconnectez les fils de l'allumeur et du détecteur. Enlevez les vis qui retiennent le plateau des brûleurs sur la plaque de tête et sortez le plateau des brûleurs et l'ensemble collecteur. Nettoyez soigneusement les brûleurs avec une brosse métallique ou un moyen similaire.
Remplacez tout brûleur ou orifice calibre endommagé ou présentant des signes de détérioration. Réinstallez l'ensemble de brûleurs sur la plaque de tête en vous assurant de bien serrer les vis, les raccords et les connexions électriques.
ATTENTION : Manipulez l'allumeur et le détecteur de flamme avec précaution.
- Inspectez le détecteur de flamme et l'allumeur en recherchant les détériorations et les fissures.
- Vérifiez que les brûleurs se touchent aux points de transmission. Ces points assurent la transmission de la flamme d'un brûleur à l'autre.
- a. Nettoyez l'extérieur des tubes de l'échangeur.
b. Pales du ventilateur.
- Assurez-vous qu'il n'y a pas de connexions desserrées.
- Commandes – Les robinets et les tuyauteries de gaz doivent être vérifiées chaque année afin de s'assurer qu'ils sont propres et étanches. Les commandes de gaz doivent être vérifiées afin de s'assurer que l'appareil fonctionne bien. Lisez les instructions d'entretien séparées, fournies avec l'appareil.
- Moteur d'extraction – Les roulements du moteur d'extraction sont lubrifiés à vie et ne nécessitent aucun graissage supplémentaire. Dans les environnements sales, il faudra peut-être nettoyer l'intérieur des moteurs et les carters de soufflerie en dirigeant un jet d'air comprimé dans les passages de refroidissement du moteur. Les filtres à toile métallique d'entrée et de sortie doivent être périodiquement nettoyés.

DIMENSIONS ET PERFORMANCES GÉNÉRALES – HDS/HDC

Figure 19.1 - Plans cotés

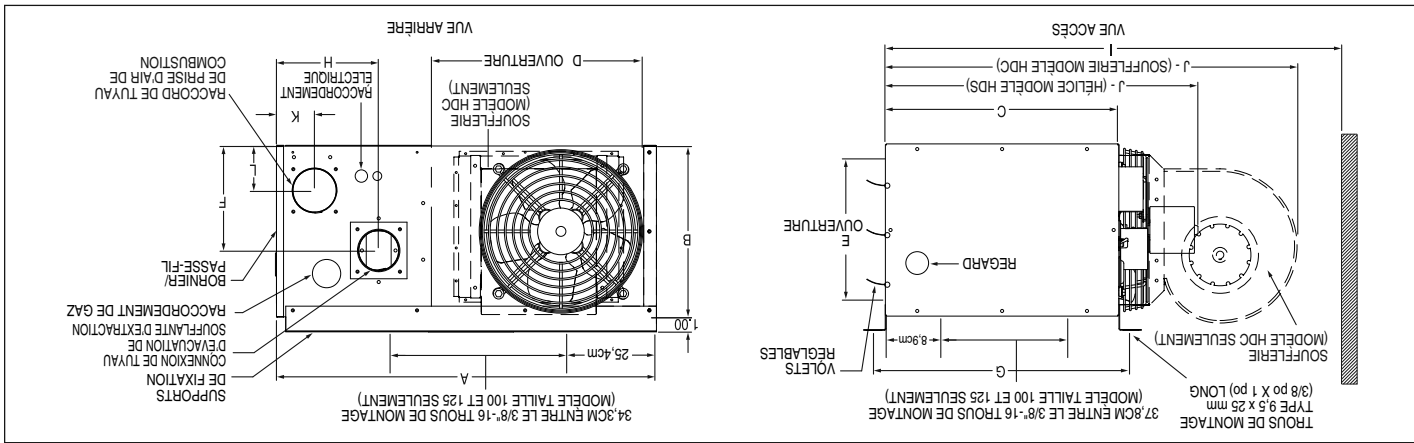


Tableau 19.1 - Dimensions (pouces)

Dimension	Taille de modèle à hélice - HDS						Taille de modèle à soufflante - HDC					
	A	B	C	D	E	F	A	B	C	D	E	F
	26,8	26,8	26,8	26,8	26,8	26,8	26,8	26,8	26,8	26,8	26,8	26,8
	12,2	12,2	16,5	16,5	16,5	16,5	12,2	12,2	16,5	16,5	16,5	16,5
	14,9	14,9	14,9	14,9	14,9	14,9	14,9	14,9	14,9	14,9	14,9	14,9
	10,1	10,1	10,1	10,1	10,1	10,1	10,1	10,1	10,1	10,1	10,1	10,1
	7,25	7,25	7,25	7,25	7,25	7,25	7,25	7,25	7,25	7,25	7,25	7,25
	18,5	18,5	18,5	18,5	18,5	18,5	18,5	18,5	18,5	18,5	18,5	18,5
	7,6	7,6	7,6	7,6	7,6	7,6	7,6	7,6	7,6	7,6	7,6	7,6
	34,5	34,5	34,5	34,5	34,5	34,5	34,5	34,5	34,5	34,5	34,5	34,5
	22	22	22	22	22	22	22	22	22	22	22	22
	2,74	2,74	2,74	2,74	2,74	2,74	2,74	2,74	2,74	2,74	2,74	2,74
	3,19	3,19	3,19	3,19	3,19	3,19	3,19	3,19	3,19	3,19	3,19	3,19
	3	3	3	3	3	3	3	3	3	3	3	3
	1/2	1/2	1/2	1/2	1/2	1/2	1/2	1/2	1/2	1/2	1/2	1/2
	10	10	10	10	10	10	10	10	10	10	10	10
	55	60	80	85	125	125	92	97	151	151	151	151

Figure 19.2 - Emplacements des fentes de cornière de fixation

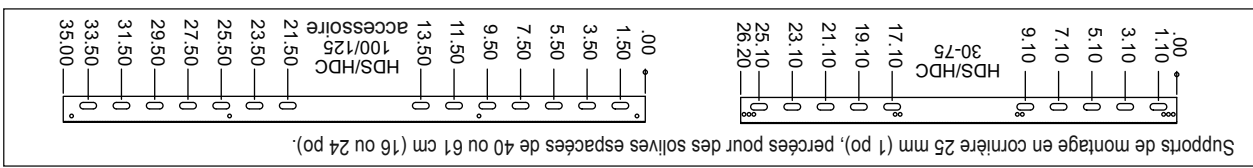


Tableau 18.2 - Performance du modèle HDS à hélice

Modèle HD Tailles	Modèle HD Tailles					
	125	75	60	45	30	125
Puissance calorifique Btu/h	125,000	75,000	60,000	45,000	30,000	125,000
Chaleur produite Btu/h	100,000	80,000	60,000	48,000	36,000	100,000
Débit d'air - entrée (CFM) @ 70°F	1980	1490	1160	990	720	1980
Vitesse de l'air - sortie	747	769	653	725	523	747
Élévation temp. air (°F)	47	48	45	46	44	47
Hauteur de montage (pi max)	16	12	14	10	10	16
Portée de chauffage (pi) (à haut. mont. max.)	56	42	38	27	25	56
Type de moteur	PSC	SP	PSC	SP	SP	PSC
Moteur HP	1/8	1/12	1/12	1/15	1/15	1/8
Moteur HP	1625	1050	1625	1550	1550	1625

Tableau 18.3 - Performance du modèle HDC à soufflante

Modèle HDB Tailles	Modèle HDB Tailles					
	125	100	75	60	45	30
Puissance calorifique Btu/h	125,000	80,000	60,000	48,000	36,000	125,000
Chaleur produite Btu/h	100,000	80,000	60,000	48,000	36,000	100,000
Air entrant (CFM)	1980	1490	1160	990	720	1980
Vitesse de l'air - sortie	747	769	653	725	523	747
Élévation temp. air (°F)	47	48	45	46	44	47
Hauteur de montage (pi max)	16	12	14	10	10	16
Portée de chauffage (pi) (@ Max Mtg Ht)	56	42	38	27	25	56
Type de moteur	P.S.C.	SP	P.S.C.	SP	SP	P.S.C.
Moteur HP	1/2	1/2	1/3	1/4	1/4	1/2
Moteur HP	1625	1050	1625	1550	1550	1625

① Les valeurs nominales indiquées correspondent à une altitude de 609 m maximum. Au-delà, elles doivent être réduites de 4 % tous les 300 m au-dessus du niveau de la mer. (Au Canada, consultez la plaque signalétique.) La réduction des valeurs nominales exige l'utilisation d'un ensemble pour haute altitude.
 ② Données relevées à une hausse de température de l'air de 12 °C. À une température ambiante de 18 °C, avec l'appareil à entrée nominale maximum. Hauteur de montage mesurée du bas de l'appareil et sans hottes de déflection.

SEQUENCE FONCTIONNELLE DE SYSTEME DE COMMANDE

SEQUENCE FONCTIONNELLE DE SYSTEME DE COMMANDE

Lorsque le thermostat détecte une demande de chaleur, le moteur de la soufflante d'extraction démarre. L'appareil effectue un cycle de purge avant que l'allumeur direct par étincelle soit mis sous tension. En même temps, la soupape principale du régulateur combine s'ouvre pour laisser le gaz passer vers les brûleurs. Si le moteur du ventilateur ne tourne pas encore, il démarra peu après. Si une flamme n'est pas détectée (pour une raison quelconque), la soupape principale se referme et l'appareil effectue un bref cycle de purge avant une nouvelle tentative d'allumage. Si une flamme n'est pas détectée après quatre tentatives, il s'écoule au moins une heure avant une nouvelle tentative d'allumage.

Figure 18.1 - Principaux composants des circuits de gaz, électriques, de sécurité et autres

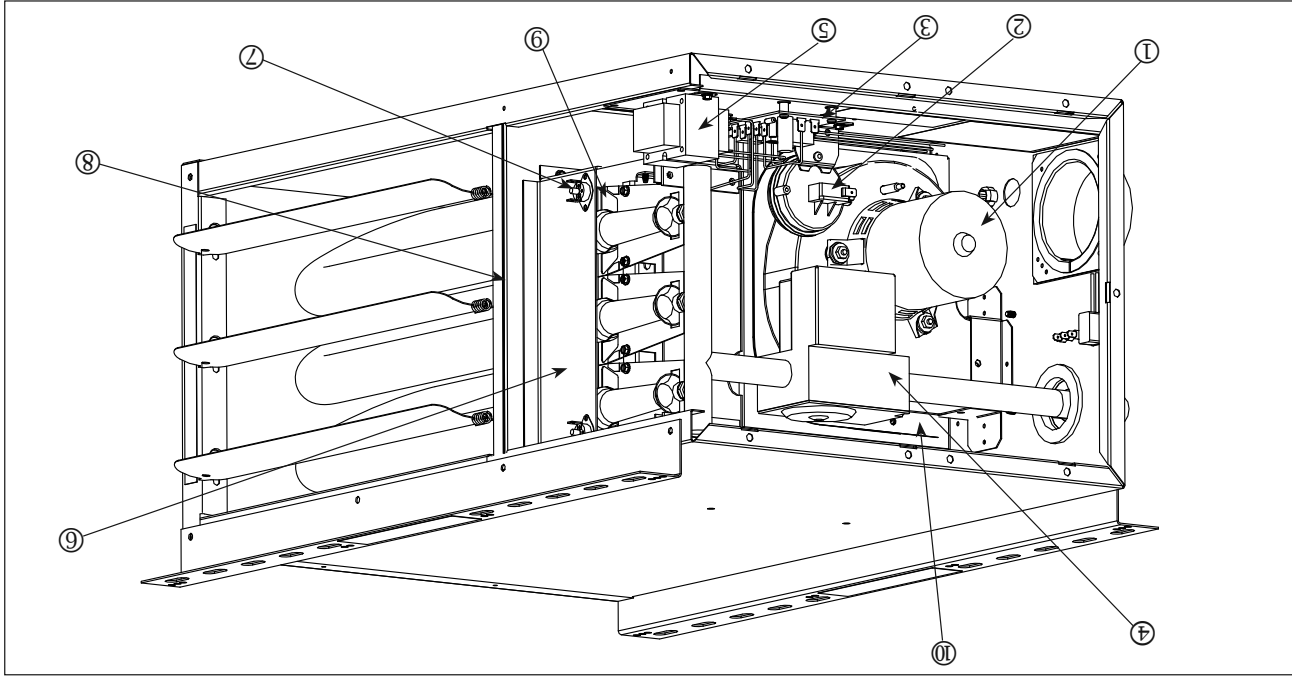


Figure 18.2 - Appareil vu de l'arrière

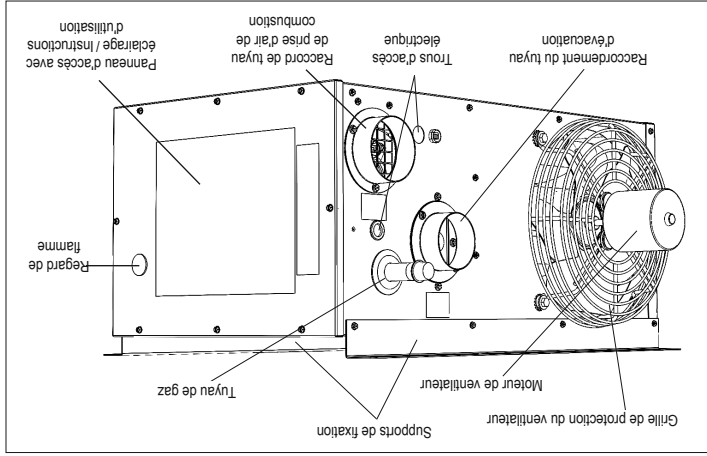


Tableau 18.1 - Options de commande

Description du contrôleur		Code de contrôleur	Tension de service	Tension thermostat	Type de gaz	Taille de modèle
Allumeur direct à étincelles, un seul étage, arrêt 100 % allumage continu		11	115 V	24 V	Naturel	30-125
- Le gaz est enflammé par un allumeur direct à étincelles lorsqu'il y a demande de chaleur.		21	115 V	24 V	Propane	30-125
Allumeur direct à étincelles, deux étages, arrêt 100 % allumage continu		12	115 V	24 V	Naturel	75-125
- Utilise un régulateur de gaz à deux étages avec contrôleur d'allumage intégré.		22	115 V	24 V	Propane	75-125
- Le taux d'allumage est de 100 % et de 50 % du plein régime nominal. Le gaz est enflammé par un allumeur direct à étincelles lorsqu'il y a demande de chaleur.						

INSTALLATION – FONCTIONNEMENT

FONCTIONNEMENT

Avant la mise en service

1. Pour éviter une détérioration prématurée de l'échangeur de chaleur, observez les tubes de l'échangeur. S'ils deviennent rouges pendant que la soufflante et l'appareil de chauffage fonctionnent, assurez-vous que la soufflante a été réglée au régime correct pour l'application. Pour le réglage de la soufflante, reportez-vous à la page 16.
2. Les procédures de démarrage et de réglage doivent être confiées à un centre de SAV qualifié.

IMPORTANT

Bien que l'appareil ait été assemblé et testé à chaud en usine, il est recommandé d'effectuer les vérifications préopératoires suivantes pour vous assurer que tout fonctionne normalement après l'installation.

1. Mettez l'appareil sous tension au niveau du sectionneur. Vérifiez que les disjoncteurs ou les fusibles sont en place et d'un calibre approprié. Fermez tous les robinets d'arrêt de gaz.
2. Ouvrez le panneau d'accès aux commandes sur le côté de l'appareil.
3. Vérifiez que la tension du secteur correspond à la tension nominale de l'appareil inscrite sur la plaque signalétique. Assurez-vous que tous les câblages sont bien fixés et convenablement protégés. Suivez chaque circuit pour vous assurer qu'il est conforme au schéma de câblage. Si l'appareil est installé à plus de 2000 pieds et que l'ensemble pour haute altitude inclut un interrupteur de contrôle d'air de combustion, remplacez l'interrupteur de l'appareil par celui fourni dans l'ensemble. Assurez-vous que le tube et les branchements électriques sont solidement fixés.
4. Vérifiez que le système d'évacuation des gaz est correctement installé et n'est pas obstrué. Avant de commencer, suivez les étapes suivantes afin de vous assurer que le système d'évacuation est correctement dimensionné :
- a. Obtenez toutes les ouvertures inutilisées du système d'évacuation.
- b. Inspectez le système d'évacuation pour vérifier que les diamètres et la pente des tuyaux sont conformes aux normes ANSI Z223.1 (NFPA 54) ou au Code d'installation CSA B149.1, dernière édition, et aux présentes instructions. Déterminez s'il n'y a pas d'obstructions, de restriction, de fuite, de corrosion ou d'autres défauts pouvant créer un risque.
- c. Dans la mesure du possible, fermez toutes les portes et fenêtres du bâtiment, ainsi que les portes de communication entre les espaces dans lesquels se trouvent le ou les appareils reliés au système d'évacuation, et les autres zones du bâtiment. Mettez en marche au régime maximum les sècheuses de linge et tous les ventilateurs, comme les hottes aspirantes, les ventilateurs de salle de bains, etc. Ne faites pas fonctionner la ventilation d'été. Fermez les registres des foyers.
- d. Suivez les instructions d'allumage. Faites fonctionner l'appareil à continu.
- e. Après avoir déterminé que chaque appareil relié au système d'évacuation fonctionne correctement dans les conditions décrites ci-dessus, remettez les portes et les fenêtres, les ventilateurs, les registres de cheminée et tout autre appareil au gaz dans leurs états antérieurs.
- f. Si les essais révèlent un mauvais fonctionnement du système d'évacuation, il faut prendre les mesures correctives nécessaires.
5. Vérifiez qu'il n'y a pas d'obstacles devant la prise d'air et la sortie d'air chaud. main.
6. Vérifiez que le ventilateur est libre. L'hélice doit tourner librement à la respectant la direction de l'air (s'il y a lieu).
7. Vérifiez que tous les filtres sont en place et correctement installés en alignés sur les tubes de l'échangeur de chaleur et que les orifices à gaz sont centrés sur l'ouverture du tube inspirateur du brûleur.
9. Assurez-vous que les lames des persiennes sont ouvertes d'au moins 30° mesurés par rapport à la verticale.

10. Mettez l'appareil sous tension au niveau du sectionneur.
11. Vérifiez le thermostat, l'allumeur, le robinet de gaz, puis mettez la soufflante sous tension. Si le fonctionnement n'est pas normal, vérifiez avec le schéma de câblage.
12. Vérifiez que le moteur de la soufflante tourne dans le bon sens en comparant avec la flèche marquée sur le corps (s'il y a lieu). Vérifiez bien le sens de rotation, pas seulement le mouvement de l'air car, même à l'envers, l'hélice déplace de l'air.
13. Pour les appareils à circulation forcée, vérifiez la vitesse de la soufflante (tr/min). Voir les instructions de réglage de la soufflante pour toute modification.
14. Vérifiez le régime moteur (tr/min).
15. Vérifiez la tension du moteur.
16. Mesurez le courant d'appel du moteur et comparez-le à l'intensité nominale de la plaque signalétique.
17. Révérifiez la pression d'arrivée de gaz au niveau du robinet d'arrêt manuel installée sur site. La pression d'entrée minimum doit être de 6 po C.E. pour le gaz naturel et de 11 po C.E. pour le propane. La pression maximum d'arrivée pour l'un ou l'autre gaz est de 14 po C.E. Si la pression d'arrivée dépasse cette valeur, il faudra ajouter un détendeur en amont du robinet de gaz mixte.
18. Ouvrez le robinet d'arrêt de gaz manuel installé sur site.
19. Tournez le robinet manuel du régulateur combiné à la position « ON ».
20. Assurez-vous que la vanne générale de gaz s'ouvre. Vérifiez la pression au collecteur de gaz (voir Réglage principal du gaz) avec la soufflante en marche.
21. Assurez-vous que les commandes de gaz s'activent dans l'ordre (voir « Séquence de fonctionnement des commandes »). Si vous n'êtes pas familier avec ces commandes (régulateur de gaz combiné), lisez la documentation du fabricant du système de régulation, qui est livrée avec l'appareil.
22. Quand vous vous êtes assuré que l'appareil fonctionne normalement, retirez tous les fils volants utilisés pour les essais.
24. Remettez en place le panneau d'accès aux commandes sur le côté de l'appareil.
25. Si l'appareil est installé à plus de 2000 pieds, collez l'étiquette incluse dans l'ensemble pour haute altitude et remplissez tous les champs au feutre indélébile.

Réglage du brûleur principal

Le régulateur de pression du gaz (à l'intérieur du régulateur combiné) a été réglé en usine pour des caractéristiques moyennes de gaz. Il est essentiel que l'alimentation du brûleur soit conforme aux conditions indiquées sur la plaque signalétique. Ces conditions doivent être vérifiées et les réglages nécessaires, effectués après l'installation de l'appareil. Une puissance calorifique excessive se traduira par une surchauffe permanente réduisant la durée de vie de l'appareil et entraînant des besoins d'entretien accrus. Les valeurs indiquées sur la plaque signalétique doivent impérativement être respectées. La pression du collecteur de gaz doit être mesurée au raccord installé à côté du robinet d'arrêt.

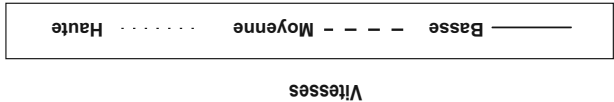
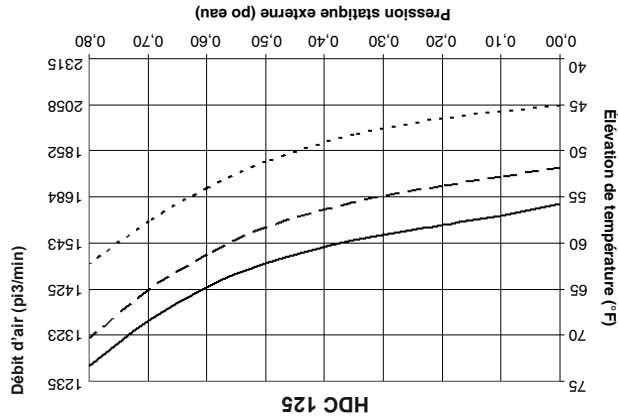
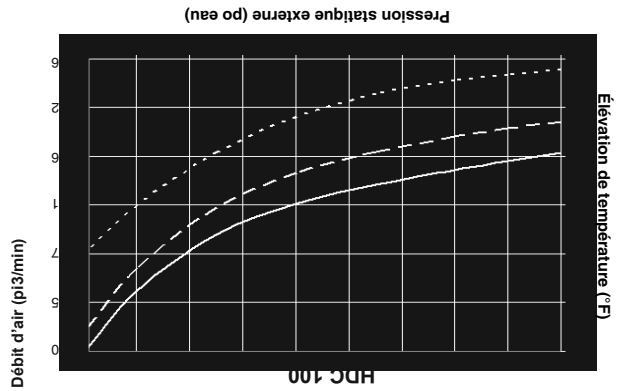
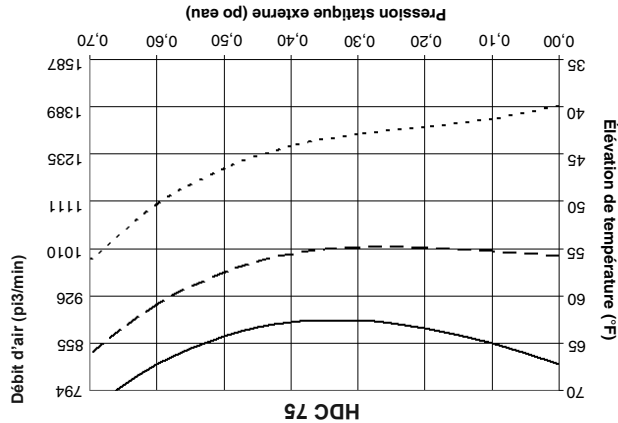
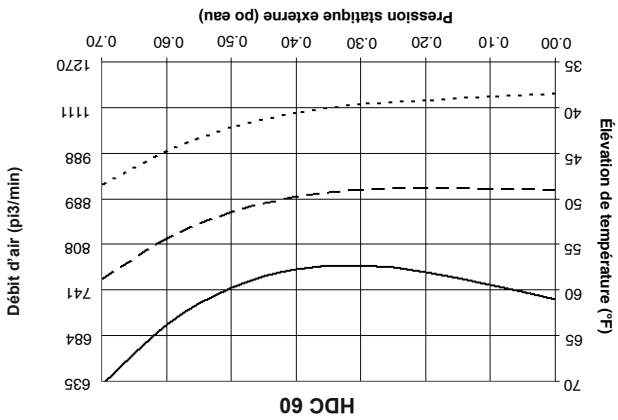
Pour régler la pression au collecteur de gaz

1. Tournez le robinet d'arrêt manuel installé sur site sur Arrêt.
 2. Retirez le bouchon "du raccord 1/8 po pour brancher un manomètre à tube en U dont les branches ont une hauteur d'au moins 30 cm (12 po)." 3. Tournez le robinet d'arrêt de gaz manuel installé sur site sur position Marche.
 4. Créez un appel thermique pour feu élevé à partir du thermostat.
 5. Consultez le tableau 12.1 pour déterminer la pression nominale au collecteur principal pour le type d'appareil. Les pressions entre 0 et 2000 pieds d'altitude sont de 3,5 po C.E. pour le gaz naturel, 10 po C.E. pour le propane; à plus de 2000 pi, reportez-vous aux instructions de raccordement au gaz à la page 13. Réglez le ressort du régulateur principal pour qu'il délivre le gaz à la pression correcte (pour savoir comme régler, consultez le manuel du régulateur fourni avec l'appareil).
 6. Après ce réglage, fermez le robinet d'arrêt manuel et revissez le bouchon du raccord de 1/8" po.
 7. Ensuite, ouvrez le robinet d'arrêt manuel installé sur site et assurez-vous à nouveau que les bouchons du tuyau ne fuient pas avec de l'eau savonneuse.
9. Assurez-vous que les lames des persiennes sont ouvertes d'au moins 30° mesurés par rapport à la verticale.

INSTALLATION – BRANCHEMENTS ÉLECTRIQUES

RACCORDEMENTS ÉLECTRIQUES

Courbe de soufflante, modèles HDC 60-125 seulement



Adaptation du câblage des moteurs de soufflante

Les soufflantes incorporées dans les appareils Modine HDC sont à entraînement direct et munies de trois vitesses. L'élévation de la température de l'air de l'appareil est déterminée par la vitesse de la soufflante et la pression statique dans le système. Les appareils sont normalement expédiés avec le moteur de la soufflante réglé pour la plus grande vitesse. Pour sélectionner la vitesse de la soufflante, le fil du moteur doit être connecté à la borne voulue « EAS » ou « Bio » sur le panneau de commande. Les fils inutilisés du moteur pour les autres vitesses sont attachés aux bornes « Park » du tableau. Voir le schéma de câblage à la page 21.

Si l'appareil à soufflante est raccordé à un système de gaines ou à une autre charge, consultez les courbes de performance sur cette page pour déterminer l'élévation de température en fonction de la vitesse du moteur et de la pression statique. Vérifiez que la pression statique de la sortie de l'appareil ne dépasse pas la pression maximale spécifiée pour l'appareil. Si la pression statique est trop élevée, elle doit être abaissée soit en modifiant le système, soit en utilisant une vitesse plus faible du moteur. Si l'appareil s'arrête en fonctionnement normal à cause d'un dépassement du seuil de température maximale, choisissez une vitesse plus élevée du moteur.

Le thermostat de commande sera installé en fonction des besoins de chauffage, sur une cloison intérieure à environ 1,5 m (5 pi) au-dessus du plancher et de façon à ne pas être exposé à la chaleur de l'appareil de chauffage ou d'une autre source, ni aux courants d'air des portes fréquemment ouvertes. Consultez les instructions fournies avec le thermostat.

AVERTISSEMENT

1. Débranchez l'alimentation avant d'effectuer des branchements pour éviter tout risque d'électrocution et d'endommagement de l'appareil.
2. Tous les branchements et câblages doivent être faits en stricte conformité avec le schéma fourni avec l'appareil. Tout câblage différent de celui du schéma peut créer des risques de dommages matériels ou de blessures.
3. Tout câblage usine d'origine exigeant un remplacement doit être remplacé par un câble d'indice thermique nominal de 105 °C.
4. Assurez-vous que la tension d'alimentation n'est pas supérieure de 5 % à la tension nominale inscrite sur la plaque de l'appareil.
5. Lorsque l'interrupteur de marche/arrêt de l'appareil est en position « Arrêt », l'alimentation reste sous tension à l'arrière de l'interrupteur. Quand un dispositif de démarrage de moteur installé à l'usine ou sur site comme un relais ou un contacteur est présent, il est possible que les bornes d'alimentation de ces composants restent sous tension, même en position « Arrêt ». Pour une maintenance sur ces bornes ou à proximité de celles-ci, l'alimentation du bâtiment à l'appareil doit être coupée.

ATTENTION

Vérifiez que la tension d'alimentation n'est pas inférieure de plus de 5 % à la tension nominale inscrite sur la plaque de l'appareil.

1. L'installation du câblage doit être conforme aux codes locaux du bâtiment ou, en l'absence de codes locaux, au Code électrique national ANS/NFPA 70, dernière édition. Conformément à ce code, l'appareil doit être mis à la terre. Au Canada, le câblage doit être conforme à CSA C22.1, Partie 1, Code électrique.
2. Deux exemplaires du diagramme de câblage de l'appareil sont fournis avec chaque appareil. L'un se situe dans le compartiment de commande accessible par le côté et l'autre est fourni dans le paquet de documentation. Reportez-vous à ce diagramme pour tous les branchements de câbles.
3. Assurez-vous que tous les composants multi-tension (moteurs, transformateurs, etc.) sont câblés conformément à la tension secteur.
4. L'alimentation de l'appareil doit être protégée par un interrupteur à fusible ou coupe-circuit.
5. L'alimentation doit se trouver à $\pm 5\%$ de la tension nominale et les phases doivent être équilibrées à $\pm 2\%$ les unes des autres. Sinon, prévenez le fournisseur d'électricité.
6. Les branchements électriques externes à installer incluent :
 - a. Branchement de l'alimentation secteur (115, 208, 230, 460 ou 575 volts).
 - b. Branchement des thermostats ou de tout autre appareil de commande d'accessoire pouvant être fourni (24 volts).
- REMARQUE** : Tous les appareils affichant une tension nominale de 208 V et plus doivent utiliser un transformateur abaisseur installé sur site, offert comme accessoire séparé. Pour des informations supplémentaires sur le transformateur requis, reportez-vous aux tableaux 15.1.
7. Pour l'emplacement du compartiment de commande accessible par le côté, reportez-vous à la figures 18.1 et 18.2.
8. Tous les branchements électriques secteur sont établis dans le compartiment de commande accessible par le côté. La basse tension (dispositifs de commande des thermostats et des accessoires) peut être câblée aux bornes dans le compartiment de commande accessible par le côté. Pour l'emplacement des bornes de tous les câbles à basse tension, reportez-vous au diagramme de câblage.
9. Des modèles à combustion séparés incluent un interrupteur de marche/arrêt à bascule installée à l'usine. Cet interrupteur a pour fonction de couper l'alimentation de l'appareil pour une maintenance ou d'arrêter l'appareil quand il fait chaud. Les valeurs nominales de l'interrupteur sont 15 A ou 3/4 HP à 125 V.

INSTALLATION – ENSEMBLE D'ACCESSOIRES POUR HAUTE ALTITUDE

Si la valeur de chauffage du gaz fourni est différente des valeurs des tableaux 13.1 et 13.2, utilisez l'équation suivante pour déterminer la pression appropriée au collecteur pour l'altitude et la valeur de chauffage du gaz fourni:

Equation 14.1 - Pression au collecteur pour valeur nominale de gaz réduite

$$MP_{ACT} = \left(\frac{BTU_{TBL}}{BTU_{ACT}} \right)^2 \times MP_{SL}$$

où :

MP_{ACT} = Pression au collecteur (po C.E.) en altitude –
Réglage de pression de gaz pour l'appareil de chauffage installé

BTU_{TBL} = Tenue du gaz en BTU/pi² –
Tiré du tableau 13.1 ou 13.2 (selon le cas)

BTU_{ACT} = Tenue du gaz en BTU/pi² –
Obtenu auprès du fournisseur de gaz local

MP_{SL} = Pression au collecteur (po C.E.), au niveau de la mer –
Utilisez 3,5 po C.E. pour le gaz naturel et 10 po C.E. pour le propane

REMARQUE : Seule la pression au collecteur primaire doit être réglée sur les appareils équipés de commandes de gaz à deux étages ou modulation. Aucun réglage de pression au collecteur à feu bas n'est nécessaire sur ces appareils.

INSTALLATION – ENSEMBLE D'ACCESSOIRES POUR HAUTE ALTITUDE

ENSEMBLE D'ACCESSOIRES POUR HAUTE ALTITUDE

Les valeurs nominales d'entrée standard des appareils au gaz de Modine sont certifiées par ETL. À plus de 2000 pieds, la norme ANSI Z223.1 exige la réduction des valeurs nominales de 4 % tous les 1000 pieds au-dessus du niveau de la mer. Au Canada, l'ACNOR exige la réduction des valeurs nominales de 10 % à plus de 2000 pieds d'altitude. Les instructions de réglage en haute altitude et les ensembles de pressostat listés dans ce manuel concernent les appareils qui seront installés à plus de 2000 pieds. Ces méthodes et ensembles sont conformes aux exigences ANSI Z223.1 et ACNOR.

Si un appareil doit être installé à plus haute altitude ET converti d'un service gaz naturel à gaz propane, un ensemble de conversion au propane doit être utilisé avec les méthodes de réglage de pression et les ensembles de pressostat listés dans ce manuel. Pour les instructions de sélection et d'installation pour les ensembles de conversion au propane, consultez la toute dernière version du manuel Modine 75-515.

Sélection de la pression et de l'ensemble corrects

Pour déterminer la pression de collecteur correcte en altitude et si nécessaire, l'ensemble de pressostat d'air de combustion correct, le numéro de modèle complet de l'appareil de chauffage, le combustible à utiliser et l'altitude à laquelle l'appareil sera installé doivent être connus. Pour obtenir les renseignements nécessaires sur l'appareil, consultez la plaque du numéro de série.

Une fois en possession de ces informations, consultez les tableaux de pressions de gaz et de sélection aux tableaux 13.1 à 13.3. Les tableaux de pression sont divisés par altitude, type de combustible et pays d'installation du produit. Les tableaux de sélection sont divisés par type de produit, altitude et type de combustible. Dans le cas d'une conversion du gaz naturel au propane et d'une utilisation à haute altitude, un ensemble de conversion au propane et un ensemble de pressostat devra être utilisé (le cas échéant). Les tableaux de sélection incluent le suffixe d'ensemble adéquat, si nécessaire.

Tableau 13.1 – Valeurs de chauffage du gaz naturel selon l'altitude

Altitude (pi)	É.-U.	Canada
0 à 2000	1050	1050
2001 à 3000	929	945
3001 à 4000	892	945
4001 à 4500	874	945
4501 à 5000	856	945
5001 à 6000	822	822
6001 à 7000	789	789
7001 à 8000	757	757
8001 à 9000	727	727
9001 à 10 000	698	698

Table 13.3 – Ensembles haute altitude pour HDS/HDC

Altitude (pi)	É.-U.	Canada
0 à 2000	2500	2500
2001 à 3000	2212	2250
3001 à 4000	2123	2250
4001 à 4500	2080	2250
4501 à 5000	2038	2038
5001 à 6000	1957	1957
6001 à 7000	1879	1879
7001 à 8000	1803	1803
8001 à 9000	1731	1731
9001 à 10 000	1662	1662

Tableau 13.2 – Valeurs de chauffage du gaz propane selon l'altitude

Certains fournisseurs de gaz pourront réduire la teneur en BTU (valeur de chauffage) du gaz fournie en altitude à une autre valeur que 1050 BTU/pi³ pour le gaz naturel ou 2500 BTU/pi³ pour le propane pour permettre l'utilisation de certains appareils de chauffage sans régler la pression au collecteur. C'est pourquoi il est nécessaire de contacter le fournisseur de gaz pour en savoir plus sur le type de gaz et la teneur en BTU (valeur de chauffage) avant d'utiliser un appareil de chauffage. Les tableaux 13.1 et 13.2 indiquent les valeurs de chauffage diminuées standard (4 % pour 1000 pieds d'altitude aux États-Unis et 10 % entre 2001 et 4500 pieds d'altitude au Canada) des gaz naturel et propane à différentes altitudes. Si l'altitude au Canada) des gaz naturel et propane à différentes altitudes. Si le fournisseur livre du gaz avec des valeurs de chauffage comme indiqué aux tableaux 13.1 et 13.2, la pression au collecteur doit être réglée à 3,5 po C.E. pour le gaz naturel et à 10 po C.E. pour le propane.

Gaz à valeur de chauffage diminuée et calcul de pression au collecteur

La pression d'arrivée dans l'appareil doit être confirmée dans les limites acceptables (6 à 7 po C.E. pour le gaz naturel et 11 à 14 po C.E. pour le gaz propane) avant d'ouvrir le robinet d'arrêt, faute de quoi le robinet de gaz mixte risque d'être endommagé.

Les appareils utilisant du propane ont des robinets de gaz qui doivent être réglés à une pression au collecteur de 10 po C.E. à une pression d'arrivée de 14 po C.E. Les appareils qui utilisent du gaz propane sont réglés pour une pression au collecteur de 10 po C.E. à une pression d'arrivée de 14 po C.E.

Les appareils qui utilisent du gaz propane sont réglés pour une pression au collecteur de 10 po C.E. à une pression d'arrivée de 14 po C.E. Une installation à plus de 2000 pieds d'altitude exige le réglage de la pression au collecteur comme décrit.

Régler de pression au collecteur

Les valeurs indiquées correspondent à une pression au collecteur de 10 po C.E.; pour les autres valeurs de teneur en BTU (disponibles auprès de votre fournisseur local), utilisez l'équation 14.1 pour calculer la pression au collecteur.

Les valeurs indiquées correspondent à une pression au collecteur de 10 po C.E.; pour les autres valeurs de teneur en BTU (disponibles auprès de votre fournisseur local), utilisez l'équation 14.1 pour calculer la pression au collecteur.

Si l'appareil est installé à plus de 2000 pieds, vous devrez peut-être remplacer un pressostat. Reportez-vous au tableau 13.3 pour voir si un changement de pressostat est nécessaire.

ANSI Z223.1 et ACNOR-B149, respectivement.

Table 13.3 – Ensembles haute altitude pour HDS/HDC

Taille de modèle	Détails	0 à 2000 pi	2001 à 2500 pi	2501 à 4500 pi	4501 à 5500 pi	5501 à 6500 pi	6501 à 7500 pi	7501 à 8500 pi	8501 à 9500 pi	9501 à 10 000 pi
30	Suffixe d'ensemble	Étiquette seulement	Étiquette seulement	Étiquette seulement	Étiquette seulement	Étiquette seulement	Étiquette seulement	Étiquette seulement	Étiquette seulement	Étiquette seulement
	Code d'article	0002	0002	68407	68407	68409	68411	68414	68414	68414
45	Suffixe d'ensemble	Étiquette seulement	Étiquette seulement	Étiquette seulement	Étiquette seulement	Étiquette seulement	Étiquette seulement	Étiquette seulement	Étiquette seulement	Étiquette seulement
	Code d'article	0002	0002	68406	68408	68407	68410	68414	68414	68415
60	Suffixe d'ensemble	Étiquette seulement	Étiquette seulement	Étiquette seulement	Étiquette seulement	Étiquette seulement	Étiquette seulement	Étiquette seulement	Étiquette seulement	Étiquette seulement
	Code d'article	0003	0003	68407	68407	68409	68411	68415	68415	68415
75	Suffixe d'ensemble	Étiquette seulement	Étiquette seulement	Étiquette seulement	Étiquette seulement	Étiquette seulement	Étiquette seulement	Étiquette seulement	Étiquette seulement	Étiquette seulement
	Code d'article	0003	0003	68407	68407	68409	68411	68415	68415	68415
100	Suffixe d'ensemble	Étiquette seulement	Étiquette seulement	Étiquette seulement	Étiquette seulement	Étiquette seulement	Étiquette seulement	Étiquette seulement	Étiquette seulement	Étiquette seulement
	Code d'article	0004	0004	68407	68407	68409	68411	68415	68415	68415
125	Suffixe d'ensemble	Étiquette seulement	Étiquette seulement	Étiquette seulement	Étiquette seulement	Étiquette seulement	Étiquette seulement	Étiquette seulement	Étiquette seulement	Étiquette seulement
	Code d'article	0004	0004	68408	68408	68408	68408	68408	68408	68408

① Pour les ensembles Étiquette seulement, le numéro de référence Modine 5H0807146005 doit être inscrit et attaché à l'appareil par l'installateur. Contactez le représentant Modine local au 1.866.828.4328 (HEAT).

INSTALLATION – RACCORDEMENTS DE GAZ

RACCORDEMENTS DE GAZ

AVERTISSEMENT

- Toutes les tuyauteries de gaz extérieures doivent être soumises à des essais de pression et d'étanchéité avant la mise en marche. Ne recherchez jamais les fuites avec une flamme nue. Utilisez plutôt de l'eau savonneuse ou un produit équivalent.
- La pression de gaz aux commandes de l'appareil ne doit jamais dépasser 35,5 cm C.E. (1/2 psi).
- Pour réduire les risques de condensation, le pouvoir calorifique minimum du gaz (au niveau de la mer) ne doit pas être inférieur de plus de 5 % à la valeur minimale nominale figurant sur la plaque signalétique de l'appareil ou de 5 % à la valeur la plus basse des appareils à double alimentation.

ATTENTION

- La purge de l'air des tuyauteries de gaz doit se faire selon la procédure ANSI Z223.1 de la dernière édition du National Fuel Gas Code ou des codes CSA B149 du Canada.
- Pour l'essai d'étanchéité des tuyauteries d'alimentation en gaz, l'appareil et son régulateur de gaz combiné doivent être isolés pour tout essai fait à une pression dépassant 14 po C.E. (1/2 psi).
- L'appareil devrait être isolé de la conduite d'alimentation en gaz par la fermeture d'un robinet d'arrêt manuel posé à l'installation. Ce robinet d'arrêt doit être dans un rayon de 1,8 m (6 pi) autour de l'appareil.
- Fermez l'arrivée générale de gaz avant d'installer l'appareil.

IMPORTANT

Pour éviter une défaillance prématurée de l'échangeur de chaleur, l'appareil doit être installé de manière à ce que l'air ne soit pas aspiré par le brûleur. L'appareil doit être installé de manière à ce que l'air ne soit pas aspiré par le brûleur.

- L'installation doit se faire conformément aux codes locaux de la construction ou, à défaut de tels codes, conformément au National Fuel Gas Code, ANSI Z223.1 (NFPA 54), dernière édition. Au Canada, l'installation doit se faire conformément à la norme CSA B149.1.
- Les tuyauteries doivent être conformes aux exigences locales et nationales pour le type et le volume de gaz, ainsi que les pertes de charge admissibles dans les conduites. Voir le tableau 12.1 pour déterminer les débits (pieds cubes/heure), le type de gaz et la capacité de l'appareil à installer. À partir de la valeur du débit et de la longueur de tuyau nécessaire, déterminez le diamètre de tuyau en consultant le tableau 12.2. Si plusieurs appareils de chauffage sont desservis par la même conduite principale, il faut tenir compte de la capacité totale, du débit total et de la longueur totale. N'utilisez pas de tuyau plus petit que 1/2 po. Le tableau 12.2 est établi pour une perte de charge de 0,3 po C.E. entre la conduite principale du bâtiment et l'appareil de chauffage. La pression du gaz à l'entrée de l'appareil doit être de 1,50 à 1,75 kPa (6 à 7 po d'eau) pour le gaz naturel et de 2,75 à 3,50 kPa (11 à 14 po d'eau) pour le propane. En déterminant le diamètre de la conduite d'alimentation, il faut s'assurer que ces pressions seront respectées à l'entrée de l'appareil malgré la perte de charge de 0,7 mm (0,3 po) admise dans la tuyauterie. Si une perte de charge de 0,3 po C.E. est excessive, consultez le manuel Gas Engineers Handbook pour déterminer la section des tuyaux de gaz.
- Installez un raccord union à joint rodé avec un siège en laiton et un robinet d'arrêt manuel adjacent à l'appareil pour les arrêts manuels d'urgence et l'entretien des commandes, comportant un raccord 1/8 po NPT avec bouchon obturateur, pour pouvoir brancher un manomètre (figure 12.1).
- Utilisez deux clés pour raccorder la tuyauterie du site aux appareils.
- Ajoutez un collecteur de sédiments en amont de chaque appareil et dans la tuyauterie s'il n'est pas possible d'éviter les points bas (voir la figure 12.1).
- Si des essais de pression et d'étanchéité doivent être faits à plus de 14 po C.E. (0,5 psi), fermez le robinet d'arrêt, débrichez l'appareil et son régulateur de gaz combiné de la tuyauterie d'alimentation et bouchez la tuyauterie. Lorsque vous testez des pressions de 14 po C.E. (1/2 psi) ou inférieures, fermez le robinet d'arrêt manuel sur l'appareil avant d'effectuer le test.

Figure 12.1 - Installation recommandée : piège à sédiments et robinet d'arrêt manuel – Pour un raccordement latéral ou par le bas

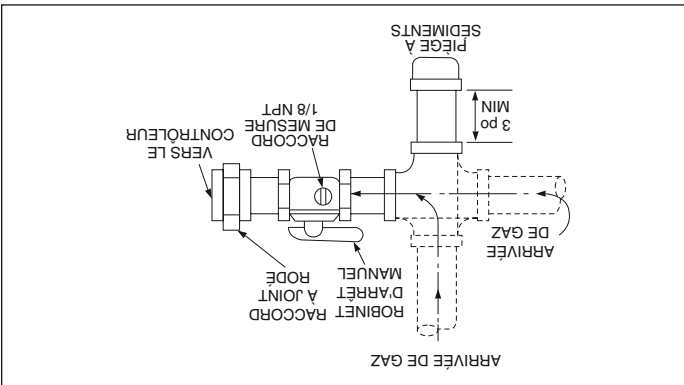


Tableau 12.1 - Pression au collecteur et consommation de gaz au niveau de la mer

Nbre d'offices	Taille		Pression au collecteur en C.E.	Pression au collecteur en C.E.	
	BTU pi cubes	Densité relative		Propane	Naturel
2	1050	0,60	3,5	10	10
	2500	1,53	10	12	12
4	18	42,9	49	18	18
	0,50	200	56	0,66	150
5	42 pi	18	49	56	56
	0,50	200	56	0,66	150
5	42 pi	18	49	56	56
	0,50	200	56	0,66	150
5	42 pi	18	49	56	56
	0,50	200	56	0,66	150
5	42 pi	18	49	56	56
	0,50	200	56	0,66	150
5	42 pi	18	49	56	56
	0,50	200	56	0,66	150
5	42 pi	18	49	56	56
	0,50	200	56	0,66	150
5	42 pi	18	49	56	56
	0,50	200	56	0,66	150
5	42 pi	18	49	56	56
	0,50	200	56	0,66	150

Tableau 12.2 - Capacités de gaz – Gaz naturel

Longueur de tuyau (pi)	Gaz naturel		Gaz naturel	
	1/2 po	3/4 po	1 po	1-1/4 po
10	132	278	520	1050
20	92	190	350	730
30	73	152	285	590
40	63	130	245	500
50	56	115	215	440
60	50	105	195	400
70	46	96	180	370
80	43	90	170	350
100	38	79	150	305
125	34	72	130	275
150	31	64	120	250

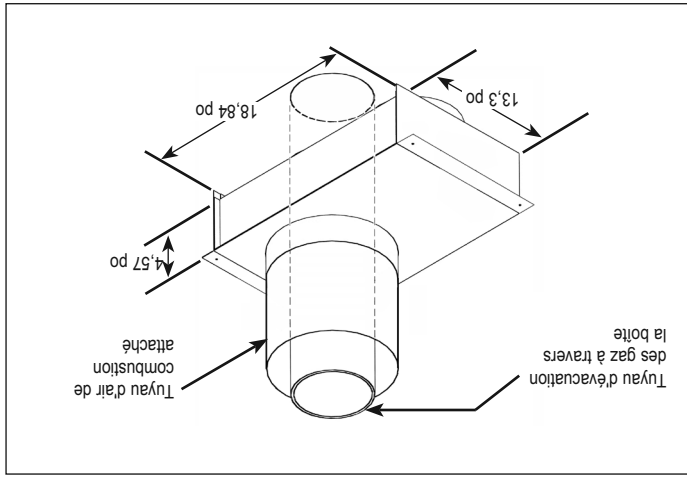
Capacités en pieds-cubes par heure dans des tuyaux de nomenclature 40 avec une chute de pression maximum de 0,3 po C.E. avec une pression gazeuse de 14 po C.E. La densité est de 0,60 pour le gaz naturel et de 1,50 pour le propane.

② Pour obtenir la capacité de tuyaux contenant du propane, divisez la capacité pour le gaz naturel par 1,6. Exemple : quelle est la capacité d'un tuyau à propane de 60 pi x 1-1/4 po ? Sa capacité pour le gaz naturel est de 400 pi³/h. Divisez cette valeur par 1,6 pour obtenir 250 pi³/h pour le propane.

INSTALLATION – EVACUATION

D9. Glissez le tuyau d'air de combustion sur le tuyau d'évacuation et attachez-les à la prise d'air de la boîte adaptatrice d'évacuation concentrique (figure 11.1), à l'aide de 3 vis à tête résistante à la corrosion. Scellez les joints à l'aide d'un produit adapté à des températures pouvant atteindre 204 °C.

Figure 11.1 – Boîte adaptatrice avec la prise d'air de combustion fixée



D10. Engagez l'ensemble (boîte adaptatrice, tuyau d'évacuation et tuyau d'air de combustion) à travers le mur ou le toit en vous assurant que les prescriptions de distance de la section D7 sont respectées. Attachez solidement l'ensemble au bâtiment. D11. Depuis l'extérieur du bâtiment, colmatez au mastic l'espace entre le tuyau de prise d'air de combustion et le trou de pénétration du bâtiment. D12. Attachez comme suit les terminaisons des tuyaux d'évacuation et de prise d'air de combustion :

Pour les ensembles d'évacuation de gaz concentrique verticale (figure 10.1) :

- Glissez le couronnement du tuyau d'air de combustion vers le bas sur le tuyau d'évacuation et attachez-les au tuyau d'air de combustion, à l'aide de 3 vis à tête résistante à la corrosion.
- Attachez le couronnement du tuyau d'évacuation au tuyau d'évacuation à l'aide de 3 vis résistant à la corrosion. Pour raccorder l'évacuation au tuyau à double paroi, consultez l'instruction A12.
- Assurez l'étanchéité entre le chapeau de la prise d'air de combustion et la cheminée avec un mastic silicone ou un autre produit d'étanchéité métal sur métal résistant à des températures de 204 °C (400 °F).

Pour les ensembles d'évacuation concentrique horizontale (figure 10.2) :

- Attachez la grille de la prise d'air de combustion à l'aide de vis résistant à la corrosion à l'extrémité du tuyau de prise d'air de combustion pour éviter l'entrée d'animaux ou de corps étrangers.
- Attachez le couronnement du tuyau d'évacuation au tuyau d'évacuation à l'aide de 3 vis résistant à la corrosion.

D13. Pour les modèle tailles 30 et 45, attachez les transitions d'évacuation de 7,6 et 10 cm aux raccords d'évacuation horizontale non concentrique et d'air de combustion à l'aide de 3 vis à tête résistante à la corrosion.

D14. Installez le tuyau d'évacuation et le tuyau d'air de combustion entre l'appareil de chauffage et la boîte adaptatrice concentrique, comme indiqué à « Section A – Instructions générales – Tous modèles ». D15. Une fois l'installation du système d'évacuation terminée, passez à la section intitulée « Installation – Raccordements de gaz ».

Tableau 11.1 – Diamètres de tuyau d'évacuation concentrique

Tuyau d'évacuation type B	Tuyau à simple paroi	Taille de modèle d'air de combustion (à l'appareil)	Taille de modèle d'air de combustion (externe)	Évacuation (pass-through)
		3 po	6 po	4 po
		4 po	6 po	4 po

① L'évacuation de type B doit avoir un espace de 6 mm (1/4 po) (D.E. supérieur de 1,3 cm [1/2 po] au D1).
 ② Utilisez les transitions de conduit d'évacuation dans l'ensemble d'évacuation de gaz concentrique, comme décrit dans D13.

Figure 11.2 – Vue éclatée de la boîte adaptatrice

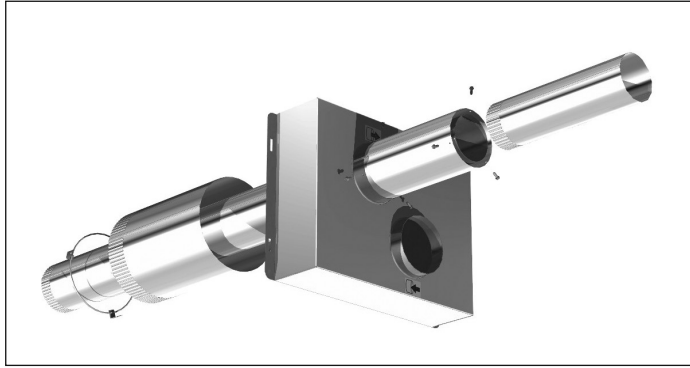


Tableau 11.2 - Chapeaux de cheminée (concentrique)

Taille de modèle	Réf. Modèle	30-45 Concentrique horizontale	30-45 Concentrique verticale	60-125 Concentrique horizontale	60-125 Concentrique verticale
5H075150001 Chapeau de cheminée	3H0349320004 Grille d'entrée d'air		5H0751540004 Chapeau de cheminée	5H075150001 Chapeau de cheminée	5H072285001 Chapeau de cheminée
5H075150001 Chapeau de cheminée	3H0349320004 Grille d'entrée d'air		5H0751540004 Chapeau de cheminée	5H075150001 Chapeau de cheminée	5H072285001 Chapeau de cheminée

INSTALLATION – ÉVACUATION des gaz concentrrique

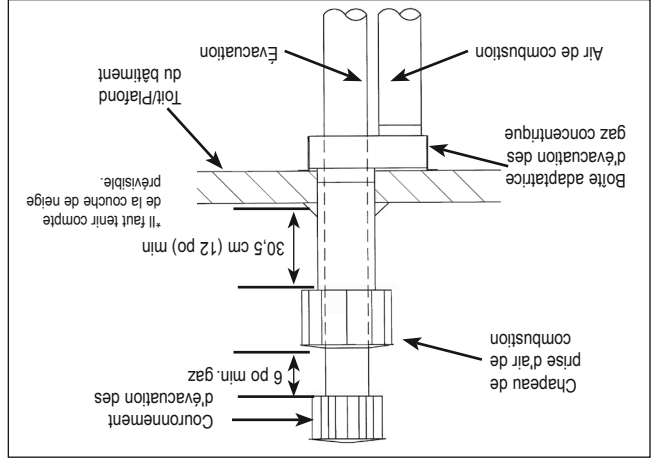
D1. Cette section s'applique aux systèmes d'évacuation des gaz concentrriques horizontaux et verticaux tels que définis dans la « Section A – Instructions générales – tous modèles » et vient s'ajouter aux instructions de cette section.

D2. Lorsque vous utiliserez l'option d'évacuation concentrrique des gaz, chauffage se fera à l'horizontale ou à la verticale. Avant de poursuivre, assurez-vous que l'ensemble d'évacuation concentrrique reçu contient les composants corrects pour l'installation :

Pour les modèles à évacuation des gaz verticale (figure 10.1) :

- ① Adaptateur concentrrique (identique pour les ensembles horizontaux et verticaux)
- ② Chapeau de cheminée listé standard
- ③ Chapeau de prise d'air spécial (réf. 5H075154001)

Figure 10.1 – Composants de l'ensemble d'évacuation des gaz concentrrique verticale

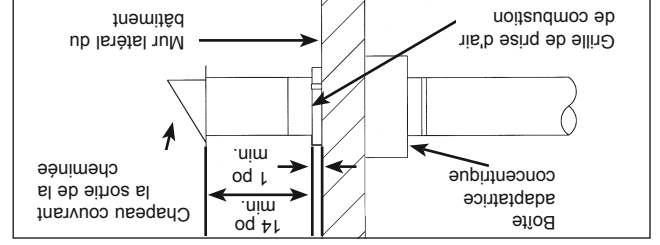


Pour les modèles à évacuation des gaz horizontale

(Figure 10.2) :

- ① Adaptateur concentrrique (identique pour les ensembles horizontaux et verticaux)
- ② Chapeau d'évacuation spécial (réf. 5H075150001)
- ③ Grille de prise d'air spéciale

Figure 10.2 – Composants de l'ensemble d'évacuation des gaz concentrrique horizontale



D3. Une fois le contenu de l'ensemble vérifié comme étant correct pour la direction de l'évacuation, la boîte adaptatrice d'évacuation des gaz concentrrique doit être installée. Déterminez l'emplacement de la boîte. Respectez toutes les distances de sécurité prescrites dans les instructions.

La boîte adaptatrice concentrrique doit être installée à l'intérieur de la structure ou du bâtiment. Elle n'est pas prévue pour être installée à l'extérieur.

ATTENTION

- D4. La boîte adaptatrice doit être montée à l'intérieur du bâtiment. Elle ne doit pas être montée à l'extérieur. Elle a des trous de fixation pour en faciliter l'installation.
- D5. La boîte adaptatrice peut être montée en affleurant au mur (pour les ensembles horizontaux) ou au plafond (pour les ensembles verticaux). La boîte peut également être déposée du mur ou du plafond à l'aide d'équerres non fournies. Lorsque vous montez la boîte, prenez en considération des facteurs tels que la facilité de maintenance et l'accessibilité des tuyaux d'évacuation des gaz et d'air de combustion. Si la boîte doit être montée à l'aide des équerres non fournies, ces équerres devront être assez solides pour fixer solidement la boîte au mur ou au plafond, et elles devront être faites d'un matériau résistant à la corrosion.
- D6. Déterminez la longueur du tuyau d'évacuation des gaz et du tuyau de prise d'air de combustion pour l'emplacement sélectionné. LE TUYAU D'ÉVACUATION DES GAZ TRAVERSE LA BOÎTE ADAPTATRICE D'ÉVACUATION DES GAZ CONCENTRRIQUE. LA DERNIÈRE LONGUEUR DE TUYAU D'ÉVACUATION DES GAZ EST UNE LONGUEUR CONTINUE DE TUYAU À DOUBLE PAROI. Voir la section A12 pour le raccordement et la fermeture du tuyau à double paroi. Commencez par les sections de tuyau côté tuyau concentrrique de la boîte adaptatrice en vous reportant aux figures 10.1 et 10.2. Ces tuyaux traversent le mur ou le toit et toute autre longueur supplémentaire correspondant à l'épaisseur du mur et au déport par rapport aux équerres installées sur site.

Pour les ensembles d'évacuation des gaz concentrrique verticale (figure 10.1) :

- Le dessous du chapeau de la prise d'air de combustion doit être au-dessus de la hauteur normale de neige ou au moins à 30 cm (12 po) du toit (la plus grande des deux distances).
- Le bas du tuyau de prise d'air de combustion air doit se terminer à 15,2 cm minimum au-dessus du couronnement de prise d'air de combustion.

Pour les ensembles d'évacuation des gaz concentrrique horizontale (figure 10.2) :

- Le tuyau de prise d'air de combustion doit se terminer à 2,5 cm (1 po) minimum du mur pour éviter que l'eau ne s'écoule le long du mur et ne retourne dans le tuyau.
- L'arrière du chapeau d'évacuation doit être à au moins 36 cm (14 po) au-dessus du tuyau de la prise d'air de combustion.

- D7. Coupez les tuyaux d'air de combustion et d'évacuation horizontale concentrrique à la bonne longueur comme indiqué à l'étape précédente. Pour les diamètres des tuyaux d'évacuation et d'air de combustion, voir le tableau 8.1. Les tuyaux doivent être en inox ou en matière galvanisée à paroi simple, mis à part la dernière longueur du tuyau d'évacuation, qui doit être une longueur continue de tuyau d'évacuation B à double paroi traversant la boîte adaptatrice d'évacuation des gaz concentrrique et le tuyau de prise d'air de combustion côté concentrrique de la boîte.
- D8. Le tuyau d'évacuation des gaz côté concentrrique doit traverser la boîte adaptatrice d'évacuation des gaz concentrrique, comme illustré à la figure 11.1. Attachez le tuyau d'évacuation des gaz à double paroi au tuyau d'évacuation des gaz à paroi simple qui entre dans l'appareil. Veillez à fermer hermétiquement le raccord et à dégager la zone autour de l'évacuation des gaz à double paroi. Scellez tous les joints et les raccords à l'aide d'un produit adapté à des températures pouvant atteindre 204 °C (400 °F).

INSTALLATION – ÉVACUATION

Section B – Installation d'un système d'évacuation verticale à 2 tuyaux

- B1. Cette section s'applique aux systèmes d'évacuation des gaz à 2 tuyaux (un tuyau de prise d'air de combustion et un tuyau d'évacuation des gaz) verticaux et vient s'ajouter à « Section A – Instructions générales – tous modèles ».
- B2. Conduit vertical débouchant verticalement (vers le haut).
- B3. Il est recommandé de toujours poser un té dont la branche verticale munie d'un bouchon servira à collecter les liquides, comme sur la figure 8.1.
- B4. Les tuyaux d'air de combustion et d'évacuation des gaz doivent se terminer par (2) chapeaux de cheminée listés.
- B5. Les conduits verticaux doivent se terminer à des distances horizontales et verticales minimales des lignes de toiture et des murs ou obstacles adjacents. Ces distances minimums sont données à la figure 8.1 et au tableau 8.1.
- B6. La cheminée doit déboucher au moins 30 cm (1 pi) au-dessus et 15 cm (6 po) horizontalement de la prise d'air de combustion.

Figure 8.1 – Système d'évacuation des gaz vertical à 2 tuyaux – Toit en pente

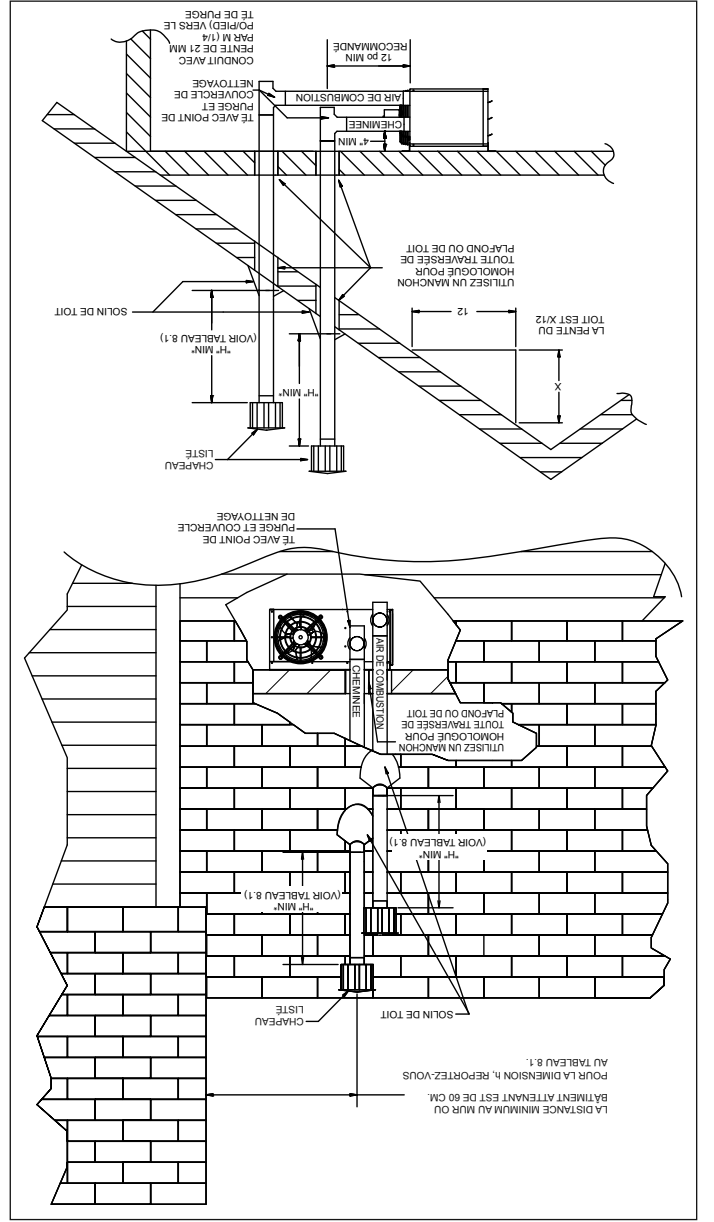
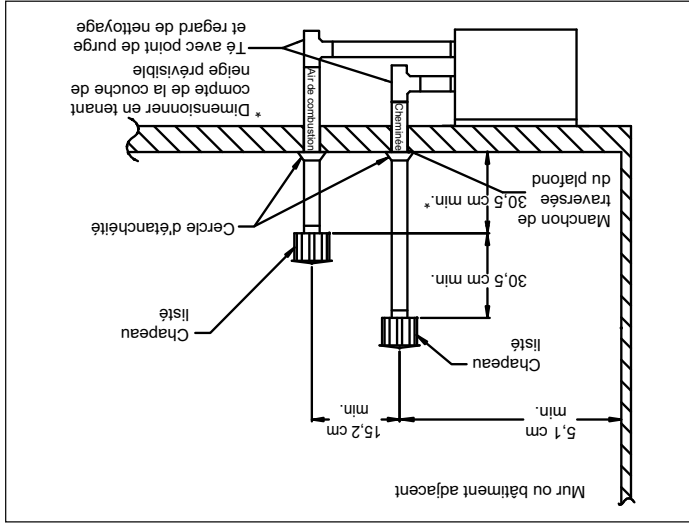


Tableau 8.1 – Hauteur minimale de l'orifice de sortie le plus bas au-dessus du toit

Hauteur X (po)	Pente du toit	Hauteur min. H (pi) ①
0-6	Plat à 6/12	1
6-7	6/12 à 7/12	1,25
7-8	7/12 à 8/12	1,50
8-9	8/12 à 9/12	2
9-10	9/12 à 10/12	2,50
10-11	10/12 à 11/12	3,25
11-12	11/12 à 12/12	4
12-14	12/12 à 14/12	5
14-16	14/12 à 16/12	6
16-18	16/12 à 18/12	7
18-20	18/12 à 20/12	7,50
20-21	20/12 à 21/12	8

① Il faut tenir compte de la couche de neige prévisible.

Figure 8.2 – Évacuation verticale – 2 tuyaux, toit plat



B9. Une fois que le système d'évacuation a été établi, passez à la section « Installation – Raccordements de gaz ».

INSTALLATION – ÉVACUATION

inférieure à 204 °C (400 °F). Installez un raccord en té au point bas du système de ventilation et fournissez un collecteur de condensats avec un bouchon de nettoyage, comme illustré à la figure 8.1.

A10. Si le tuyau traverse une cloison INTÉRIÈRE ou un plancher combustible, la traversée doit être munie d'un manchon métallique d'un diamètre supérieur de 10 cm (4 po) à celui du tuyau. Si le tuyau situé entre l'appareil et la traversée du mur ou du plancher a une longueur supérieure à 1,8 m (6 pi), le manchon peut avoir un diamètre de 5 cm (2 po) seulement de plus que le tuyau. S'il n'y a pas de manchon de traversée, tous les matériaux combustibles doivent être découpés pour assurer un dégagement d'au moins 15 cm (6 po) tout autour du tuyau. Sous réserve de l'accord des autorités compétentes locales, une évacuation de type B peut être utilisée comme dernier tronçon du conduit d'évacuation pour maintenir un dégagement par rapport aux combustibles lors du passage à travers le mur ou le plancher (voir la figure 6.1). Tout matériau utilisé pour boucher cette ouverture doit être incombustible.

A11. Sceller toutes les coupures et les joints des tuyaux à paroi simple non étanchés avec du ruban métallique ou Silastic pour des températures allant jusqu'à 205 °C (400 °F). Le ruban doit être enroulé de deux fois autour du tuyau. Une section continue de tuyau d'évacuation à double paroi peut être utilisée dans le système d'évacuation pour la traversée du mur jusqu'à un chapeau d'évacuation listé. Voir le point A12 de la section A – Instructions générales – Tous modèles pour les transitions entre double paroi et simple paroi.

A12. Instructions générales pour l'installation du tuyau de chapeau à double paroi (Type B) :

Raccordement d'un chapeau de cheminée à paroi simple à un tuyau d'évacuation à double paroi (type B) :

1. Recherchez la flèche « de sens » sur le tuyau d'évacuation.
2. Fixez le chapeau de cheminée à l'extrémité du tuyau d'évacuation à double paroi.
3. Percez (3) avant-trous à travers le tuyau et le chapeau de cheminée. Utilisez des vis à tôle de 3/4 po pour fixer le chapeau au tuyau. Ne serrez pas trop.

Comment fixer un tuyau d'évacuation à paroi simple à un tuyau à double paroi (type B) :

1. Entoncez le tuyau à simple paroi dans la paroi interne du tuyau à double paroi.
2. Percez trois avant-trous à travers les deux épaisseurs des tuyaux. Utilisez des vis à tôle de 3/4 po pour fixer les deux tuyaux. Ne serrez pas trop.
3. L'écart entre les tuyaux à double et à simple paroi doit être scellé, mais il n'est pas nécessaire de remplir le volume complet de la zone annulaire. Pour fermer l'ouverture annulaire, appliquez un large boudin de Silastic 400 °F (205 °C).

A13. Les dégagements doivent être maintenus jusqu'à la sortie du conduit d'évacuation :

Tableau 7.1 - Information concernant les dégagements des conduits d'évacuation

Structure	Dégagements minimums pour les conduits d'évacuation
Prise d'air forcée à moins de 3 m (10 pi)	150 cm (3 pi) au-dessus
Prise d'air de combustion d'un autre appareil	180 cm (6 pi) toutes directions
Porte, fenêtre, prise d'air libre dessous ou autre ouverture du bâtiment	120 cm (4 pi) horizontalement ou en 30 cm (1 pi) au-dessus
Compteur électrique, compteur à gaz, régulateur de gaz et équipement de décharge	120 cm (4 pi) horizontalement (É.-U.) 6 pi horizontalement (Canada)
Régulateur de gaz	90 cm (3 pi) horizontalement (É.-U.) 180 cm (6 pi) horizontalement
Mur ou parapet de bâtiment adjacent	180 cm (6 pi) toutes directions
Passage public adjacent	210 cm (7 pi) toutes directions
Niveau du sol	90 cm (3 pi) au-dessus

① L'évent ne doit pas déboucher au-dessus d'un compteur ou d'un régulateur de gaz.

A14. Cet appareil ne doit PAS être relié à une cheminée en maçonnerie. A15. Utilisez PAS de registres ni d'autres accessoires dans les conduits d'évacuation ou d'air de combustion.

A16. Le système d'évacuation doit être exclusif à un seul appareil et aucun autre appareil ne doit être ventilé par son truchement.

A17. Des précautions doivent être prises pour éviter la dégradation des matériaux de couverture par les produits de combustion.

A18. Un tuyau d'évacuation à simple paroi ne doit pas traverser un grenier occupé, une cloison, un vide de construction ou un plancher.

A19. Dans les régions où la température d'hiver utilisée pour le calcul à 99 % est inférieure à 0 °C (32 °F), il n'est pas permis d'utiliser des tuyaux simples pour l'évacuation à l'extérieur des gaz de combustion. A19. Dans les climats très froids, si le tuyau horizontal ou vertical d'air de combustion est très long, il faudra parfois l'isoler pour éviter la condensation sur l'extérieur du tuyau dans les zones climatisées.

A20. Les tuyaux verticaux d'air de combustion doivent être munis d'un té avec point de purge et regard de nettoyage pour recueillir l'humidité de l'air avant son entrée dans l'appareil de chauffage. Le collecteur de condensat doit être régulièrement inspecté et nettoyé au cours de la saison de chauffage.

A21. Le chapeau de cheminée doit être :

Tableau 7.2 - Chapeaux de cheminée

Taille de modèle	Réf. Modèle
30-45	5H0722850005
60-75	5H0722850001
100-125	5H0722850001

A22. Outre ces instructions générales, vous devez également suivre les instructions concernant les systèmes d'évacuation des gaz verticaux et horizontaux dans les configurations « 2 tuyaux » ou « concentrique ».

Les différences sont mises en évidence ci-dessous :

Détermination d'un système d'évacuation vertical de catégorie III

- Conduit vertical débouchant verticalement (vers le haut) (exemple à la figure 8.1).

• Déterminez comme suit la configuration d'évacuation :

> Pour deux pénétrations de bâtiment à travers un mur ou le toit (l'une pour le tuyau de prise d'air de combustion, l'autre pour le tuyau d'évacuation des gaz), passez à « Section B – Système d'évacuation vertical à 2 tuyaux ».

> Pour une pénétration de bâtiment plus importante à travers un mur ou le toit, à travers laquelle passent à la fois le tuyau de prise d'air

> Dans tous les autres cas, passez à la section suivante « Détermination du système d'évacuation horizontal ».

Détermination d'un système d'évacuation horizontal de catégorie III

- Conduit horizontal débouchant horizontalement (sur le côté du bâtiment) (exemple à la figure 9.1).

• Déterminez comme suit la configuration d'évacuation :

> Pour deux pénétrations de bâtiment à travers un mur ou le toit (l'une pour le tuyau de prise d'air de combustion, l'autre pour le tuyau d'évacuation des gaz), passez à « Section C – Système d'évacuation horizontal à 2 tuyaux ».

> Pour une pénétration de bâtiment plus importante à travers un mur ou le toit, à travers laquelle passent à la fois le tuyau de prise d'air de combustion et le tuyau d'évacuation des gaz, passez à « Section D – Installation d'un système d'évacuation des gaz concentrique ».

AVERTISSEMENT

1. Un système d'évacuation est obligatoire pour les appareils de chauffage au gaz – ne les faites jamais fonctionner sans évacuation des gaz.
2. Un extracteur intégré assure la circulation des gaz – il est inutile ou interdit d'installer un dispositif d'extraction externe supplémentaire.
3. Si un appareil de chauffage existant est remplacé, vous devrez peut-être redimensionner les systèmes d'évacuation des gaz. Un système de ventilation de diamètre insuffisant peut causer des refoulements de gaz brûlés ou la formation de condensat. Reportez-vous au National Fuel Gas Code ANSI Z223.1 (NFPA 54) ou à la dernière édition du code d'installation CSA B149.1. Le non-respect de ces instructions peut se solder par des blessures graves, voire mortelles.
4. Il est interdit d'accoupler deux longueurs de tuyau à double paroi dans une même installation d'évacuation horizontale à cause de l'impossibilité de vérifier l'étanchéité des raccords du tuyau intérieur.

ATTENTION

L'installation doit se faire conformément aux codes locaux de la construction ou, à défaut de tels codes, conformément à la Partie 7 « Venting of Equipment » du National Fuel Gas Code, ANSI Z223.1 (NFPA 54) - dernière édition. Au Canada, l'installation doit se faire conformément à la norme CSA B149.1.

Les circuits d'évacuation des modèles HDS/HDC doivent être conformes aux descriptions des présentes instructions pour conduire les gaz de combustion de l'appareil ou de son raccord de sortie vers l'atmosphère extérieure. Les appareils de chauffage doivent également avoir un tuyau de prise d'air de combustion séparé pour un apport d'air frais provenant de l'atmosphère extérieure pour la combustion.

Les instructions d'évacuation sont organisées en sections, selon le type d'installation. Ces sections sont identifiées de la manière suivante :

Section	Instructions d'installation applicables par type de système d'évacuation
A	Instructions générales applicables à TOUTES les installations
B	Systèmes d'évacuation VERTICALE Catégorie I ①
C	Systèmes d'évacuation HORIZONTALE Catégorie III ①
D	Systèmes d'évacuation des gaz HORIZONTAUX ET VERTICAUX CONCENTRIQUES ①

① Les différences entre les systèmes d'évacuation des gaz verticaux et horizontaux dans les configurations « 2 tuyaux » et « concentrique » seront identifiées à « Section A – Instructions générales – Tous modèles ».

Section A – Instructions générales – Tous modèles

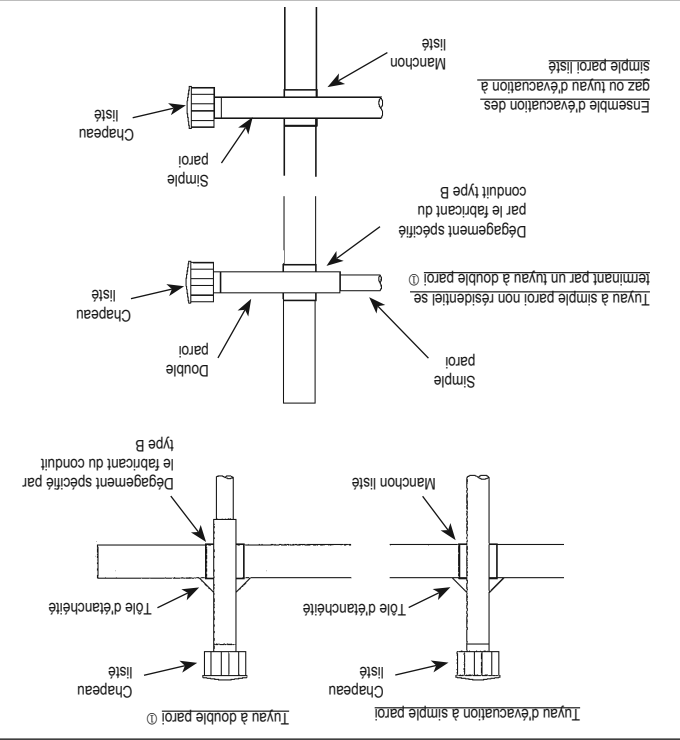
- A1. Si l'appareil que vous installez remplace un équipement existant et utilise le même système d'évacuation, inspectez le système pour vérifier que les diamètres et la pente des tuyaux sont conformes aux exigences du National Fuel Gas Code ANSI Z223.1 (NFPA 54) ou du code d'installation CSA B149.1, dernière édition, et aux présentes instructions. Déterminez s'il n'y a pas d'obstructions, de restriction, de fuite, de corrosion ou d'autres déficiences pouvant créer un risque.
- A2. L'air de combustion et les tuyaux de cheminée doivent être des tuyaux en acier galvanisé ou autre matière résistante bien à la corrosion. L'épaisseur minimale du conduit d'évacuation est spécifiée dans le National Fuel Gas Code. N'utilisez jamais des tuyaux de cheminée en PVC ou autres types de plastique.
- A3. Tous les appareils de chauffage sont fournis avec des adaptateurs de cheminée et d'air de combustion permettant d'attacher le tuyau à l'appareil de chauffage. Attachez le tuyau d'évacuation des gaz à l'adaptateur à l'aide de 3 vis résistant à la corrosion. (Percez un avant-trou à travers le tuyau d'évacuation et l'adaptateur avant de poser la vis). Le tuyau d'évacuation des gaz ne doit pas être d'un diamètre inférieur à celui du connecteur.

Tableau 6.1 - Diamètres de tuyau d'évacuation, transitions et longueurs de tuyau d'évacuation équivalentes totales pour les systèmes d'évacuation horizontale et verticale

Longueur équiv. maximum	Longueur équiv. minimum	Taille de modèle	
		Diamètres de tuyau d'évacuation	Longueur de tuyau
30-45	3 pi	3 po	4 po
60-125	3 pi	3 pi	4 po

- A4. Pour les longueurs totales de tuyau d'évacuation équivalentes, en créant le système d'évacuation le plus droit possible, voir le tableau 6.1. The equivalent length of a 3" elbow is 1' and for a 4" elbow is 5'.
 A5. Il est recommandé de prévoir un raccord droit d'au moins 30 cm (12 po) entre la sortie de l'appareil et le conduit d'évacuation.
 A6. Les sections horizontales du tuyau d'évacuation doivent être installées avec une pente ascendante ou descendante de l'appareil de 1/4 de pouce par pied et doivent être suspendues de manière sécurisée à des structures suspendues à des points ne dépassant pas 3 pi.
 A7. Les tuyaux doivent être fixés les uns aux autres par au moins 3 vis à tôle anticorrosion.
 A8. Les tuyaux à simple paroi doivent être éloignés d'au moins 15 cm (6 po) des surfaces combustibles. Pour des tuyaux à double paroi, suivez les instructions du fabricant en matière de dégagement. La distance minimum des matières combustibles dépend de la température de surface de la matière combustible ne devant pas dépasser 71 °C. Il est possible que la distance par rapport au tuyau de ventilation (ou au haut de l'appareil) doit être augmentée à plus de 6 po si la chaleur risque de causer des dommages autre que le feu (comme des déformations ou une altération de couleur).
 A9. Évitez de faire passer le conduit à travers un espace non chauffé, dans la mesure du possible. Si le tuyau traverse un espace non chauffé ou si l'appareil est installé dans un environnement propice à la condensation, il faudra isoler toute longueur de tuyau de plus de 1,5 m (5 pi) afin de minimiser la condensation. Assurez-vous qu'il n'y a pas de fuites et utilisez un isolant non combustible avec un indice non

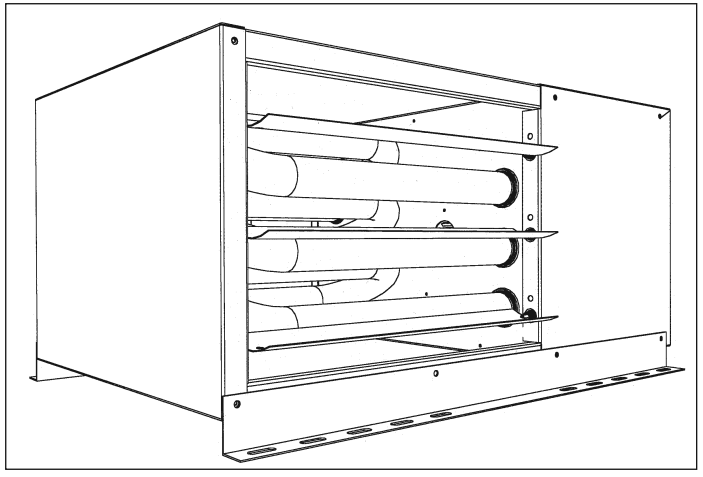
Figure 6.1 - Cheminée traversant un mur ou un toit combustible



ATTENTION

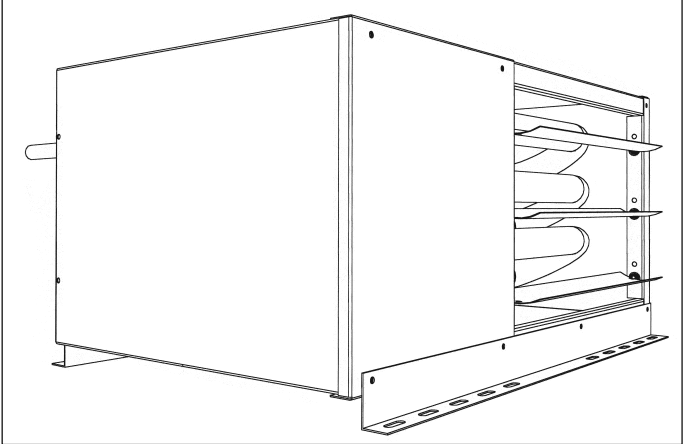
1. Dans le cas d'applications commerciales, les appareils ne doivent pas être installés à une hauteur de moins de 2,1 m (7 pi), mesurée entre le dessous et le plancher (à moins d'installer une protection appropriée des parties mobiles) et, dans le cas d'applications résidentielles, à une hauteur de moins de 1,5 m (5 pi) entre le dessous et le plancher.
2. Vérifiez qu'il n'y a pas d'obstacle devant la prise d'air et la sortie d'air chaud.
3. La distance minimum des matériaux combustibles dépend de la température de surface du matériau combustible ne dépassant pas 160 °F. Au-dessus de l'appareil, il faudra peut-être laisser un dégagement supérieur au minimum spécifié si des matériaux placés au-dessus de l'appareil à la température indiquée risquent de subir des dommages thermiques, autres que le feu.
4. Prévoyez un dégagement de 46 cm (18 po) à l'arrière (ou de 15 cm (6 po) au-delà de l'extrémité du moteur, selon la plus grande des deux valeurs) et du côté de la porte d'accès pour assurer assez d'air pour le bon fonctionnement du ventilateur.

Figure 5.1 - Appareil monté en position normale (appareils 30 à 75 seulement)



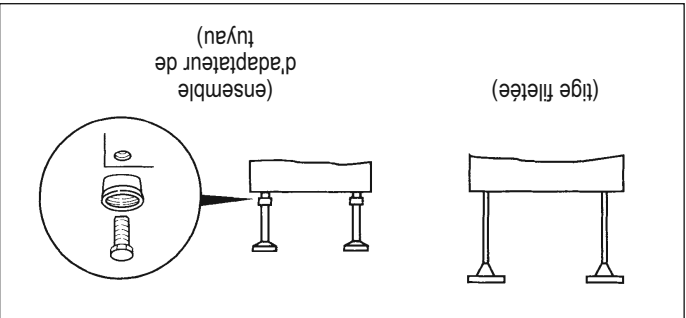
1. Assurez-vous que les pièces de suspension peuvent supporter le poids de l'appareil (voir la page 18 pour les poids).
2. Pour bien fonctionner, l'appareil doit être installé à l'horizontale.
3. Les dégagements par rapport aux surfaces combustibles, telles que spécifiées précédemment, doivent être strictement maintenues.
4. Pour les tailles de modèle 30 à 75, installez comme suit les supports d'installation avant d'amener l'appareil à sa position de montage (pour l'installation des supports accessoires sur les tailles de modèle 100 à 125, consultez la dernière version de la documentation 6-594) :
 - Pour un montage normal (commandes à gauche), retirez les trois (3) vis et la ferrure de montage du bord supérieur, à l'avant et à l'arrière de l'appareil. Remontez la ferrure avant en alignant les trous de vis de la figure 5.1. Procédez de la même façon pour la ferrure arrière.
 - Pour une installation avec les commandes à droite, retirez les trois (3) vis et la ferrure de montage du bord supérieur, à l'avant et à l'arrière de l'appareil. Installez la ferrure avant en alignant les trous de vis de la ferrure avec ceux du nouveau bord supérieur de l'appareil, comme illustré sur la figure 5.2. Procédez de la même façon pour la ferrure arrière.
- 5a. **Suspension par des vis ou des tirefonds** : Fixez les supports aux rondelles de 1/2 po. Les ferrures de montage en cornière sont percées pour des solives espacées de 40 ou 61 cm (16 ou 24 po). Pour les dimensions des ferrures de montage, voir page 18.

Figure 5.2 - Appareil tourné de 180° (modèles 30-75 seulement) (Panneau d'accès et sortie d'air réchauffé changent de côté)



- 5b. **Suspension par des tiges filetées** : Cet appareil de chauffage peut également être suspendu en utilisant les mêmes ferrures de montage et des tiges filetées. Fixez la tige filetée à la ferrure avec des écrous vissés de part et d'autre de la pièce. Pour les tailles de modèle 100-125, les appareils sont conçus pour être suspendus au moyen de tiges filetées, sans supports. Sur chaque section de tige filetée de 3/8 po utilisée, vissez un écrou sur une distance de 2,5 cm environ sur l'extrémité des tiges filetées qui seront vissées sur l'appareil de chauffage. Placez une rondelle sur l'extrémité de la tige filetée et vissez la tige filetée sur les écrous à souder de l'appareil de chauffage sur le dessus de l'appareil de chauffage en donnant 5 tours minimum, mais pas plus de 10. Serrez le premier écrou installé sur la tige filetée pour éviter la rotation de la tige.
- Percez ensuite des trous dans un profilé en U ou une cornière au même espacement que les dimensions choisies sur l'appareil à installer. Les canaux en acier ou cornières devront être attachés aux éléments de structure appropriés. Coupez les tiges filetées à la longueur désirée et enfitez-les dans les trous du profilé ou de la cornière en les fixant avec des rondelles plates et des écrous freinés.
- 5c. **Montage sur étagère** : L'appareil peut aussi être installé sur une étagère. Pour cela, montez les ferrures de fixation, comme expliqué dans la note 4, mais en bas plutôt qu'en haut de l'appareil. Les ferrures sont fixées à la console avec les mêmes vis (1/4 po et rondelles 1/2 po) que pour la suspension à des solives ou des poutrelles. Assurez-vous que toutes les distances aux surfaces combustibles sont respectées.

Figure 5.3 - Méthodes de suspension des appareils de chauffage



Les appareils ne doivent pas être installés à un endroit où ils risquent d'être exposés à une atmosphère potentiellement explosive ou inflammable.

⚠ DANGER

1. Les dégagements aux matériaux combustibles sont essentiels. Assurez-vous de respecter toutes les exigences mentionnées.

2. Les appareils de chauffage à profil bas sont conçus pour être utilisés dans des applications où la température ambiante de départ est comprise entre -40 et 90 °F et la température ambiante de fonctionnement entre 40 et 90 °F.

3. L'appareil n'est pas conçu pour être installé à l'extérieur.

4. Dans les garages ou dans certaines parties des hangars d'aviation, comme les bureaux et les ateliers qui communiquent avec des endroits réservés à l'entretien ou à l'entreposage, le bas de l'appareil doit être placé à au moins 2,1 m (7 pi) du sol, sauf si des protections adéquates sont installées pour protéger convenablement l'appareil. Dans les stationnements, l'appareil doit être installé conformément à la norme relative aux structures de stationnement ANSI/NFPA 88A (dernière édition), et dans les garages de réparation, conformément à la norme NFPA 30A (dernière édition) (ex-NFPA 88B). Au Canada, l'installation d'appareils de chauffage dans des hangars d'aviation doit être effectuée conformément aux exigences de l'autorité de réglementation et, dans les garages publics, conformément aux codes courants CSA B149.

5. Dans un hangar d'aviation, le bas de l'appareil doit être à au moins 3 m (10 pi) au-dessus de la plus haute surface des ailes ou d'un capot moteur, pour l'avion le plus haut que le hangar accueille et doit respecter les prescriptions de l'autorité de réglementation et/ou de la norme NFPA 409 – dernière édition.

6. Si l'appareil est installé dans un environnement très humide ou salin, il sera soumis à une corrosion accélérée qui réduira sa durée de vie normale.

⚠ ATTENTION

Pour éviter la panne prématurée de l'échangeur thermique, ne placez AUCUN appareil à gaz à des endroits où les vapeurs corrosives (chlorées, halogénées ou acides) sont présentes dans l'atmosphère.

IMPORTANT

Recommandations pour le choix de l'emplacement

1. Les facteurs à considérer pour le choix de l'emplacement de l'appareil de chauffage sont les distances prescrites et les besoins de chauffage, l'endroit où se trouve l'arrivée du gaz et l'entrée électrique, ainsi que la proximité des conduits d'évacuation.
2. Il est également important de tenir compte du fait que la prise d'air et l'évacuation des gaz doivent se faire à l'extérieur du local. Les extrémités des conduits d'évacuation doivent être adjacents. Les longueurs de tuyauterie d'évacuation équivalentes maximums apparaissent à « Section A – Instructions générales – tous modèles » des instructions d'évacuation des gaz.
3. Assurez-vous que la structure de support de l'appareil est assez solide pour porter le poids de l'appareil. Pour bien fonctionner, l'appareil doit être installé à l'horizontale.
4. N'installez pas l'appareil à un endroit où ses gaz brûlés pourraient être aspirés à l'intérieur d'un édifice voisin par une fenêtre, une prise d'air frais, etc. Ouvrez et réglez les persiennes pour que l'air chaud soit rabattu vers le plancher.

Tableau 4.1 - Dégagements

Dégagement recommandé pour la maintenance	Côté appareil		Raccord évacuation
	Distance minimum des matières combustibles	HDS	
HDS/HDC	HDS	1 po	4 po
	HDC	6 po	4 po
HDS/HDC	Haut et bas	1 po	18 po
	Côté porte d'accès	1 po	18 po
HDS/HDC	Côté opposé à la porte	6 po	18 po
	Arrière	18 po	18 po

Inverser l'appareil en le tournant de 180° (modèles 30-75 seulement)

- Tous les appareils sont livrés avec les commandes à gauche, lorsqu'on les regarde de l'avant. Si l'installation nécessite que les commandes soient sur le côté droit, tous les appareils de chauffage HDS/HDC, sauf les modèles 100 et 125, peuvent être retournés en suivant les instructions ci-après.
- En tournant l'appareil de 180° par rapport à sa position d'origine, les extrémités sont inversées, mais les panneaux avant et arrière conservent leurs positions relatives. Le panneau du bas devient le panneau du haut, et vice-versa.
 - Le panneau d'accès doit être démonté, retourné de 180° et remis en place de manière que ses étiquettes d'information soient lisibles.
 - Enlevez les persiennes à ressort, retournez-les et remontez-les.

PRÉCAUTIONS PARTICULIÈRES / FACTEURS DE CONVERSION SI (SYSTÈME MÉTRIQUE) / EMPLACEMENT D'INSTALLATION

AVANT DE COMMENCER

ATTENTION

1. Toute la documentation livrée avec l'appareil doit être conservée pour référence lors des opérations d'entretien et de diagnostic des pannes. Laissez le manuel au propriétaire. Ne jetez aucune documentation fournie avec cet appareil.
2. Étudiez les instructions en matière de tuyauterie, de câblage électrique et d'évacuation des gaz de ce manuel avant d'effectuer l'installation finale.
3. Ne raccordez pas les gaines, les filtres à air ou les faisceaux de tubes à un aérotherme.

Aux États-Unis, l'installation de ces appareils doit se faire conformément au code National Fuel Gas Code, ANSI Z223.1, dernière édition (NFPA 54) et aux autres codes du bâtiment locaux applicables. Au Canada, l'installation de ces appareils doit se faire conformément aux codes locaux de la plomberie et des eaux usées, et aux autres codes applicables, ainsi qu'à la version courante du code CSA B149.1.

1. Toutes les opérations d'installation et d'entretien de ces appareils doivent uniquement être confiées à une entreprise qualifiée, telle que définie dans la dernière édition de la norme ANSI Z223.1 ou, au Canada, par un installateur de gaz certifié.
2. Cet appareil est listé avec le système de commande fourni. Veuillez commander les pièces de rechange d'après la liste de pièces qui se trouve sur la plaque signalétique. Ayez toujours à portée de la main les numéros de modèle et de série. Nous nous réservons le droit de substituer d'autres commandes homologuées comme pièces de rechange.
3. L'appareil est équilibré pour un fonctionnement correct. N'altérez pas le ventilateur et ne faites pas tourner les moteurs à des régimes inférieurs à ce qui est stipulé dans ce manuel.
4. La documentation sur les organes de régulation est fournie séparément.
5. Le même brûleur convient pour le gaz naturel et pour le propane.

18. L'appareil doit pouvoir être isolé de la conduite d'alimentation en gaz par la fermeture d'un robinet d'arrêt manuel posé à l'installation. Ce robinet d'arrêt doit être à une distance d'au moins 1,8 m (6 pi) de l'appareil de chauffage.
19. Fermez l'arrivée générale de gaz avant d'installer l'appareil.
20. Vérifiez que la tension d'alimentation de l'appareil, telle qu'inscrite sur la plaque signalétique, n'est pas inférieure de 5 % à la tension nominale.
21. Mesurez la pression d'entrée du gaz en amont du régulateur de gaz combiné. La pression d'entrée de l'appareil doit être de 6 à 7 po. Si la pression d'entrée est trop élevée, installez un détendeur d'eau pour le gaz naturel ou de 11 à 14 po d'eau pour le propane.
22. L'entretien et les réparations de l'appareil doivent être confiés à un centre de SAV qualifié.
23. Ne tentez pas de réutiliser un contrôleur mécanique ou électronique d'allumage qui a été atteint par l'eau. Remplacez tout contrôleur défectueux.

ATTENTION

1. Pour éviter la panne prématurée de l'échangeur de chaleur, ne placez AUCUN appareil à gaz à des endroits où des vapeurs corrosives (chlorées, halogénées ou acides) sont présentes dans l'atmosphère.
2. Pour éviter une détérioration prématurée de l'échangeur de chaleur, l'appareil doit être installé de manière à ce que la température de l'air entrant ne dépasse pas de plus de 5 % la valeur nominale inscrite sur la plaque signalétique de l'appareil.
3. 1. Pour éviter une détérioration prématurée de l'échangeur de chaleur, observez les tubes de l'échangeur. S'ils deviennent rouges pendant que la soufflante et l'appareil de chauffage fonctionnent, assurez-vous que la soufflante a été réglée au régime correct pour l'application. Pour le réglage de la soufflante, reportez-vous à la page 15.
4. Les procédures de démarrage et de réglage doivent être confiées à un centre de SAV qualifié.

Facteurs de conversion SI (Système métrique)

Consultez l'essentiel des solutions possibles dans le guide de dépannage fourni au tableau 19.1 du manuel.

Pour convertir	Multipliez par	Pour obtenir
po C.E.	0,249	KPa
°F	(°F-32) x 5/9	°C
BTU	1,06	KJ
BTU/pt	37,3	KJ/m ³
BTU/h	0,000293	kW/h
CFH (pi ³ /h)	0,000472	m ³ /min
CFH (pi ³ /h)	0,00000787	m ³ /s
CFM (pi ³ /min)	0,0283	m ³ /min
CFM (pi ³ /min)	0,000472	m ³ /s
piéd	0,305	m
Gal/h	0,00379	m ³ /h
Gal/h	3,79	l/h
gallons	3,79	l
cheval-vapeur	746	W
pouces	25,4	mm
livre	0,454	kg
psig	6,89	KPa
psig	27,7	po C.E.

PRÉCAUTIONS PARTICULIÈRES

LES INSTRUCTIONS D'INSTALLATION ET D'ENTRETIEN DE CE MANUEL DOIVENT ÊTRE RESPECTÉES POUR ASSURER UN FONCTIONNEMENT SÉCURITAIRE, EFFICACE ET SANS PROBLÈMES. IL CONVIENT ÉGALEMENT DE RESPECTER RIGOREUSEMENT LES PRÉCAUTIONS PARTICULIÈRES CRITIQUES PEUT CAUSER DES DOMMAGES MATÉRIELS, DES BLESSURES OU LA MORT. CES INSTRUCTIONS SONT DONNÉES SOUS RÉSERVE DE DISPOSITIONS PLUS RESTRICTIVES DES CODES LOCAL OU NATIONAL.

hiérarchie des niveaux de risques

1. **DANGER** : Indique un danger imminent qui, s'il n'est pas évité, entraînera INÉVITABLEMENT des blessures graves, voire mortelles.
2. **AVERTISSEMENT** : Indique un danger potentiel qui, s'il n'est pas évité, POURRAIT engendrer des blessures graves, voire mortelles.
3. **ATTENTION** : Indique un danger potentiel qui, s'il n'est pas évité, PEUT engendrer des blessures mineures ou modérées.
4. **IMPORTANT** : Indique une situation qui, si elle n'est pas évitée, PEUT poser un problème de sécurité.

! DANGER

Les appareils ne doivent pas être installés à un endroit où ils risquent d'être exposés à une atmosphère potentiellement explosive ou inflammable.

1. Un système d'évacuation est obligatoire pour les appareils de chauffage au gaz – ne les faites jamais fonctionner sans évacuation des gaz.
2. Un extracteur intégré assure la circulation des gaz – il est inutile ou interdit d'installer un dispositif d'extraction externe supplémentaire.
3. Si un appareil de chauffage existant est remplacé, vous devrez peut-être redimensionner les systèmes d'évacuation des gaz. Un système de ventilation de diamètre insuffisant peut causer des retournements de gaz brûlés ou la formation de condensat. Reportez-vous au National Fuel Gas Code ANSI Z223.1 (NFPA 54) ou à la dernière édition de la norme CSA B149.1. Le non-respect de ces instructions peut avoir des conséquences graves ou mortelles.
4. Il est interdit d'accoupler deux longueurs de tuyau à double paroi dans une même installation d'évacuation horizontale à cause de l'impossibilité de vérifier l'étanchéité des raccords du tuyau intérieur.
5. Toutes les tuyauteries de gaz extérieures doivent être soumises à des essais de pression et d'étanchéité avant la mise en marche. Ne recherchez jamais les fuites avec une flamme nue. Utilisez plutôt de l'eau savonneuse ou un produit équivalent.
6. La pression de gaz au régulateur de l'appareil ne doit jamais dépasser 14 po C.E. (1/2 psi).
7. Pour réduire les risques de condensation, le pouvoir calorifique minimum du gaz (au niveau de la mer) ne doit pas être inférieur de plus de 5 % à la valeur minimale nominale figurant sur la plaque signalétique de l'appareil ou de 5 % à la valeur la plus basse des appareils à double alimentation.
8. Débranchez l'alimentation électrique avant de faire les connexions pour éviter les chocs électriques et les dommages à l'équipement.
9. Tous les branchements et câblages doivent être faits en stricte conformité avec le schéma fourni avec l'appareil. Tout câblage différent de celui du schéma peut créer des risques de dommages matériels ou de blessures.
10. Tout câblage usine d'origine exigeant un remplacement doit être remplacé par un câble d'indice thermique nominal de 105 °C.
11. Vérifiez que la tension d'alimentation n'est pas supérieure de 5 % à la tension nominale inscrite sur la plaque de l'appareil.
12. Pour l'entretien et les réparations de cet appareil, n'utilisez que des pièces d'origine certifiées. Pour la liste complète des pièces de recherche, adressez-vous au fabricant. Le numéro de modèle complet, le numéro de série et l'adresse du fabricant figurent sur la plaque signalétique fixée à l'appareil. Toute substitution de pièce ou de commande non approuvée par le fabricant sera aux risques du propriétaire.

! ATTENTION

1. Toute la documentation livrée avec l'appareil doit être conservée pour référence lors des opérations d'entretien et de diagnostic des pannes. Ne jetez aucune documentation fournie avec cet appareil.
2. Étudiez les instructions en matière de tuyauterie, de câblage électrique et d'évacuation des gaz de ce manuel avant d'effectuer l'installation finale.
3. Ne raccordez pas les gaines, les filtres à air ou les faisceaux de tubes à un aérotherme.
4. Les dégagements par rapport aux matériaux combustibles adjacents sont essentiels. Assurez-vous de respecter toutes les exigences mentionnées.
5. Les appareils de chauffage à profil bas sont conçus pour être utilisés dans des applications où la température ambiante de départ est comprise entre -40 et 90 °F et la température ambiante de fonctionnement entre 40 et 90 °F.
6. L'appareil n'est pas conçu pour être installé à l'extérieur.
7. Dans les garages ou dans d'autres sections des hangars d'aéronautiques, comme les bureaux et les ateliers qui communiquent avec des endroits réservés à l'entretien ou à l'entreposage, le bas de l'appareil doit être placé à au moins 2,13 m (7 pi) du sol, sauf si vous installez aussi des protections adéquates pour éviter les contacts avec des pièces mobiles. Dans les stationsnements, l'appareil doit être installé conformément à la norme relative aux structures de stationnement ANSI/NFPA 88A (dernière édition), et dans les garages de réparation, conformément à la norme NFPA 30A (dernière édition) (ex-NFPA 88B). Au Canada, l'installation d'appareils de chauffage dans des hangars d'aviation doit être effectuée conformément aux exigences de l'autorité de réglementation et, dans les garages publics, conformément aux codes courants CSA B149.
8. Dans un hangar d'aviation, le bas de l'appareil doit être à au moins 3 m (10 pi) au-dessus de la plus haute surface des ailes ou d'un capot moteur, pour l'avion le plus haut que le hangar est destiné à accueillir et doit respecter les prescriptions de l'autorité de réglementation et/ou de la norme NFPA 409, dernière édition.
9. Si l'appareil est installé dans un environnement très humide ou salin, il sera soumis à une corrosion accélérée qui réduira sa durée de vie normale.
10. Dans le cas d'applications commerciales, les appareils ne doivent pas être installés à une hauteur de moins de 2,1 m (7 pi), mesurée entre le dessous et le plancher (à moins d'installer une protection appropriée des parties mobiles) et, dans le cas d'applications résidentielles, à une hauteur de moins de 1,5 m (5 pi) entre le dessous et le plancher.
11. Vérifiez qu'il n'y a pas d'obstacle devant la prise d'air et la sortie d'air chaud.
12. La distance minimum des matériaux combustibles dépend de la température de surface du matériau combustible ne dépassant pas 160 °F. Au-dessus de l'appareil, il faudra peut-être laisser un dégagement supérieur au minimum spécifié si des matériaux placés au-dessus de l'appareil à la température indiquée risquent de subir des dommages thermiques, autres que le feu.
13. Prévoyez un dégagement de 46 cm (18 po) à l'arrière ou de 14 cm (6 po) au-delà de l'extrémité du moteur, selon la plus grande des deux valeurs, et du côté de la porte d'accès pour assurer assez d'air pour le bon fonctionnement du ventilateur.
14. L'installation doit se faire conformément aux codes locaux de la construction ou, à défaut de tels codes, conformément au National Fuel Gas Code, ANSI Z223.1 (NFPA 54) – dernière édition. Au Canada, l'installation doit se faire conformément à la norme CSA B149.1.
15. La boîte adaptatrice concentrique doit être installée à l'intérieur de la structure ou du bâtiment. Elle n'est pas prévue pour être installée à l'extérieur.
16. La purge de l'air de la tuyauterie d'arrivée de gaz doit se faire selon la procédure ANSI Z223.1 (NFPA 54) – dernière édition ou aux codes CSA B149 pour le Canada.
17. Pour l'essai d'étanchéité des tuyauteries d'alimentation en gaz, l'appareil et son régulateur de gaz combiné doivent être isolés pour tout essai fait à une pression dépassant 14 po C.E. ou (1/2 psi).

MANUEL D'INSTALLATION ET DE MAINTENANCE appareils de chauffage alimentés au gaz à combustion séparée modèles HDS et HDC



Tous les modèles approuvés pour une utilisation en Californie par le CEC et au Massachusetts. L'appareil de chauffage est certifié pour des applications résidentielles et commerciales. Ces aérothermes sont certifiés comme appareils de chauffage utilitaire et sont destinés au chauffage d'espaces non vivants reliés, adjacents ou faisant partie d'une structure contenant des espaces pour les logements de la famille. Ils ne sont pas destinés à être la principale source de chaleur dans les applications résidentielles.

IMPORTANT

Ce manuel est spécifiquement destiné au personnel d'une entreprise d'installation et d'entretien qualifiée. Toutes les opérations d'installation et d'entretien doivent être confiées à une entreprise qualifiée.

Inspection à la réception

1. Inspectez l'appareil à la livraison. Signalez immédiatement tout dommage au transporteur et avisez le représentant commercial local de votre région.
2. Vérifiez la plaque signalétique pour déterminer si les caractéristiques de l'appareil correspondent au secteur électrique disponible au point d'installation.
3. Inspectez l'appareil à la réception pour vous assurer qu'il est conforme à la description du produit commandé (y compris aux spécifications, s'il y a lieu).

Table des matières

1	Inspection à l'arrivée.
2	Précautions spéciales.
3	Facteurs de conversion métrique (SI)
3	Avant de commencer.
3	Emplacement d'installation.
4	Matières combustibles et dégagements.
4	Montage de l'appareil.
5	Ventilation.
6	Raccordements au gaz.
12	Ensemble d'accessoires pour haute altitude.
13-14	Électricité.
15-16	Mode d'emploi.
17	Éléments constitutifs.
18	Dimensions.
19	Maintenance/Dépannage.
20	Schéma de câblage de l'appareil.
21	Numéro de série/modèle et pièces de rechange.
22	Couverture arrière.

CE MANUEL DOIT ÊTRE REMIS AU PROPRIÉTAIRE DE L'INSTALLATION.
N'OUBLIEZ PAS DE LE LAISSER AU PROPRIÉTAIRE EN QUITTANT LE CHANTIER.

AVERTISSEMENT

1. Une installation, des réglages, des modifications ou un entretien inappropriés peuvent causer des dommages matériels, des blessures ou la mort, ainsi que l'exposition à des substances reconnues par divers organismes officiels comme causant des cancers, des malformations congénitales ou des anomalies du système reproductif. Lisez attentivement les instructions d'installation, d'utilisation et d'entretien avant d'installer ou d'entretenir cet appareil.
2. N'installez AUCUN appareil fonctionnant au gaz dans des lieux où l'atmosphère contient des vapeurs chlorées, halogénées ou acides. Ces substances peuvent causer une défaillance prématurée de l'échangeur de chaleur, en raison de la corrosion, laquelle peut provoquer des dommages matériels, des blessures graves ou même la mort.



POUR VOTRE SÉCURITÉ

SI VOUS SENTEZ UNE ODEUR DE GAZ :

1. Ouvrez les fenêtres.
2. Ne tentez d'allumer aucun autre appareil.
3. Ne touchez pas aux interrupteurs électriques et n'utilisez aucun téléphone dans votre édifice.
4. Appelez immédiatement votre compagnie de gaz depuis le téléphone d'un voisin. Suivez les instructions de la compagnie de gaz. Si vous ne pouvez pas contacter votre compagnie de gaz, appelez les pompiers.

POUR VOTRE SÉCURITÉ

L'utilisation et le stockage d'essence ou d'autres vapeurs et liquides inflammables dans des récipients ouverts à proximité de cet appareil sont dangereux.