

Ductfree Mini-Split Systems
18,000 - 48,000 BTUH



U-Match

Replacement Parts Catalog

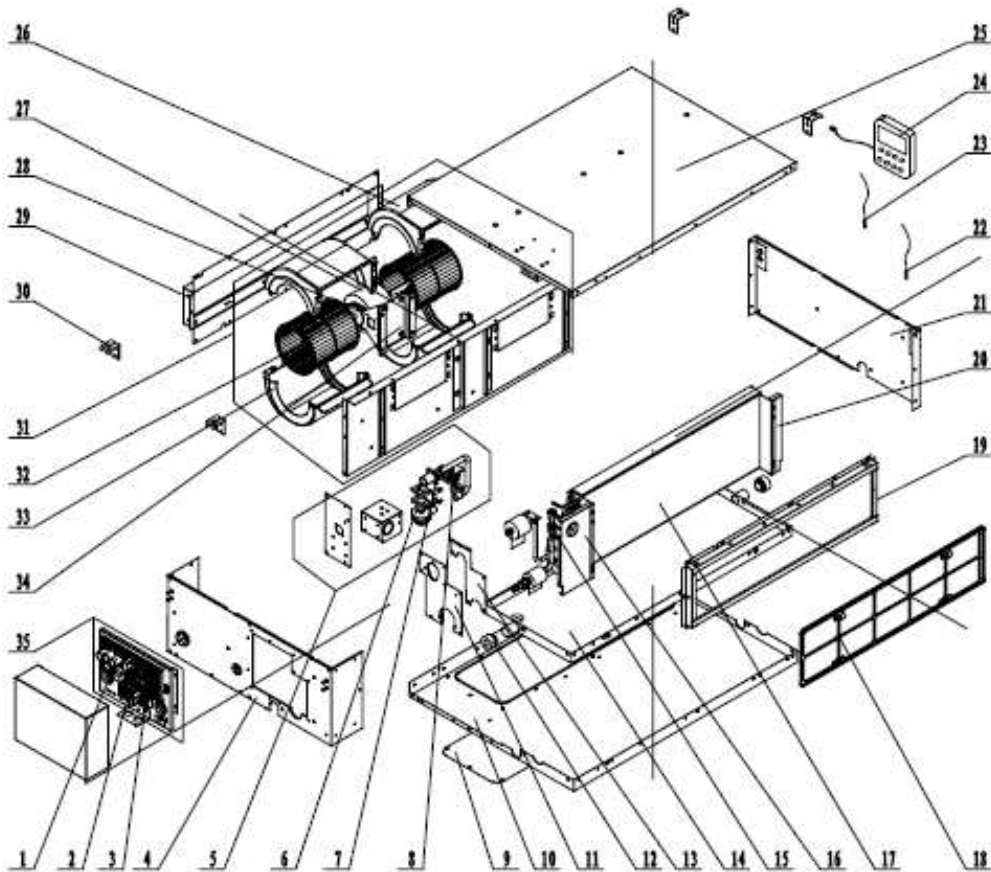
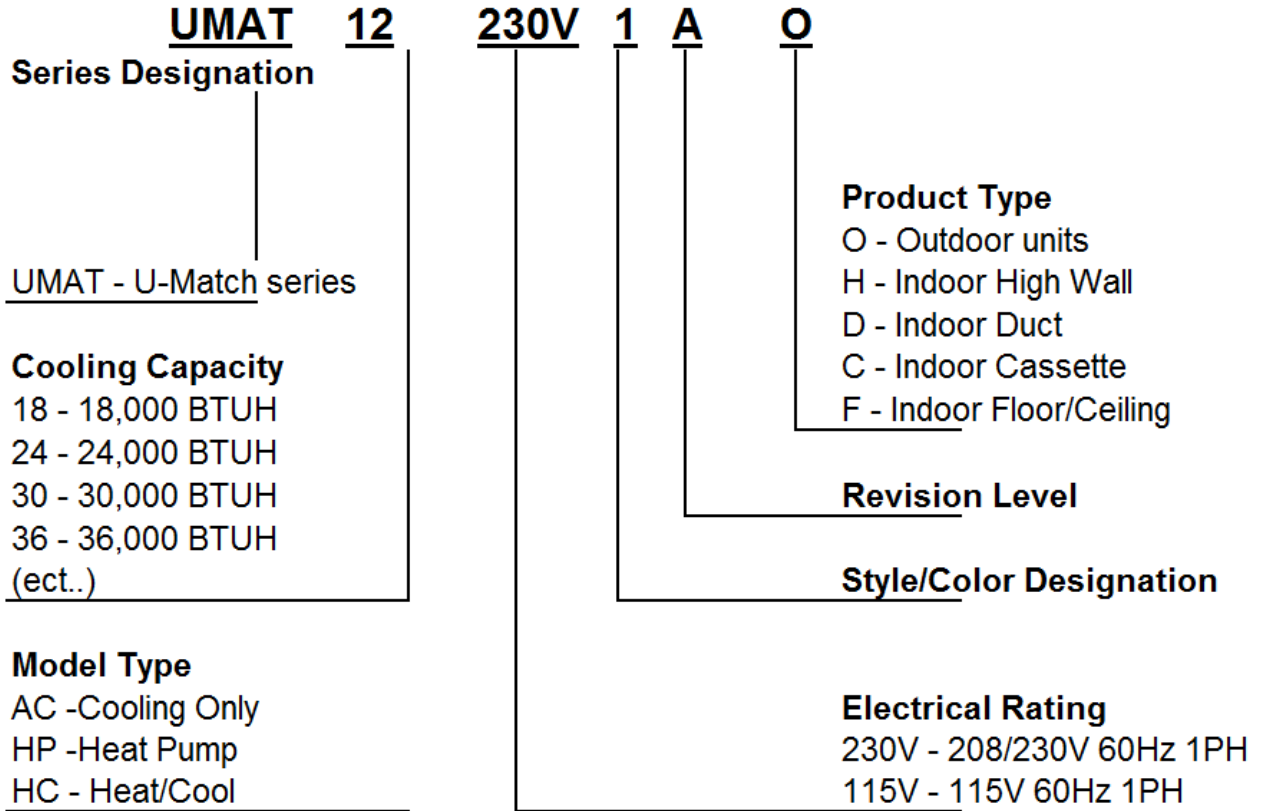


Table of Contents

Model Number	Description	Page
Nomenclature	Part Number Nomenclature Chart	2
UMAT18HP230V1AO	18,000 BTUH 208/230v Heat Pump Outdoor Unit	4
UMAT24HP230V1AO	24,000 BTUH 208/230v Heat Pump Outdoor Unit	7
UMAT30HP230V1AO	30,000 BTUH 208/230v Heat Pump Outdoor Unit	10
UMAT36HP230V1AO	36,000 BTUH 208/230v Heat Pump Outdoor Unit	13
UMAT42HP230V1AO	42,000 BTUH 208/230v Heat Pump Outdoor Unit	16
UMAT48HP230V1AO	48,000 BTUH 208/230v Heat Pump Outdoor Unit	19
UMAT18HP230V1AC	18,000 BTUH 208/230v Heat Pump Cassette Unit	22
UMAT24HP230V1AC	24,000 BTUH 208/230v Heat Pump Cassette Unit	25
UMAT30HP230V1AC	30,000 BTUH 208/230v Heat Pump Cassette Unit	28
UMAT36HP230V1AC	36,000 BTUH 208/230v Heat Pump Cassette Unit	31
UMAT42HP230V1AC	42,000 BTUH 208/230v Heat Pump Cassette Unit	34
UMAT48HP230V1AC	48,000 BTUH 208/230v Heat Pump Cassette Unit	37
UMAT18HP230V1AF	18,000 BTUH 208/230v Heat Pump Floor/Ceiling Unit	40
UMAT24HP230V1AF	24,000 BTUH 208/230v Heat Pump Floor/Ceiling Unit	43
UMAT30HP230V1AF	30,000 BTUH 208/230v Heat Pump Floor/Ceiling Unit	46
UMAT36HP230V1AF	36,000 BTUH 208/230v Heat Pump Floor/Ceiling Unit	49
UMAT42HP230V1AF	42,000 BTUH 208/230v Heat Pump Floor/Ceiling Unit	52
UMAT48HP230V1AF	48,000 BTUH 208/230v Heat Pump Floor/Ceiling Unit	55
UMAT18HP230V1AD	18,000 BTUH 208/230v Heat Pump Duct Unit	58
UMAT24HP230V1AD	24,000 BTUH 208/230v Heat Pump Duct Unit	60
UMAT30HP230V1AD	30,000 BTUH 208/230v Heat Pump Duct Unit	62
UMAT36HP230V1AD	36,000 BTUH 208/230v Heat Pump Duct Unit	64
UMAT42HP230V1AD	42,000 BTUH 208/230v Heat Pump Duct Unit	66
UMAT48HP230V1AD	48,000 BTUH 208/230v Heat Pump Duct Unit	68

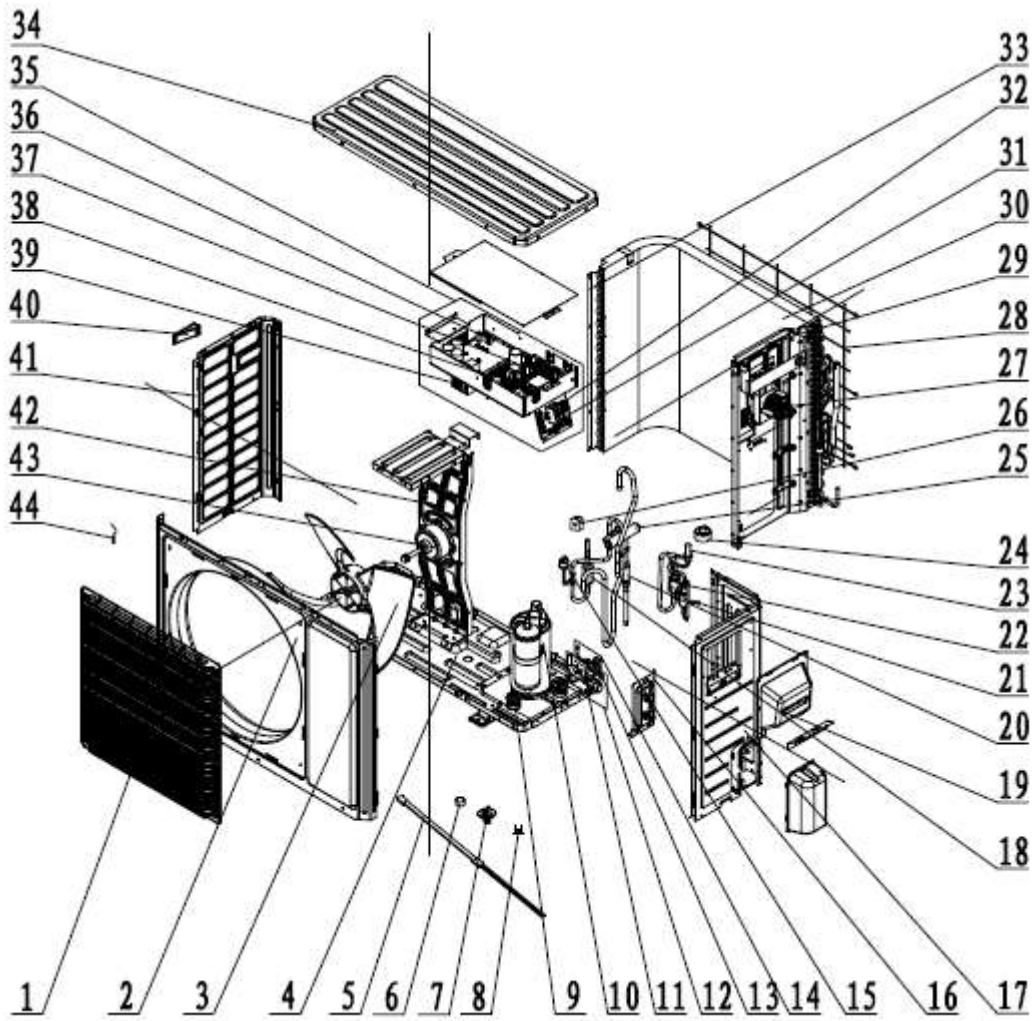
Product Catalog Number-Nomenclature

Example: UMAT18HP230V1AO



UMAT18HP230V1AO

18,000 BTUH 230v Outdoor Unit



UMAT18HP230V1AO

18,000 BTUH 230v Outdoor Unit

NO.	Part Code	Part Description	Qty
1	01473049	Front Grille	1
2	01535013P	Front Panel	1
3	10335008	Axial Flow Fan	1
4	01195200028P	Chassis Sub-Assy	1
5	7651300403	Compressor Crankcase Heater	1
6	06813401	Drain Plug	3
7	06123401	Drain Connector	1
8	00180030	Compressor Overload Protector(External)	1
Not Shown	00183032	Compressor Overload Protector(External)	1
Not Shown	00183051	Compressor Overload Protector(External)	1
9	76710247	Compressor Grommet	3
10	00105249G	Compressor and Fittings	1
11	071302392	1/2-in Gas/Suction Valve	1
12	07133060	Cut off Valve Sub-Assy	1
13	07130239	1/4-in Liquid Line Valve	1
14	07335200016	Cut off Valve Sub-Assy	1
15	46020003	High Pressure Protect Switch	1
16	01715010P	Valve Support Assy	1
17	0130509403P	Right Side Plate	1
18	07245007	Silencer	1
19	02113032P	Handle Assy	1
20	07212403	Strainer	1
21	07220019	Strainer	1
22	0721004501	Strainer	1
23	43045200006	Electronic Expansion Valve Sub-Assy	1
Not Shown	07134601	Electronic Expansion Valve	1
24	4300876704	Electronic Expansion Valve Solenoid Coil	1
25	04045200036	4-Way Valve Assy	1
Not Shown	430004032	4-Way Valve	1
26	4300040045	4-Way Valve Solenoid Coil	1
27	4312002001	Reactor/PFC Inductance	1
28	01473043	Rear Grille	1
29	01232902	Clapboard Sub-Assy	1
30	01125200189	Condenser Coil Assy	1

** Temperature Sensor Assembly contains Discharge, Coil, & Ambient sensors.

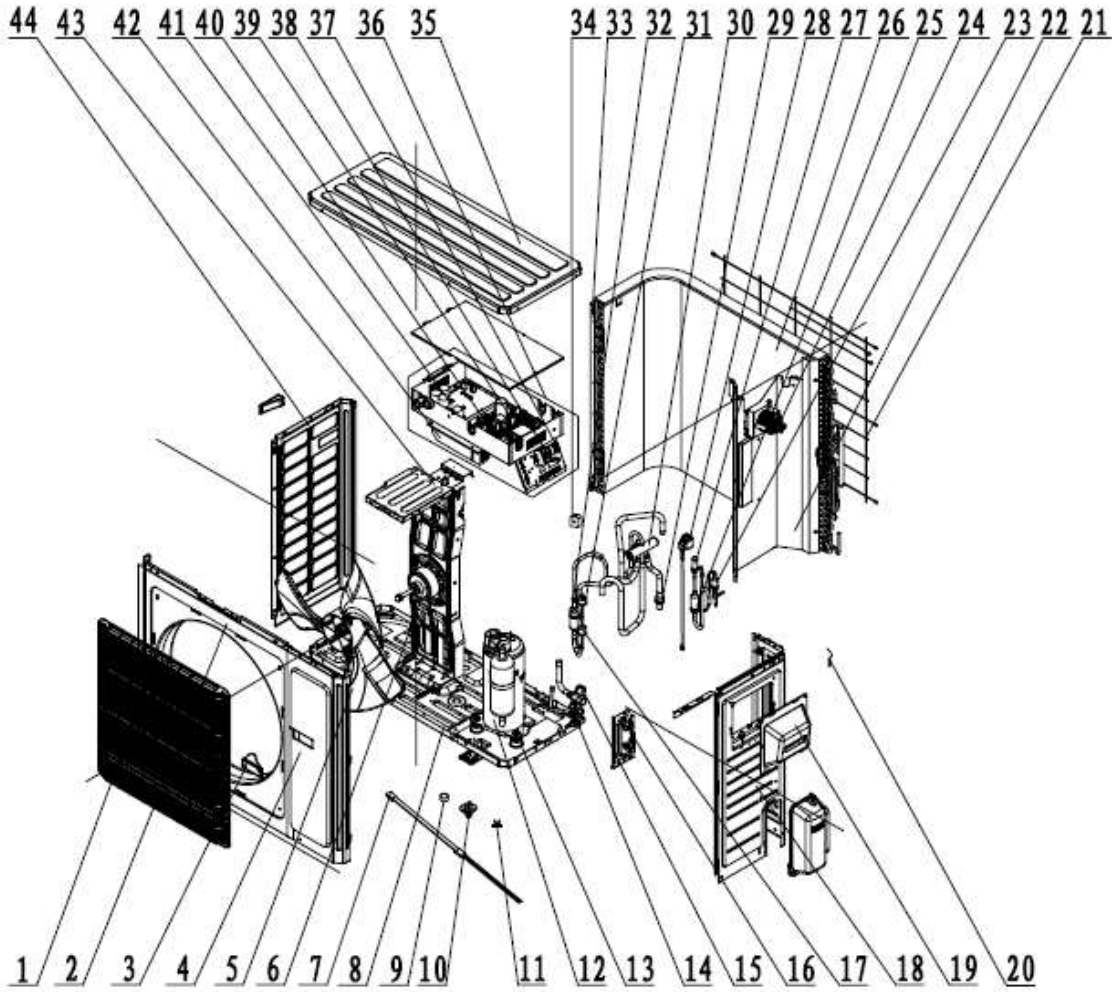
UMAT18HP230V1AO (Cont.) 18,000 BTUH 230v Outdoor Unit

NO.	Part Code	Part Description	Qty
31	420111451	Terminal Board	1
32	420101852	Terminal Board	1
33	01795010	Supporting Board(Condenser)	1
34	01255005P	Top Panel Assy	1
35	01395200486	Electric Box Assy	1
Not Shown	30221000027	Main Control Board 2	1
36	30224000024	Main Control Board 1 w/7-segment LED Display	1
37	30221000009	Driver Board	1
38	30221000008	Filter Board	1
39	49018000044	Heat Sink/Radiator	1
40	NA	Left Handle	1
41	01305093P	Left Side Plate	1
42	01805200173	Motor Support Assy	1
43	1570280204	Fan Motor	1
44	3900028020G	Temperature Sensor Assembly**	1

** Temperature Sensor Assembly contains Discharge, Coil, & Ambient sensors.

UMAT24HP230V1AO

24,000 BTUH 230v Outdoor Unit



UMAT24HP230V1AO

24,000 BTUH 230v Outdoor Unit

NO.	Part Code	Part Description	Qty
1	01473050	Front Grille	1
2	01435004P	Cabinet	1
3	26235401	Left Handle	1
4	01305086P	Front Side Plate	1
5	10335014	Axial Flow Fan	1
6	15702802	Fan Motor	1
7	7651873209	Compressor Crankcase Heater	1
8	0119520001301P	Chassis Sub-Assy	1
9	06813401	Drain Plug	3
10	06123401	Drainage Connector	1
11	00180030	Compressor Overload Protector(External)	1
Not Shown	00183032	Compressor Overload Protector(External)	1
Not Shown	00183051	Compressor Overload Protector(External)	1
12	0010505701	Compressor and Fittings	1
13	76713066	Compressor Grommet	3
14	071302391	3/8-in Liquid Line Valve	1
15	07133157	5/8-in Gas/Suction Valve	1
16	0171501201P	Valve Support Sub-Assy	1
17	4602000902	High Pressure Protect Switch	1
Not Shown	4602001539	Low Pressure Protect Switch	1
18	01315200069P	Right Side Plate Sub-Assy	1
19	02113032P	Handle Assy	1
20	3900028020G	Temperature Sensor Assembly**	1
21	01475013	Rear Grille	1
22	01245200010	Clapboard Sub-Assy	1
23	07225088	Strainer	1
24	43128003	Reactor/PFC Inductance	1
25	07220016	Bidirectional Strainer	1
26	01125200184	Condenser Coil Assy	1
27	43045200004	Electronic Expansion Valve Sub-Assy	1
Not Shown	07334447	Electronic Expansion Valve	1
28	4304413208	Electronic Expansion Valve Solenoid Coil	1
29	07215201	Strainer	1
30	04045200079	4-way Valve Assy	1
Not Shown	4300008201	4-Way Valve	1

** Temperature Sensor Assembly contains Discharge, Coil, & Ambient sensors.

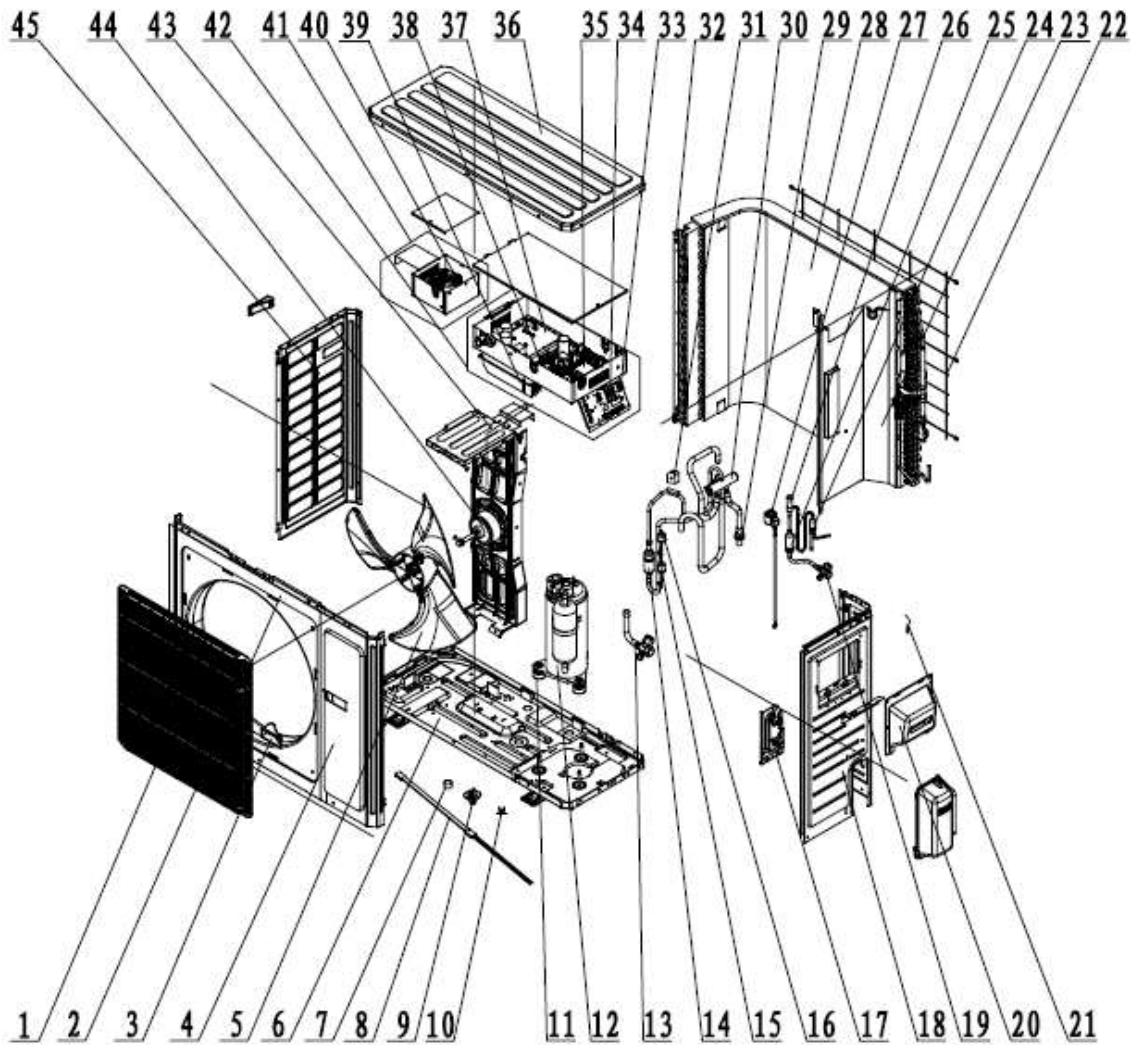
UMAT24HP230V1AO (Cont.) 24,000 BTUH 230v Outdoor Unit

NO.	Part Code	Part Description	Qty
31	46020003	High Pressure Protect Switch	1
32	07245012	Silencer	1
33	01175092	Condenser Support Plate	1
34	4300040045	4-Way Valve Solenoid Coil	1
35	01255007	Top Cover Sub-Assy	1
36	01395200487	Electric Box Assy	1
37	420111451	Terminal Board	1
38	420101852	Terminal Board	1
39	30224000026	Main Control Board 1 w/7-segment LED Display	1
Not Shown	30224000027	Main Control Board 2	1
40	30221000007	Filter Board	1
41	30221000010	Driver Board	1
42	49018000042	Heat Sink/Radiator	1
43	01805200166	Motor Support Assy	1
44	01305043P	Left Side Plate	1

** Temperature Sensor Assembly contains Discharge, Coil, & Ambient sensors.

UMAT30HP230V1AO

30,000 BTUH 230v Outdoor Unit



UMAT30HP230V1AO

30,000 BTUH 230v Outdoor Unit

NO.	Part Code	Part Description	Qty
1	01473050	Front Grille	1
2	01435004P	Cabinet	1
3	26235401	Left Handle	1
4	01305086P	Front Side Plate	1
5	10335014	Axial Flow Fan	1
6	01195200013P	Chassis Sub-Assy	1
7	06813401	Drain Plug	3
8	7651873209	Compressor Crankcase Heater	1
9	06123401	Drain Connector	1
10	00180030	Compressor Overload Protector(External)	1
Not Shown	00183032	Compressor Overload Protector(External)	1
Not Shown	00183051	Compressor Overload Protector(External)	1
11	76713066	Compressor Grommet	3
12	0010505701	Compressor and Fittings	1
13	07133157	5/8-in Gas/Suction Valve	1
14	07245012	Silencer	1
15	4602000902	High Pressure Protect Switch	1
16	46020003	High Pressure Protect Switch	1
17	0171501201P	Valve Support Sub-Assy	1
18	01315200069P	Right Side Plate Sub-Assy	1
19	071302391	3/8-in Liquid Line Valve	1
20	02113032P	Handle Assy	1
21	3900028020G	Temperature Sensor Assembly**	1
22	01475013	Rear Grille	1
23	01245200006	Clapboard Sub-Assy	1
24	07225088	Strainer	1
25	07220016	Bidirectional Strainer	1
26	43045200004	Electronic Expansion Valve Sub-Assy	1
Not Shown	07334447	Electronic Expansion Valve	1
27	4304413208	Electronic Expansion Valve Solenoid Coil	1
28	01125200182	Condenser Coil Assy	1
29	07215201	Strainer	1

** Temperature Sensor Assembly contains Discharge, Coil, & Ambient sensors.

UMAT30HP230V1AO (Cont.)

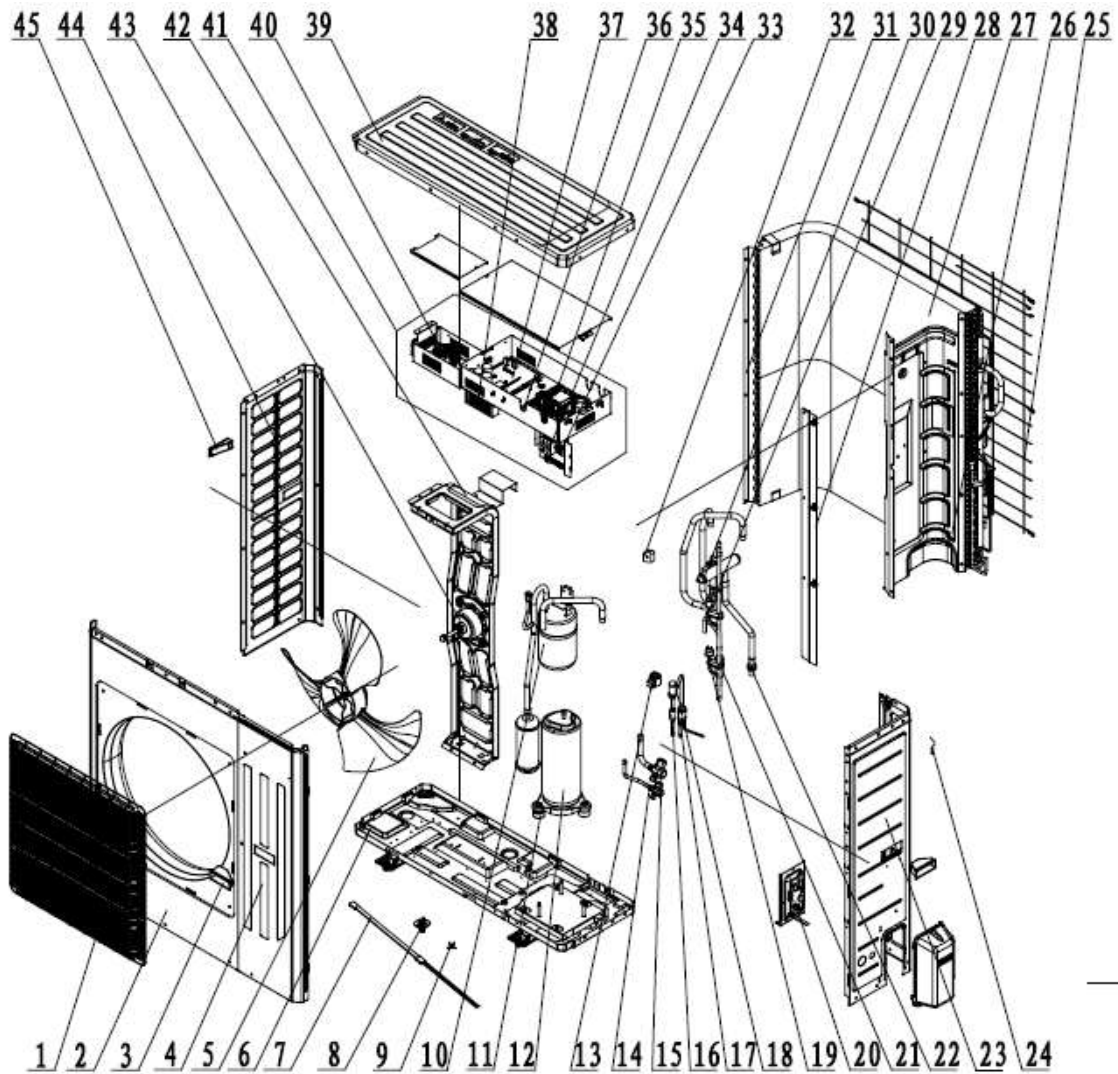
30,000 BTUH 230v Outdoor Unit

NO.	Part Code	Part Description	Qty
30	04045200034	4-Way Valve Assy	1
Not Shown	4300008201	4-Way Valve	1
31	4300040045	4-Way Valve Solenoid Coil	1
32	01175092	Condenser Support Plate	1
33	420101852	Terminal Board	1
34	420111451	Terminal Board	1
35	30224000038	Main Control Board 1 w/7-segment LED Display	1
Not Shown	30224000027	Main Control Board 2	1
36	01255007	Top Cover Sub-Assy	1
37	30221000010	Driver Board	1
38	30221000007	Filter Board	1
39	49018000042	Heat Sink/Radiator	1
40	43128003	Reactor/PFC Inductance	1
41	01395200176	Inductance Box Sub-Assy	1
42	01395200488	Electric Box Assy	1
43	01805200160	Motor Support Assy	1
44	15702802	Fan Motor	1
45	01305043P	Left Side Plate	1

** Temperature Sensor Assembly contains Discharge, Coil, & Ambient sensors.

UMAT36HP230V1AO

36,000 BTUH 230v Outdoor Unit



UMAT36HP230V1AO

36,000 BTUH 230v Outdoor Unit

NO.	Part Code	Part Description	Qty
1	01574106	Front Grille	1
2	01435007P	Cabinet	1
3	26235253	Handle	1
4	01305065P	Front Side Plate	1
5	10335010	Axial Flow Fan	1
6	01195244P	Chassis Sub-Assy	1
7	7651873209	Compressor Crankcase Heater	1
8	26113009	Drainage Joint	1
Not Shown	06813401	Drain Plug	3
Not Shown	06123401	Drain Connector	1
9	00180030	Compressor Overload Protector(External)	1
Not Shown	00183032	Compressor Overload Protector(External)	1
Not Shown	00183051	Compressor Overload Protector(External)	1
10	07255201	Gas-liquid Separator Sub-Assy	1
11	76713066	Compressor Grommet	3
12	00205200003	Compressor	1
13	4300010839	Electronic Expansion Valve Solenoid Coil	1
14	071302391	3/8-in Liquid Line Valve	1
15	07133157	5/8-in Gas/Suction Valve	1
16	07213032	Strainer	1
17	07210045	Strainer	1
18	43045200007	Electric Expansion Valve Sub-Assy	1
Not Shown	07334194	Electronic Expansion Valve	1
19	46020003	High Pressure Protect Switch	1
20	01805200222P	Valve Support Sub-Assy	1
21	07245012	Silencer	1
22	07215201	Strainer	1
23	0131520006801P	Right Side Plate Sub-Assy	1
24	39008000049G	Temperature Sensor Assembly**	1
25	01475012	Rear Grille	1
26	0124525303	Clapboard Sub-Assy	1
27	01125200196	Condenser Coil Assy	1
28	01355200016P	Baffle Plate Sub-Assy	1
29	4602000902	High Pressure Protect Switch	1
30	04045200038	4-Way Valve Assy	1
Not Shown	43000338	4-Way Valve	1

** Temperature Sensor Assembly contains Discharge, Coil, & Ambient sensors.

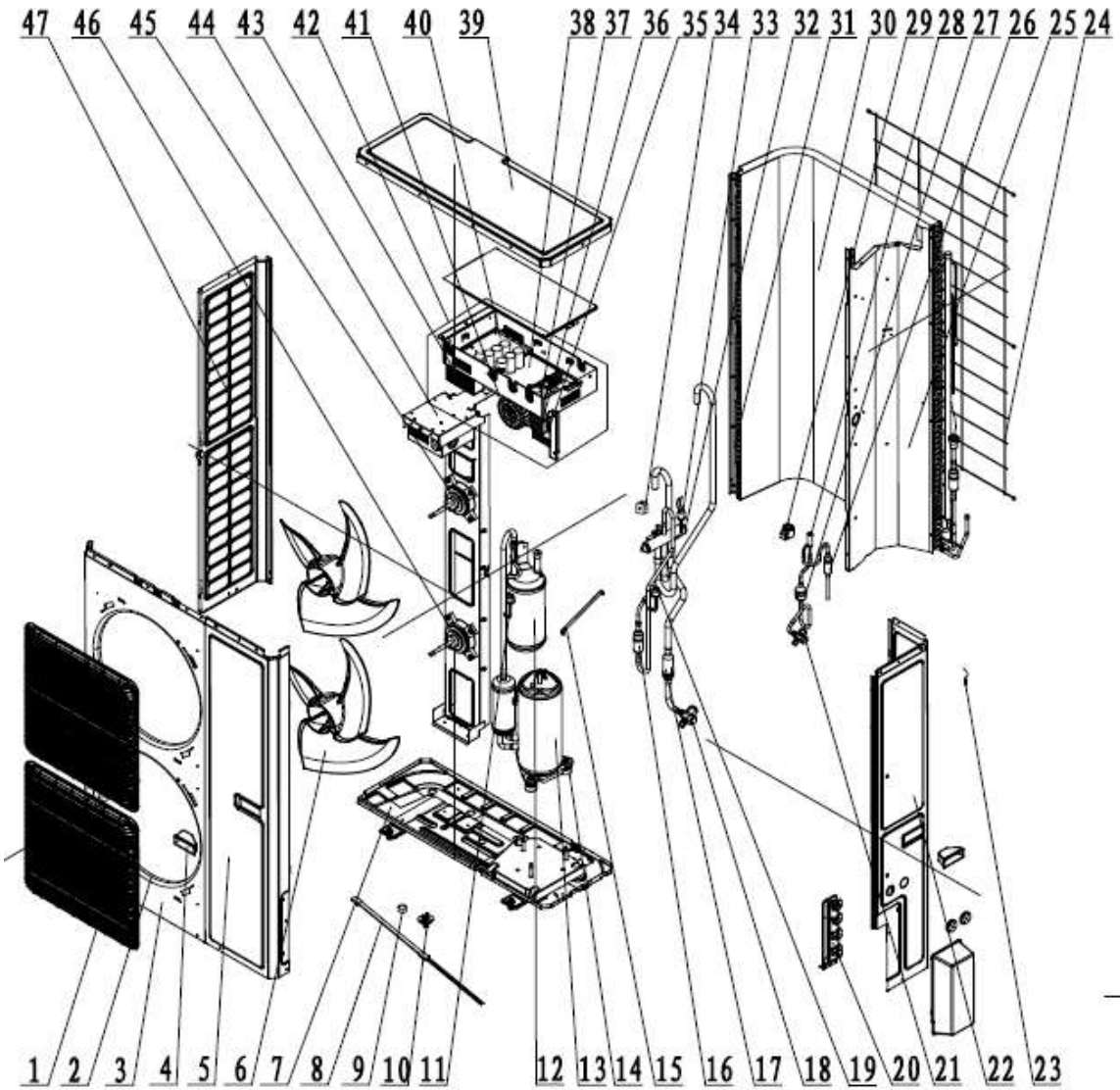
UMAT36HP230V1AO (Cont.) 36,000 BTUH 230v Outdoor Unit

NO.	Part Code	Part Description	Qty
31	01895242	Condenser Support Plate	1
32	4300040045	4-Way Valve Solenoid Coil	1
33	420101852	Terminal Board	1
34	42011242	Terminal Board	1
35	30224000037	Main Control Board 1 w/7-segment LED Display	1
36	30221000007	Filter Board	1
37	30221000003	Driver Board	1
Not Shown	30224000027	Main Control Board 2	1
38	49018000047	Heat Sink/Radiator	1
39	0125500901P	Top Cover	1
40	43120011	Reactor/PFC Inductance	1
41	01395200489	Electric Box Assy	1
42	01805200190	Motor Support Sub-Assy	1
43	1570280201	Fan Motor	1
44	01305064P	Left Side Plate	1
45	26235401	Left Handle	1

** Temperature Sensor Assembly contains Discharge, Coil, & Ambient sensors.

UMAT42HP230V1AO

42,000 BTUH 230v Outdoor Unit



UMAT42HP230V1AO 42,000 BTUH 230v Outdoor Unit

NO.	Part Code	Part Description	Qty
1	01574100009	Front Grille	2
2	10474100001	Diversion Circle	2
3	01514100006	Cabinet Assy	1
4	26235253	Handle	1
5	01314100021P	Front Side Plate	1
6	10434100003	Axial Flow Fan	2
7	01195200020P	Chassis Sub-Assy	1
8	7651873224	Compressor Crankcase Heater	1
9	06813401	Drain Plug	3
10	06123401	Drain Connector	1
11	none	Pressure Protect Switch	0
12	07255201	Gas-liquid Separator Sub-Assy	1
13	00205200003	Compressor	1
Not Shown	00180030	Compressor Overload Protector(External)	1
Not Shown	00183032	Compressor Overload Protector(External)	1
Not Shown	00183051	Compressor Overload Protector(External)	1
14	76713066	Compressor Grommet	3
15	02145008	Wire Clamp	1
16	07245012	Silencer	1
17	07411100014	Strainer	1
18	07133844	5/8-in Gas/Suction Valve	1
19	46020003	High Pressure Protect Switch	1
20	01805200204P	Valve Support Sub-Assy	1
21	07130209	3/8-in Liquid Line Valve	1
22	01315200088P	Rear Side Plate Sub-Assy	1
23	3900028025G	Temperature Sensor Assembly**	1
24	01574100004	Rear Grille	1
25	01245200007	Clapboard	1
26	07220016	Bidirectional Strainer	1
27	07415210	Filter	1
28	43045200012	Electronic Expansion Valve Assy	1
Not Shown	07334194	Electronic Expansion Valve	1
29	4300010839	Electronic Expansion Valve Solenoid Coil	1
30	01125200197	Condenser Coil Assy	1

** Temperature Sensor Assembly contains Discharge, Coil, & Ambient sensors.

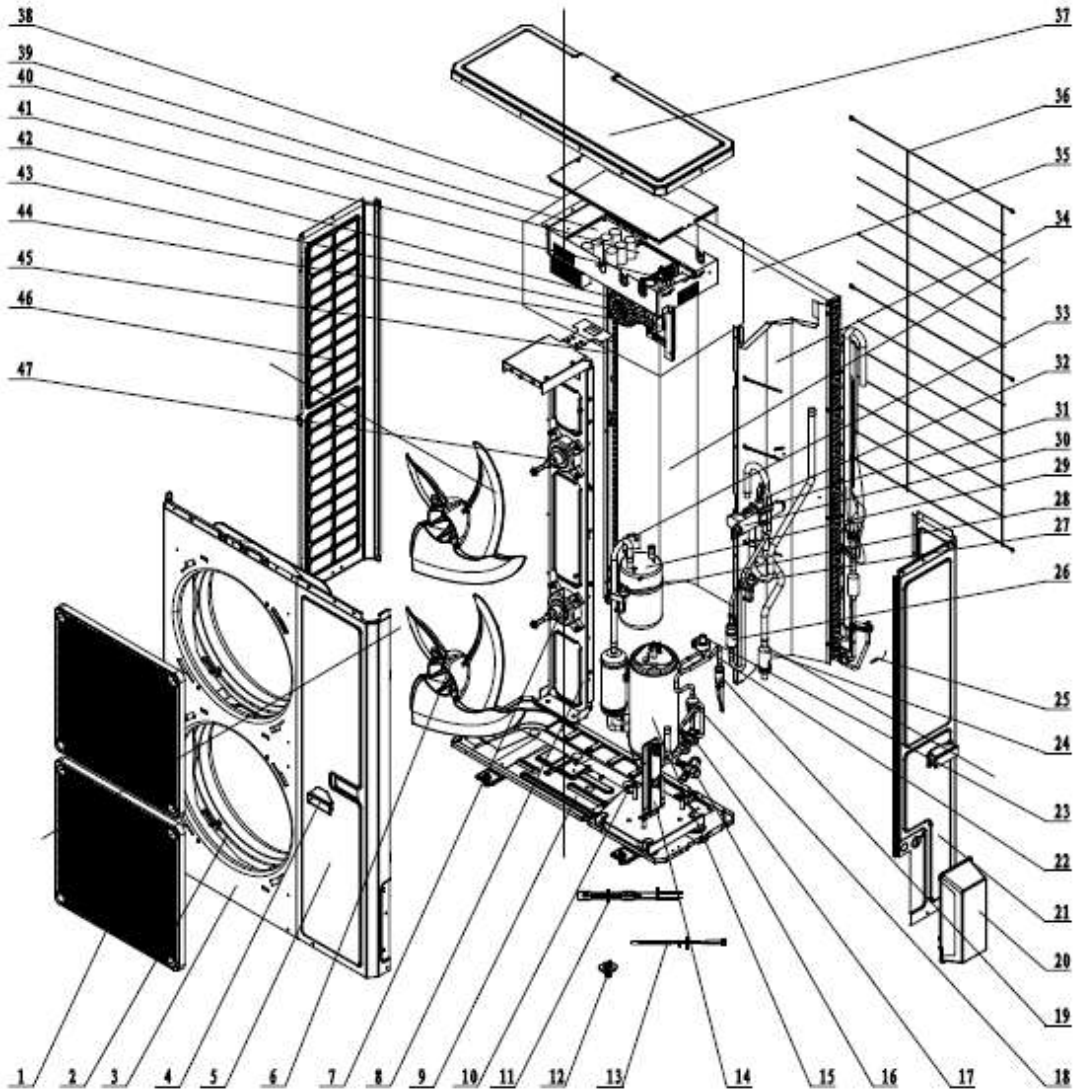
UMAT42HP230V1AO (Cont.) 42,000 BTUH 230v Outdoor Unit

NO.	Part Code	Part Description	Qty
31	01894100026	Supporting Strip	1
32	04045200039	4-Way Valve Assy	1
Not Shown	43000338	4-Way Valve	1
33	4602000902	High Pressure Protect Switch	1
34	4300040032	4-Way Valve Solenoid Coil	1
35	420101852	Terminal Board	1
36	42011242	Terminal Board	1
37	30224000036	Main Control Board 1 w/7-segment LED Display	1
38	30221000007	Filter Board	1
39	01264100008P	Top Panel Assy	1
40	30221000003	Driver Board	1
Not Shown	30224000027	Main Control Board 2	1
41	43120011	Reactor/PFC Inductance	1
42	01395200490	Electric Box Assy	1
43	49018000047	Heat Sink/Radiator	1
44	01805200202	Motor Support Sub-Assy	1
45	15704115	Fan Motor	1
46	1570411501	Fan Motor	1
47	01314100013P	Left Side Plate	1

** Temperature Sensor Assembly contains Discharge, Coil, & Ambient sensors.

UMAT48HP230V1AO

48,000 BTUH 230v Outdoor Unit



UMAT48HP230V1AO

48,000 BTUH 230v Outdoor Unit

NO.	Part Code	Part Description	Qty
1	01575200001	Front Grille	2
2	10474100001	Diversion Circle	2
3	01514100006	Cabinet Assy	1
4	26235253	Handle	1
5	01314100021P	Front Side Plate	1
6	10434100003	Axial Flow Fan	2
7	15704115	Fan Motor	1
8	01805200260	Motor Support Sub-Assy	1
9	01195200020P	Chassis Sub-Assy	1
10	76710247	Compressor Grommet	3
11	7651521215	Compressor Crankcase Heater	1
12	06123401	Drainage Connector	1
13	NA	Basepan Electric Heater	0
14	01805200204P	Valve Support Sub-Assy	1
15	00204100001	Compressor	1
Not Shown	00180030	Compressor Overload Protector(External)	1
Not Shown	00183032	Compressor Overload Protector(External)	1
Not Shown	00183051	Compressor Overload Protector(External)	1
16	07133844	5/8-in Gas/Suction Valve	1
17	07130209	3/8-in Liquid Line Valve	1
18	07415210	Filter	1
19	NA	Strainer	0
20	26904100056	Valve Cover	1
21	01315200088P	Rear Side Plate Sub-Assy	1
22	43045200015	Electronic Expansion Valve Sub-Assy	1
Not Shown	07135176	Electronic Expansion Valve	1
23	43000344	Electronic Expansion Valve Solenoid Coil	1
24	07411100014	Strainer	1
25	3900028025G	Temperature Sensor Assembly**	1
26	07245012	Silencer	1
27	46020003	High Pressure Protect Switch	1
28	46020007	Low Pressure Protect Switch	1
29	0722501801	Gas-Liquid Separator Sub-Assy	1
30	04045200041	4-way Valve Assy	1
Not Shown	43000338	4-Way Valve	1
31	4300040032	4-Way Valve Solenoid Coil	1

** Temperature Sensor Assembly contains Discharge, Coil, & Ambient sensors.

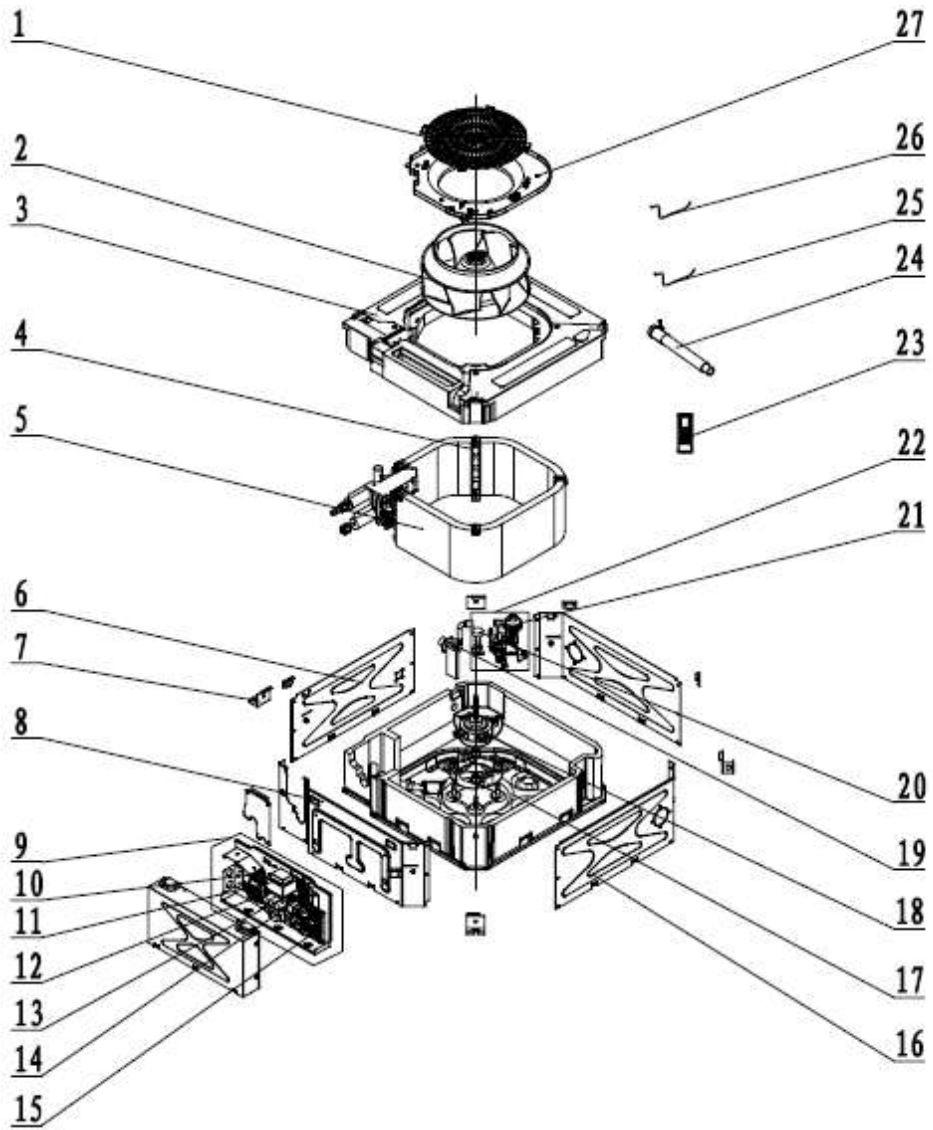
UMAT48HP230V1AO (Cont.) 48,000 BTUH 230v Outdoor Unit

NO.	Part Code	Part Description	Qty
32	4602000902	High Pressure Protect Switch	1
33	02145008	Wire Clamp	1
34	0124520000701	Clapboard	1
35	01125200197	Condenser Coil Assy	1
36	01574100004	Rear Grille	1
37	01264100008P	Top Panel	1
38	01395200255	Electric Box Assy	1
39	30228000005	Driver Board	1
Not Shown	30224000027	Main Control Board 2	1
40	'300020000003	Filter Board	1
41	30224000035	Main Control Board 1 w/7-segment LED Display	1
42	43128000015	Reactor/PFC Inductance	1
43	42011242	Terminal Board	1
44	420101852	Terminal Board	1
45	01894100026	Supporting Strip	1
46	01314100013P	Left Side Plate	1
47	1570411501	Fan Motor	1

** Temperature Sensor Assembly contains Discharge, Coil, & Ambient sensors.

UMAT18HP230V1AC

18,000 BTUH 230v Cassette Unit

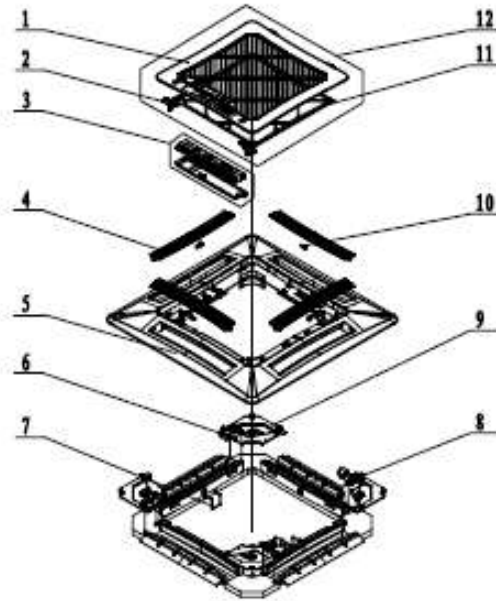


UMAT18HP230V1AC

18,000 BTUH 230v Cassette Unit

NO.	Part Code	Part Description	Qty
1	26909400007	Rear Grille	1
2	10429400001	Centrifugal Fan	1
3	01289400004	Condensate Water Tray Assy	1
4	01809400007	Support	3
5	01029400013	Evaporator Coil Assy	1
6	01319400012	Left Side Plate Sub-Assy	1
7	01332705	Body Mounting Bracket	4
8	01319400014	Front Side Plate Sub-Assy	1
9	01399400114	Electric Box Assy	1
10	4201025301	Terminal Board	1
11	43110286	Transformer	1
12	42010274	Terminal Board	1
13	42011147	Terminal Board	1
14	42011103	Terminal Board	2
15	30224000028	Main Control Board	1
16	01319400013	Right Side Plate Sub-Assy	2
17	02229400007	Base Plate Assy	1
18	15709400004	Fan Motor	1
19	04269400001	Water Pump Drain Pipe	1
20	450102013	Water Level Switch	1
21	43138000024	Water Pump	1
22	15409400003	Water Pump Assy	1
23	30510516	Remote Controller (YB1FA)	1
24	05232050	Drain Hose Sub-Assy	1
25	3900012128	Tube Temperature Sensor	1
26	39000191	Ambient Temperature Sensor	1
27	10479400001	Diversion Circle	1

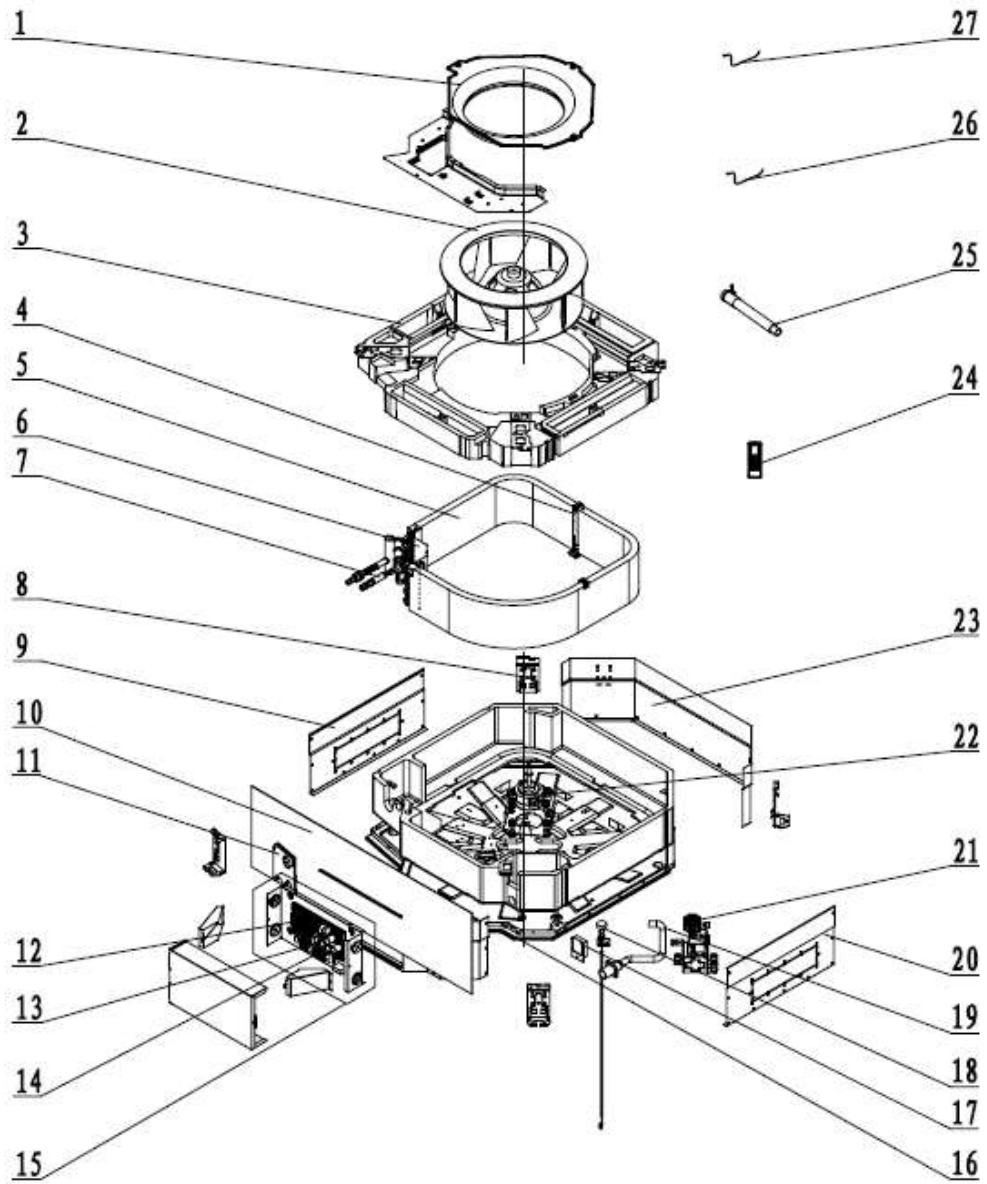
UMAT18HP230V1AC (Cont.) 18,000 BTUH 230v Cassette Grille Assembly



NO.	Part Code	Part Description	Qty
1	26909400010	Front Grille Assy	1
2	02209400001	Fastener Sub-Assy	2
3	30261016	Receiver Board	1
4	26909400014	Guide Louver	4
5	26909400009	Front Case	1
6	15729401	Stepper Motor	4
7	02229400009	Hook	2
8	26909400012	Gland Bushing	4
9	26909400011	Corner Cover	4
10	NA	Axial Bushing	1
11	11729400001	Air Filter	1
12	01579400002	Front Grille Assy	1

UMAT24HP230V1AC

24,000 BTUH 230v Cassette Unit



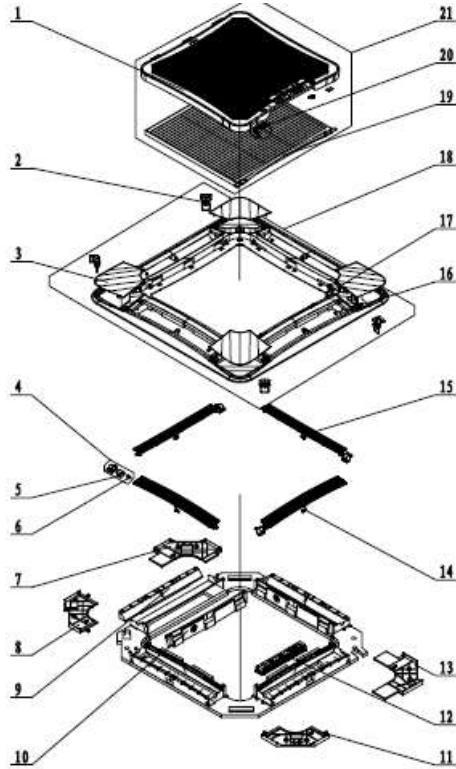
UMAT24HP230V1AC

24,000 BTUH 230v Cassette Unit

NO.	Part Code	Part Description	Qty
1	10372701	Diversion Circle	1
2	10312705	Centrifugal Fan	1
3	20182701	Condensate Water Tray Assy	1
4	01072703	Evaporator Coil Support Assy	2
5	01029400045	Evaporator Coil Assy	1
6	01074042	Evaporator Connection Board Assy	1
7	07212403	Strainer	1
8	01332701	Body Mounting Bracket	4
9	01302715	Left Side Plate Assy	1
10	01302718	Front Side Plate Assy	1
11	01382715	Tube Exit Plate Assy	1
12	30224000028	Main Control Board	1
13	4201025301	Terminal Board	1
14	42011222	Terminal Board	1
15	01399400117	Electric Box Assy	1
16	01222701	Base Plate Assy	1
17	01252713	Water Pump Cover Board Assy	1
18	45018012	Water Level Switch	1
19	05230026	Water Pump Drain Pipe	1
20	01302716	Right Side Plate Assy	1
21	43130324	Water Pump	1
22	15709400004	Fan Motor	1
23	01302714	Rear Side Plate Assy	1
24	30510516	Remote Controller (YB1FA)	1
25	05232702	Drain Hose Sub-Assy	1
26	390001921G	Tube Temperature Sensor	1
27	390001912	Ambient Temperature Sensor	1

UMAT24HP230V1AC (Cont.)

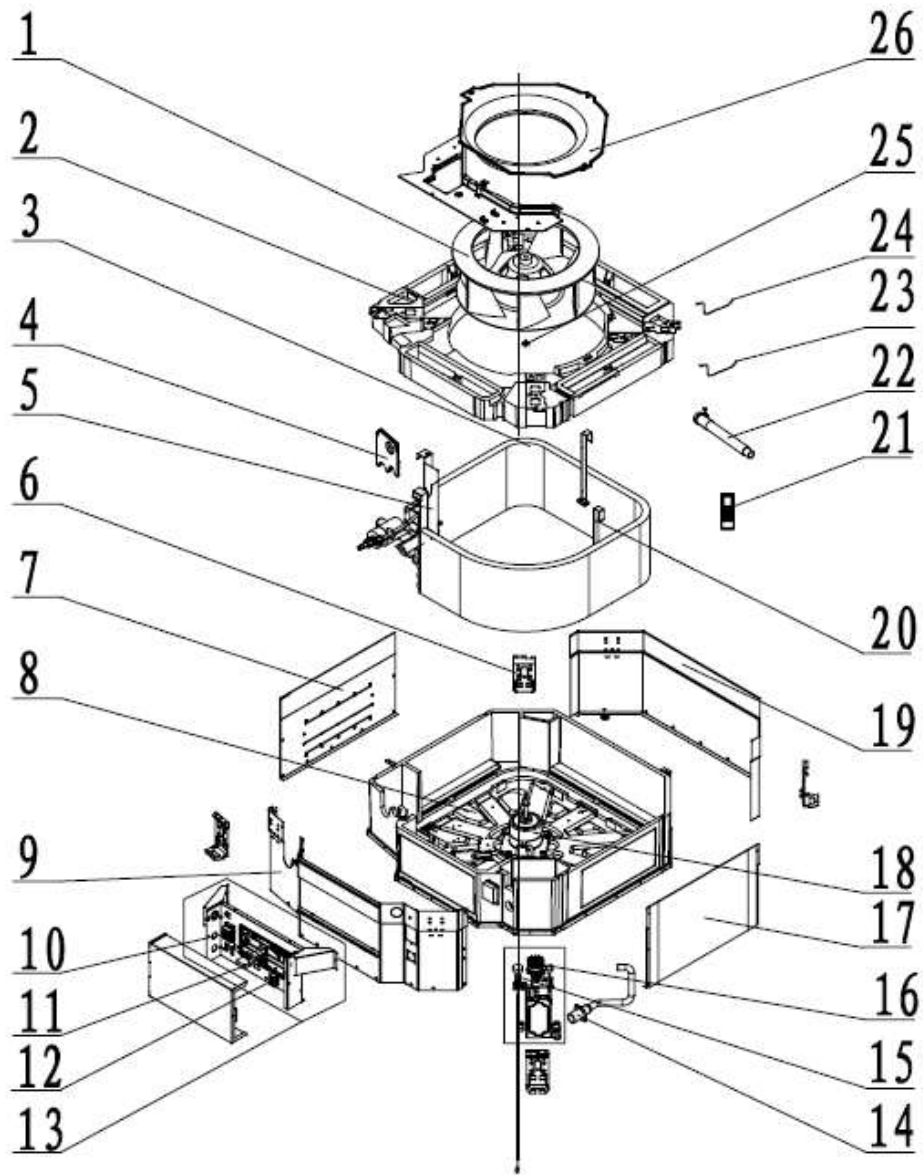
24,000 BTUH 230v Cassette Grille Assembly



NO.	Part Code	Part Description	Qty
1	26909466	Front Grille	1
2	70810101	Hanging Ring	4
3	01269410	Outer Conner Cover Sub-Assy	4
4	15409407	Louver Motor Sub-Assy	4
5	15729401	Stepper Motor	1
6	10582070	Crank	1
7	01269411	Inner Conner Cover IV Sub-Assy	1
8	01269412	Inner Conner Cover III Sub-Assy	1
9	52069409	Outlet Foam 1	4
10	52069410	Outlet Foam 2	4
11	01269413	Inner Conner Cover II Sub-Assy	1
12	NA	Display Board	1
13	01269414	Inner Conner Cover I Sub-Assy	1
14	10542036	Axial Bushing	4
15	10619406	Guide Louver	4
16	10512037	Left Axial Bushing	4
17	70842705	Magnet Sub-Assy	1
18	01549401	Front Panel Assy	1
19	11729405	Air Filter	1
20	02209402	Fastener Sub-Assy	1
21	01579400004	Front Grille Assy	1

UMAT30HP230V1AC

30,000 BTUH 230v Cassette Unit



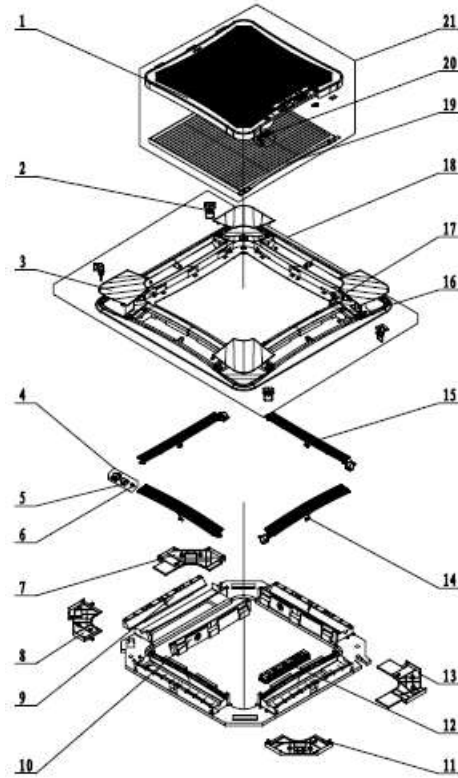
UMAT30HP230V1AC

30,000 BTUH 230v Cassette Unit

NO.	Part Code	Part Description	Qty
1	10310101	Centrifugal Fan	1
2	20182701	Condensate Water Tray Assy	1
3	01029400042	Evaporator Coil Assy	1
4	01382715	Tube Exit Plate Assy	1
5	01349400007	Connection Sheet Assy	1
6	01332701	Body Mounting Bracket	4
7	01302711	Left Side Plate Assy	1
8	01222701	Base Plate Assy	1
9	0130271301	Front Side Plate Assy	1
10	42011222	Terminal Board	1
11	30224000028	Main Control Board	1
12	4201025301	Terminal Board	1
13	01399400124	Electric Box Assy	1
14	05230026	Water Pump Drain Pipe	1
15	45018012	Water Level Switch	1
16	43130324	Water Pump	1
17	01302712	Right Side Plate Assy	1
18	15709400003	Fan Motor	1
19	01302709	Rear Side Plate Assy	1
20	01072707	Evaporator Coil Support Assy	2
21	30510516	Remote Controller (YB1FA)	1
22	05232702	Drain Hose Sub-Assy	1
23	3900012123	Ambient Temperature Sensor	1
24	390001921G	Tube Temperature Sensor	1
25	10312701	Fan Support	1
26	10372722	Diversion Circle	1

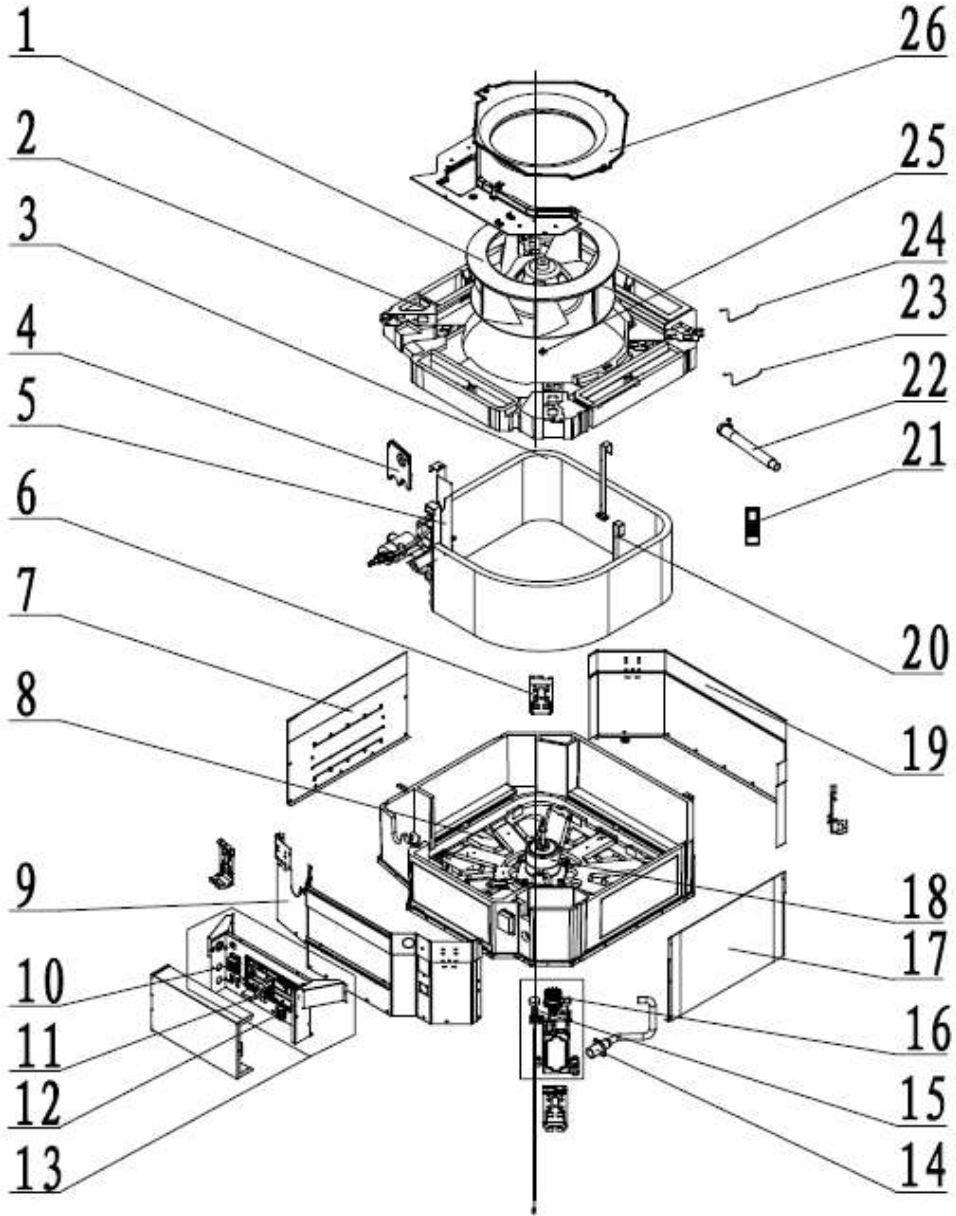
UMAT30HP230V1AC (Cont.)

30,000 BTUH 230v Cassette Grille Assembly



NO.	Part Code	Part Description	Qty
1	26909466	Front Grille	1
2	70810101	Hanging Ring	4
3	01269410	Outer Conner Cover Sub-Assy	4
4	15409407	Louver Motor Sub-Assy	4
5	15729401	Stepper Motor	1
6	10582070	Crank	1
7	01269411	Inner Conner Cover IV Sub-Assy	1
8	01269412	Inner Conner Cover III Sub-Assy	1
9	52069409	Outlet Foam 1	4
10	52069410	Outlet Foam 2	4
11	01269413	Inner Conner Cover II Sub-Assy	1
12	NA	Display Board	1
13	01269414	Inner Conner Cover I Sub-Assy	1
14	10542036	Axial Bushing	4
15	10619406	Guide Louver	4
16	10512037	Left Axial Bushing	4
17	70842705	Magnet Sub-Assy	1
18	01549401	Front Panel Assy	1
19	11729405	Air Filter	1
20	02209402	Fastener Sub-Assy	1
21	01579400004	Front Grille Assy	1

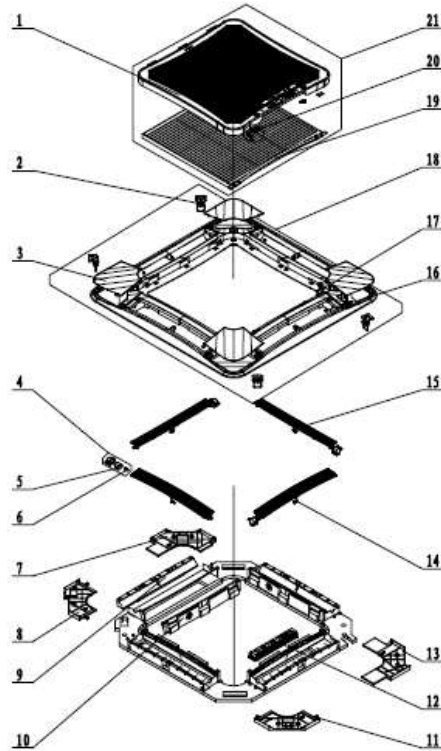
UMAT36HP230V1AC
36,000 BTUH 230v Cassette Unit



UMAT36HP230V1AC 36,000 BTUH 230v Cassette Unit

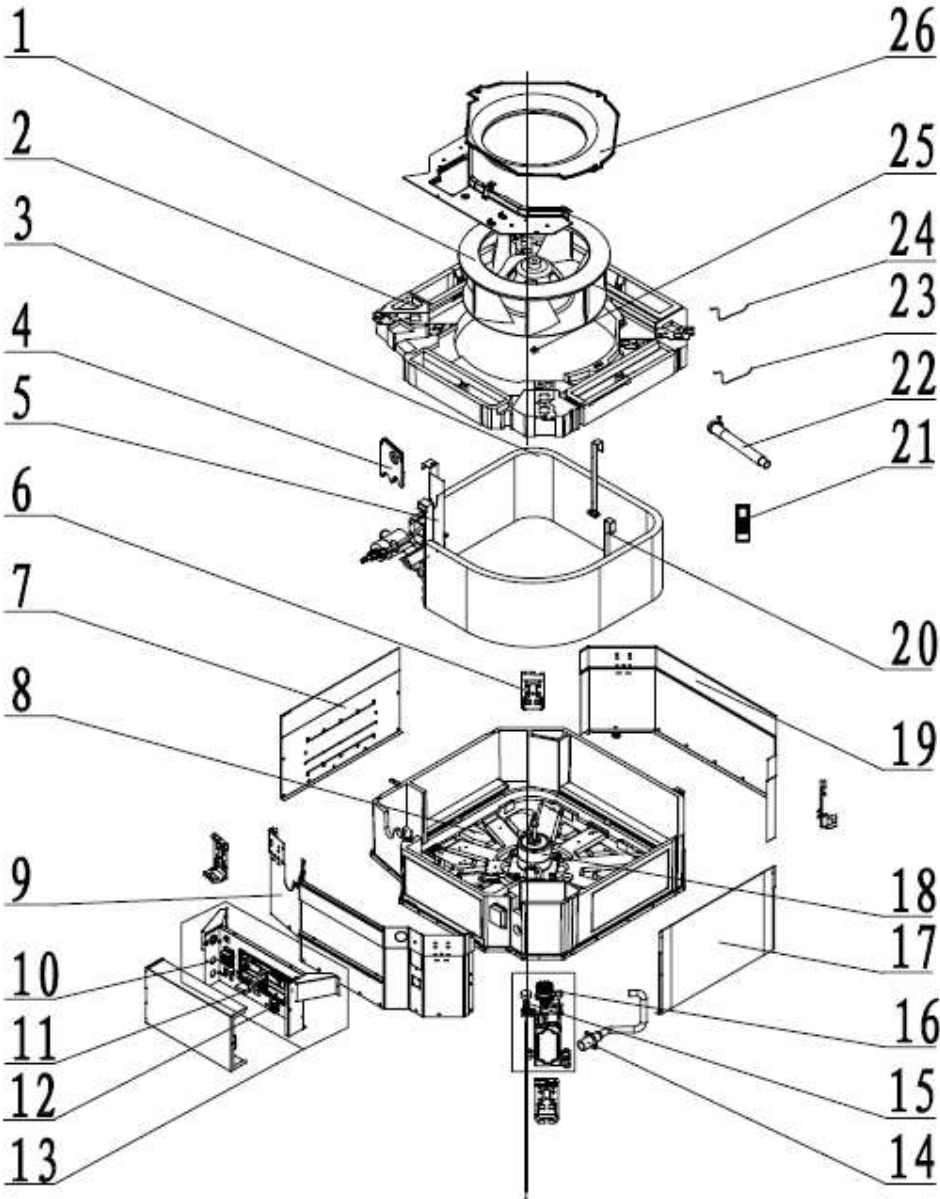
NO.	Part Code	Part Description	Qty
1	10310101	Centrifugal Fan	1
2	20182701	Condensate Water Tray Assy	1
3	01029400042	Evaporator Coil Assy	1
4	01382715	Tube Exit Plate Assy	1
5	01349400007	Connection Sheet Assy	1
6	01332701	Body Mounting Bracket	4
7	01302711	Left Side Plate Assy	1
8	01222701	Base Plate Assy	1
9	0130271301	Front Side Plate Assy	1
10	42011222	Terminal Board	1
11	30224000028	Main Control Board	1
12	4201025301	Terminal Board	1
13	01399400124	Electric Box Assy	1
14	05230026	Water Pump Drain Pipe	1
15	45018012	Water Level Switch	1
16	43130324	Water Pump	1
17	01302712	Right Side Plate Assy	1
18	15709400003	Fan Motor	1
19	01302709	Rear Side Plate Assy	1
20	01072707	Evaporator Coil Support Assy	2
21	30510516	Remote Controller (YB1FA)	1
22	05232702	Drain Hose Sub-Assy	1
23	3900012123	Ambient Temperature Sensor	1
24	390001921G	Tube Temperature Sensor	1
25	10312701	Fan Support	1
26	10372722	Diversion Circle	1

UMAT36HP230V1AC (Cont.) 36,000 BTUH 230v Cassette Grille Assembly



NO.	Part Code	Part Description	Qty
1	26909466	Front Grille	1
2	70810101	Hanging Ring	4
3	01269410	Outer Conner Cover Sub-Assy	4
4	15409407	Louver Motor Sub-Assy	4
5	15729401	Stepper Motor	1
6	10582070	Crank	1
7	01269411	Inner Conner Cover IV Sub-Assy	1
8	01269412	Inner Conner Cover III Sub-Assy	1
9	52069409	Outlet Foam 1	4
10	52069410	Outlet Foam 2	4
11	01269413	Inner Conner Cover II Sub-Assy	1
12	NA	Display Board	1
13	01269414	Inner Conner Cover I Sub-Assy	1
14	10542036	Axial Bushing	4
15	10619406	Guide Louver	4
16	10512037	Left Axial Bushing	4
17	70842705	Magnet Sub-Assy	1
18	01549401	Front Panel Assy	1
19	11729405	Air Filter	1
20	02209402	Fastener Sub-Assy	1
21	01579400004	Front Grille Assy	1

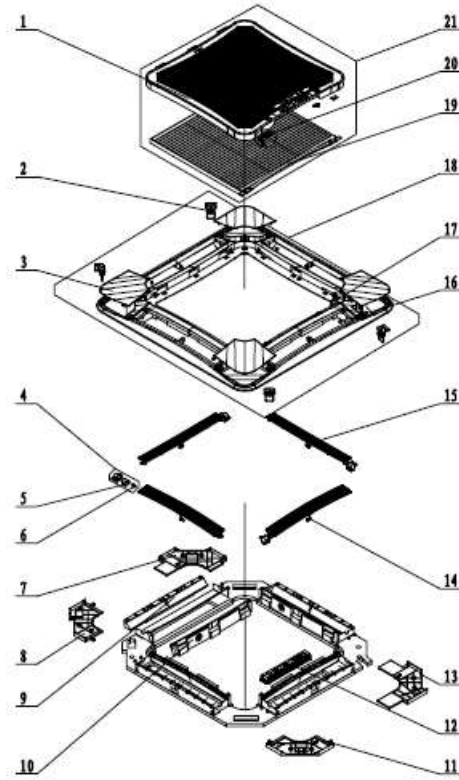
UMAT42HP230V1AC
42,000 BTUH 230v Cassette Unit



UMAT42HP230V1AC 42,000 BTUH 230v Cassette Unit

NO.	Part Code	Part Description	Qty
1	10310101	Centrifugal Fan	1
2	20182701	Condensate Water Tray Assy	1
3	01029400042	Evaporator Coil Assy	1
4	01382715	Tube Exit Plate Assy	1
5	01349400007	Connection Sheet Assy	1
6	01332701	Body Mounting Bracket	4
7	01302711	Left Side Plate Assy	1
8	01222701	Base Plate Assy	1
9	0130271301	Front Side Plate Assy	1
10	42011222	Terminal Board	1
11	30224000028	Main Control Board	1
12	4201025301	Terminal Board	1
13	01399400124	Electric Box Assy	1
14	05230026	Water Pump Drain Pipe	1
15	45018012	Water Level Switch	1
16	43130324	Water Pump	1
17	01302712	Right Side Plate Assy	1
18	15709400003	Fan Motor	1
19	01302709	Rear Side Plate Assy	1
20	01072707	Evaporator Coil Support Assy	2
21	30510516	Remote Controller (YB1FA)	1
22	05232702	Drain Hose Sub-Assy	1
23	3900012123	Ambient Temperature Sensor	1
24	390001921G	Tube Temperature Sensor	1
25	10312701	Fan Support	1
26	10372722	Diversion Circle	1

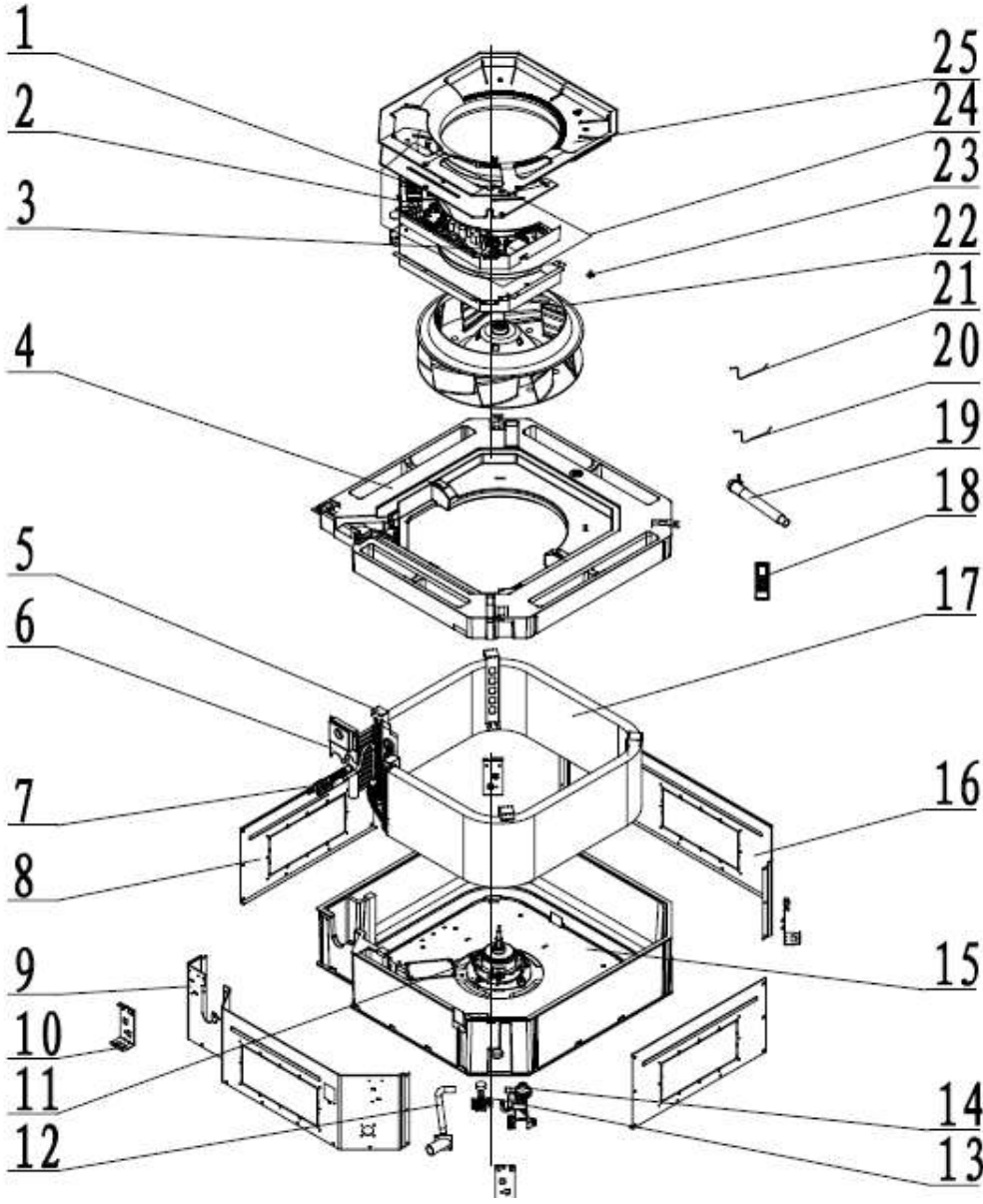
UMAT42HP230V1AC (Cont.) 42,000 BTUH 230v Cassette Grille Assembly



NO.	Part Code	Part Description	Qty
1	26909466	Front Grille	1
2	70810101	Hanging Ring	4
3	01269410	Outer Conner Cover Sub-Assy	4
4	15409407	Louver Motor Sub-Assy	4
5	15729401	Stepper Motor	1
6	10582070	Crank	1
7	01269411	Inner Conner Cover IV Sub-Assy	1
8	01269412	Inner Conner Cover III Sub-Assy	1
9	52069409	Outlet Foam 1	4
10	52069410	Outlet Foam 2	4
11	01269413	Inner Conner Cover II Sub-Assy	1
12	NA	Display Board	1
13	01269414	Inner Conner Cover I Sub-Assy	1
14	10542036	Axial Bushing	4
15	10619406	Guide Louver	4
16	10512037	Left Axial Bushing	4
17	70842705	Magnet Sub-Assy	1
18	01549401	Front Panel Assy	1
19	11729405	Air Filter	1
20	02209402	Fastener Sub-Assy	1
21	01579400004	Front Grille Assy	1

UMAT48HP230V1AC

48,000 BTUH 230v Cassette Unit

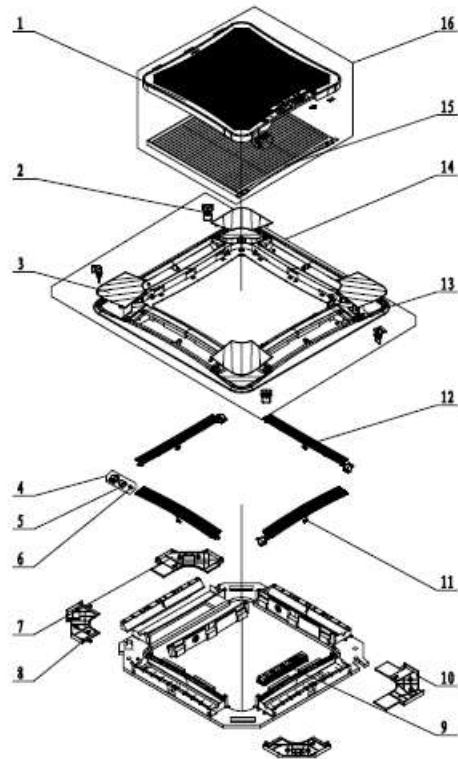


UMAT48HP230V1AC 48,000 BTUH 230v Cassette Unit

NO.	Part Code	Part Description	Qty
1	4201025801	Terminal Board	1
2	4201025301	Terminal Board	1
3	30224000028	Main Control Board	1
4	01289400002	Condensate Water Tray Assy	1
5	01349400002	Connection Sheet Sub-Assy	1
6	01344100075	Tube Exit Plate	1
7	07212403	Strainer	1
8	01319448	Right and Left Side Plate	2
9	01319447	Front Side Plate	1
10	01329420	Body Mounting Bracket	4
11	15709400002	Fan Motor	1
12	05339401	Drain Hose	1
13	45018000001	Water Level Switch Sub-Assy	1
14	4313822001	Water Pump	1
15	02229400001	Seat Board Sub-Assy	1
16	01319446	Rear Side Plate	1
17	01029400054	Evaporator Coil Assy	1
18	30510516	Remote Controller (YB1FA)	1
19	05232702	Drain Hose Sub-Assy	1
20	390001912	Ambient Temperature Sensor	1
21	390001921G	Tube Temperature Sensor	1
22	10429401	Centrifugal Fan	1
23	10312701	Fan Support	1
24	01399400128	Electric Box Assy	1
25	10479401	Diversioin Circle	1

UMAT48HP230V1AC (Cont.)

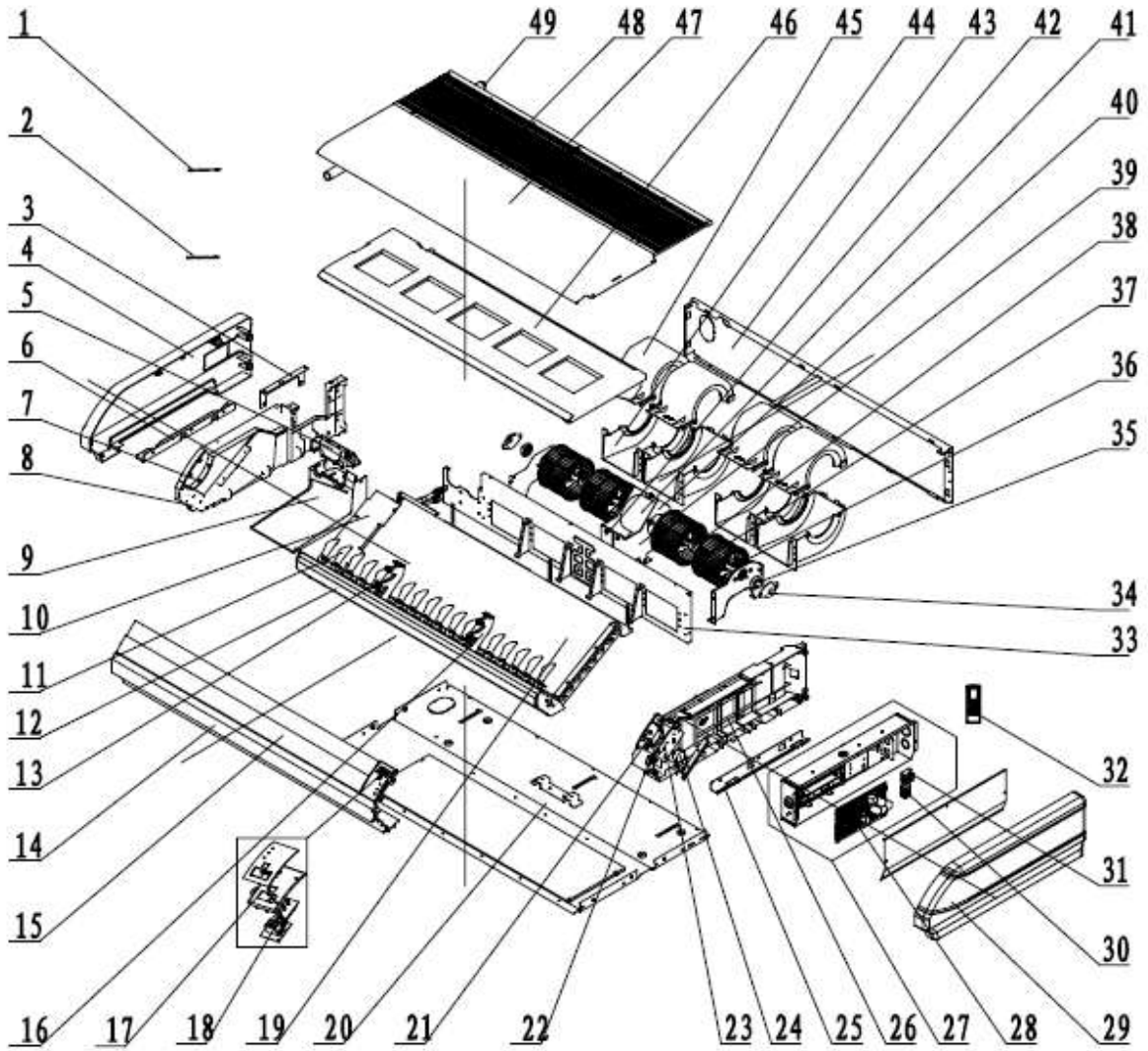
48,000 BTUH 230v Cassette Grille Assembly



NO.	Part Code	Part Description	Qty
1	26909486	Front Grille	1
2	70810101	Hanging Ring	4
3	01269400001	Outer Conner Cover Sub-Assy	4
4	15409407	Louver Motor Sub-Assy	4
5	15729401	Stepper Motor	1
6	10582070	Crank	1
7	26909490	Inner Conner Cover 3	1
8	26909491	Inner Conner Cover 2	2
9	30261016	Receiver Board	1
10	26909492	Inner Conner Cover 1	1
11	10542036	Axial Bushing	4
12	26909493	Guide Louver	4
13	10512037	Left Axial Bushing	4
14	01549400001	Front Panel Assy	1
15	11729406	Air Filter	1
16	01579400003	Front Grille Assy	1

UMAT18HP230V1AF

18,000 BTUH 230v Floor/Ceiling Unit



UMAT18HP230V1AF

18,000 BTUH 230v Floor/Ceiling Unit

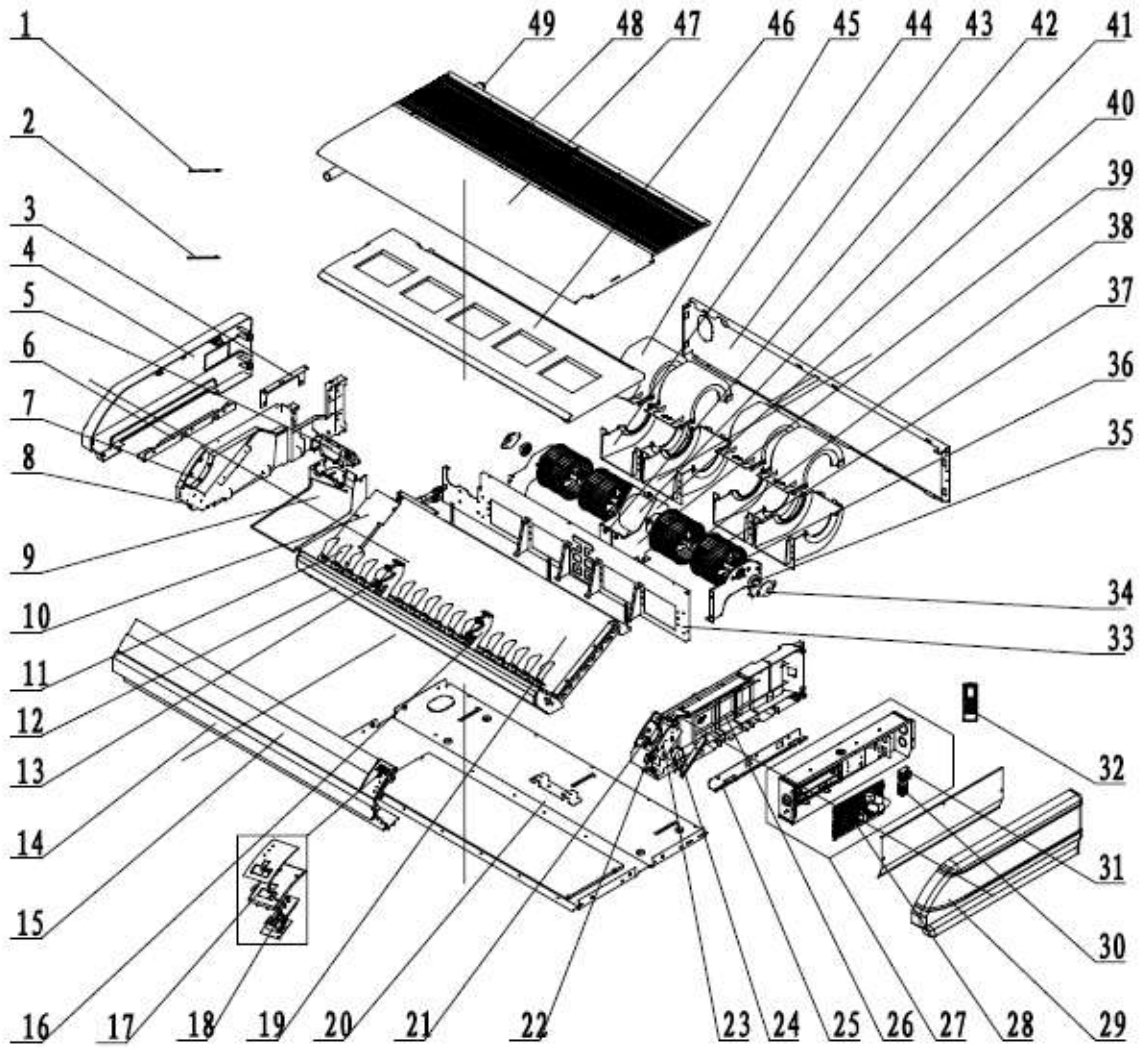
NO.	Part Code	Part Description	Qty
1	390001923	Tube Temperature Sensor	1
2	39000191	Ambient Temperature Sensor	1
3	02229406	Connection Board	1
4	26909444	Right Cover Plate	1
5	26909442	Water Releasing Flume Plate Board	1
6	01809402	Installation Mounting Bracket	1
7	10542704	Axial Bushing	2
8	01319429	Right Side Plate Sub-Assy	1
9	02284106P	Water Releasing Flume	1
10	01349421	Evaporator Connected Board	1
11	10619404	Air Louver	16
12	0180941601	Guide Louver Support Sub-Assy	1
13	26909430	Rotating Shaft	4
14	01349414P	Front Connection Board	1
15	10619403	Guide Louver	2
16	26909449	Support	2
17	26909426R	Fixed Mount	1
18	30294000009	Display Board	1
19	01029468	Evaporator Coil Assy	1
20	01319400008	Rear Side Plate Assy	1
21	26909413	Rotating Shaft	1
22	26909411	Connecting Rod	1
23	26909412	Rotating Shaft	1
24	1521240206	Stepper Motor	1
25	01809401	Installation Mounting Bracket	1
26	0131942801	Left Side Plate Sub-Assy	1
27	01399400113	Electric Box Assy	1
28	30224000029	Main Control Board	1
29	2690944302	Left Cover Plate	1
30	42010178	Terminal Board	1
31	4201025301	Terminal Board	1
32	30510516	Remote Controller (YB1FA)	1
33	01249416	Mid-Clapboard Sub-Assy	1
34	01792408	Motor Bearing Support	2
35	76512404	Bearing O-Gasket	2
36	73018000037	Rotary Axis Sub-Assy	2
37	10425200	Centrifugal Fan	4
38	73018731	Joint Slack	2
39	01809400024	Support	1
40	70818000033	Bar Clasp sub-Assy	1

UMAT18HP230V1AF (Cont.)
18,000 BTUH 230v Floor/Ceiling Unit

NO.	Part Code	Part Description	Qty
41	15704100001	Fan Motor	1
42	01809400023	Support	1
43	01349422	Rear Connection Board	1
44	26905205	Front Blower Housing	4
45	26905206	Rear Blower Housing	4
46	01289404	Condensate Water Tray Assy	1
47	01269409	Top Cover Board Sub-Assy	1
48	01579403	Front Grille Sub-Assy	2
49	05235434	Drain Pipe Sub-Assy	1

UMAT24HP230V1AF

24,000 BTUH 230v Floor/Ceiling Unit



UMAT24HP230V1AF

24,000 BTUH 230v Floor/Ceiling Unit

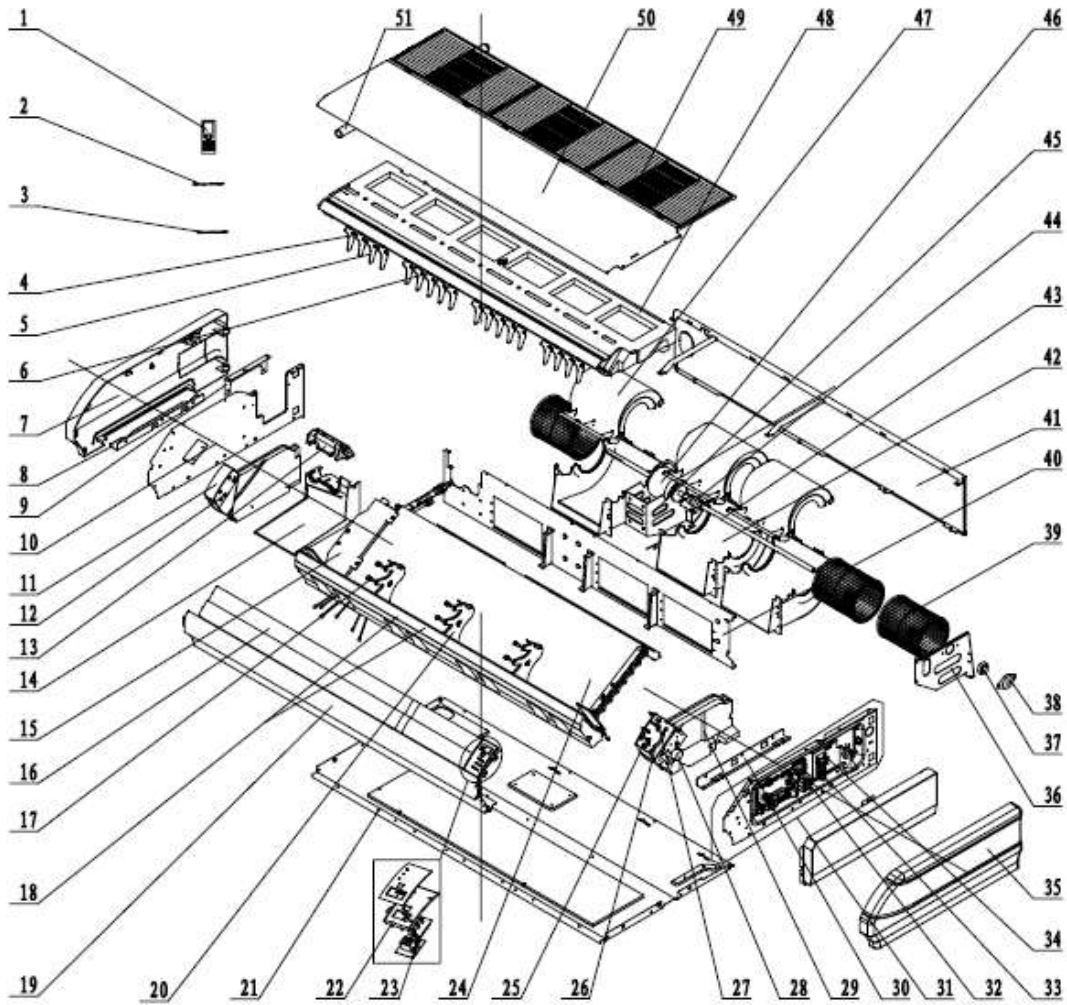
NO.	Part Code	Part Description	Qty
1	390001923	Tube Temperature Sensor	1
2	39000191	Ambient Temperature Sensor	1
3	02229406	Connection Board	1
4	26909444	Right Cover Plate	1
5	26909442	Water Releasing Flume Plate Board	1
6	01809402	Installation Mounting Bracket	1
7	10542704	Axial Bushing	2
8	01319429	Right Side Plate Sub-Assy	1
9	02284106P	Water Releasing Flume	1
10	01349421	Evaporator Connected Board	1
11	10619404	Air Louver	16
12	0180941601	Guide Louver Support Sub-Assy	1
13	26909430	Rotating Shaft	4
14	01349414P	Front Connection Board	1
15	10619403	Guide Louver	2
16	26909449	Support	2
17	26909426R	Fixed Mount	1
18	30294000009	Display Board	1
19	01029400046	Evaporator Coil Assy	1
20	01319400008	Rear Side Plate Assy	1
21	26909413	Rotating Shaft	1
22	26909411	Connecting Rod	1
23	26909412	Rotating Shaft	1
24	1521240206	Stepper Motor	1
25	01809401	Installation Mounting Bracket	1
26	0131942801	Left Side Plate Sub-Assy	1
27	01399400113	Electric Box Assy	1
28	30224000029	Main Control Board	1
29	2690944302	Left Cover Plate	1
30	42010178	Terminal Board	1
31	4201025301	Terminal Board	1
32	30510516	Remote Controller (YB1FA)	1
33	01249416	Mid-Clapboard Sub-Assy	1
34	01792408	Motor Bearing Support	2
35	76512404	Bearing O-Gasket	2
36	73018000037	Rotary Axis Sub-Assy	2
37	10425200	Centrifugal Fan	4
38	73018731	Joint Slack	2
39	01809400024	Support	1
40	70818000033	Bar Clasp Sub-Assy	1

UMAT24HP230V1AF (Cont.)
24,000 BTUH 230v Floor/Ceiling Unit

NO.	Part Code	Part Description	Qty
41	15704100001	Fan Motor	1
42	01809400023	Support	1
43	01349422	Rear Connection Board	1
44	26905205	Front Blower Housing	4
45	26905206	Rear Blower Housing	4
46	01289404	Condensate Water Tray Assy	1
47	01269409	Top Cover Board Sub-Assy	1
48	01579403	Front Grille Sub-Assy	2
49	05235434	Drain Pipe Sub-Assy	1

UMAT30HP230V1AF

30,000 BTUH 230v Floor/Ceiling Unit



UMAT30HP230V1AF

30,000 BTUH 230v Floor/Ceiling Unit

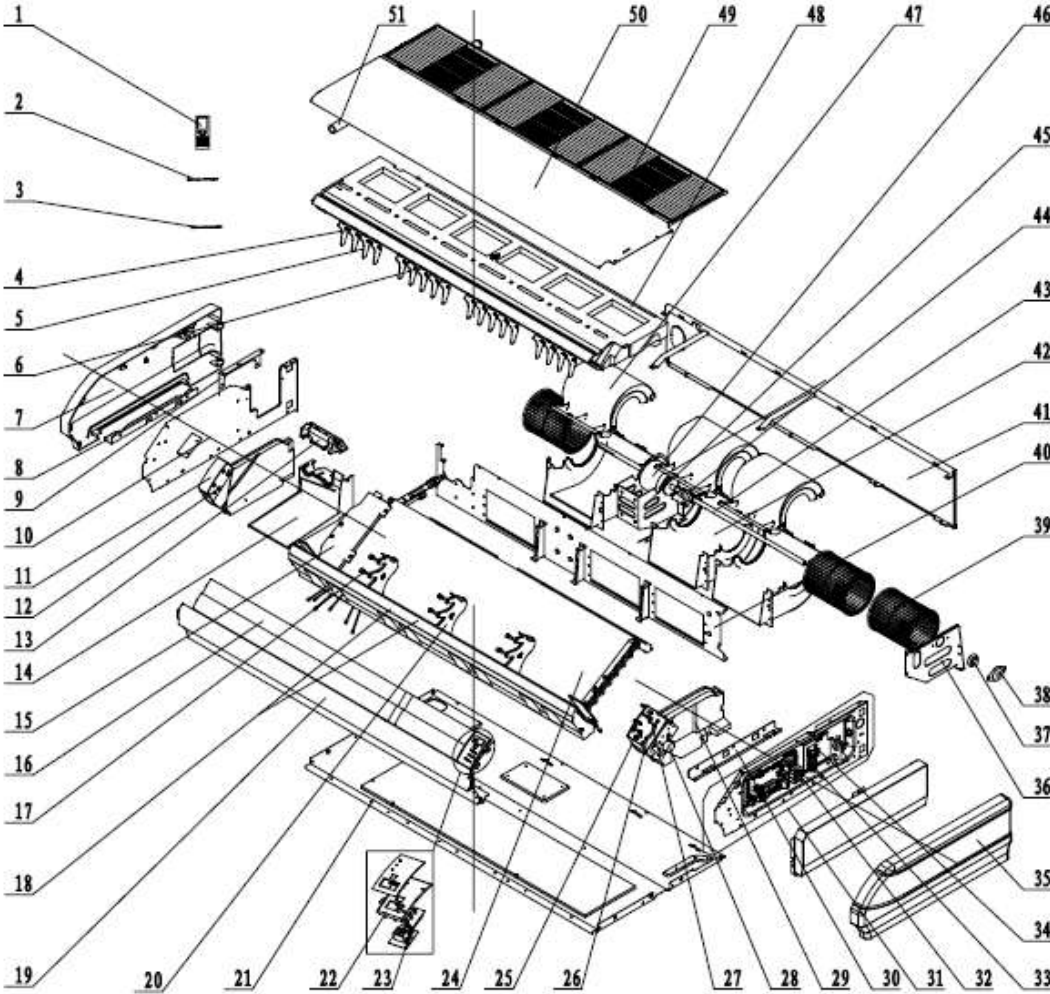
NO.	Part Code	Part Description	Qty
1	30510516	Remote Controller (YB1FA)	1
2	390001923	Tube Temperature Sensor	1
3	39000191	Ambient Temperature Sensor	1
4	10582008	Swing Lever	2
5	26909418	Air Louver	18
6	10582009	Swing Lever	2
7	26909422	Right Cover Plate	1
8	01809402	Installation Mounting Bracket	1
9	02229406	Connection Board	1
10	01319408	Right Side Plate Sub-Assy	1
11	12509425	Right Foam Assy	1
12	10542704	Axial Bushing	2
13	26909442	Water Releasing Flume Plate Board	1
14	26909441	Water Releasing Flume	1
15	01349413	Evaporator Connection Board	1
16	26909432	Guide Louver	2
17	26909430	Rotating Shaft	6
18	12509424	Front Connection Board Foam Assy	1
19	01349408P	Front Connection Board	1
20	26909409	Support	3
21	01319400005	Rear Side Plate Assy	1
22	26909426R	Fixed Mount	1
23	30294000009	Display Board	1
24	01029400041	Evaporator Coil Assy	1
25	26909413	Rotating Shaft	1
26	26909411	Connecting Rod	1
27	26909412	Rotating Shaft	1
28	1521240206	Stepper Motor	1
29	12509408	Left Foam Assy	1
30	01809401	Installation Mounting Bracket	1
31	01399400116	Electric Box Assy	1
32	30224000029	Main Control Board	1
33	4201025301	Terminal Board	1
34	42010178	Terminal Board	1
35	2690941601	Left Cover Plate	1
36	01809404	Bracket 1	1
37	76512404	Bearing O-Gasket	1
38	01792408	Motor Bearing Support	1
39	1041410101	Centrifugal Fan	3
40	01249400002	Clapboard Sub-Assy	1

UMAT30HP230V1AF (Cont.)
30,000 BTUH 230v Floor/Ceiling Unit

NO.	Part Code	Part Description	Qty
41	01349418	Rear Connection Board	1
42	26905208	Front Blower Housing	3
43	73018052	Rotary Axis Sub-Assy	1
44	73018731	Joint Slack	1
45	01809400029	Motor Support Sub-Assy	1
46	15705200005	Fan Motor	1
47	26909419	Rear Blower Housing	3
48	01289405	Condensate Water Tray Assy	1
49	01579402	Front Grille Sub-Assy	3
50	01269405	Top Cover Board Sub-Assy	1
51	05235434	Drain Pipe Sub-Assy	1

UMAT36HP230V1AF

36,000 BTUH 230v Floor/Ceiling Unit



UMAT36HP230V1AF

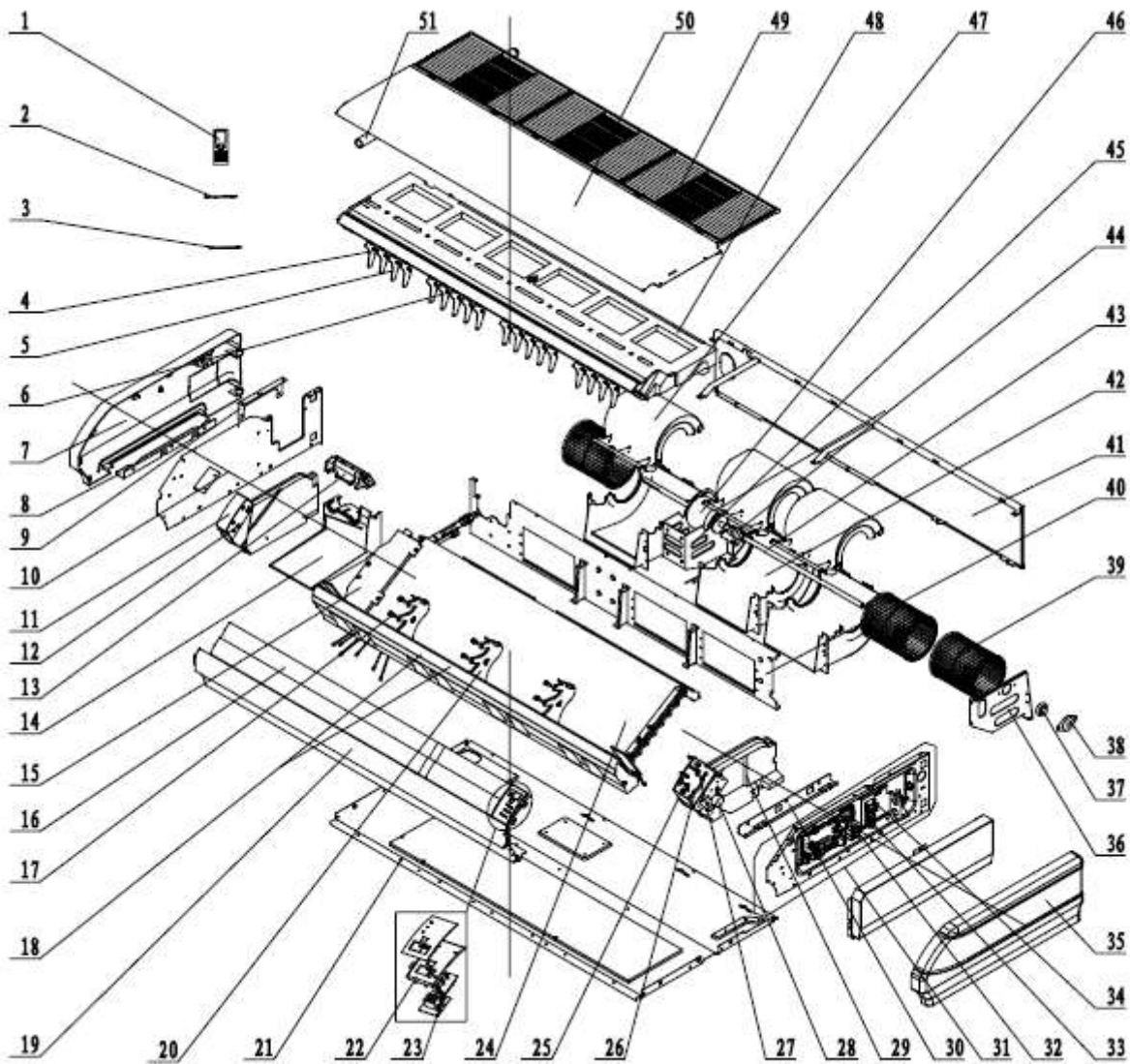
36,000 BTUH 230v Floor/Ceiling Unit

NO.	Part Code	Part Description	Qty
1	30510516	Remote Controller (YB1FA)	1
2	390001923	Tube Temperature Sensor	1
3	39000191	Ambient Temperature Sensor	1
4	10582008	Swing Lever	2
5	26909418	Air Louver	18
6	10582009	Swing Lever	2
7	26909422	Right Cover Plate	1
8	01809402	Installation Mounting Bracket	1
9	02229406	Connection Board	1
10	01319408	Right Side Plate Sub-Assy	1
11	12509425	Right Foam Assy	1
12	10542704	Axial Bushing	2
13	26909442	Water Releasing Flume Plate Board	1
14	26909441	Water Releasing Flume	1
15	01349413	Evaporator Connection Board	1
16	26909432	Guide Louver	2
17	26909430	Rotating Shaft	6
18	12509424	Front Connection Board Foam Assy	1
19	01349408P	Front Connection Board	1
20	26909409	Support	3
21	01319400005	Rear Side Plate Assy	1
22	26909426R	Fixed Mount	1
23	30294000009	Display Board	1
24	01029400050	Evaporator Coil Assy	1
25	26909413	Rotating Shaft	1
26	26909411	Connecting Rod	1
27	26909412	Rotating Shaft	1
28	1521240206	Stepper Motor	1
29	12509408	Left Foam Assy	1
30	01809401	Installation Mounting Bracket	1
31	01399400116	Electric Box Assy	1
32	30224000029	Main Control Board	1
33	4201025301	Terminal Board	1
34	42010178	Terminal Board	1
35	2690941601	Left Cover Plate	1
36	01809404	Bracket 1	1
37	76512404	Bearing O-Gasket	1
38	01792408	Motor Bearing Support	1
39	1041410101	Centrifugal Fan	3
40	01249400002	Clapboard Sub-Assy	1

UMAT36HP230V1AF (Cont.)
36,000 BTUH 230v Floor/Ceiling Unit

NO.	Part Code	Part Description	Qty
41	01349418	Rear Connection board	1
42	26905208	Front Blower Housing	3
43	73018052	Rotary Axis Sub-Assy	1
44	73018731	Joint Slack	1
45	01809400029	Motor Support Sub-Assy	1
46	15705200005	Fan Motor	1
47	26909419	Rear Blower Housing	3
48	01289405	Condensate Water Tray Assy	1
49	01579402	Front Grille Sub-Assy	3
50	01269405	Top Cover Board Sub-Assy	1
51	05235434	Drain Pipe Sub-Assy	1

UMAT42HP230V1AF 42,000 BTUH 230v Floor/Ceiling Unit



UMAT42HP230V1AF

42,000 BTUH 230v Floor/Ceiling Unit

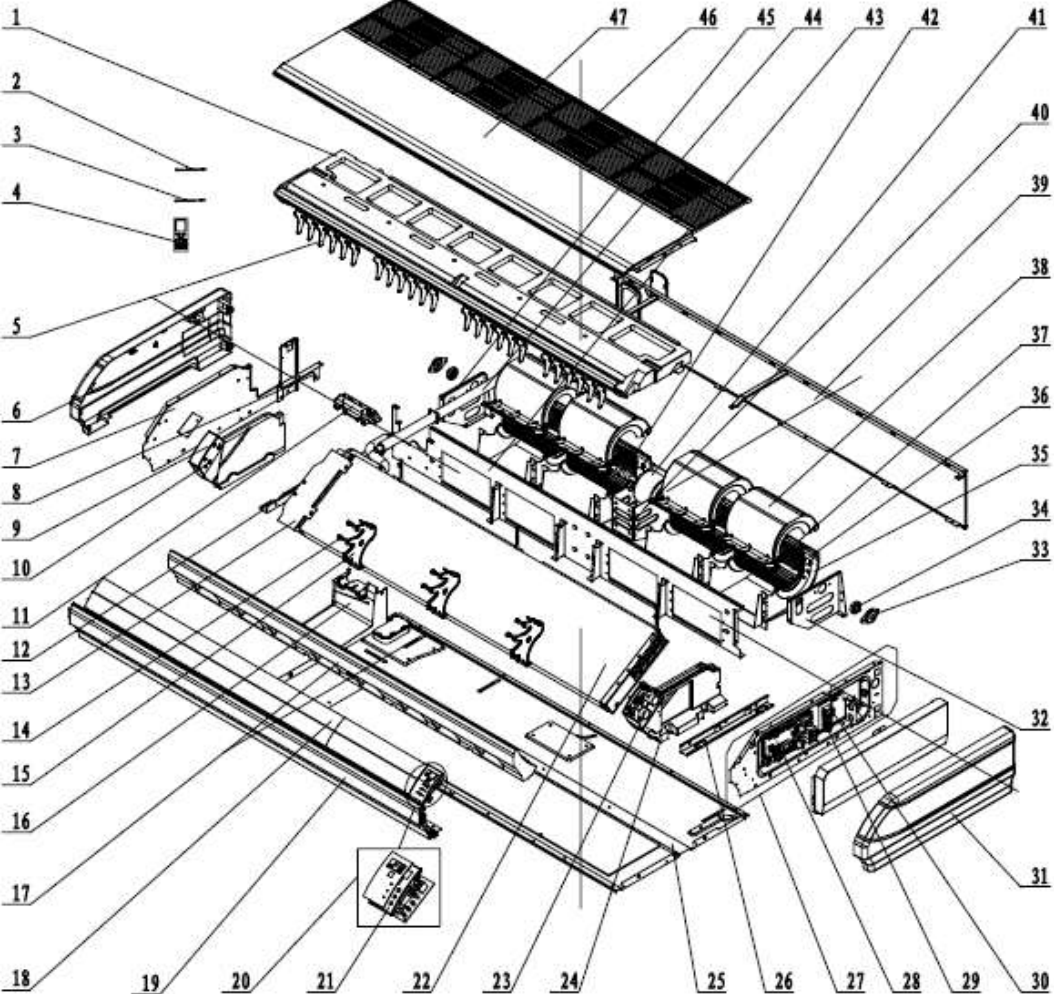
NO.	Part Code	Part Description	Qty
1	30510516	Remote Controller (YB1FA)	1
2	390001923	Tube Temperature Sensor	1
3	39000191	Ambient Temperature Sensor	1
4	10582008	Swing Lever	2
5	26909418	Air Louver	18
6	10582009	Swing Lever	2
7	26909422	Right Cover Plate	1
8	01809402	Installation Mounting Bracket	1
9	02229406	Connection Board	1
10	01319408	Right Side Plate Sub-Assy	1
11	12509425	Right Foam Assy	1
12	10542704	Axial Bushing	2
13	26909442	Water Releasing Flume Plate Board	1
14	26909441	Water Releasing Flume	1
15	01349413	Evaporator Connection Board	1
16	26909432	Guide Louver	2
17	26909430	Rotating Shaft	6
18	12509424	Front Connection Board Foam Assy	1
19	01349408P	Front Connection Board	1
20	26909409	Support	3
21	01319400005	Rear Side Plate Assy	1
22	26909426R	Fixed Mount	1
23	30294000009	Display Board	1
24	01029400049	Evaporator Coil Assy	1
25	26909413	Rotating Shaft	1
26	26909411	Connecting Rod	1
27	26909412	Rotating Shaft	1
28	1521240206	Stepper Motor	1
29	12509408	Left Foam Assy	1
30	01809401	Installation Mounting Bracket	1
31	01399400116	Electric Box Assy	1
32	30224000029	Main Control Board	1
33	4201025301	Terminal Board	1
34	42010178	Terminal Board	1
35	2690941601	Left Cover Plate	1
36	01809404	Bracket 1	1
37	76512404	Bearing O-Gasket	1
38	01792408	Motor Bearing Support	1
39	1041410101	Centrifugal Fan	3
40	01249400002	Clapboard Sub-Assy	1

UMAT42HP230V1AF (Cont.)
42,000 BTUH 230v Floor/Ceiling Unit

NO.	Part Code	Part Description	Qty
41	01349418	Rear Connection Board	1
42	26905208	Front Blower Housing	3
43	73018052	Rotary Axis Sub-Assy	1
44	73018731	Joint Slack	1
45	01809400029	Motor Support Sub-Assy	1
46	15705200005	Fan Motor	1
47	26909419	Rear Blower Housing	3
48	01289405	Condensate Water Tray Assy	1
49	01579402	Front Grille Sub-Assy	3
50	01269405	Top Cover Board Sub-Assy	1
51	05235434	Drain Pipe Sub-Assy	1

UMAT48HP230V1AF

48,000 BTUH 230v Floor/Ceiling Unit



UMAT48HP230V1AF

48,000 BTUH 230v Floor/Ceiling Unit

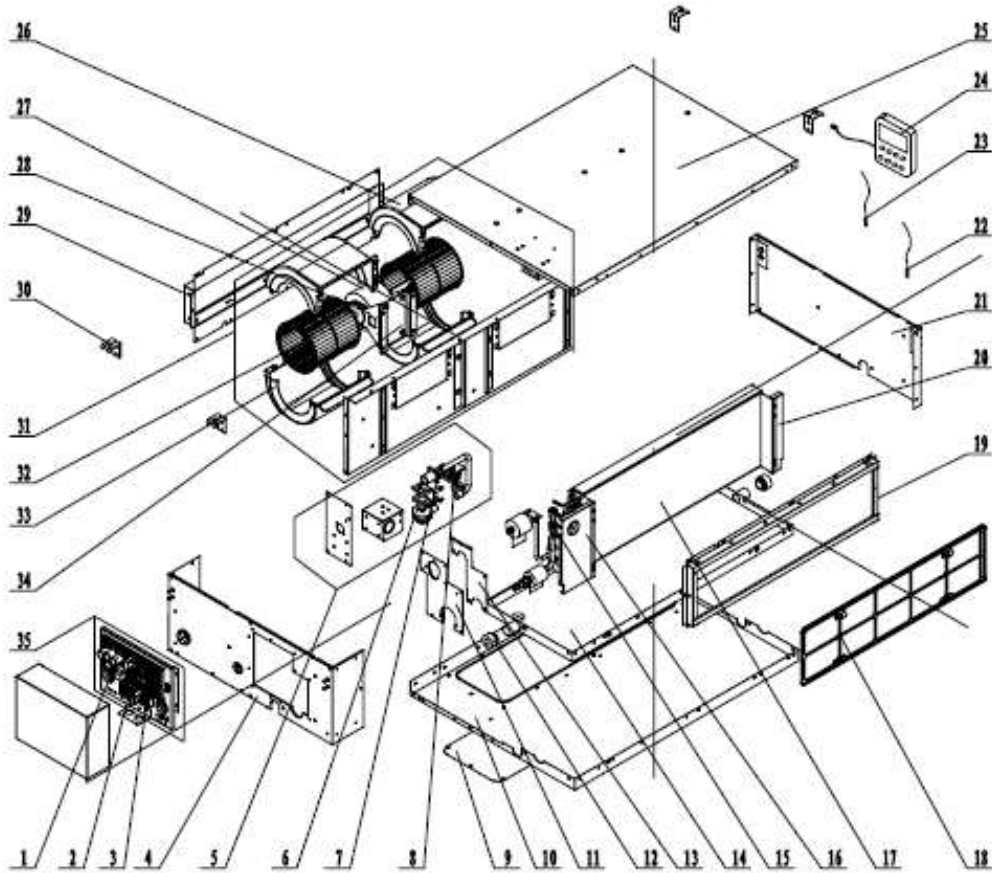
NO.	Part Code	Part Description	Qty
1	01289401	Condensate Water Tray Assy	1
2	3900020720G	Tube Temperature Sensor	1
3	39000191	Ambient Temperature Sensor	1
4	30510516	Remote Controller (YB1FA)	1
5	26909418	Air Louver	24
6	26909422	Right Cover Plate	1
7	01319408	Right Side Plate Sub-Assy	1
8	02229406	Connection Board	1
9	12509425	Right Foam Assy	1
10	10542704	Axial Bushing	2
11	26909442	Water Releasing Flume Plate Board	1
12	01809402	Installation Mounting Bracket	1
13	01349412	Evaporator Connected Board	1
14	26909430	Rotating Shaft	6
15	26909409	Support	3
16	26909441	Water Releasing Flume	1
17	12509434	Front Connection Board Foam Assy	1
18	10619405	Guide Louver	2
19	01349404P	Front Connection Board	1
20	30294000009	Display Board	1
21	26909426R	Fixed Mount	1
22	0102947101	Evaporator Coil Assy	1
23	1521240206	Stepper Motor	2
24	12509437	Left Foam Assy	1
25	01319442	Rear Side Plate Sub-Assy	1
26	01809421	Installation Mounting Bracket	1
27	01399400115	Electric Box Assy	1
28	30224000029	Main Control Board	1
29	4201025301	Terminal Board	1
30	42010178	Terminal Board	1
31	2690941601	Left Cover Plate	1
32	01809404	Bracket 1	1
33	01792408	Support Of Motor Bearing	2
34	76512404	Bearing O-Gasket	2
35	26905208	Front Blower Housing	4
36	73018052	Rotary Axis Sub-Assy	2
37	1041410101	Centrifugal Fan	4
38	26909419	Rear Blower Housing	4
39	01349419	Rear Connection board	1
40	0180940002901	Motor Support Sub-Assy	1

UMAT48HP230V1AF (Cont.)
48,000 BTUH 230v Floor/Ceiling Unit

NO.	Part Code	Part Description	Qty
41	15709400005	Fan Motor	1
42	73018731	Joint Slack	2
43	01249400006	Clapboard Sub-Assy	1
44	05235434	Drain Pipe Sub-Assy	1
45	01809403	Support	1
46	01579401	Front Grille Sub-Assy	4
47	01269400002	Top Cover Board Sub-Assy	1

UMAT18HP230V1AD

18,000 BTUH 230v Duct Unit



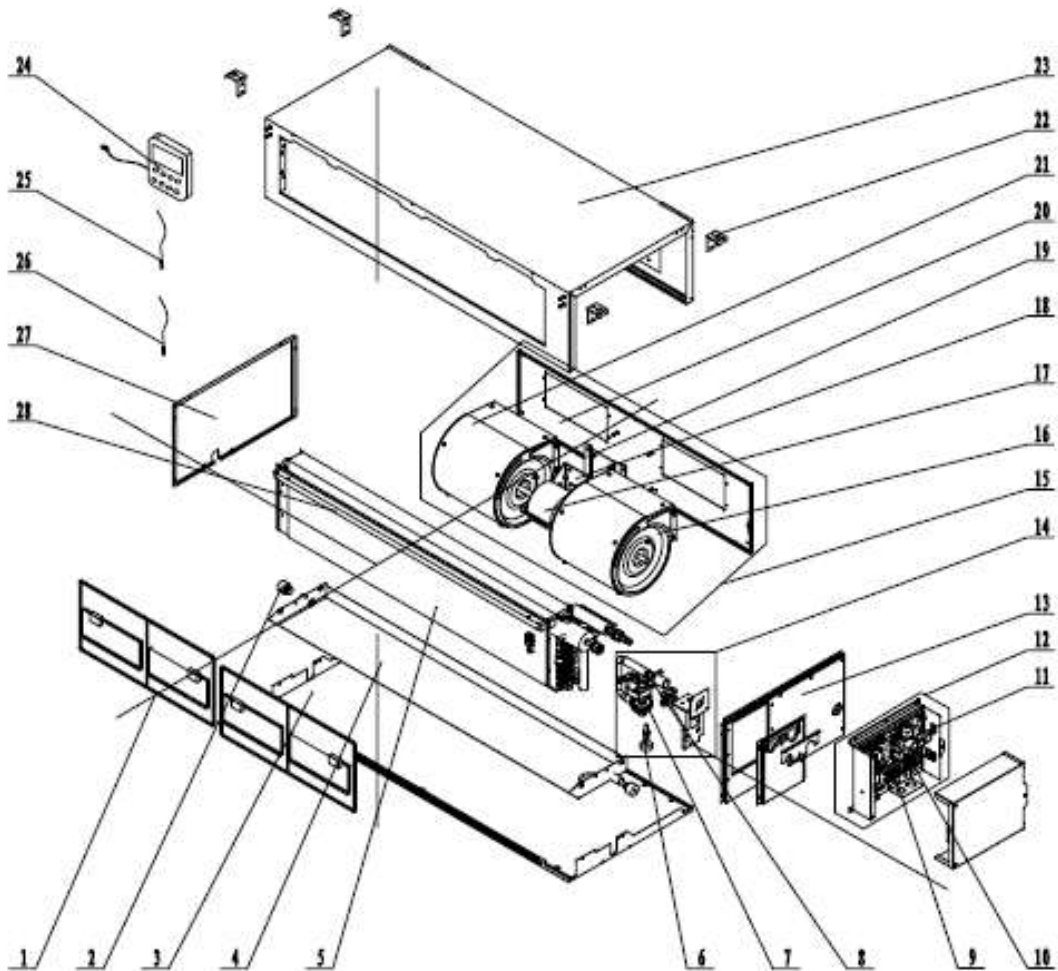
UMAT18HP230V1AD

18,000 BTUH 230v Duct Unit

NO.	Part Code	Part Description	Qty
1	30224000030	Main Control Board	1
2	42010194	Terminal Board	1
3	4201025301	Terminal Board	1
4	01315200098	Left Side Plate Assy	1
5	15405200075	Water Pump Assy	1
6	43138220	Water Pump	1
7	05235301	Water Pump Drain Pipe	1
8	45018012	Water Level Switch	1
9	01258650	Cover Of Air-In	1
10	01265409	Bottom Cover Plate	1
11	01494128	Left Side Plate Seal Sub-Assy	1
12	76712454	Water Pipe Plug	2
13	01498640	Connection Pipe Seal	1
14	01284166	Condensate Water Tray Assy	1
15	07212121	Strainer	1
16	01805200310	Evaporator Left Support Sub-Assy	1
17	01025394	Evaporator Coil Assy	1
18	11725202	Air Filter	1
19	02225234	Return Air Frame Side Plate Sub-Assy	1
20	01078625	Evaporator Right Support Sub-Assy	1
21	01315200077	Right Side Plate Sub-Assy	1
22	3900012123	Ambient Temperature Sensor	1
23	390001921G	Temperature Sensor	1
24	30294000007	Display Board	1
25	01265200095	Top Cover Board Sub-Assy	1
26	22202030	Front Blower Housing	2
27	15704100001	Fan Motor	1
28	01804100140	Support	1
29	01498641	Return Air Frame Sub-Assy	1
30	02112446	Hook	4
31	15405200031	Centrifugal Fan Assy	1
32	10319051	Centrifugal Fan	2
33	22202029	Bottom Blower Housing	2
34	01709056	Motor Support Sub-Assy	2
35	01395200452	Electric Box Assy	1
Not Shown	30294000007	XK-60 Wired Controller	1

UMAT24HP230V1AD

24,000 BTUH 230v Duct Unit



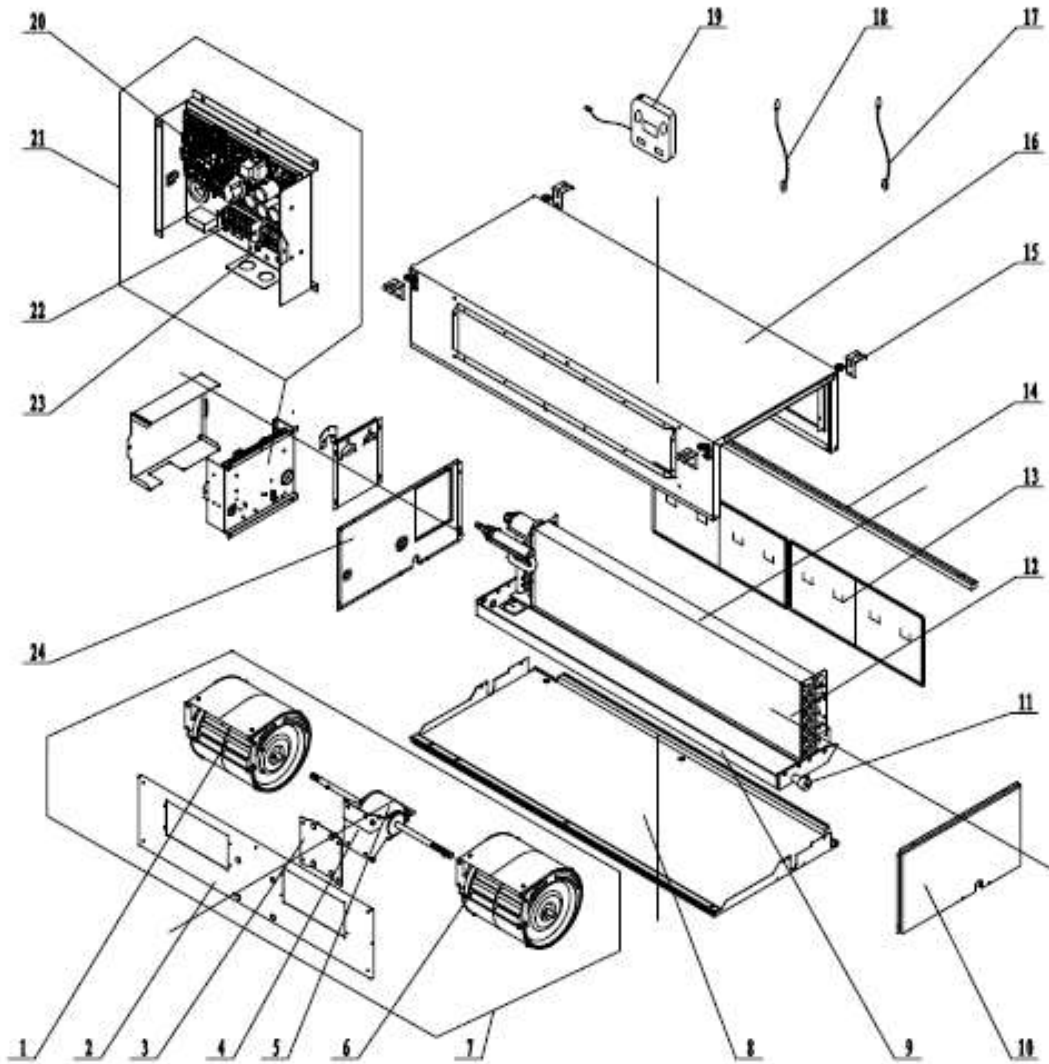
UMAT24HP230V1AD

24,000 BTUH 230v Duct Unit

NO.	Part Code	Part Description	Qty
1	11125303	Filter Sub-Assy	2
2	76712455	Drain Plug	2
3	01265304	Lower Cover Plate Sub-Assy	1
4	01285317	Condensate Water Tray Assy	1
5	01025200050	Evaporator Coil Assy	1
6	450127011	Water Level Switch	1
7	43138220	Water Pump	1
8	05235301	Water Pump Drain Pipe	1
9	42010194	Terminal Board	1
10	4201025301	Terminal Board	1
11	30224000030	Main Control Board	1
12	01395200453	Electric Box Assy	1
13	01315200057	Right Side Plate Sub-Assy	1
14	15405392	Water Pump Assy	1
15	15405200029	Centrifugal Fan Assy	1
16	15012458	Blower	1
17	15705200006	Fan Motor	1
18	01804100140	Support	1
19	01805200164	Support Sub-Assy	1
20	01325200039	Blower Mounting Plate Sub-Assy	1
21	15012454	Blower	1
22	02112446	Hook	4
23	01265226	Top Cover Board Assy	1
24	30294000007	Display Board	1
25	3900012123	Ambient Temperature Sensor	1
26	3900012128	Tube Sensor	1
27	01314155	Left Side Plate Assy	1
28	02285301	Filter Guide Frame Sub-Assy	1
Not Shown	30294000007	XK-60 Wired Controller	1

UMAT30HP230V1AD

30,000 BTUH 230v Duct Unit



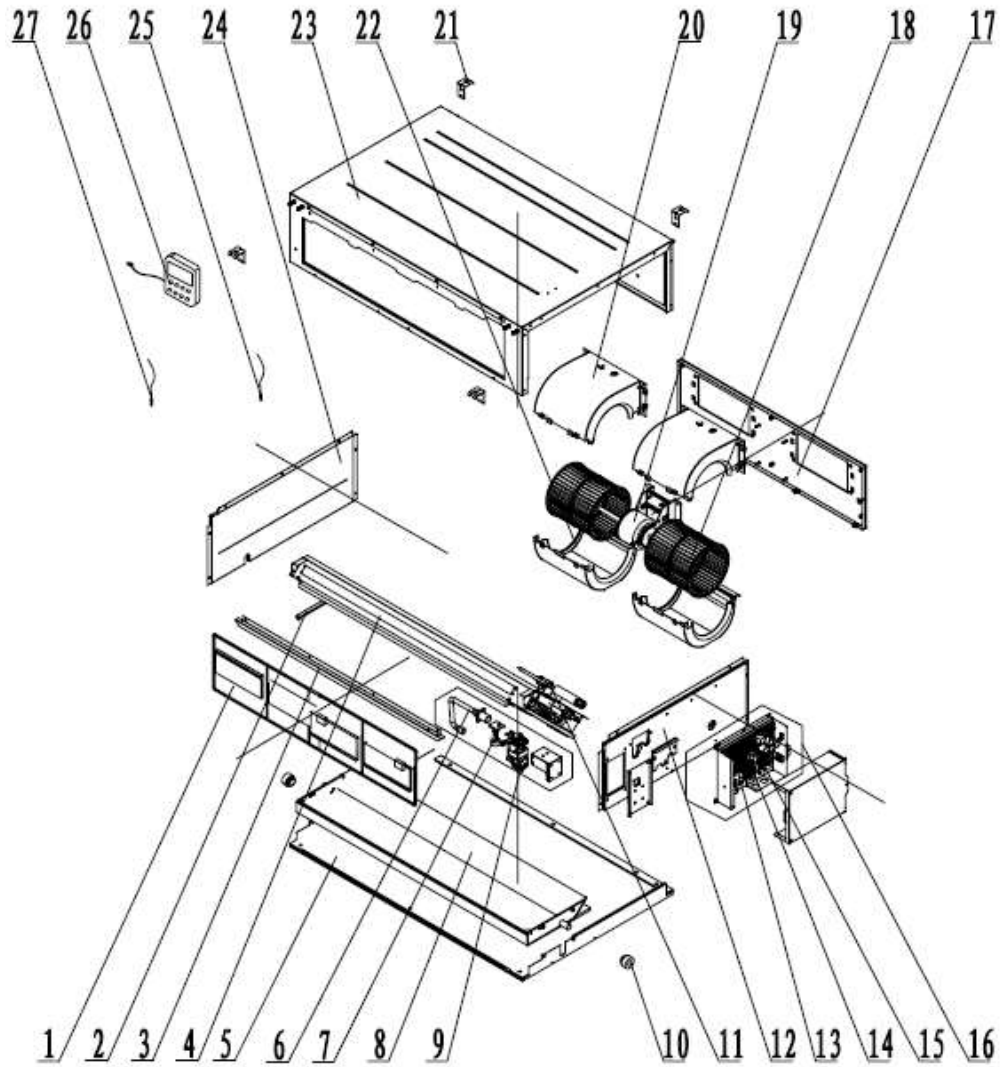
UMAT30HP230V1AD

30,000 BTUH 230v Duct Unit

NO.	Part Code	Part Description	Qty
1	15012454	Blower	1
2	01325200039	Blower Mounting Plate Sub-Assy	1
3	01805200164	Support Sub-Assy	1
4	01804100140	Support	1
5	15705200006	Fan Motor	1
6	15012458	Blower	1
7	15405200029	Centrifugal Fan Assy	1
8	01265304	Lower Cover Plate Sub-Assy	1
9	01285317	Condensate Water Tray Assy	1
10	01314155	Left Side Plate Assy	1
11	76712455	Drain Plug	1
12	01025200050	Evaporator Coil Assy	1
13	11125303	Air Filter	2
14	02285301	Filter Guide Frame Sub-Assy	1
15	02112446	Hook	4
16	01265226	Top Cover Board Assy	1
17	3900012128	Tube Sensor	1
18	3900012123	Ambient Temperature Sensor	1
19	30294000007	Display Board	1
20	30224000030	Main Control Board	1
21	01395200453	Electric Box Assy	1
22	42010194	Terminal Board	1
23	4201025301	Terminal Board	1
24	01315200057	Right Side Plate Sub-Assy	1
Not Shown	30294000007	XK-60 Wired Controller	1

UMAT36HP230V1AD

36,000 BTUH 230v Duct Unit

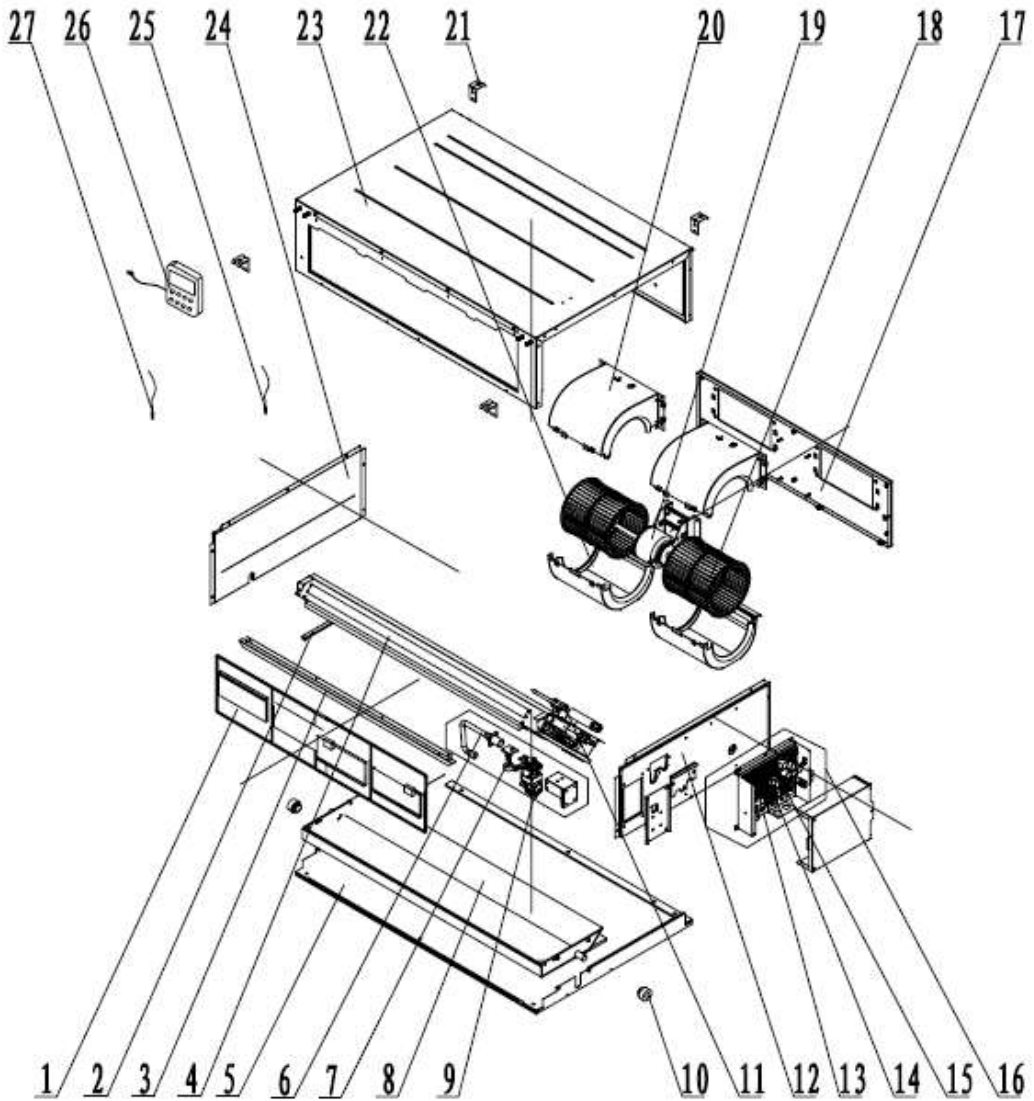


UMAT36HP230V1AD 36,000 BTUH 230v Duct Unit

NO.	Part Code	Part Description	Qty
1	111253031	Air Filter	2
2	018953022	Evaporator Supporting Board	1
3	01375301	Air Intake Side Plate	1
4	01025200052	Evaporator Coil Assy	1
5	15265301	Lower Cover Plate Sub-Assy	1
6	05235301	Water Pump Drain Pipe	1
7	4501801203	Water Level Switch	1
8	01285323	Water Tray Assy	1
9	43138220	Water Pump	1
10	76712455	Drain Plug	1
11	07220005	Strainer	1
12	01315200100	Right Side Plate Sub-Assy	1
13	30224000030	Main Control Board	1
14	42010194	Terminal Board	1
15	4201025301	Terminal Board	1
16	01395200453	Electric Box Assy	1
17	01325200044	Blower Mounting Plate Sub-Assy	1
18	10424100001	Centrifugal Fan	2
19	15709400006	Fan Motor	1
20	26904100051	Top Blower Housing	2
21	02112466	Hook	4
22	26904100052	Bottom Blower Housing	2
23	01265200086	Top Cover Board Assy	1
24	01315306	Left Side Plate Assy	1
25	390001921G	Temperature Sensor	1
26	30294000007	Display Board	1
27	3900012123	Ambient Temperature Sensor	1
Not Shown	30294000007	XK-60 Wired Controller	1

UMAT42HP230V1AD

42,000 BTUH 230v Duct Unit

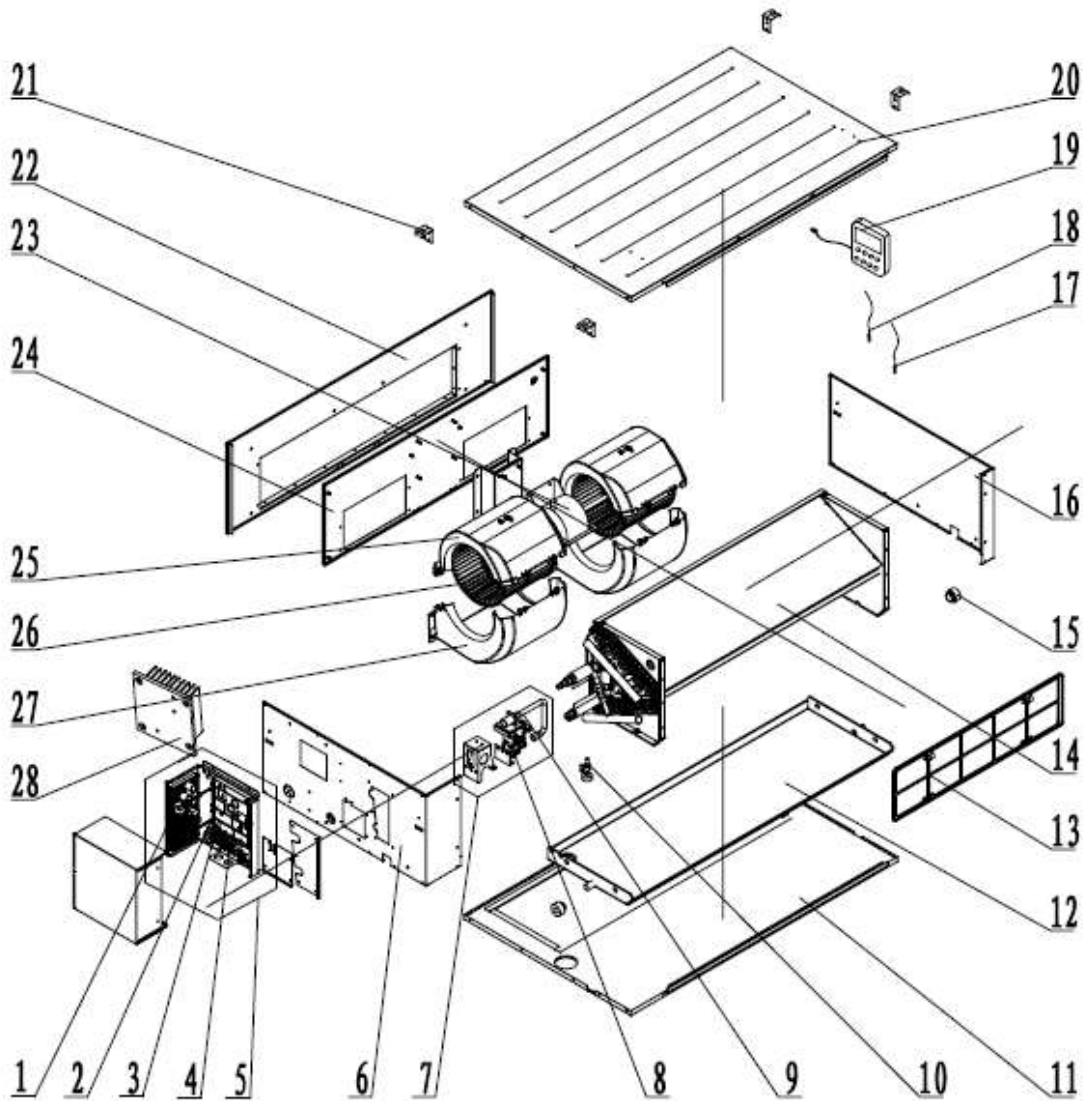


UMAT42HP230V1AD 42,000 BTUH 230v Duct Unit

NO.	Part Code	Part Description	Qty
1	111253031	Air Filter	2
2	018953022	Evaporator Supporting Board	1
3	01375301	Air Intake Side Plate	1
4	01025200052	Evaporator Coil Assy	1
5	15265301	Lower Cover Plate Sub-Assy	1
6	05235301	Water Pump Drain Pipe	1
7	4501801203	Water Level Switch	1
8	01285323	Condensate Water Tray Assy	1
9	43138220	Water Pump	1
10	76712455	Drain Plug	1
11	07220005	Strainer	1
12	01315200100	Right Side Plate Sub-Assy	1
13	30224000030	Main Control Board	1
14	42010194	Terminal Board	1
15	4201025301	Terminal Board	1
16	01395200453	Electric Box Assy	1
17	01325200044	Blower Mounting Plate Sub-Assy	1
18	10424100001	Centrifugal Fan	2
19	15709400006	Fan Motor	1
20	26904100051	Upper Blower Housing	2
21	02112466	Hook	4
22	26904100052	Lower Blower Housing	2
23	01265200086	Top Cover Board Assy	1
24	01315306	Left Side Plate Assy	1
25	390001921G	Temperature Sensor	1
26	30294000007	Display Board	1
27	3900012123	Ambient Temperature Sensor	1
Not Shown	30294000007	XK-60 Wired Controller	1

UMAT48HP230V1AD

48,000 BTUH 230v Duct Unit



UMAT48HP230V1AD 48,000 BTUH 230v Duct Unit

NO.	Part Code	Part Description	Qty
1	3022400039	Main Control Board	1
2	3022100011	Main Control Board	1
3	4201025301	Terminal Board	1
4	42010194	Terminal Board	1
5	01395200471	Electric Box Assy	1
6	01315200078	Right Side Plate Sub-Assy	1
7	15405200081	Water Pump Assy	1
8	4313822001	Water Pump	1
9	05235301	Water Pump Drain Pipe	1
10	4501270301	Water Level Switch	1
11	01265200045	Top Cover Board Assy	1
12	01285200025	Condensate Water Tray Assy	1
13	111253036	Air Filter	2
14	01025200055	Evaporator Coil Assy	1
15	76712455	Drain Plug	2
16	01315200064	Left Side Plate Sub-Assy	1
17	3900012123	Ambient Temperature Sensor	1
18	3900012128	Tube Sensor	1
19	30294000007	Display Board	1
20	01265200081	Bottom Cover Plate Assy	1
21	02205209	Hook	4
22	01315200091	Front Side Plate Sub-Assy	1
23	15709400008	Fan Motor	1
24	01325200057	Blower Mounting Plate Sub-Assy	1
25	26905200010	Upper Blower Housing	2
26	10425200002	Centrifugal Fan	2
27	26905200011	Lower Blower Housing	2
28	49018000068	Radiator	1
Not Shown	30294000007	XK-60 Wired Controller	1

