

Submittal Data: LIVV24HP230V1A 24000 BTU/H (208/230V) Wall Mounted Heat Pump System

Job Name	Location	Date
Purchaser	Engineer	
Submitted To	For	<input type="checkbox"/> Reference <input type="checkbox"/> Approval <input type="checkbox"/> Construction
Unit Designation	Schedule No.	

- GENERAL FEATURES**
- High Efficiency DC Inverter Technology
 - Compact and Quiet Design
 - Wireless Remote with LCD Display
 - Wi-Fi Ready (Kit Sold Separately) WSBE04
 - XE71 Wired Controller (Sold Separately)
 - Low Ambient Cool to 0° F
 - Heating down to -4°F
 - Blue Fin Condenser Coil
 - 5 year Limited Parts Warranty


System Ratings

Cooling			
Rated Capacity	Btu/hr		22000
Capacity Range	Btu/hr		5900 - 25200
Power Input (Max)	W		2500
SEER			19
EER			10.95
Heating at 47° F			
Rated Capacity	Btu/hr		24000
Capacity Range	Btu/hr		4500 - 25900
Power Input (Max)	W		2900
HSPF			10
COP			3.4
Heating at 17° F			
Rated Capacity	Btu/hr		15000
Operating Range			
Cooling	(Max)	115	(46 C)
	(Min)	0	(-18 C)
Heating	(Max)	75	(24 C)
	(Min)	-4	(-20 C)

Indoor Unit Data

Fan Motor	Type	Cross-Flow
	Output Power	W 70
	FLA	A 0.55
Airflow	Turbo / Hi / Med / Lo	CFM 677 / 588 / 471 / 412
Sound Pressure Level	Turbo / Hi / Med / Lo	Clg dB(A) 49 / 45 / 41 / 37
		Htg dB(A) 47 / 43 / 38 / 36
Dehumidification		Pints/hr 4.23

Refrigerant Piping Data

Gas Pipe Size (OD) Flared	in	5/8
Liquid Pipe Size (OD) Flared	in	1/4
Connection Method		Flared
Factory Charge		52.9 oz
Additional Charge		0.5 oz
Pre-Charge Length		25 ft
MAX Refrigerant Pipe Length		82 ft
MIN Refrigerant Pipe Length		10 ft
MAX Refrigerant Pipe Elevation		33 ft

Outdoor Unit Data

Compressor	Type	DC Inverter Driven Rotary
	RLA	A 13
Refrigerant Type		R410A
Fan Motor	Output Power	W 60
	FLA	A 0.65

Sound Pressure Level	Cooling/Heating	dB(A) 59
-----------------------------	-----------------	----------

Electrical Data

Power Supply	Normal Operational Voltage	208/230 V, 1 Ph, 60 Hz
	Voltage Range	V 187 - 253
	MCA	A 19
	MOCP/Breaker Size	A 30
	Main Power Wire Size	14-2 AWG



SYSTEM FEATURES	
Inverter Type	G10
Ultra Low Frequency Torque Control	Yes
Power Factor Correction	Yes
Compressor Type	High Eff. Rotary
Refrigerant Type	R410A
Basepan With Electric Heater	YES
Compressor With Electric Heater	YES
Outdoor Fin Coating (Color: Blue)	Acrylic-Resin/Anti-Corrosive
Intelligent Defrosting	YES
Force Defrosting	YES
Intelligent Preheating	YES
Low Voltage Startup	YES
Memory/Power Failure Recovery	YES
Self Diagnosis	YES
Wired Controller Interface (XE71)	YES
Wi-Fi Interface Capable (Optional)	WSBEC04
Indoor Fan Type	Crossflow
Multi Fan Speeds	4 Speeds
Indoor Unit Display	YES
Advance Filter	Optional
Auxiliary Electrical Heater	NO
Ventilation (Outdoor Air)	NO

REMOTE CONTROLLER FUNCTIONS	
Auto Mode	YES
Auto Fan	YES
Manual Horizontal Swing	YES
Auto Swing (Vertical Auto Swing)	YES
Clock on Remote Controller	YES
Dry Mode	YES
Dry Anti-Mildew (X-Fan) Mode	YES
Energy Saving Mode	YES
Dirty Filter Alert	NO
I Feel Function	YES
Lock on Remote Controller	YES
Quiet Mode	NO
Room Temperature Display	YES
Sleep Mode	YES
Timer Mode	YES
Turbo Mode	YES
Display On/Off Control	YES
Freeze Guard Mode (46 °F)	YES
Display On/Off Control	YES

EXTENDED RATINGS

LIVV24HP230V1A

COOLING PERFORMANCE (BtuH)*

Outdoor Ambient Temperature (DB)	Indoor Entering Air Temperatures					
	68F DB		73°F DB		80°F DB	
	57F WB		61°FWB		67°FWB	
	TC	SHC	TC	SHC	TC	SHC
0°F	7480	5423	9240	6699	11000	7975
5°F	8580	6263	10340	7548	12100	8833
17°F	9680	7115	11440	8408	13200	9702
23°F	10120	7489	11880	8791	13640	10094
32°F	10560	7867	12320	9178	14080	10490
41°F	11880	8910	13640	10230	15400	11550
50°F	13200	9966	14960	11295	16720	12624
57°F	14080	10701	15840	12038	17600	13376
67°F	14740	11276	16500	12623	18260	13969
75°F	18480	14230	20240	15585	22000	16940
86°F	20460	15857	22220	17221	23980	18585
95°F	18480	14414	20240	15787	22000	17160
104°F	16280	12780	18040	14161	19800	15543
113°F	14960	11818	16720	13209	18480	14599
122°F	12760	10144	14520	11543	16280	12943

HEATING PERFORMANCE (BtuH)*

Outdoor Ambient Temperature (DB)	Indoor Entering Air Temperatures								
	68°F DB			70°F DB			80°F DB		
	57°FWB			60°FWB			67°FWB		
	TC	Power Input (KW)	COP	TC	Power Input (KW)	COP	TC	Power Input (KW)	COP
-5°F	11040	1658	1.95	11520	1691	2.00	12000	1725	2.04
0°F	12720	1691	2.20	13200	1726	2.24	13680	1760	2.28
5°F	13440	1726	2.28	13920	1761	2.32	14400	1796	2.35
10°F	13920	1761	2.32	14400	1797	2.35	14880	1833	2.38
17°F	15520	1797	2.53	16000	1834	2.56	16480	1870	2.58
19°F	16320	1834	2.61	16800	1871	2.63	17280	1909	2.65
24°F	18720	1871	2.93	19200	1909	2.95	19680	1947	2.96
32°F	20640	1909	3.17	21120	1948	3.18	21600	1987	3.19
41°F	22320	1948	3.36	22800	1988	3.36	23280	2028	3.36
43°F	23040	1988	3.40	23520	2029	3.40	24000	2069	3.40
47°F	23520	2029	3.40	24000	2070	3.40	24480	2111	3.40
53°F	23760	2089	3.33	24240	2132	3.33	24720	2175	3.33
59°F	24000	2152	3.27	24480	2196	3.27	24960	2240	3.27
64°F	24720	2217	3.27	25200	2262	3.27	25680	2307	3.26
70°F	25440	2283	3.27	25920	2330	3.26	26400	2376	3.26
75°F	26160	2352	3.26	26640	2400	3.25	27120	2448	3.25
78°F	27120	2422	3.28	27600	2472	3.27	28080	2521	3.26

* Maximum system capacity

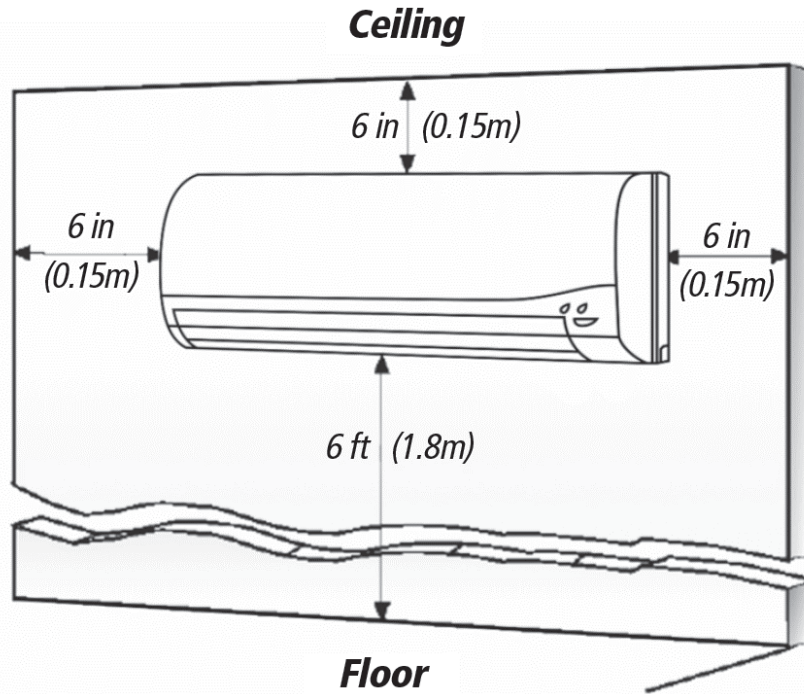
TC- Total Capacity (BtuH)

COP- Coefficient of Performance

MINIMUM SPACING REQUIREMENTS

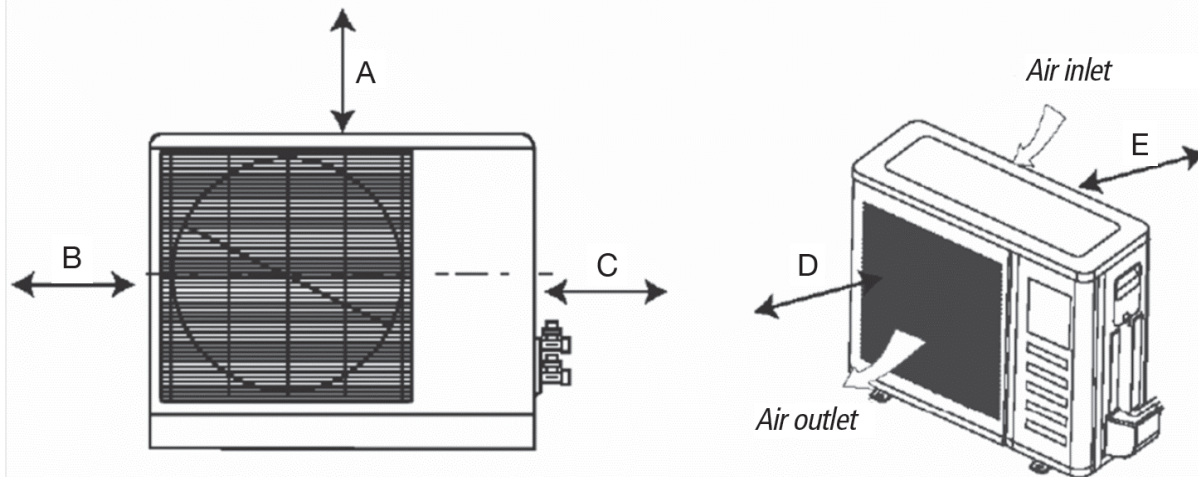
Units: inch (m)

INDOOR



OUTDOOR

Minimum Outdoor Clearances



	Minimum Distance
A	20 (500)
B	12 (305)
C	20 (500)
D	78 (1980)
E	12 (305)

Units: inch (mm)

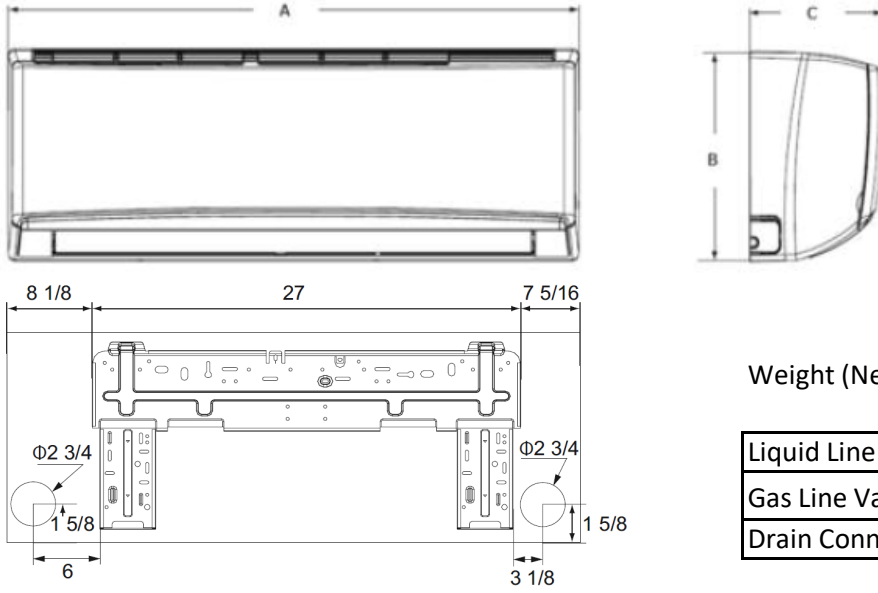
DIMENSIONAL SPECIFICATIONS

LIVV24HP230V1A

INDOOR UNIT DIMENSIONS

Units: inch

Model No: LIVV24HP230V1AH



Dimensions	
A	42 1/4
B	12 3/4
C	9 5/8

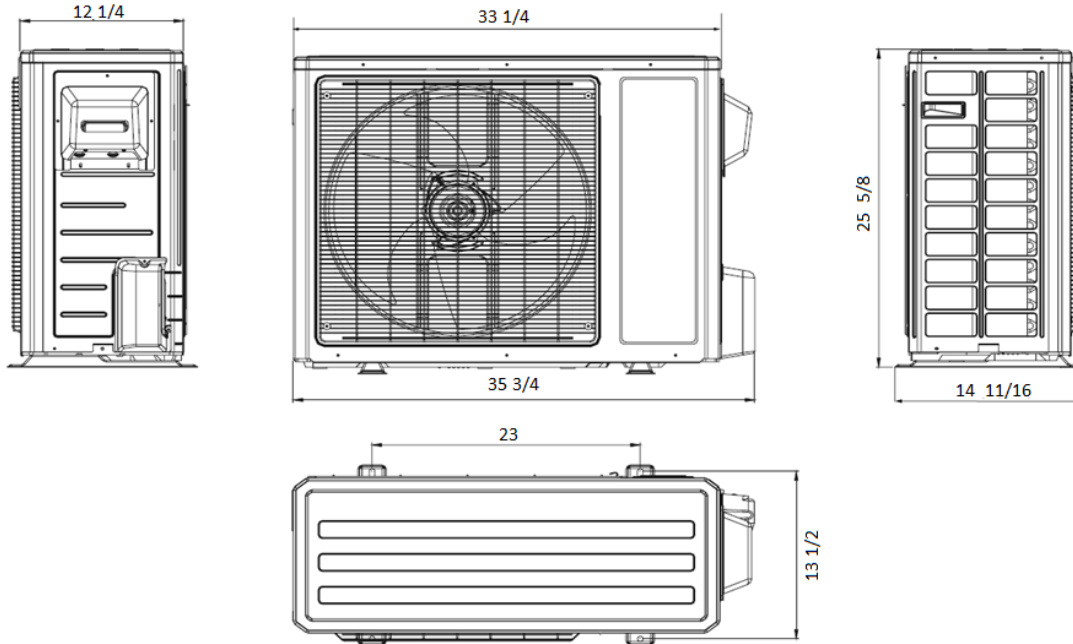
Weight (Net/Gross) 36.4/45.2 lbs

Liquid Line Valve	1/4-in OD Flared
Gas Line Valve	5/8-in OD Flared
Drain Connector	5/8-in OD

OUTDOOR UNIT DIMENSIONS

Units: inch

Model No: LIVV24HP230V1AO



Weight (Net/Gross) 97/103.6 lbs

Liquid Line Valve	1/4-in OD Flared
Gas Line Valve	5/8-in OD Flared

Notes:

1. Recommended Interconnecting Cable Type 14 AWG 4 Stranded Copper Conductors THHN 600V Wire
2. Power wiring cable size must comply with applicable national and local codes.
3. Test conditions are based on AHRI 210/240.

Specifications are subject to change without notice. Manufacturer reserves the right to discontinue or modify specifications or designs without notice or without incurring obligations. All rights reserved.