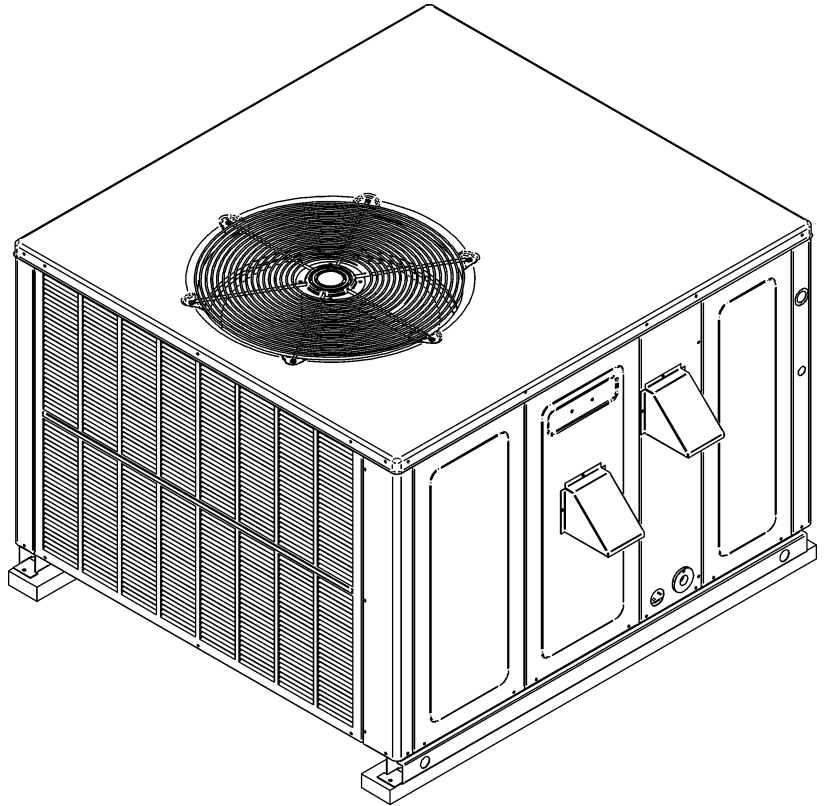


GPG13 "M" Series Package Gas Unit

GPG1324045M41AA
GPG1324070M41AA
GPG1330045M41AA
GPG1330070M41AA
GPG1336045M41AA
GPG1336070M41AA
GPG1336090M41AA
GPG1336090M43AA
GPG1342070M41AA
GPG1342090M41AA
GPG1348070M41AA
GPG1348090M41AA
GPG1348090M43AA
GPG1348115M41AA
GPG1360090M41AA
GPG1360090M43AA
GPG1360115M41AA
GPG1360140M41AA
GPG1360140M43AA



This manual is to be used by qualified technicians only.

This manual replaces RP-578.

© 2009,2014 Goodman Company, L.P. ♦ 5151 San Felipe St., Suite 500 ♦ Houston, TX 77056

Important Information

Index

Functional Parts List	3
Illustration and Parts	4 - 15

Views shown are for parts illustrations only, not servicing procedures

Per request from Service Parts Engineer: removed 0231K00039 from GPG1348115M41AA.

Text Codes:

AR - As Required

NA - Not Available

NS - Not Shown

00000000 - See Note

QTY - Quantity Example (QTY 3) (If Quantity not shown, Quantity = 1)

M - Model Example (M1) (If M Code not shown, then part is used on all Models)

Expanded Model Nomenclature:

Example M1 - Model#1 M2 - Model#2 M3 - Model#3

Goodman Company, L.P. is not responsible for personal injury or property damage resulting from improper service. Review all service information before beginning repairs.

Warranty service must be performed by an authorized technician, using authorized factory parts. If service is required after the warranty expires, Goodman Company, L.P. also recommends contacting an authorized technician and using authorized factory parts.

Goodman Company, L.P. reserves the right to discontinue, or change at any time, specifications or designs without notice or without incurring obligations.

For assistance within the U.S.A. contact:

Consumer Affairs Department

Goodman Company, L.P.

7401 Security Way

Houston, Texas 77040

877-254-4729-Telephone

713-863-2382-Facsimile

For assistance outside the U.S.A. contact:

International Division

Goodman Company, L.P.

7401 Security Way

Houston, Texas 77040

713-861-2500-Telephone

713-863-2382-Facsimile

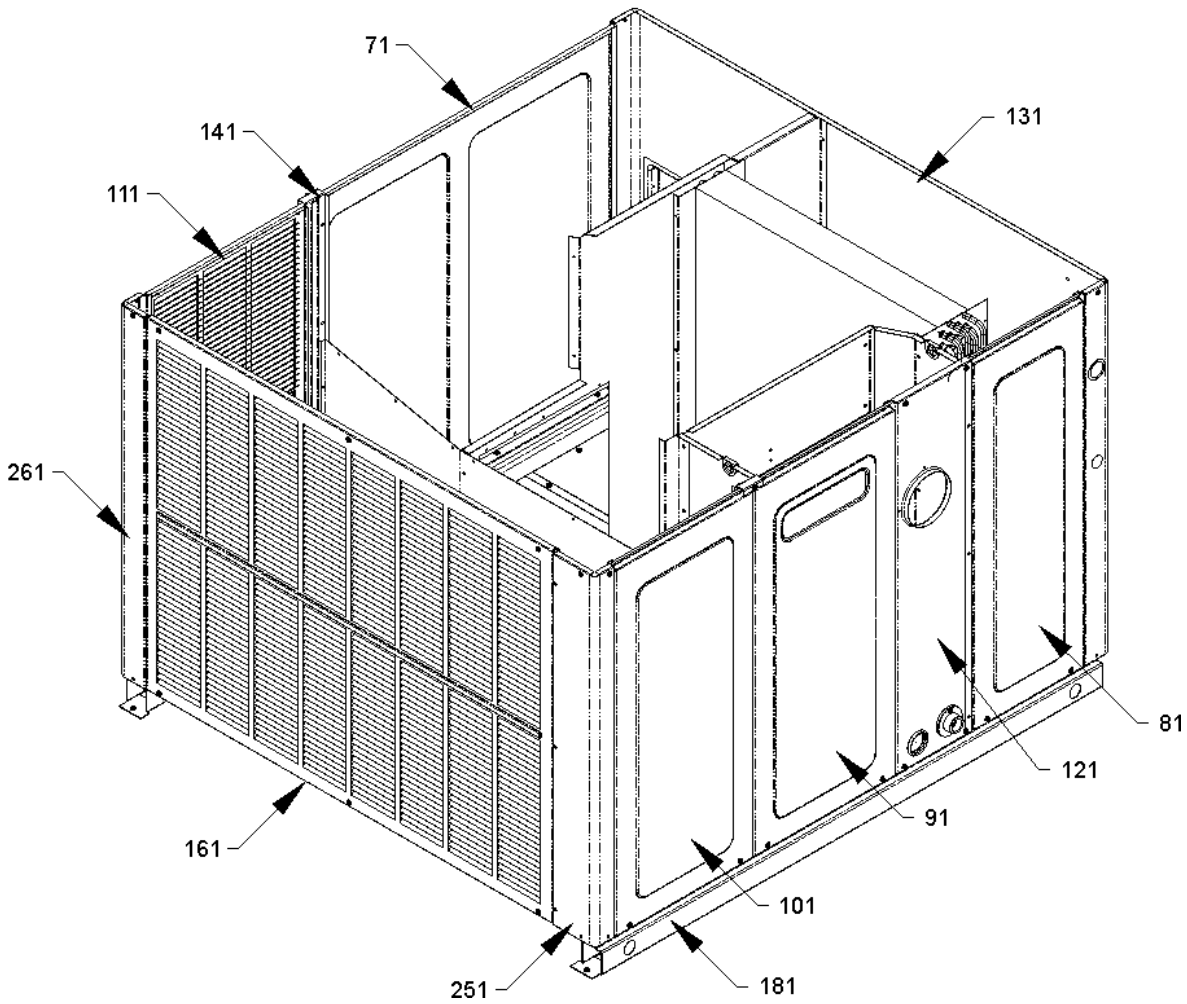
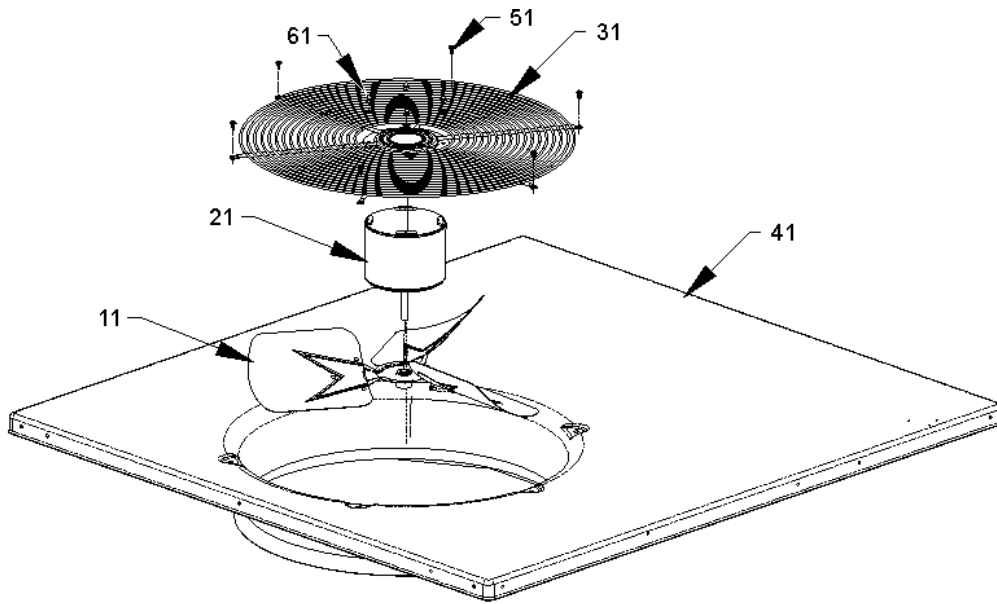
Functional Parts

Part

No: Description:

Part No:	Description:	Expanded Model Nomenclature
B1370751	24V RELAY (M11, M12, M13, M14, M15, M16, M17, M18, M19)	M1 - GPG1324045M41AA
0131M00522	BLOWER MOTOR - 1 HP PROGRAMMED SELEC (M15, M16, M17, M18, M19)	M2 - GPG1324070M41AA
0131M00527	BLOWER MOTOR - 1 HP PROGRAMMED SELEC (M11, M12, M13, M14)	M3 - GPG1330045M41AA
11091202	BLOWER MOTOR 1/3 HP, 3 SP, 6 PL (M3, M4)	M4 - GPG1330070M41AA
11091203	BLOWER MOTOR 1/3 HP, 3 SP, 6 PL (M5, M6, M7, M8, M9, M10)	M5 - GPG1336045M41AA
11091207	BLOWER MOTOR 1/4 HP, 3 SP, 8 PL (M1, M2)	M6 - GPG1336070M41AA
CAP100000370LA	CAPACITOR 10/370V (M1, M2, M3, M4, M5, M6, M7, M8, M9, M10)	M7 - GPG1336090M41AA
CAP050350440CS	CAPACITOR 5/35/440V (M1, M2, M3, M4)	M8 - GPG1336090M43AA
CAP050000370LA	CAPACITOR 5/370V (M8, M13, M16, M19)	M9 - GPG1342070M41AA
CAP050450440CT	CAPACITOR 5/45/440V/DUAL RD (M5, M6, M7, M9, M10, M11, M12, M14)	M10 - GPG1342090M41AA
CAP050700440CT	CAPACITOR 5/70/440V/DUAL RD (M15, M17, M18)	M11 - GPG1348070M41AA
ZP31K5EPFV130	COMPRESSOR 31100, 208/230/60/1 (M5, M6, M7)	M12 - GPG1348090M41AA
ZP31K5ETF5130	COMPRESSOR 31200, 200/230/60/3 (M8)	M13 - GPG1348090M43AA
ZP34K5EPFV130	COMPRESSOR 34500, 208/230/60/1 (M9, M10)	M14 - GPG1348115M41AA
ZP39K5ETF5130	COMPRESSOR 39000, 200/230/60/3 (M13)	M15 - GPG1360090M41AA
ZP39K5EPFV130	COMPRESSOR 39000, 208/230/60/1 (M11, M12, M14)	M16 - GPG1360090M43AA
ZP51K5EPFV130	COMPRESSOR 51000, 208/230/60/1 (M15, M17, M18)	M17 - GPG1360115M41AA
ZP51K5ETF5130	COMPRESSOR 51000, 208/230/60/3 (M16, M19)	M18 - GPG1360140M41AA
760001-2001-20	COMPRESSOR, BRISTOL (M1, M2)	M19 - GPG1360140M43AA
760005-2001-20	COMPRESSOR, BRISTOL (M3, M4)	
0131M00061	COND MOTOR 1/4 HP, 1 SP, 8 PL (M1, M2, M5, M6, M7, M8)	
0131M00429	COND MOTOR 1/4 HP, 1 SP, 6 PL (M3, M4, M9, M10, M11, M12, M13, M14, M15, M16, M17, M18, M19)	
CONT1P025024V	CONTACTOR 25 AMP, 1P, 24V (M1, M2, M3, M4, M5, M6, M7)	
CONT3P025024V	CONTACTOR 25 AMP, 3P, 24V (M8, M13, M16, M19)	
CONT1P030024V	CONTACTOR 30 AMP, 1P, 24V (M9, M10, M11, M12, M14, M15, M17, M18)	
0130M00018	CUT-OUT SWITCH, HIGH PRESSURE	
0130F00010	FLAME SENSOR	
B1282628	GAS VALVE (36G) (M1, M2, M3, M4, M5, M6, M7, M8, M9, M10, M11, M12, M13, M14, M15, M16, M17)	
0131G00000P	ID BLOWER	
PCBAG123	IGNITION BOARD, DSI INTEGRATED (M1, M2, M3, M4, M5, M6, M7, M9, M10, M11, M12, M14, M15, M17, M18)	
0130F00014	IGNITOR	
10728342	LIMIT SWITCH (M1, M2, M3, M4)	
10728343	LIMIT SWITCH (M5, M6, M7, M18, M19)	
10728344	LIMIT SWITCH (M8, M9, M10, M11, M12, M13, M14, M15, M16, M17)	
10123529	MANUAL RESET LIMIT-GREEN	
10716003	ORIFICE (QTY A/R)	
0130M00138	TRANSFORMER 208/230, 24V	

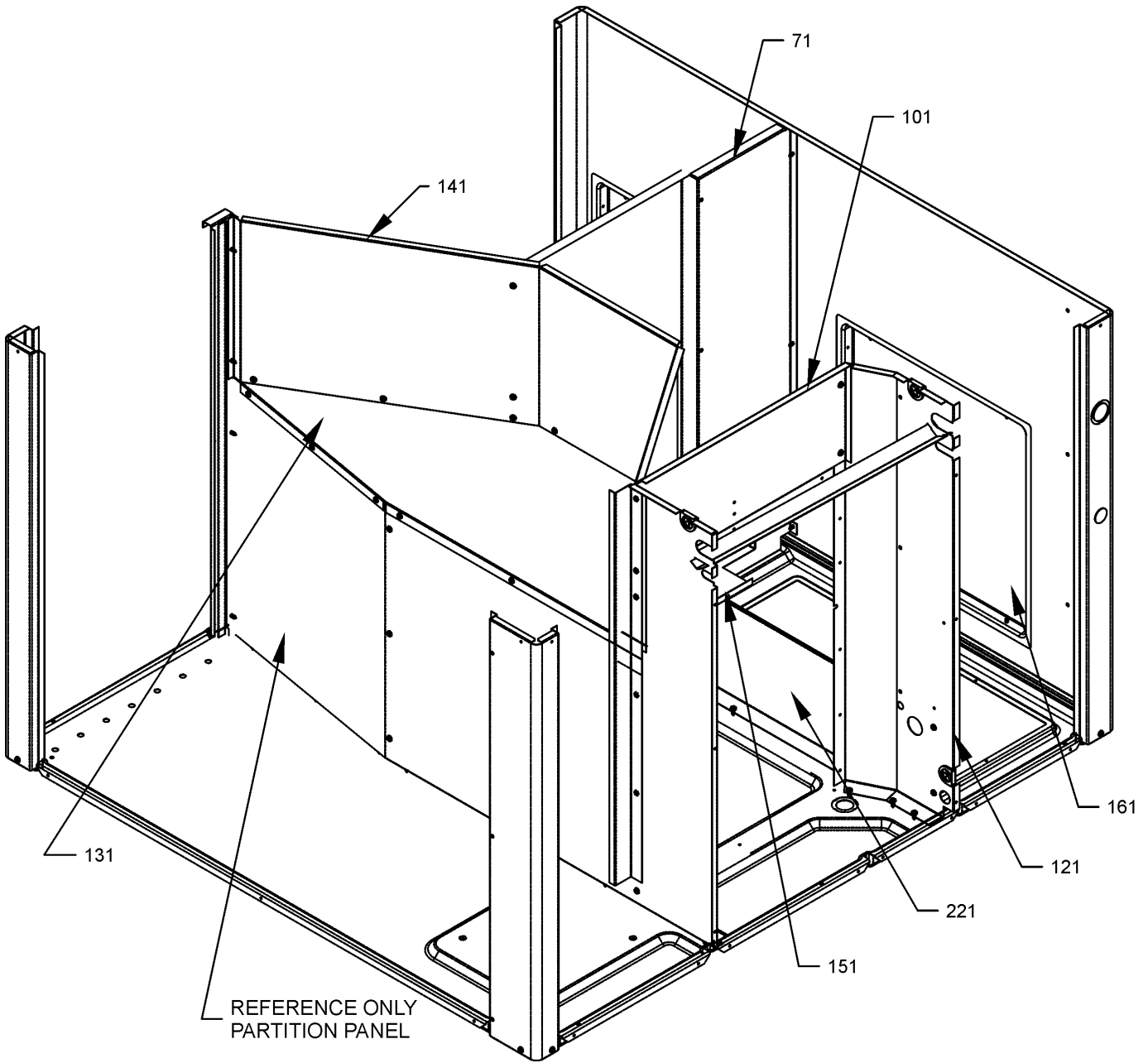
Top Panel/Fan/Cabinet



Top Panel/Fan/Cabinet

Ref. Part No: No:	Description:	Ref. Part No: No:	Description:																			
Image 1:		Image 1:																				
11	0150M00016 FAN BLADE (M1, M2)	NS	0121G00190 FLUE HOOD-LOWER																			
11	B1086775 FAN BLADE (M3, M4)	NS	B1910012 GAS LINE GROMMET																			
11	0150G00002 FAN BLADE SWEPT-WING (M5, M6, M7, M8)	NS	B10259251 GOODMAN LABEL																			
11	0150G00003 FAN BLADE SWEPT-WING (M9, M10, M11, M12, M13, M14, M15, M16, M17, M18, M19)	NS	17788000083F PVC CONDUIT 8.25"																			
21	0131M00061 COND MOTOR 1/4 HP, 1 SP, 8 PL (M1, M2, M5, M6, M7, M8)	Expanded Model Nomenclature																				
21	0131M00429 COND MOTOR 1/4 HP, 1 SP, 6 PL (M3, M4, M9, M10, M11, M12, M13, M14, M15, M16, M17, M18, M19)	<table border="1"> <tr><td>M1 - GPG1324045M41AA</td></tr> <tr><td>M2 - GPG1324070M41AA</td></tr> <tr><td>M3 - GPG1330045M41AA</td></tr> <tr><td>M4 - GPG1330070M41AA</td></tr> <tr><td>M5 - GPG1336045M41AA</td></tr> <tr><td>M6 - GPG1336070M41AA</td></tr> <tr><td>M7 - GPG1336090M41AA</td></tr> <tr><td>M8 - GPG1336090M43AA</td></tr> <tr><td>M9 - GPG1342070M41AA</td></tr> <tr><td>M10 - GPG1342090M41AA</td></tr> <tr><td>M11 - GPG1348070M41AA</td></tr> <tr><td>M12 - GPG1348090M41AA</td></tr> <tr><td>M13 - GPG1348090M43AA</td></tr> <tr><td>M14 - GPG1348115M41AA</td></tr> <tr><td>M15 - GPG1360090M41AA</td></tr> <tr><td>M16 - GPG1360090M43AA</td></tr> <tr><td>M17 - GPG1360115M41AA</td></tr> <tr><td>M18 - GPG1360140M41AA</td></tr> <tr><td>M19 - GPG1360140M43AA</td></tr> </table>		M1 - GPG1324045M41AA	M2 - GPG1324070M41AA	M3 - GPG1330045M41AA	M4 - GPG1330070M41AA	M5 - GPG1336045M41AA	M6 - GPG1336070M41AA	M7 - GPG1336090M41AA	M8 - GPG1336090M43AA	M9 - GPG1342070M41AA	M10 - GPG1342090M41AA	M11 - GPG1348070M41AA	M12 - GPG1348090M41AA	M13 - GPG1348090M43AA	M14 - GPG1348115M41AA	M15 - GPG1360090M41AA	M16 - GPG1360090M43AA	M17 - GPG1360115M41AA	M18 - GPG1360140M41AA	M19 - GPG1360140M43AA
M1 - GPG1324045M41AA																						
M2 - GPG1324070M41AA																						
M3 - GPG1330045M41AA																						
M4 - GPG1330070M41AA																						
M5 - GPG1336045M41AA																						
M6 - GPG1336070M41AA																						
M7 - GPG1336090M41AA																						
M8 - GPG1336090M43AA																						
M9 - GPG1342070M41AA																						
M10 - GPG1342090M41AA																						
M11 - GPG1348070M41AA																						
M12 - GPG1348090M41AA																						
M13 - GPG1348090M43AA																						
M14 - GPG1348115M41AA																						
M15 - GPG1360090M41AA																						
M16 - GPG1360090M43AA																						
M17 - GPG1360115M41AA																						
M18 - GPG1360140M41AA																						
M19 - GPG1360140M43AA																						
31	0152G00003 FAN GRILLE																					
41	0121G00156PDG TOP PANEL																					
51	M0221817 SMALL SCREW (QTY 6)																					
61	0163M00006P ACORN NUT 5/16 HEX BLACK (QTY 4)																					
71	20464801PDG BLOWER DOOR 32" (M1, M2, M3, M4, M5, M6, M7)																					
71	20464806PDG BLOWER DOOR 40" (M8, M9, M10, M11, M12, M13, M14, M15, M16, M17, M18, M19)																					
81	20464802PDG EVAP/CONTROL DOOR 32" (M1, M2, M3, M4, M5, M6, M7)																					
81	20464807PDG EVAP/CONTROL DOOR 40" (M8, M9, M10, M11, M12, M13, M14, M15, M16, M17, M18, M19)																					
91	0121G00526DG DOOR-HT EXCHANGE 32 (M1, M2, M3, M4, M5, M6, M7)																					
91	0121G00527DG DOOR-HT EXCHANGE 38 (M8, M9, M10, M11, M12, M13, M14, M15, M16, M17, M18, M19)																					
101	20464804PDG COMPRESSOR DOOR 32" (M1, M2, M3, M4, M5, M6, M7)																					
101	20464809PDG COMPRESSOR DOOR 40" (M8, M9, M10, M11, M12, M13, M14, M15, M16, M17, M18, M19)																					
111	20467701PDG LOUVERED PANEL, COND SIDE 32" (M1, M2, M3, M4, M5, M6, M7)																					
111	20467702PDG LOUVERED PANEL, COND SIDE 40" (M8, M9, M10, M11, M12, M13, M14, M15, M16, M17, M18, M19)																					
121	20466101PDG UTILITY PANEL 32" (M1, M2, M3, M4, M5, M6, M7)																					
121	20466102PDG UTILITY PANEL 40" (M8, M9, M10, M11, M12, M13, M14, M15, M16, M17, M18, M19)																					
131	0121G00442DG PNL, DUCT, GAS 32.5" (M1, M2, M3, M4, M5, M6, M7)																					
131	0121G00443DG PNL, DUCT, GAS 40" (M8, M9, M10, M11, M12, M13, M14, M15, M16, M17, M18, M19)																					
141	0121G00460 SIDE SUPPORT POST (M1, M2, M3, M4, M5, M6, M7)																					
141	0121G00462 SIDE SUPPORT POST (M8, M9, M10, M11, M12, M13, M14, M15, M16, M17, M18, M19)																					
161	20464401PDG LOUVERED PANEL, COND SIDE 32" (M1, M2, M3, M4, M5, M6, M7)																					
161	20464402PDG LOUVERED PANEL, COND SIDE 40" (M8, M9, M10, M11, M12, M13, M14, M15, M16, M17, M18, M19)																					
251	20464201PDG CORNER POST-COMP END 32" (M5, M6, M7)																					
251	20464202PDG CORNER POST-COMP END 40" (M8, M9, M10, M11, M12, M13, M14, M15, M16, M17, M18, M19)																					
261	20464301PDG CORNER POST-HAIRPIN END 32" (M5, M6, M7)																					
261	20464302PDG CORNER POST-HAIRPIN END 40" (M8, M9, M10, M11, M12, M13, M14, M15, M16, M17, M18, M19)																					
NS	0121G00323 FLUE HOOD (QTY 2)																					
NS	0270G00131 FLUE HOOD ASSY																					

Partition Panels



Partition Panels

Ref. Part No:	Ref. Part No:	Description:	Description:
Image 1:			
71	20465305	BLOWER DIVIDER (M1, M2, M3, M4)	
71	20465306	BLOWER DIVIDER (M8, M9, M10)	
71	20465304	BLOWER DIVIDER 32" 10 X 9 (M5, M6, M7)	
71	20465302	BLOWER DIVIDER-38 (M11, M12, M13, M14, M15, M16, M17, M18, M19)	
101	20465201	FILLER PANEL, HEAT EXCHANGER 32" (M1, M2, M3, M4, M5, M6, M7)	
121	20465501	EVAP/HEAT EXCHANGER DIVIDER 32" (M1, M2, M3, M4, M5, M6, M7)	
121	20465502	EVAP/HEAT EXCHANGER DIVIDER 38" (M8, M9, M10, M11, M12, M13, M14, M15, M16, M17, M18, M19)	
131	20465701	FAN PARTITION SHELF	
141	20465801	FAN SURROUND 32" (M1, M2, M3, M4, M5, M6, M7)	
161	20464502PDG	BACK DUCT COVER 40" (M8, M13, M16, M19)	
221	20463802	EVAP/BASEPAN BLOCK 32" (M1, M2, M3, M4, M5, M6, M7)	
221	20463801	EVAP/BASEPAN BLOCK 40" (M8, M9, M10, M11, M12, M13, M14, M15, M16, M17, M18, M19)	

Expanded Model Nomenclature

- M1 - GPG1324045M41AA
- M2 - GPG1324070M41AA
- M3 - GPG1330045M41AA
- M4 - GPG1330070M41AA
- M5 - GPG1336045M41AA
- M6 - GPG1336070M41AA
- M7 - GPG1336090M41AA
- M8 - GPG1336090M43AA
- M9 - GPG1342070M41AA
- M10 - GPG1342090M41AA
- M11 - GPG1348070M41AA
- M12 - GPG1348090M41AA
- M13 - GPG1348090M43AA
- M14 - GPG1348115M41AA
- M15 - GPG1360090M41AA
- M16 - GPG1360090M43AA
- M17 - GPG1360115M41AA
- M18 - GPG1360140M41AA
- M19 - GPG1360140M43AA

Basepan/Blower Assembly

Image 1

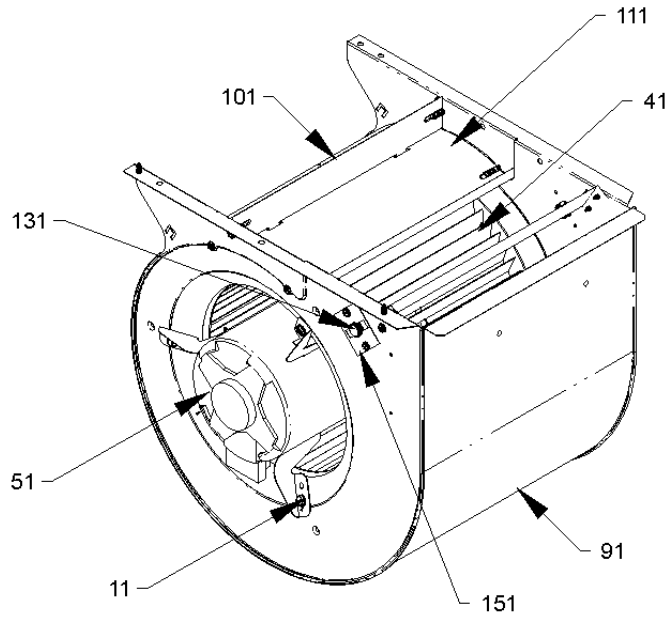
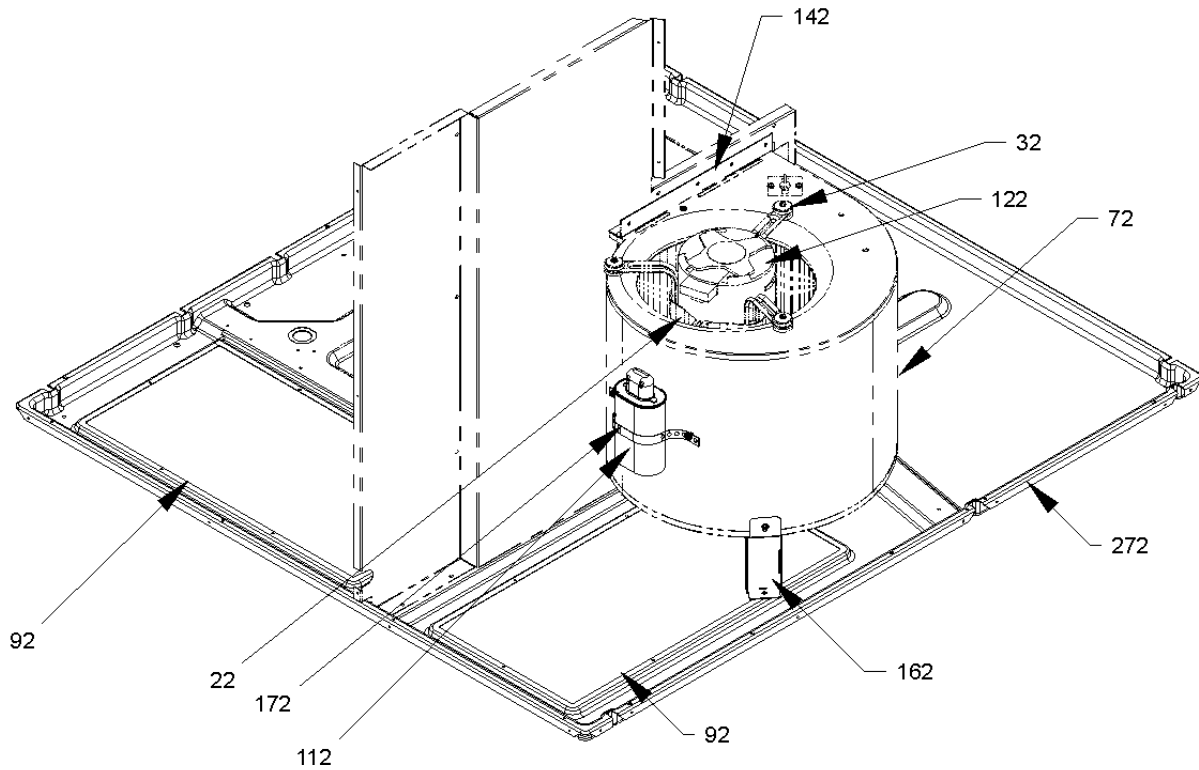


Image 2



Basepan/Blower Assembly

Ref. Part No: No:	Description:	Ref. Part No: No:	Description:																			
Image 1:		Image 2:																				
11	M0250558 TC SCREW (M1, M2, M3, M4, M5, M6, M7, M8, M9, M10)	NS B1393800	LOCKNUT, NYLON, INSERT 1/4, 20 (M11, M12, M13, M14, M15, M16, M17, M18, M19)																			
11	M0250565 TC SCREW 1.25" (M11, M12, M13, M14, M15, M16, M17, M18, M19)	Expanded Model Nomenclature																				
41	D6723303 BLOWER WHEEL (M5, M6, M7)	<table border="1"> <tr><td>M1 - GPG1324045M41AA</td></tr> <tr><td>M2 - GPG1324070M41AA</td></tr> <tr><td>M3 - GPG1330045M41AA</td></tr> <tr><td>M4 - GPG1330070M41AA</td></tr> <tr><td>M5 - GPG1336045M41AA</td></tr> <tr><td>M6 - GPG1336070M41AA</td></tr> <tr><td>M7 - GPG1336090M41AA</td></tr> <tr><td>M8 - GPG1336090M43AA</td></tr> <tr><td>M9 - GPG1342070M41AA</td></tr> <tr><td>M10 - GPG1342090M41AA</td></tr> <tr><td>M11 - GPG1348070M41AA</td></tr> <tr><td>M12 - GPG1348090M41AA</td></tr> <tr><td>M13 - GPG1348090M43AA</td></tr> <tr><td>M14 - GPG1348115M41AA</td></tr> <tr><td>M15 - GPG1360090M41AA</td></tr> <tr><td>M16 - GPG1360090M43AA</td></tr> <tr><td>M17 - GPG1360115M41AA</td></tr> <tr><td>M18 - GPG1360140M41AA</td></tr> <tr><td>M19 - GPG1360140M43AA</td></tr> </table>		M1 - GPG1324045M41AA	M2 - GPG1324070M41AA	M3 - GPG1330045M41AA	M4 - GPG1330070M41AA	M5 - GPG1336045M41AA	M6 - GPG1336070M41AA	M7 - GPG1336090M41AA	M8 - GPG1336090M43AA	M9 - GPG1342070M41AA	M10 - GPG1342090M41AA	M11 - GPG1348070M41AA	M12 - GPG1348090M41AA	M13 - GPG1348090M43AA	M14 - GPG1348115M41AA	M15 - GPG1360090M41AA	M16 - GPG1360090M43AA	M17 - GPG1360115M41AA	M18 - GPG1360140M41AA	M19 - GPG1360140M43AA
M1 - GPG1324045M41AA																						
M2 - GPG1324070M41AA																						
M3 - GPG1330045M41AA																						
M4 - GPG1330070M41AA																						
M5 - GPG1336045M41AA																						
M6 - GPG1336070M41AA																						
M7 - GPG1336090M41AA																						
M8 - GPG1336090M43AA																						
M9 - GPG1342070M41AA																						
M10 - GPG1342090M41AA																						
M11 - GPG1348070M41AA																						
M12 - GPG1348090M41AA																						
M13 - GPG1348090M43AA																						
M14 - GPG1348115M41AA																						
M15 - GPG1360090M41AA																						
M16 - GPG1360090M43AA																						
M17 - GPG1360115M41AA																						
M18 - GPG1360140M41AA																						
M19 - GPG1360140M43AA																						
41	D6723306 BLOWER WHEEL (M8, M9, M10)																					
41	B1368016 BLOWER WHEEL 10 X 8 (M3, M4)																					
41	B1368058 BLOWER WHEEL 10 X 8 (M1, M2)																					
51	11091202 BLOWER MOTOR 1/3 HP, 3 SP, 6 PL (M3, M4)																					
51	11091203 BLOWER MOTOR 1/3 HP, 3 SP, 6 PL (M5, M6, M7, M8, M9, M10)																					
51	11091207 BLOWER MOTOR 1/4 HP, 3 SP, 8 PL (M1, M2)																					
91	0271F00057 BLOWER HOUSING ASSY 10 X 10 (M8, M9, M10)																					
91	0271F0001P BLOWER HOUSING ASSY 10 X 8 (M1, M2)																					
91	0271G00025 BLOWER HOUSING ASSY 10 X 8 (M3, M4)																					
91	0271G00024 BLOWER HOUSING ASSY 10 X 9 (M5, M6, M7)																					
101	764742 BLOWER BLOCK-OFF (M5, M6, M7)																					
101	764741 BLOWER BLOCK-OFF 10 X 10 (M8, M9, M10)																					
101	764740 BLOWER BLOCK-OFF 10 X 8 (M1, M2, M3, M4)																					
101	1864703F BLOWER CUT-OFF (M11, M12, M13, M14, M15, M16, M17, M18, M19)																					
131	20269903 AUXILIARY LIMIT, AUTO RESET (M3, M4, M5, M6, M7, M8, M9, M10, M11, M12, M13, M14, M15, M16, M17, M18, M19)																					
151	2509503F AUXILIARY LIMIT BRACKET (M3, M4, M5, M6, M7, M8, M9, M10, M11, M12, M13, M14, M15, M16, M17, M18, M19)																					
NS	B1392143 GROMMET, 26TAL F/TORSIN FLEX (M8, M9, M10)																					
NS	B1393323 MACHINE SCREW HWH 1/4-20 X 1-1/2 BZ (M11, M12, M13, M14, M15, M16, M17, M18, M19)																					
Image 2:																						
22	0121M00038 MOTOR MOUNT BAND (M11, M12, M13, M14, M15, M16, M17, M18, M19)																					
32	B1376857 MOTOR MOUNT ARM (M11, M12, M13, M14, M15, M16, M17, M18, M19)																					
72	2539309 BLOWER HOUSING ASSY 11 X 10 (M11, M12, M13, M14, M15, M16, M17, M18, M19)																					
92	0121G00148 SINGLE COVER, DOWN DISCHARGE (M11, M12, M13, M14, M15, M16, M17, M18, M19)																					
112	CAP100000370LA CAPACITOR 10/370V (M1, M2, M3, M4, M5, M6, M7, M8, M9, M10)																					
122	0131M00522 BLOWER MOTOR - 1 HP PROGRAMMED SELEC (M15, M16, M17, M18, M19)																					
122	0131M00527 BLOWER MOTOR - 1 HP PROGRAMMED SELEC (M11, M12, M13, M14)																					
142	20463701 11 X 10 BLOWER MOUNTING (M11, M12, M13, M14, M15, M16, M17, M18, M19)																					
162	4322801 11 X 10 BLOWER SUPPORT LRG (M11, M12, M13, M14, M15, M16, M17, M18, M19)																					
172	20520901 CAPACITOR STRAP (M1, M2, M3, M4, M5, M6, M7, M9, M10, M11, M12, M14, M15, M17, M18)																					
272	0121G00444 BASEPAN, PACKAGE																					
NS	B1368000 BLOWER WHEEL 11 X 10 (M11, M12, M13, M14, M15, M16, M17, M18, M19)																					
NS	B821700 CAPACITOR BOOT (M1, M2, M3, M4, M5, M6, M7, M8, M9, M10)																					

Compressor/Tubing Assembly

Image 1

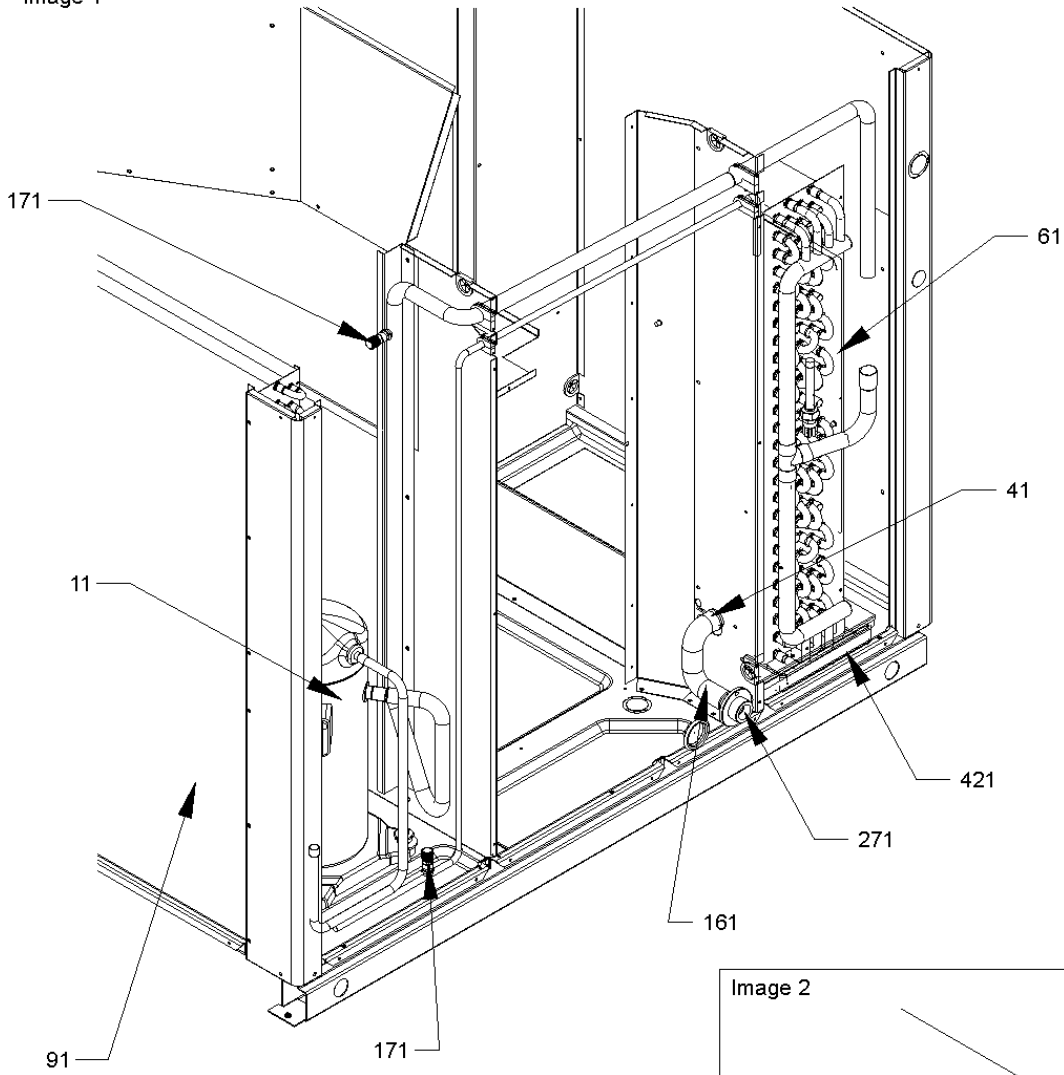
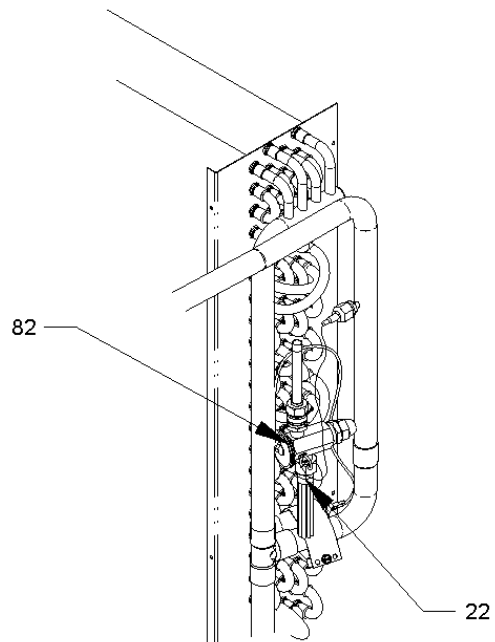


Image 2



Compressor/Tubing Assembly

**Ref. Part
No: No:**

Description:

**Ref. Part
No: No:**

Description:

Image 1:

11	ZP31K5EPFV130	COMPRESSOR 31100, 208/230/60/1 (M5, M6, M7)
11	ZP31K5ETF5130	COMPRESSOR 31200, 200/230/60/3 (M8)
11	ZP34K5EPFV130	COMPRESSOR 34500, 208/230/60/1 (M9, M10)
11	ZP39K5ETF5130	COMPRESSOR 39000, 200/230/60/3 (M13)
11	ZP39K5EPFV130	COMPRESSOR 39000, 208/230/60/1 (M11, M12, M14)
11	ZP51K5EPFV130	COMPRESSOR 51000, 208/230/60/1 (M15, M17, M18)
11	ZP51K5ETF5130	COMPRESSOR 51000, 208/230/60/3 (M16, M19)
11	760001-2001-20	COMPRESSOR, BRISTOL (M1, M2)
11	760005-2001-20	COMPRESSOR, BRISTOL (M3, M4)
41	B1373315	ACCESS FITTING (M1, M2)
61	0202G00282	EVAP COIL TUBING ASSY (M11, M12, M13, M14)
61	0202G00283	EVAP COIL TUBING ASSY (M1, M2)
61	0202G00288	EVAP COIL TUBING ASSY (M3, M4)
61	0202G00290	EVAP COIL TUBING ASSY (M5, M6, M7)
61	0202G00292	EVAP COIL TUBING ASSY (M15, M16, M17, M18, M19)
61	0202G00320	EVAP COIL TUBING ASSY (M8)
61	0202G00316	TUBING ASSY, EVAP COIL (M9, M10)
91	0201G00139	COND COIL TUBING ASSY (M8, M9, M10)
91	0201G00142	COND COIL TUBING ASSY (M1, M2, M3, M4, M5, M6, M7)
91	0201G00143	COND COIL TUBING ASSY (M15, M16, M17, M18, M19)
91	0201G00144	COND COIL TUBING ASSY (M11, M12, M13, M14)
161	20498302	DRAIN TUBE 32" (M1, M2, M3, M4, M5, M6, M7)
161	20498301	DRAIN TUBE 40" (M8, M9, M10, M11, M12, M13, M14, M15, M16, M17, M18, M19)
171	0163M00175	CAP WITH O-RING (QTY 2)
271	20513001	EVAP DRAIN FITTING
421	20464901DF	DRIP PAN, EVAP COIL
NS	B1339530	COMPRESSOR GROMMET (M1, M2, M3, M4)
NS	B1339533	COMPRESSOR GROMMET (M5, M6, M7, M8, M9, M10, M11, M12, M13, M14, M15, M16, M17, M18, M19)
NS	0159G00002	COMPRESSOR SCROLL HARNESS (M5, M6, M7)
NS	0159G00006	COMPRESSOR SCROLL HARNESS (M9, M10, M11, M12, M14, M15, M17, M18)
NS	0159G00007	COMPRESSOR SCROLL HARNESS (M8, M13, M16, M19)
NS	0130M00018	CUT-OUT SWITCH, HIGH PRESSURE
NS	0121G00324	EVAP DRIP SHIELD
NS	B1810011	HOSE CLAMP 1.25 (QTY 2)
NS	B1219212	SINGLE-FLOW FILTER DRIER, STEEL (M1, M2, M3, M4, M5, M6, M7)
NS	B1219225	SINGLE-FLOW FILTER DRIER, STEEL (M8, M9, M10, M11, M12, M13, M14, M15, M16, M17, M18, M19)
NS	M0221641	TF SHOULDER SCREW (QTY 4)

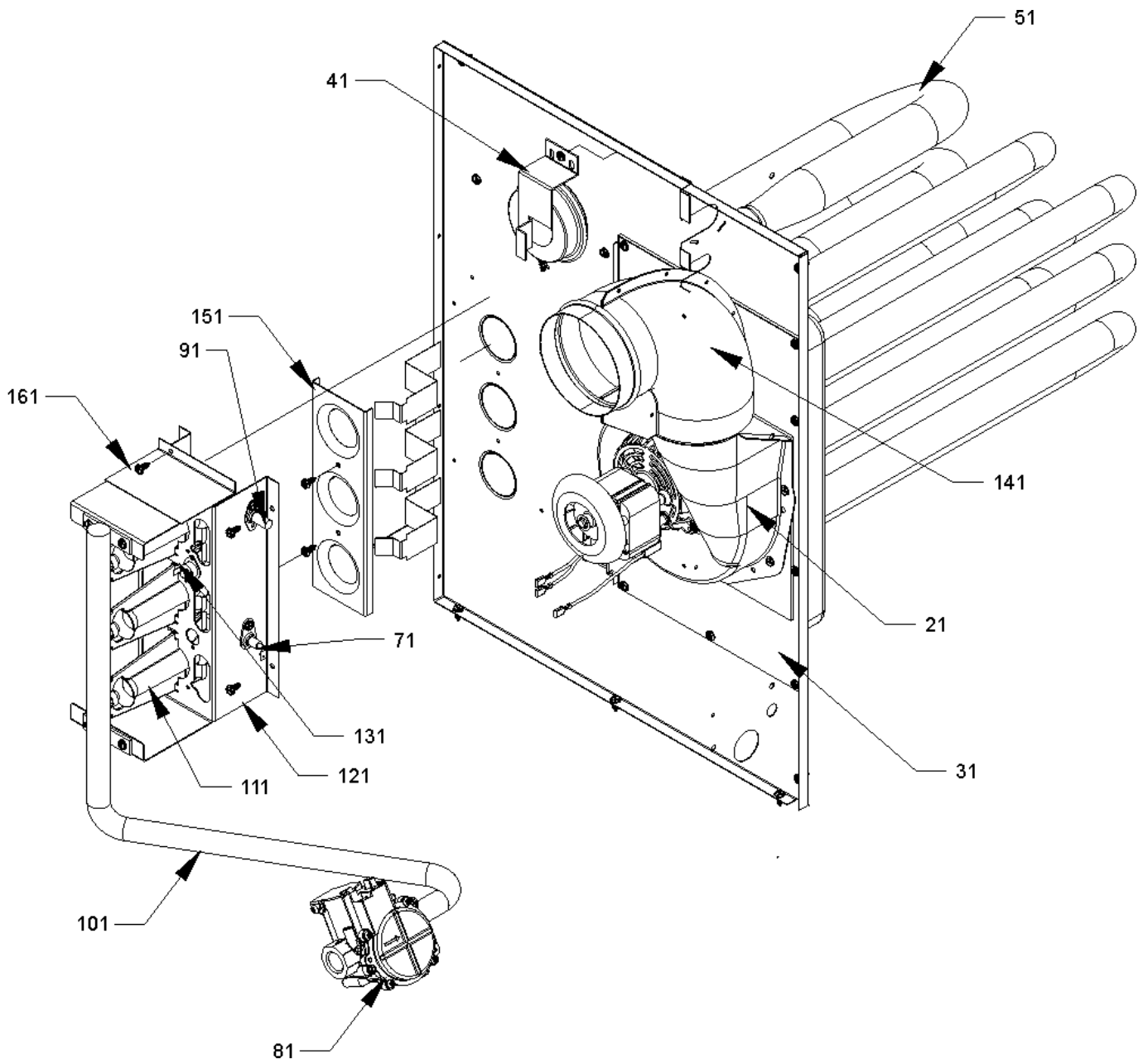
Expanded Model Nomenclature

M1 - GPG1324045M41AA
M2 - GPG1324070M41AA
M3 - GPG1330045M41AA
M4 - GPG1330070M41AA
M5 - GPG1336045M41AA
M6 - GPG1336070M41AA
M7 - GPG1336090M41AA
M8 - GPG1336090M43AA
M9 - GPG1342070M41AA
M10 - GPG1342090M41AA
M11 - GPG1348070M41AA
M12 - GPG1348090M41AA
M13 - GPG1348090M43AA
M14 - GPG1348115M41AA
M15 - GPG1360090M41AA
M16 - GPG1360090M43AA
M17 - GPG1360115M41AA
M18 - GPG1360140M41AA
M19 - GPG1360140M43AA

Image 2:

82	0162M00116	FLOWRATOR .053 (M1, M2)
82	B1314862	FLOWRATOR .062 (M3, M4)
82	0162M00117	FLOWRATOR .070 (M5, M6, M7)
82	0162M00118	FLOWRATOR .072 (M9, M10)
82	B1314876	FLOWRATOR .076 (M11, M12, M13, M14)
82	0162M00119	FLOWRATOR .087 (M15, M16, M17, M18, M19)
82	B1314868	FLOWRATOR W/COPPER STUB (M8)

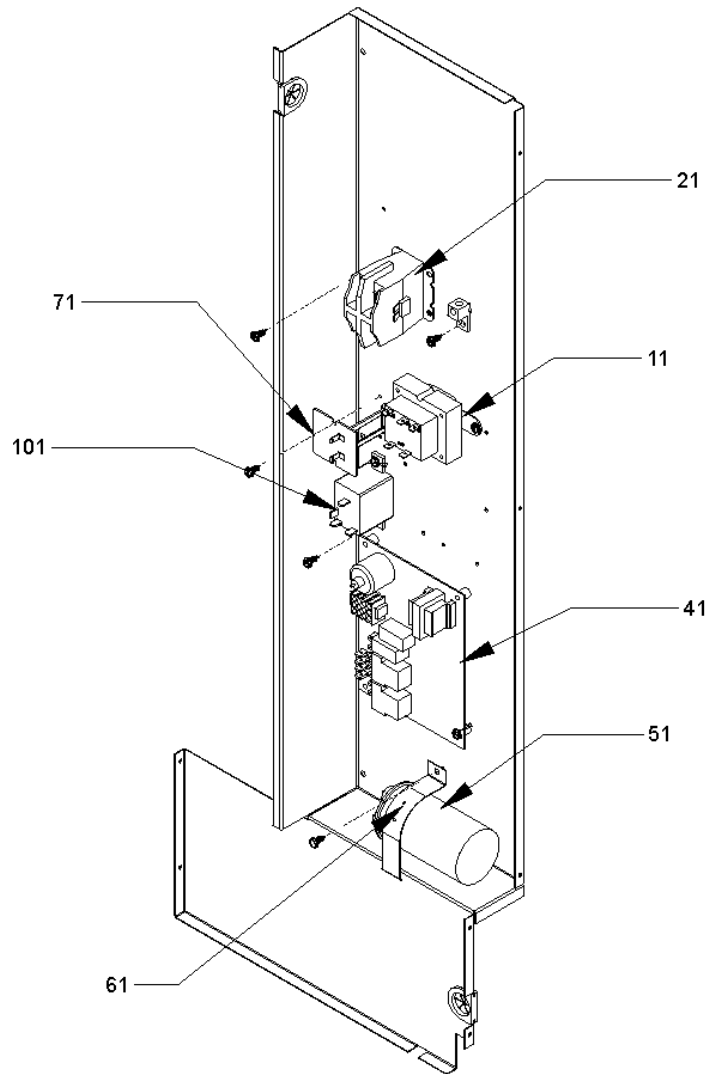
Heat Exchanger/Manifold/Gas Valve



Heat Exchanger/Manifold/Gas Valve

Ref. Part No:	Description:	Ref. Part No:	Description:
Image 1:		Expanded Model Nomenclature	
21	0131G00000P ID BLOWER	M1	- GPG1324045M41AA
31	20463204 ID BLOWER PLATE LRG 3 BRNR (M9, M11)	M2	- GPG1324070M41AA
31	20463201 ID BLOWER PLATE LRG 4 BRNR (M8, M10, M12, M13, M15, M16)	M3	- GPG1330045M41AA
31	20463202 ID BLOWER PLATE LRG 5 BRNR (M14, M17)	M4	- GPG1330070M41AA
31	20463203 ID BLOWER PLATE LRG 6 BRNR (M18, M19)	M5	- GPG1336045M41AA
31	20463101 ID BLOWER PLATE SML 2 BRNR (M1, M3, M5)	M6	- GPG1336070M41AA
31	20463102 ID BLOWER PLATE SML 3 BRNR (M2, M4, M6)	M7	- GPG1336090M41AA
31	20463103 ID BLOWER PLATE SML 4 BRNR (M7)	M8	- GPG1336090M43AA
41	11112501 PRESSURE SWITCH	M9	- GPG1342070M41AA
51	4305020 HEAT EXCHANGER ASSY (M2, M4, M6)	M10	- GPG1342090M41AA
51	4305021 HEAT EXCHANGER ASSY (M1, M3, M5)	M11	- GPG1348070M41AA
51	4305024 HEAT EXCHANGER ASSY (M9, M11)	M12	- GPG1348090M41AA
51	4305011 HEAT EXCHANGER ASSY 4B (LRG-12) (M8, M10, M12, M13, M15, M16)	M13	- GPG1348090M43AA
51	4305008 HEAT EXCHANGER ASSY 4B (MED-12) (M7)	M14	- GPG1348115M41AA
51	4305012 HEAT EXCHANGER ASSY 5B (LRG-12) (M14, M17)	M15	- GPG1360090M41AA
51	4305006 HEAT EXCHANGER ASSY 6B LRG (M18, M19)	M16	- GPG1360090M43AA
71	0130F00014 IGNITOR	M17	- GPG1360115M41AA
81	B1282628 GAS VALVE (36G) (M1, M2, M3, M4, M5, M6, M7, M8, M9, M10, M11, M12, M13, M14, M15, M16, M17)	M18	- GPG1360140M41AA
91	0130F00010 FLAME SENSOR	M19	- GPG1360140M43AA
101	0121M00035P MANIFOLD - 2 BRNR (M1, M3, M5)		
101	0121M00036P MANIFOLD - 3 BRNR (M9, M11)		
101	20493103 MANIFOLD - 3 BRNR (M2, M4, M6)		
101	20493104 MANIFOLD - 4 BRNR (M7)		
101	20493105 MANIFOLD - 4 BRNR (M8, M10, M12, M13, M15, M16)		
101	20493106 MANIFOLD - 5 BRNR (M14, M17)		
101	20493107 MANIFOLD - 6 BRNR (M18, M19)		
111	10735102 BECKETT BURNER (QTY A/R)		
121	20190410 BURNER BRACKET 2B (M1, M3, M5)		
121	20190411 BURNER BRACKET 3B (M2, M4, M6, M9, M11)		
121	20190412 BURNER BRACKET 4B (M7, M8, M10, M12, M13, M15, M16)		
121	20190413 BURNER BRACKET 5B (M14, M17)		
121	0121F00145 BURNER BRACKET 6B (M18, M19)		
131	10123529 MANUAL RESET LIMIT-GREEN		
141	20484401 FLUE ELBOW LEFT		
141	20484402 FLUE ELBOW RIGHT		
151	11072201 ORIFICE SHIELD (M1, M3, M5)		
151	11072202 ORIFICE SHIELD (M2, M4, M6)		
151	11072203 ORIFICE SHIELD (M7, M8, M10, M12, M13, M15, M16)		
151	11072204 ORIFICE SHIELD (M14, M17)		
151	11072205 ORIFICE SHIELD (M18, M19)		
161	11190202 HEAT DEFLECTOR		
NS	20463001 ID BLOWER PLATE GASKET LRG (M8, M9, M10, M11, M12, M13, M14, M15, M16, M17, M18, M19)		
NS	20462801 ID BLOWER PLATE GASKET SML (M1, M2, M3, M4, M5, M6, M7)		
NS	10716003 ORIFICE (QTY A/R)		

Control Panel



Control Panel

Ref. Part No: No:	Description:	Ref. Part No: No:	Description:
<i>Image 1:</i>		Expanded Model Nomenclature	
11	0130M00138 TRANSFORMER 208/230, 24V	M1 - GPG1324045M41AA	
21	CONT1P025024V CONTACTOR 25 AMP, 1P, 24V (M1, M2, M3, M4, M5, M6, M7)	M2 - GPG1324070M41AA	
21	CONT3P025024V CONTACTOR 25 AMP, 3P, 24V (M8, M13, M16, M19)	M3 - GPG1330045M41AA	
21	CONT1P030024V CONTACTOR 30 AMP, 1P, 24V (M9, M10, M11, M12, M14, M15, M17, M18)	M4 - GPG1330070M41AA	
41	PCBAG123 IGNITION BOARD, DSI INTEGRATED (M1, M2, M3, M4, M5, M6, M7, M9, M10, M11, M12, M14, M15, M17, M18)	M5 - GPG1336045M41AA	
51	CAP050350440CS CAPACITOR 5/35/440V (M1, M2, M3, M4)	M6 - GPG1336070M41AA	
51	CAP050000370LA CAPACITOR 5/370V (M8, M13, M16, M19)	M7 - GPG1336090M41AA	
51	CAP050450440CT CAPACITOR 5/45/440V/DUAL RD (M5, M6, M7, M9, M10, M11, M12, M14)	M8 - GPG1336090M43AA	
51	CAP050700440CT CAPACITOR 5/70/440V/DUAL RD (M15, M17, M18)	M9 - GPG1342070M41AA	
61	20520901 CAPACITOR STRAP	M10 - GPG1342090M41AA	
71	10728342 LIMIT SWITCH (M1, M2, M3, M4)	M11 - GPG1348070M41AA	
71	10728343 LIMIT SWITCH (M5, M6, M7, M18, M19)	M12 - GPG1348090M41AA	
71	10728344 LIMIT SWITCH (M8, M9, M10, M11, M12, M13, M14, M15, M16, M17)	M13 - GPG1348090M43AA	
101	B1370751 24V RELAY (M11, M12, M13, M14, M15, M16, M17, M18, M19)	M14 - GPG1348115M41AA	
NS	0259G00091 ASSY, FEMALE PLUG	M15 - GPG1360090M41AA	
NS	0259G00009 BLOWER HARNESS (M1, M2, M3, M4, M5, M6, M7, M8, M9, M10)	M16 - GPG1360090M43AA	
NS	0259G00011 BLOWER, HARNESS (M13, M16, M19)	M17 - GPG1360115M41AA	
NS	0259G00023 BLOWER, HARNESS (M11, M12, M14, M15, M17, M18)	M18 - GPG1360140M41AA	
NS	0259G00080 HARNESS-CONTROL (M1, M2)	M19 - GPG1360140M43AA	
NS	0259G00081 HARNESS-CONTROL (M9, M10)		
NS	0259G00083 HARNESS-CONTROL (M11, M12, M14)		
NS	0259G00084 HARNESS-CONTROL (M13, M15, M16, M17, M18, M19)		
NS	0259G00085 HARNESS-CONTROL (M3, M4)		
NS	0259G00086 HARNESS-CONTROL (M5, M6, M7, M8)		
NS	0259G00090 PLUG ASSY, 12 PIN MALE (M8, M9, M10, M11, M12, M13, M14, M15, M16, M17, M18, M19)		
NS	0259G00093 PLUG ASSY, 12 PIN MALE (M1, M2, M3, M4, M5, M6, M7)		