

## 15 - 25 TONS PACKAGED AIR CONDITIONERS

15 TONS COOLING CAPACITY: 180,000 BTU/H

20 TONS COOLING CAPACITY: 240,000 BTU/H

25 TONS COOLING CAPACITY: 290,000 BTU/H



### ■ Contents

Nomenclature .....	2
Product Specifications .....	4
Expanded Cooling Data .....	7
Airflow Data .....	13
Crankcase Heater .....	15
Electrical Data / Heat Kit Data .....	16
Dimensions .....	20
Wiring Diagrams .....	25
– for Models with DDC Controls .....	28
Accessories .....	32

### ■ Standard Features

- High-efficiency scroll compressor
- Copper tube / aluminum fin coils
- Aluminum micro-channel indoor coil on 25-ton units
- 25-ton models contain two outdoor fans
- High- and low-pressure switches
- High-capacity, steel-cased filter drier
- Heater kits with single-point entry
- Crankcase heaters
- 24-volt terminal strip
- Power block for field wiring
- Units meet the performance outlined in Table 6.8.1-1 of ASHRAE Standard 90.1-2013
- AHRI Certified; ETL Listed

### ■ Cabinet Features

- Heavy-gauge, galvanized-steel cabinet with UV-resistant powder-paint finish
- Built-in filter rack with standard 2” filters (convertible to 4” filters)
- Full perimeter rail
- Sloped drain pan



\* Complete warranty details available from your local dealer or at [www.daikincomfort.com](http://www.daikincomfort.com).

	D	C	C	300	060	3	V	*	*	*	A	*
	1	2	3	4,5,6	7,8,9	10	11	12	13	14	15	16
	<b>REVISION LEVELS</b>											
	Major & Minor											
	<b>FACTORY-INSTALLED OPTIONS</b>											
<b>BRAND</b>												
D	Daikin											
<b>CONFIGURATION</b>												
C	Standard Efficiency (6 - 25 Tons)											
S	Standard Efficiency (3 - 5 Tons)											
T	High Efficiency (3 - 5 Tons)											
<b>APPLICATION</b>												
C	Cooling <sup>1</sup>											
G	Gas Heat											
H	Heat Pump <sup>1</sup>											
<b>NOMINAL COOLING CAPACITY</b>												
036	3 Tons	102	8½ Tons	300 25 Tons								
048	4 Tons	120	10 Tons									
060	5 Tons	150	12½ tons									
072	6 Tons	180	15 Tons									
090	7½ Tons	240	20 Tons									
<b>NOMINAL HEATING CAPACITY</b>												
Gas/Electric	A/C H/P		Factory-Installed Electric Heat									
045	45,000 BTU/h	XXX	No Heat									
090	90,000 BTU/h	010	10 kW	030	30 kW							
115	115,000 BTU/h	015	15 kW	031	30 kW							
140	140,000 BTU/h	016	15 kW	045	45 kW							
210	210,000 BTU/h	018	18 kW	046	45 kW							
350	350,000 BTU/h	020	20 kW	060	60 kW							
400	400,000 BTU/h	025	25 kW									
See product specifications for heat size(s) available for each capacity.												
<b>VOLTAGE</b>												
1	208-230/1/60 (DS* & DT* 3-5 Tons models only)			4	460/3/60							
3	208-230/3/60			7	575/3/60							
<b>SUPPLY FAN/DRIVE TYPE/MOTOR</b>												
B	Belt Drive (3-5 Tons single speed models only)			V	Two-Speed Belt Drive (6-25 Tons only)							
D	Direct Drive (3-5 Tons single speed models only)			W	High Static (6-25 Tons two-speed Belt Drive models only)							
H	High Static (3-5 Tons single-speed Belt Drive models only)			X	No Options							
<b>FACTORY-INSTALLED OPTIONS</b>												
A	Ultra Low-Leak Downflow Economizer			R	Ultra Low-Leak Downflow Economizer; DDC-BACnet protocol;							
B	DDC-BACnet protocol				Disconnect Switch (non-fused)							
F	Ultra Low-Leak Downflow Economizer; DDC-BACnet protocol			V	Low-Leak Downflow Economizer							
H	Disconnect Switch (non-fused)			W	Low-Leak Downflow Economizer							
J	Ultra Low-Leak Downflow Economizer; Disconnect Switch (non-fused)			X	No Options							
M	Disconnect Switch (non-fused); DDC-BACnet protocol											
<b>Note: Not all options available for all products.</b>												
<sup>1</sup> X= No Options in character 13th												
	<b>FACTORY-INSTALLED OPTIONS</b>											
X	Standard Aluminized Heat Exchanger											
S	Stainless-Steel Heat Exchanger											
D	Hinged Panels											
K	Stainless-Steel Heat Exchanger; Hinged Panels											
B	Phase Monitor											
J	Stainless Steel Heat Exchanger; Phase Monitor											
M	Hinged Panel; Phase Monitor											
L	Stainless-Steel Heat Exchanger; Hinged Panels; Phase Monitor											

**FACTORY-INSTALLED OPTIONS**

- **Stainless-Steel Heat Exchanger (Gas units only):** A tubular heat exchanger made of 409-type stainless steel is installed in the unit.
- **Low-Ambient Kit:** Allows for cooling operation at lower outdoor temperatures. On the 3- to 6-ton units, cooling operation is extended from 60°F ambient temperature to 35°F outside air temperature. On 7½ -20 ton units, cooling operation is extended from 35°F ambient temperature to 0°F outside air temperature. For 25 ton units, cooling operation is extended from 24°F ambient temperature to 0°F outside air temperature.
- **Economizers (Downflow):** Based on air conditions, can provide outside air to cool the space.
- **Electric Heat Kits (AC and heat pump units only):** Available in all voltage options.
- **Non-powered Convenience Outlet:** A 120V, 15A, GFCI outlet makes it easier for technicians to service the unit once an electrician runs power to the outlet.
- **Powered Convenience Outlet:** A 120V, 15A, GFCI outlet powered with a transformer built into the unit. When a factory-installed powered convenience outlet is installed in the equipment, the unit MCA (Min. Circuit Ampacity) will increase by 7.2A/6.5A for 208/230V units, increase by 3.3A for 460V units, and by 2.6A for 575V units. The MOP (Max. Overcurrent Protection) device must be sized accordingly.
- **Disconnect Switch (non-fused; 3-phase units only):** A disconnect switch is installed in the unit and factory wiring will be complete from the switch to the unit. Please note that for air conditioning (DSC units) and heat pump models (DSH units), the appropriate electric heat kit must be ordered to be factory-installed along with the disconnect switch (non-fused) when it is ordered. Please note that for models with a powered convenience outlet option and a disconnect switch (non-fused) option, the power to the powered convenience outlet will be shut off when the disconnect switch (non-fused) is in the off position.
- **Return Air and/or Supply Air Smoke Detectors:** Return air and/or supply air smoke detectors are installed in the unit.
- **Hinged Access Panels:** Allows access to unit's major components. Combined with latches for easy access to control box, compressor, filters and blower motor. Available on all units.
- **Two-speed indoor fan blower models** are standard on 6, 7½, 8½, 10, 12½, 15, 20 & 25 ton units. Section 6.4.3.10.b of ASHRAE Standard 90.1-2010 and Section 6.5.3.2.1.a of ASHRAE Standard 90.1-2013 require a minimum of two fan speeds. Section 140.4(m)1 of California Energy Commission Title 24 2013 contains a similar provision. When the units with the two-speed indoor fan blowers operate on a call for the first stage of cooling, the fan operates at low speed, which is 66% of full speed. When the units operate on a call for the second stage of cooling, the fan operates at full speed. In heating operation, the fan operates at full speed. During ventilation operation, the fan operates at low speed.
- **Phase Monitor:** Phase monitor (3 phase only), available for 3 - 25 ton DS, DC and DT series models. Phase monitor shall provide protection for motors and compressors against problems caused by phase loss, phase reversal and phase unbalance. Phase monitor is equipped with an LED that provides an ON or FAULT indicator.
- **DDC Controller:** DDC communicating controller, available for 3 - 25 ton DS, DC and DT series models with on-board BACnet® communication interface.
- **High static blower assembly, factory-installed**

	DCC180*** 3V***A*	DCC180*** 4V***A*	DCC180*** 7V***A*
<b>COOLING CAPACITY</b>			
Total, BTU/h	180,000	180,000	180,000
Sensible BTU/h	134,600	134,600	134,600
EER / IEER	11 / 12.8	11 / 12.8	11 / 12.8
Decibels	88	88	88
ARI Reference #s	6502018	6502018	6502018
<b>EVAPORATOR MOTOR / COIL</b>			
Motor Type (Belt Drive)	2-Speed Belt	2-Speed Belt	2-Speed Belt
Indoor Nominal CFM	6,000	6,000	6,000
Indoor Motor FLA (Cooling)	9.1	4.3	3.5
Horsepower - RPM (Speed: Full / Low)	3.0 - 1,760/1,165	3.0 - 1,760/1,165	3.0 - 1,760/1,165
Metering Device	TXV	TXV	TXV
Filter Size (#)	20 x 25 x 2 (6)	20 x 25 x 2 (6)	20 x 25 x 2 (6)
Drain Size (NPT)	1"	1"	1"
R-410A Refrigerant Charge Cir #1	186.2	186.2	186.2
R-410A Refrigerant Charge Cir #2	170.8	170.8	170.8
Evaporator Coil Face Area (ft <sup>2</sup> )	20	20	20
Rows Deep / Fins per Inch	4 / 16	4 / 16	4 / 16
<b>BELT DRIVE EVAP FAN DATA</b>			
# of Wheels (D x W)	2 (15" x 12")	2 (15" x 12")	2 (15" x 12")
Motor Sheave	1VP50 x 1 $\frac{1}{8}$ "	1VP50 x 1 $\frac{1}{8}$ "	1VP50 x 1 $\frac{1}{8}$ "
Blower Sheave	BK100 x 1 $\frac{3}{16}$ "	BK100 x 1 $\frac{3}{16}$ "	BK100 x 1 $\frac{3}{16}$ "
Belt	BX44	BX44	BX44
<b>CONDENSER FAN / COIL</b>			
Quantity of Condenser Fan Motors	3	3	3
Horsepower - RPM	$\frac{1}{2}$ - 1,075	$\frac{1}{2}$ - 1,075	$\frac{1}{2}$ - 1,075
Fan Diameter / # Fan Blades	22 / 3	22 / 3	22 / 3
Outdoor Nominal CFM	9,000	9,000	9,000
Face Area (ft <sup>2</sup> )	53.3	53.3	53.3
Rows Deep / Fins per Inch	2 / 27	2 / 27	2 / 27
<b>COMPRESSOR</b>			
Quantity / Type	2 / Scroll	2 / Scroll	2 / Scroll
Compressor RLA / LRA Circuit #1	25 / 164	12.2 / 100	9.0 / 78
Compressor RLA / LRA Circuit #2	25 / 164	12.2 / 100	9.0 / 78
<b>ELECTRICAL DATA / STATIC</b>			
Voltage / Phase (60 Hz)	208/230-3-60	460-3-60	575-3-60
Standard Max Static	1.2	1.2	1.2
Outdoor Fan FLA / LRA	2.0/4.4	0.85 / 2.2	0.67/1.8
Total Unit Amps	65.1	31.3	23.5
Min. Circuit Ampacity <sup>1</sup>	71.4 / 71.4	34.3	25.7
Max. Overcurrent Protection (amps) <sup>2</sup>	90 / 90	45	30
Entrance Power Supply	2 $\frac{1}{2}$ "	2 $\frac{1}{2}$ "	2 $\frac{1}{2}$ "
Entrance Control Voltage	$\frac{7}{8}$ "	$\frac{7}{8}$ "	$\frac{7}{8}$ "
<b>OPERATING WEIGHT (LBS)</b>			
	1965	1965	1965
<b>SHIP WEIGHT (LBS)</b>			
	2080	2080	2080

<sup>1</sup> Wire size should be determined in accordance with National Electrical Codes. Extensive wire runs will require larger wire sizes.

<sup>2</sup> May use fuses or HACR-type circuit breakers of the same size as noted.

**Note:** Always check the S&R plate for electrical data on the unit being installed.

	DCC240 ***3V***B*	DCC240 ***4V***B*	DCC240 ***7V***B*
<b>COOLING CAPACITY</b>			
Total, BTU/h	240,000	240,000	240,000
Sensible BTU/h	181,000	181,000	181,000
EER / IEER	10.0 / 11.6	10.0 / 11.6	10.0 / 11.6
Decibels	88	88	88
ARI Reference #s	8813880	8813880	8813880
<b>EVAPORATOR MOTOR / COIL</b>			
Motor Type (Belt Drive)	2-Speed Belt	2-Speed Belt	2-Speed Belt
Indoor Nominal CFM	7,000	7,000	7,000
Indoor Motor FLA (Cooling)	14	6.6	5.2
Horsepower - RPM (Speed: Full / Low)	5.0 - 1,775/1,185	5.0 - 1,775/1,185	5.0 - 1,775/1,185
Metering Device	TXV	TXV	TXV
Filter Size (#)	20 x 25 x 2 (6)	20 x 25 x 2 (6)	20 x 25 x 2 (6)
Drain Size (NPT)	1"	1"	1"
R-410A Refrigerant Charge Cir #s 1 & 2	177 & 195 ozs.	177 & 195 ozs.	177 & 195 ozs.
Face Area (ft <sup>2</sup> )	20	20	20
Rows Deep / Fins per Inch	4 / 16	4 / 16	4 / 16
<b>BELT DRIVE EVAP FAN DATA</b>			
# of Wheels (D x W)	2 (15" x 15")	2 (15" x 15")	2 (15" x 15")
Motor Sheave	1VP60 x 1 $\frac{3}{8}$ "	1VP60 x 1 $\frac{3}{8}$ "	1VP60 x 1 $\frac{3}{8}$ "
Blower Sheave	BK100 x 1 $\frac{7}{16}$ "	BK100 x 1 $\frac{7}{16}$ "	BK100 x 1 $\frac{7}{16}$ "
Belt	BX45	BX45	BX45
<b>CONDENSER FAN / COIL</b>			
Quantity of Condenser Fan Motors	3	3	3
Horsepower - RPM	$\frac{1}{3}$ - 1,075	$\frac{1}{3}$ - 1,075	$\frac{1}{3}$ - 1,075
Fan Diameter / # Fan Blades	22 / 3	22 / 3	22 / 3
Outdoor Nominal CFM	9,000	9,000	9,000
Face Area (ft <sup>2</sup> )	53.3	53.3	53.3
Rows Deep / Fins per Inch	2 / 27	2 / 27	2 / 27
<b>COMPRESSOR</b>			
Quantity / Type	2 / Scroll	2 / Scroll	2 / Scroll
Compressor RLA / LRA CIR. #1	34.0 / 240.0	16.0 / 140.0	12.9 / 107.6
Compressor RLA / LRA CIR. #2	34.0 / 240.0	16.0 / 140.0	12.9 / 107.6
<b>ELECTRICAL DATA / STATIC</b>			
Voltage / Phase (60 Hz)	208/230-3-60	460-3-60	575-3-60
Outdoor Fan FLA / LRA	2.0/4.4	0.85 / 2.2	0.67 / 1.8
Total Unit Amps	88	41.2	33.0
Min. Circuit Ampacity <sup>1</sup>	96.4 / 96.4	43.5	35.0
Max. Overcurrent Protection (amps) <sup>2</sup>	125 / 125	50	45
Entrance Power Supply	2 $\frac{1}{2}$ "	2 $\frac{1}{2}$ "	2 $\frac{1}{2}$ "
Entrance Control Voltage	$\frac{7}{8}$ "	$\frac{7}{8}$ "	$\frac{7}{8}$ "
<b>OPERATING WEIGHT (LBS)</b>	2085	2085	2085
<b>SHIP WEIGHT (LBS)</b>	2202	2202	2202

<sup>1</sup> Wire size should be determined in accordance with National Electrical Codes. Extensive wire runs will require larger wire sizes.

<sup>2</sup> May use fuses or HACR-type circuit breakers of the same size as noted.

**Note:** Always check the S&R plate for electrical data on the unit being installed.

	DCC300 ***3V***A*	DCC300 ***4V***A*	DCC300 ***7V***A*
<b>COOLING CAPACITY</b>			
Total, BTU/h	290,000	290,000	290,000
Sensible BTU/h	196,000	196,000	196,000
EER / IEER	10.2 / 11.8	10.2 / 11.8	10.2 / 11.8
Decibels	92	92	92
AHRI Reference #s	8582013	8582013	8582013
<b>EVAPORATOR MOTOR / COIL</b>			
Motor Type (Belt Drive)	2-speed Belt Drive	2-speed Belt Drive	2-speed Belt Drive
Indoor Nominal CFM	8,200	8,200	8,200
Indoor Motor FLA (Cooling)	21.0	10.1	8.2
Horsepower - RPM (Speed: Full / Low)	7.5 - 1770/1175	7.5 - 1770/1175	7.5 - 1770/1175
Metering Device	TXV	TXV	TXV
Filter Size (#)	20 x 20 x 2 (8)	20 x 20 x 2 (8)	20 x 20 x 2 (8)
Drain Size (NPT)	1"	1"	1"
R-410A Refrigerant Charge Cir #s 1 & 2	215 & 198 ozs.	215 & 198 ozs.	215 & 198 ozs.
Face Area (ft <sup>2</sup> )	17.2	17.2	17.2
Rows Deep / Fins per Inch	2 / 15	2 / 15	2 / 15
<b>BELT DRIVE EVAP FAN DATA</b>			
# of Wheels (D x W)	2 (15" x 15")	2 (15" x 15")	2 (15" x 15")
Motor Sheave	1VP60 x 1 $\frac{3}{8}$ "	1VP60 x 1 $\frac{3}{8}$ "	1VP60 x 1 $\frac{3}{8}$ "
Blower Sheave	BK110 x 1 $\frac{7}{16}$ "	BK110 x 1 $\frac{7}{16}$ "	BK110 x 1 $\frac{7}{16}$ "
Belt	BX46	BX46	BX46
<b>CONDENSER FAN / COIL</b>			
Quantity of Condenser Fan Motors	2	2	2
Horsepower - RPM	1 - 1145	1 - 1145	1 - 1145
Fan Diameter / # Fan Blades	30 / 2	30 / 2	30 / 2
Outdoor Nominal CFM	15,000	15,000	15,000
Face Area (ft <sup>2</sup> )	53.3	53.3	53.3
Rows Deep / Fins per Inch	2 / 27	2 / 27	2 / 27
<b>COMPRESSOR</b>			
Quantity / Type	2 / Scroll	2 / Scroll	2 / Scroll
Compressor RLA / LRA CIR. #1	48.1 / 245	18.6 / 125	14.7 / 100
Compressor RLA / LRA CIR. #2	48.1 / 245	18.6 / 125	14.7 / 100
<b>ELECTRICAL DATA</b>			
Voltage / Phase (60 Hz)	208/230-3-60	460-3-60	575-3-60
Outdoor Fan FLA / LRA	3.7 / 16.9	1.85 / 8.5	1.5 / 6.82
Total Unit Amps	125	51.0	40.6
Min. Circuit Ampacity <sup>1</sup>	133 / 133	53.8	42.9
Max. Overcurrent Protection (amps) <sup>2</sup>	175 / 175	70	50
Entrance Power Supply	2 $\frac{1}{8}$ "	2 $\frac{1}{8}$ "	2 $\frac{1}{8}$ "
Entrance Control Voltage	$\frac{3}{8}$ "	$\frac{3}{8}$ "	$\frac{3}{8}$ "
<b>OPERATING WEIGHT (LBS)</b>	2119	2119	2119
<b>SHIP WEIGHT (LBS)</b>	2387	2387	2387

<sup>1</sup> Wire size should be determined in accordance with National Electrical Codes. Extensive wire runs will require larger wire sizes.

<sup>2</sup> May use fuses or HACR-type circuit breakers of the same size as noted.

Note: Always check the S&R plate for electrical data on the unit being installed.

IDB		OUTDOOR AMBIENT TEMPERATURE																																			
		65						75						85						95						105						115					
		AIRFLOW				ENTERING INDOOR WET BULB TEMPERATURE				ENTERING INDOOR WET BULB TEMPERATURE				ENTERING INDOOR WET BULB TEMPERATURE				ENTERING INDOOR WET BULB TEMPERATURE				ENTERING INDOOR WET BULB TEMPERATURE				ENTERING INDOOR WET BULB TEMPERATURE											
70	6750	MBh	176.4	182.8	200.3	-	172.3	178.6	195.6	-	168.2	174.3	191.0	-	164.1	170.1	186.3	-	155.9	161.6	177.0	-	144.4	149.7	164.0	-											
		S/T	0.75	0.63	0.43	-	0.78	0.65	0.45	-	0.80	0.67	0.46	-	0.82	0.69	0.48	-	0.86	0.71	0.49	-	0.86	0.72	0.50	-											
		ΔT	18	16	12	-	18	16	12	-	18	16	12	-	18	16	12	-	18	16	12	-	17	15	11	-											
		HI PR	236	253	268	-	264	284	300	-	301	323	342	-	342	368	389	-	385	414	438	-	425	458	484	-											
		LO PR	103	110	120	-	109	116	127	-	114	121	132	-	119	127	139	-	125	133	145	-	129	138	150	-											
		MBh	171.2	177.5	194.5	-	167.3	173.4	189.9	-	163.3	169.2	185.4	-	159.3	165.1	180.9	-	151.3	156.9	171.9	-	140.2	145.3	159.2	-											
	S/T	0.72	0.60	0.41	-	0.74	0.62	0.43	-	0.76	0.64	0.44	-	0.79	0.66	0.45	-	0.82	0.68	0.47	-	0.82	0.69	0.48	-												
	ΔT	19	16	12	-	19	16	13	-	19	16	13	-	19	17	13	-	19	16	12	-	18	15	12	-												
	HI PR	233	251	265	-	262	282	297	-	298	320	338	-	339	365	385	-	381	410	433	-	421	453	479	-												
	LO PR	102	109	119	-	108	115	126	-	112	120	131	-	118	126	137	-	124	132	144	-	128	136	149	-												
	4800	MBh	158.1	163.8	179.5	-	154.4	160.0	175.3	-	150.7	156.2	171.1	-	147.0	152.4	167.0	-	139.7	144.8	158.6	-	129.4	134.1	146.9	-											
		S/T	0.69	0.58	0.40	-	0.72	0.60	0.41	-	0.73	0.61	0.42	-	0.76	0.63	0.44	-	0.79	0.66	0.46	-	0.79	0.66	0.46	-											
ΔT		21	18	14	-	21	18	14	-	21	18	14	-	21	18	14	-	21	18	14	-	20	17	13	-												
HI PR		226	243	257	-	254	273	288	-	289	311	328	-	329	354	374	-	370	398	420	-	409	440	464	-												
LO PR		99	106	115	-	105	112	122	-	109	116	127	-	115	122	133	-	120	128	139	-	124	132	144	-												
MBh		179.4	184.7	199.9	214.5	175.2	180.4	195.3	209.6	171.0	176.1	190.6	204.6	166.9	171.8	186.0	199.6	158.5	163.2	176.7	189.6	146.8	151.2	163.6	175.6												
75	6750	S/T	0.85	0.76	0.58	0.37	0.89	0.79	0.60	0.39	0.91	0.81	0.61	0.40	0.94	0.84	0.63	0.41	0.97	0.87	0.66	0.42	0.98	0.88	0.66	0.43											
		ΔT	21	19	16	11	21	19	16	11	21	19	16	11	21	20	16	11	21	19	16	11	20	18	15	10											
		HI PR	238	256	270	282	267	287	303	316	304	327	345	360	346	372	393	410	389	419	442	461	430	463	488	509											
		LO PR	104	111	121	129	110	117	128	137	115	122	133	142	121	128	140	149	126	134	147	156	131	139	152	162											
		MBh	174.2	179.3	194.1	208.3	170.1	175.1	189.6	203.5	166.1	171.0	185.1	198.6	162.0	166.8	180.5	193.8	153.9	158.5	171.5	184.1	142.6	146.8	158.9	170.5											
		S/T	0.81	0.73	0.55	0.35	0.84	0.76	0.57	0.37	0.87	0.77	0.59	0.38	0.89	0.80	0.60	0.39	0.93	0.83	0.63	0.40	0.94	0.84	0.63	0.41											
	6000	ΔT	22	20	16	11	22	20	17	11	22	20	17	11	22	20	17	12	22	20	16	11	20	19	15	11											
		HI PR	236	253	268	279	264	284	300	313	301	323	342	356	342	368	389	406	385	415	438	457	426	458	484	504											
		LO PR	103	110	120	128	109	116	127	135	114	121	132	141	119	127	139	148	125	133	145	155	129	138	150	160											
		MBh	160.7	165.5	179.1	192.3	157.0	161.6	175.0	187.8	153.3	157.8	170.8	183.3	149.5	154.0	166.6	178.8	142.0	146.3	158.3	169.9	131.6	135.5	146.6	157.4											
		S/T	0.79	0.70	0.53	0.34	0.81	0.73	0.55	0.35	0.83	0.75	0.56	0.36	0.86	0.77	0.58	0.38	0.89	0.80	0.61	0.39	0.90	0.81	0.61	0.39											
		ΔT	24	22	18	13	24	23	18	13	25	23	18	13	25	23	19	13	24	22	18	13	23	21	17	12											
4800	HI PR	228	246	260	271	256	276	291	304	292	314	331	346	332	357	377	394	374	402	425	443	413	444	469	489												
	LO PR	100	107	117	124	106	113	123	131	110	117	128	136	116	123	134	143	121	129	141	150	125	133	146	155												

IDB: Entering Indoor Dry Bulb Temperature

Shaded area reflects ACCA (TVA) conditions

High and low pressures are measured at the liquid and suction access fittings.

EXPANDED COOLING DATA — 15 TONS (TWO-SPEED MOTOR AT HIGH SPEED)

IDB		OUTDOOR AMBIENT TEMPERATURE																																			
		65						75						85						95						105						115					
		AIRFLOW				ENTERING INDOOR WET BULB TEMPERATURE				ENTERING INDOOR WET BULB TEMPERATURE				ENTERING INDOOR WET BULB TEMPERATURE				ENTERING INDOOR WET BULB TEMPERATURE				ENTERING INDOOR WET BULB TEMPERATURE				ENTERING INDOOR WET BULB TEMPERATURE				ENTERING INDOOR WET BULB TEMPERATURE							
59	63	67	71	59	63	67	71	59	63	67	71	59	63	67	71	59	63	67	71	59	63	67	71	59	63	67	71	59	63	67	71						
6750	MBh	182.6	186.5	199.3	213.1	178.3	182.2	194.7	208.1	174.1	177.9	190.0	203.1	169.8	173.5	185.4	198.2	161.3	164.9	176.1	188.3	149.4	152.7	163.2	174.4	149.4	152.7	163.2	174.4								
	S/T	0.94	0.88	0.71	0.53	0.97	0.91	0.74	0.55	1.00	0.93	0.76	0.57	1.00	0.96	0.78	0.59	1.00	1.00	0.81	0.61	1.00	1.00	0.82	0.61	1.00	1.00	0.82	0.61								
	ΔT	23	22	19	16	24	23	20	16	24	23	20	16	23	23	20	16	22	22	20	16	20	21	18	15	20	21	18	15								
	HI PR	240	259	273	285	270	290	306	320	307	330	349	363	349	376	397	414	393	423	447	466	434	467	493	515	434	467	493	515								
	LO PR	106	112	123	131	112	119	130	138	116	123	135	143	122	130	141	151	128	136	148	158	132	140	153	163	132	140	153	163								
80	MBh	177.2	180.1	193.5	206.9	173.1	176.9	189.0	202.0	169.0	172.7	184.5	197.2	164.9	168.5	180.0	192.4	156.6	160.1	171.0	182.8	145.1	148.3	158.4	169.3	145.1	148.3	158.4	169.3								
	S/T	0.89	0.84	0.68	0.51	0.93	0.87	0.71	0.53	0.95	0.89	0.72	0.54	0.98	0.92	0.75	0.56	1.00	0.95	0.78	0.58	1.00	0.96	0.78	0.59	1.00	0.96	0.78	0.59								
	ΔT	24	23	20	16	25	24	20	16	25	24	20	16	25	24	21	16	24	23	20	16	22	22	19	15	22	22	19	15								
	HI PR	238	256	270	282	267	287	303	316	304	327	345	360	346	372	393	410	389	419	442	461	430	463	488	510	430	463	488	510								
	LO PR	105	111	121	129	110	117	128	137	115	122	133	142	121	128	140	149	126	134	147	156	131	139	152	162	131	139	152	162								
4800	MBh	163.6	167.2	178.6	190.9	159.8	163.3	174.4	186.5	156.0	159.4	170.3	182.0	152.2	155.5	166.1	177.6	144.6	147.7	157.8	168.7	133.9	136.8	146.2	156.3	133.9	136.8	146.2	156.3								
	S/T	0.86	0.81	0.66	0.49	0.89	0.84	0.68	0.51	0.92	0.86	0.70	0.52	0.94	0.89	0.72	0.54	0.98	0.92	0.75	0.56	0.99	0.93	0.75	0.56	0.99	0.93	0.75	0.56								
	ΔT	27	26	22	18	27	26	23	18	27	26	23	18	28	26	23	18	27	26	23	18	25	24	21	17	25	24	21	17								
	HI PR	231	248	262	274	259	279	294	307	295	317	335	349	335	361	381	398	377	406	429	447	417	449	474	494	417	449	474	494								
	LO PR	101	108	118	125	107	114	124	132	111	118	129	138	117	124	136	145	123	130	142	152	127	135	147	157	127	135	147	157								
6750	MBh	185.8	189.3	198.3	211.6	180.4	184.9	193.7	206.6	177.1	180.5	189.1	201.7	172.8	176.1	184.5	196.8	164.2	167.3	175.2	187.0	152.1	155.0	162.3	173.2	152.1	155.0	162.3	173.2								
	S/T	0.98	0.95	0.86	0.69	1.00	0.98	0.89	0.72	1.00	1.00	0.91	0.74	1.00	1.00	0.94	0.76	1.00	1.00	0.97	0.79	1.00	1.00	0.98	0.80	1.00	1.00	0.98	0.80								
	ΔT	25	24	23	20	25	25	23	20	24	25	23	20	24	24	24	20	22	23	23	20	21	21	22	19	21	21	22	19								
	HI PR	243	261	276	288	272	293	309	323	310	333	352	367	353	380	401	418	397	427	451	470	439	472	498	520	439	472	498	520								
	LO PR	107	113	124	132	113	120	131	139	117	125	136	145	123	131	143	152	129	137	150	159	133	142	155	165	133	142	155	165								
6000	MBh	180.3	183.8	192.5	205.4	176.1	179.6	188.1	200.6	172.0	175.3	183.6	195.8	167.8	171.0	179.1	191.1	159.4	162.5	170.1	180.5	147.6	150.5	157.6	168.1	147.6	150.5	157.6	168.1								
	S/T	0.94	0.90	0.82	0.66	0.97	0.94	0.85	0.69	1.00	0.96	0.87	0.70	1.00	0.99	0.89	0.73	1.00	1.00	0.93	0.75	1.00	1.00	0.94	0.76	1.00	1.00	0.94	0.76								
	ΔT	26	25	24	21	26	26	24	21	26	26	24	21	26	26	25	21	24	25	24	21	23	23	23	20	23	23	23	20								
	HI PR	240	259	273	285	270	290	306	320	307	330	349	363	349	376	397	414	393	423	447	466	434	467	493	515	434	467	493	515								
	LO PR	106	112	123	131	112	119	130	138	116	123	135	143	122	130	141	151	128	136	148	158	132	140	153	163	132	140	153	163								
4800	MBh	166.5	169.7	177.7	189.6	162.6	165.7	173.6	185.2	158.7	161.8	169.4	180.8	154.8	157.8	165.3	176.4	147.1	149.9	157.0	167.5	136.3	138.9	145.5	155.2	136.3	138.9	145.5	155.2								
	S/T	0.90	0.87	0.79	0.64	0.94	0.90	0.81	0.66	0.96	0.93	0.84	0.68	0.99	0.96	0.86	0.70	1.00	0.99	0.90	0.73	1.00	1.00	0.90	0.73	1.00	1.00	0.90	0.73								
	ΔT	29	28	27	23	29	29	27	23	29	29	27	23	29	29	27	24	28	28	27	23	26	27	25	22	26	27	25	22								
	HI PR	233	251	265	276	262	281	297	310	297	320	338	353	339	365	385	402	381	410	433	452	421	453	479	499	421	453	479	499								
	LO PR	102	109	119	127	108	115	126	134	112	120	131	139	118	126	137	146	124	132	144	153	128	136	149	158	128	136	149	158								

IDB: Entering Indoor Dry Bulb Temperature

Shaded area reflects AHRI (TVA) conditions

High and low pressures are measured at the liquid and suction access fittings.



IDB		OUTDOOR AMBIENT TEMPERATURE																																			
		65						75						85						95						105						115					
		AIRFLOW				ENTERING INDOOR WET BULB TEMPERATURE				ENTERING INDOOR WET BULB TEMPERATURE				ENTERING INDOOR WET BULB TEMPERATURE				ENTERING INDOOR WET BULB TEMPERATURE				ENTERING INDOOR WET BULB TEMPERATURE				ENTERING INDOOR WET BULB TEMPERATURE				ENTERING INDOOR WET BULB TEMPERATURE							
59	63	67	71	59	63	67	71	59	63	67	71	59	63	67	71	59	63	67	71	59	63	67	71	59	63	67	71	59	63	67	71						
70	MBh	235.2	243.8	267.1	-	229.7	238.1	260.9	-	224.2	232.4	254.6	-	218.8	226.8	248.4	-	207.8	215.4	236.0	-	207.8	215.4	236.0	-	192.5	199.5	218.6	-								
	S/T	0.76	0.63	0.44	-	0.78	0.66	0.45	-	0.80	0.67	0.47	-	0.83	0.69	0.48	-	0.86	0.72	0.50	-	0.86	0.72	0.50	-	0.87	0.73	0.50	-								
	ΔT	21	18	14	-	21	18	14	-	21	18	14	-	21	18	14	-	21	18	14	-	21	18	14	-	20	17	13	-								
	HI PR	259	279	294	-	290	313	330	-	330	356	375	-	376	405	428	-	423	456	481	-	423	456	481	-	468	503	531	-								
	LO PR	100	106	116	-	105	112	122	-	110	117	127	-	115	122	134	-	121	128	140	-	121	128	140	-	125	133	145	-								
70	MBh	228.3	236.7	259.3	-	223.0	231.2	253.3	-	217.7	225.7	247.2	-	212.4	220.1	241.2	-	201.8	209.1	229.1	-	201.8	209.1	229.1	-	186.9	193.7	212.3	-								
	S/T	0.72	0.60	0.42	-	0.75	0.63	0.43	-	0.77	0.64	0.44	-	0.79	0.66	0.46	-	0.82	0.69	0.48	-	0.82	0.69	0.48	-	0.83	0.69	0.48	-								
	ΔT	22	19	14	-	22	19	14	-	22	19	14	-	22	19	15	-	22	19	14	-	22	19	14	-	20	18	13	-								
	HI PR	256	276	291	-	288	310	327	-	327	352	372	-	373	401	423	-	419	451	476	-	419	451	476	-	463	498	526	-								
	LO PR	99	105	115	-	104	111	121	-	108	115	126	-	114	121	132	-	119	127	139	-	119	127	139	-	123	131	143	-								
5600	MBh	210.7	218.4	239.3	-	205.8	213.4	233.8	-	200.9	208.3	228.2	-	196.0	203.2	222.6	-	186.2	193.0	211.5	-	186.2	193.0	211.5	-	172.5	178.8	195.9	-								
	S/T	0.70	0.58	0.40	-	0.72	0.60	0.42	-	0.74	0.62	0.43	-	0.76	0.64	0.44	-	0.79	0.66	0.46	-	0.79	0.66	0.46	-	0.80	0.67	0.46	-								
	ΔT	24	21	16	-	24	21	16	-	24	21	16	-	25	21	16	-	24	21	16	-	24	21	16	-	23	20	15	-								
	HI PR	249	268	283	-	279	300	317	-	317	341	361	-	361	389	411	-	407	438	462	-	407	438	462	-	449	483	510	-								
	LO PR	96	102	111	-	101	108	118	-	105	112	122	-	110	118	128	-	116	123	134	-	116	123	134	-	120	127	139	-								
75	MBh	239.2	246.2	266.5	286.1	233.6	240.5	260.3	279.4	228.0	234.8	254.1	272.8	222.5	229.1	247.9	266.1	211.4	217.6	235.5	252.8	211.4	217.6	235.5	252.8	195.8	201.6	218.2	234.2								
	S/T	0.86	0.77	0.58	0.37	0.89	0.80	0.60	0.39	0.91	0.82	0.62	0.40	0.94	0.84	0.64	0.41	0.98	0.88	0.66	0.43	0.98	0.88	0.66	0.43	0.99	0.88	0.67	0.43								
	ΔT	24	22	18	13	24	22	18	13	24	22	18	13	25	23	19	13	24	22	18	13	24	22	18	13	23	21	17	12								
	HI PR	262	281	297	310	293	316	333	348	334	359	379	396	380	409	432	451	428	460	486	507	428	460	486	507	472	508	537	560								
	LO PR	101	107	117	125	106	113	124	132	111	118	129	137	116	124	135	144	122	130	141	151	122	130	141	151	126	134	146	156								
75	MBh	232.2	239.1	258.8	277.7	226.8	233.5	252.8	271.3	221.4	228.0	246.7	264.8	216.0	222.4	240.7	258.4	205.2	211.3	228.7	245.4	205.2	211.3	228.7	245.4	190.1	195.7	211.8	227.4								
	S/T	0.82	0.73	0.56	0.36	0.85	0.76	0.58	0.37	0.87	0.78	0.59	0.38	0.90	0.81	0.61	0.39	0.93	0.84	0.63	0.41	0.93	0.84	0.63	0.41	0.94	0.84	0.64	0.41								
	ΔT	25	23	19	13	25	23	19	13	25	23	19	13	26	24	19	13	25	23	19	13	25	23	19	13	24	22	18	12								
	HI PR	259	279	294	307	291	313	330	344	330	356	376	392	376	405	428	446	423	456	481	502	423	456	481	502	468	503	532	554								
	LO PR	100	106	116	123	105	112	122	130	110	117	127	136	115	122	134	142	121	128	140	149	121	128	140	149	125	133	145	154								
5600	MBh	214.3	220.7	238.8	256.3	209.3	215.5	233.3	250.4	204.4	210.4	227.7	244.4	199.4	205.3	222.2	238.5	189.4	195.0	211.1	226.5	189.4	195.0	211.1	226.5	175.4	180.6	195.5	209.8								
	S/T	0.79	0.71	0.54	0.34	0.82	0.73	0.56	0.36	0.84	0.75	0.57	0.37	0.87	0.78	0.59	0.38	0.90	0.81	0.61	0.39	0.90	0.81	0.61	0.39	0.91	0.81	0.62	0.40								
	ΔT	28	26	21	15	28	26	21	15	28	26	21	15	28	26	21	15	28	26	21	15	28	26	21	15	26	24	20	14								
	HI PR	251	270	285	298	282	303	320	334	321	345	364	380	365	393	415	433	411	442	467	487	411	442	467	487	454	488	516	538								
	LO PR	97	103	112	120	102	109	119	126	106	113	123	131	112	119	130	138	117	124	136	145	117	124	136	145	121	129	141	150								

IDB: Entering Indoor Dry Bulb Temperature

Shaded area reflects ACCA (TVA) conditions

High and low pressures are measured at the liquid and suction access fittings.

EXPANDED COOLING DATA — 20 TONS (TWO-SPEED MOTOR AT HIGH SPEED)

IDB		OUTDOOR AMBIENT TEMPERATURE																													
		65					75					85					95					105					115				
		ENTERING INDOOR WET BULB TEMPERATURE																													
AIRFLOW	59	63	67	71	59	63	67	71	59	63	67	71	59	63	67	71	59	63	67	71	59	63	67	71	59	63	67	71			
<b>7875</b>	MBh	243.4	248.7	265.7	284.1	237.8	242.9	259.6	277.5	232.1	237.2	253.4	270.9	226.4	231.4	247.2	264.3	215.1	219.8	234.8	251.0	199.3	203.6	217.5	232.5						
	S/T	0.94	0.89	0.72	0.54	1.00	0.92	0.75	0.56	1.00	0.94	0.77	0.57	1.00	1.00	0.79	0.59	1.00	1.00	0.82	0.61	1.00	1.00	0.83	0.62						
	ΔT	27	26	22	18	28	26	23	18	27	26	23	18	26	27	23	18	25	26	22	18	23	24	21	17						
	HI PR	264	284	300	313	296	319	337	351	337	363	383	400	384	413	436	455	432	465	491	512	477	514	542	566						
	LO PR	102	108	118	126	108	114	125	133	112	119	130	138	117	125	136	145	123	131	143	152	127	135	148	157						
<b>80</b>	MBh	236.3	241.5	258.0	275.8	230.8	235.9	252.0	269.4	225.3	230.3	246.0	263.0	219.8	224.6	240.0	256.6	208.8	213.4	228.0	243.7	193.5	197.7	211.2	225.8						
	S/T	0.90	0.84	0.69	0.51	0.93	0.88	0.71	0.53	0.96	0.90	0.73	0.55	0.99	0.93	0.75	0.56	1.00	0.96	0.78	0.58	1.00	0.97	0.79	0.59						
	ΔT	28	27	23	19	28	27	24	19	28	27	24	19	29	27	24	19	27	27	23	19	25	25	22	17						
	HI PR	262	281	297	310	293	316	334	348	334	359	379	396	380	409	432	451	428	460	486	507	473	509	537	560						
	LO PR	101	107	117	125	106	113	124	132	111	118	129	137	116	124	135	144	122	130	141	151	126	134	146	156						
<b>5600</b>	MBh	218.1	222.9	238.1	254.6	213.1	217.7	232.6	248.6	208.0	212.5	227.1	242.7	202.9	207.3	221.5	236.8	192.8	197.0	210.4	225.0	178.6	182.5	194.9	208.4						
	S/T	0.87	0.81	0.66	0.50	0.90	0.84	0.69	0.51	0.92	0.87	0.70	0.53	0.95	0.89	0.73	0.54	0.99	0.93	0.75	0.56	1.00	0.93	0.76	0.57						
	ΔT	31	30	26	21	31	30	26	21	32	30	26	21	32	30	26	21	31	30	26	21	29	28	24	19						
	HI PR	254	273	288	301	285	306	323	337	324	348	368	384	369	397	419	437	415	446	471	492	458	493	521	543						
	LO PR	98	104	114	121	103	110	120	128	107	114	125	133	113	120	131	139	118	126	137	146	122	130	142	151						
<b>7875</b>	MBh	247.7	252.5	264.4	282.1	241.9	246.6	258.3	275.5	236.2	240.7	252.1	269.0	230.4	234.8	246.0	262.4	218.9	223.1	233.7	249.3	202.7	206.7	216.4	230.9						
	S/T	0.99	0.96	0.86	0.70	1.00	0.99	0.89	0.72	1.00	1.00	0.92	0.74	1.00	1.00	0.95	0.77	1.00	1.00	0.98	0.80	1.00	1.00	0.99	0.80						
	ΔT	29	28	27	23	28	28	27	23	28	28	27	23	27	27	27	24	26	26	27	23	24	24	25	22						
	HI PR	267	287	303	316	299	322	340	355	340	366	387	404	388	417	441	460	436	469	496	517	482	519	548	571						
	LO PR	103	109	119	127	109	116	126	134	113	120	131	140	119	126	138	147	124	132	144	154	129	137	149	159						
<b>7000</b>	MBh	240.5	245.1	256.7	273.9	234.9	239.4	250.7	267.5	229.3	233.7	244.8	261.1	223.7	228.0	238.8	254.8	212.5	216.6	226.9	242.0	196.8	200.6	210.1	224.2						
	S/T	0.94	0.91	0.82	0.67	0.98	0.94	0.85	0.69	1.00	0.97	0.87	0.71	1.00	1.00	0.90	0.73	1.00	1.00	0.94	0.76	1.00	1.00	0.94	0.77						
	ΔT	30	29	28	24	30	30	28	24	30	30	28	24	29	30	28	24	28	28	28	24	26	26	26	23						
	HI PR	264	284	300	313	296	319	337	351	337	363	383	400	384	413	436	455	432	465	491	512	477	514	542	566						
	LO PR	102	108	118	126	108	114	125	133	112	119	130	138	117	125	136	145	123	131	143	152	127	135	148	157						
<b>5600</b>	MBh	221.9	226.2	236.9	252.8	216.8	221.0	231.4	246.9	211.6	215.7	225.9	241.0	206.5	210.5	220.4	235.1	196.1	199.9	209.4	223.4	180.7	185.2	194.0	206.9						
	S/T	0.91	0.88	0.79	0.64	0.94	0.91	0.82	0.67	0.97	0.93	0.84	0.68	1.00	0.96	0.87	0.71	1.00	1.00	0.90	0.73	1.00	1.00	0.91	0.74						
	ΔT	33	33	31	27	34	33	31	27	34	33	31	27	34	33	31	27	32	33	31	27	30	30	29	25						
	HI PR	256	276	291	304	288	309	327	341	327	352	372	388	372	401	423	441	419	451	476	497	463	498	526	549						
	LO PR	99	105	115	122	104	111	121	129	108	115	126	134	114	121	132	141	119	127	139	148	123	131	143	153						

High and low pressures are measured at the liquid and suction access fittings.

Shaded area reflects AHR1 (TVA) conditions

IDB: Entering Indoor Dry Bulb Temperature

EXPANDED COOLING DATA — 25 TONS (TWO-SPEED MOTOR ON HIGH SPEED)

IDB		OUTDOOR AMBIENT TEMPERATURE																								
		65				75				85				95				105				115				
		59	63	67	71	59	63	67	71	59	63	67	71	59	63	67	71	59	63	67	71	59	63	67	71	
		ENTERING INDOOR WET BULB TEMPERATURE																								
AIRFLOW		59	63	67	71	59	63	67	71	59	63	67	71	59	63	67	71	59	63	67	71	59	63	67	71	
70	9202	MBh	284.2	294.5	322.7	-	277.6	287.7	315.2	-	271.0	280.8	307.7	-	264.3	274.0	300.2	-	251.1	260.3	285.2	-	232.6	241.1	264.2	-
		S/T	0.67	0.56	0.39	-	0.70	0.58	0.40	-	0.72	0.60	0.41	-	0.74	0.62	0.43	-	0.77	0.64	0.44	-	0.77	0.65	0.45	-
		ΔT	19	17	13	-	19	17	13	-	19	17	13	-	19	17	13	-	19	17	13	-	18	16	12	-
		kW	22.18	22.65	23.36	-	23.88	24.39	25.17	-	25.38	25.93	26.77	-	26.70	27.29	28.19	-	27.83	28.45	29.39	-	28.80	29.44	30.43	-
		HI PR	270	290	306	-	303	326	344	-	344	370	391	-	392	422	445	-	441	475	501	-	487	524	554	-
	LO PR	102	108	118	-	108	115	125	-	112	119	130	-	118	125	137	-	123	131	143	-	127	136	148	-	
	8200	MBh	275.9	286.0	313.3	-	269.5	279.3	306.0	-	263.1	272.7	298.7	-	256.7	266.0	291.5	-	243.8	252.7	276.9	-	225.9	234.1	256.5	-
		S/T	0.64	0.54	0.37	-	0.67	0.56	0.38	-	0.68	0.57	0.39	-	0.70	0.59	0.41	-	0.73	0.61	0.42	-	0.74	0.62	0.43	-
		ΔT	20	17	13	-	20	17	13	-	20	17	13	-	20	18	13	-	20	17	13	-	19	16	12	-
		kW	22.00	22.47	23.17	-	23.69	24.20	24.97	-	25.17	25.72	26.55	-	26.48	27.07	27.95	-	27.60	28.21	29.14	-	28.56	29.20	30.17	-
HI PR		267	287	303	-	300	322	340	-	341	367	387	-	388	418	441	-	437	470	496	-	482	519	548	-	
LO PR	101	107	117	-	107	113	124	-	111	118	129	-	116	124	135	-	122	130	142	-	126	134	147	-		
7257	MBh	262.1	271.7	297.6	-	256.0	265.3	290.7	-	249.9	259.0	283.8	-	243.8	252.7	276.9	-	231.6	240.1	263.0	-	214.6	222.4	243.7	-	
	S/T	0.61	0.51	0.36	-	0.64	0.53	0.37	-	0.65	0.55	0.38	-	0.67	0.56	0.39	-	0.70	0.58	0.40	-	0.71	0.59	0.41	-	
	ΔT	20	18	13	-	21	18	14	-	21	18	14	-	21	18	14	-	21	18	13	-	19	17	13	-	
	kW	21.66	22.11	22.80	-	23.31	23.80	24.56	-	24.76	25.30	26.12	-	26.05	26.62	27.49	-	27.14	27.74	28.65	-	28.08	28.71	29.66	-	
	HI PR	262	282	297	-	294	316	334	-	334	359	379	-	380	409	432	-	428	460	486	-	473	509	537	-	
LO PR	99	105	115	-	105	111	121	-	109	116	126	-	114	121	133	-	120	127	139	-	124	132	144	-		
75	9202	MBh	289.0	297.5	322.1	345.7	282.3	290.6	314.6	337.6	275.6	283.7	307.1	329.6	268.8	276.8	299.6	321.5	255.4	262.9	284.6	305.5	236.6	243.6	263.6	283.0
		S/T	0.76	0.68	0.52	0.3	0.79	0.71	0.54	0.3	0.81	0.73	0.55	0.4	0.84	0.75	0.57	0.4	0.87	0.78	0.59	0.4	0.88	0.79	0.59	0.4
		ΔT	22	20	17	12	22	21	17	12	22	21	17	12	23	21	17	12	22	20	17	12	21	19	16	10.8
		kW	22.36	22.83	23.55	24.3	24.07	24.59	25.38	26.2	25.59	26.15	27.00	27.9	26.93	27.52	28.43	29.4	28.07	28.69	29.64	30.6	29.05	29.70	30.69	31.7
		HI PR	272	293	310	322.9	306	329	347	362.3	348	374	395	412.0	396	426	450	469.3	445	479	506	528.0	492	530	559	583.3
	LO PR	103	110	120	127.4	109	116	126	134.6	113	120	131	139.9	119	126	138	147.0	125	132	145	154.0	129	137	150	159.3	
	8200	MBh	280.6	288.9	312.7	335.6	274.1	282.2	305.4	327.8	267.5	275.4	298.1	320.0	261.0	268.7	290.9	312.2	248.0	255.3	276.3	296.6	229.7	236.5	256.0	274.7
		S/T	0.73	0.65	0.49	0.3	0.76	0.68	0.51	0.3	0.78	0.69	0.52	0.3	0.80	0.72	0.54	0.3	0.83	0.74	0.56	0.4	0.84	0.75	0.57	0.4
		ΔT	23	21	17	12	23	21	18	12	23	21	18	12	23	21	18	12	23	21	17	12	22	20	16	11.2
		kW	22.18	22.65	23.36	24.1	23.88	24.40	25.18	26.0	25.38	25.94	26.78	27.7	26.71	27.30	28.19	29.1	27.83	28.45	29.39	30.4	28.80	29.45	30.43	31.5
HI PR		270	290	307	319.7	303	326	344	358.7	344	370	391	408.0	392	422	446	464.7	441	475	501	522.7	487	524	554	577.6	
LO PR	102	108	118	126.1	108	115	125	133.3	112	119	130	138.5	118	125	137	145.5	123	131	143	152.5	128	136	148	157.7		
7257	MBh	266.5	274.4	297.1	318.8	260.3	268.1	290.1	311.4	254.1	261.7	283.2	304.0	248.0	255.3	276.3	296.6	235.6	242.5	262.5	281.7	218.2	224.7	243.2	261.0	
	S/T	0.70	0.63	0.47	0.3	0.72	0.65	0.49	0.3	0.74	0.66	0.50	0.3	0.77	0.69	0.52	0.3	0.80	0.71	0.54	0.3	0.80	0.72	0.54	0.3	
	ΔT	24	22	18	12	24	22	18	12	24	22	18	12	24	22	18	13	24	22	18	12	22	20	17	11.6	
	kW	21.83	22.29	22.99	23.7	23.50	24.00	24.77	25.6	24.97	25.51	26.34	27.2	26.27	26.84	27.72	28.6	27.37	27.98	28.90	29.9	28.32	28.95	29.91	30.9	
	HI PR	264	284	300	313.3	297	319	337	351.5	337	363	383	399.8	384	413	437	455.4	432	465	491	512.3	478	514	543	566.0	
LO PR	100	106	116	123.6	106	112	123	130.6	110	117	127	135.7	115	123	134	142.6	121	129	140	149.4	125	133	145	154.6		

IDB: Entering Indoor Dry Bulb Temperature  
 High and low pressures are measured at the liquid and suction access fittings.  
 Design Subcooling, 16 - 19°F @ the liquid access fitting connection ARI 95 test conditions. Design Superheat 8 - 12°F @ the compressor suction access fitting connection.  
 Shaded area reflects ACCA (TVA) Rating Conditions.  
 kW = Total system power  
 Amps: Unit amps (comp.+ evaporator + condenser fan motors)

EXPANDED COOLING DATA — 25 TONS (TWO-SPEED MOTOR ON HIGH SPEED)

IDB		OUTDOOR AMBIENT TEMPERATURE																								
		65				75				85				95				105				115				
		59	63	67	71	59	63	67	71	59	63	67	71	59	63	67	71	59	63	67	71	59	63	67	71	
		ENTERING INDOOR WET BULB TEMPERATURE																								
		AIRFLOW																								
<b>80</b>	9202	MBh	294.1	300.6	321.1	343.3	287.3	293.6	313.6	335.3	280.4	286.6	306.2	327.3	273.6	279.6	298.7	319.3	259.9	265.6	283.8	303.3	240.8	246.0	262.9	281.0
		S/T	0.84	0.79	0.64	0.5	0.87	0.82	0.66	0.5	0.89	0.84	0.68	0.5	0.92	0.86	0.70	0.5	0.96	0.90	0.73	0.5	0.96	0.90	0.74	0.5
		ΔT	25	24	21	16	25	24	21	17	25	24	21	17	25	24	21	17	25	24	21	17	23	22	19	15.4
		kW	22.54	23.01	23.74	24.5	24.27	24.79	25.59	26.4	25.80	26.37	27.23	28.1	27.15	27.75	28.67	29.6	28.30	28.93	29.89	30.9	29.29	29.95	30.95	32.0
		HI PR	275	296	313	326.1	309	332	351	366.0	351	378	399	416.2	400	430	455	474.0	450	484	511	533.3	497	535	565	589.2
	LO PR	104	111	121	128.7	110	117	128	136.0	114	122	133	141.3	120	128	139	148.4	126	134	146	155.6	130	138	151	160.9	
	8200	MBh	285.6	291.8	311.8	333.3	278.9	285.0	304.5	325.5	272.3	278.2	297.3	317.8	265.6	271.4	290.0	310.0	252.4	257.9	275.5	294.5	233.8	238.9	255.2	272.8
		S/T	0.80	0.75	0.61	0.5	0.83	0.78	0.63	0.5	0.85	0.80	0.65	0.5	0.88	0.82	0.67	0.5	0.91	0.85	0.70	0.5	0.92	0.86	0.70	0.5
		ΔT	26	25	21	17	26	25	22	17	26	25	22	17	26	25	22	17	26	25	21	17	24	23	20	16.0
		kW	22.36	22.83	23.55	24.3	24.08	24.59	25.38	26.2	25.59	26.15	27.00	27.9	26.93	27.53	28.43	29.4	28.07	28.69	29.64	30.6	29.05	29.70	30.69	31.7
		HI PR	272	293	310	322.9	306	329	347	362.3	348	374	395	412.1	396	426	450	469.4	446	479	506	528.0	492	530	559	583.4
		LO PR	103	110	120	127.4	109	116	126	134.6	113	120	131	139.9	119	126	138	147.0	125	132	145	154.0	129	137	150	159.3
	7257	MBh	271.3	277.2	296.2	316.6	265.0	270.8	289.3	309.2	258.7	264.3	282.4	301.9	252.4	257.9	275.5	294.5	239.7	245.0	261.7	279.8	222.1	226.9	242.4	259.2
		S/T	0.77	0.72	0.59	0.4	0.79	0.74	0.61	0.5	0.81	0.76	0.62	0.5	0.84	0.79	0.64	0.5	0.87	0.82	0.67	0.5	0.88	0.83	0.67	0.5
		ΔT	26	25	22	18	27	26	22	18	27	26	22	18	27	26	22	18	27	25	22	18	25	24	21	16.5
		kW	22.00	22.47	23.17	23.9	23.69	24.20	24.97	25.8	25.17	25.72	26.55	27.4	26.48	27.07	27.95	28.9	27.60	28.21	29.14	30.1	28.56	29.20	30.17	31.2
		HI PR	267	287	303	316.5	300	322	340	355.1	341	367	387	403.8	388	418	441	460.0	437	470	496	517.5	482	519	548	571.7
		LO PR	101	107	117	124.9	107	113	124	131.9	111	118	129	137.1	116	124	135	144.0	122	130	142	150.9	126	134	147	156.1
<b>85</b>	9202	MBh	299.3	305.1	319.5	340.9	292.3	298.0	312.1	332.9	285.3	290.9	304.6	325.0	278.4	283.8	297.2	317.1	264.5	269.6	282.3	301.2	245.0	249.7	261.5	279.0
		S/T	0.88	0.85	0.77	0.6	0.91	0.88	0.79	0.6	0.93	0.90	0.81	0.7	0.96	0.93	0.84	0.7	1.00	0.97	0.87	0.7	1.00	0.97	0.88	0.7
		ΔT	26	26	24	21	27	26	25	21	27	26	25	21	27	26	25	22	26	26	25	21	24	24	23	19.9
		kW	22.72	23.20	23.93	24.7	24.47	25.00	25.80	26.6	26.01	26.58	27.45	28.4	27.38	27.99	28.91	29.9	28.54	29.18	30.15	31.2	29.54	30.20	31.21	32.3
		HI PR	278	299	316	329.4	312	336	354	369.6	355	382	403	420.4	404	435	459	478.8	454	489	516	538.6	502	540	571	595.1
	LO PR	105	112	122	130.0	111	118	129	137.3	115	123	134	142.7	121	129	141	149.9	127	135	148	157.1	131	140	153	162.5	
	8200	MBh	290.6	296.2	310.2	330.9	283.8	289.3	303.0	323.2	277.0	282.4	295.8	315.5	270.3	275.5	288.6	307.8	256.8	261.7	274.1	292.4	237.8	242.5	253.9	270.9
		S/T	0.84	0.81	0.73	0.6	0.87	0.84	0.76	0.6	0.89	0.86	0.78	0.6	0.92	0.89	0.80	0.7	0.96	0.92	0.83	0.7	0.96	0.93	0.84	0.7
		ΔT	27	27	25	22	28	27	26	22	28	27	26	22	28	27	26	22	27	27	26	22	26	25	24	20.7
		kW	22.54	23.01	23.74	24.5	24.27	24.79	25.59	26.4	25.80	26.37	27.23	28.1	27.15	27.75	28.67	29.6	28.30	28.93	29.89	30.9	29.29	29.95	30.95	32.0
		HI PR	275	296	313	326.1	309	332	351	366.0	351	378	399	416.2	400	430	455	474.0	450	484	511	533.3	497	535	565	589.2
		LO PR	104	111	121	128.7	110	117	128	136.0	114	122	133	141.3	120	128	139	148.4	126	134	146	155.6	130	138	151	160.9
	7257	MBh	276.0	281.4	294.7	314.4	269.6	274.8	287.8	307.1	263.2	268.3	281.0	299.8	256.8	261.7	274.1	292.4	243.9	248.6	260.4	277.8	226.0	230.3	241.2	257.4
		S/T	0.80	0.78	0.70	0.6	0.83	0.80	0.73	0.6	0.85	0.82	0.74	0.6	0.88	0.85	0.77	0.6	0.91	0.88	0.80	0.6	0.92	0.89	0.80	0.7
		ΔT	28	28	26	23	28	28	26	23	28	28	26	23	29	28	27	23	28	28	26	23	26	26	25	21.3
		kW	22.18	22.65	23.36	24.1	23.88	24.39	25.17	26.0	25.38	25.93	26.77	27.7	26.70	27.29	28.19	29.1	27.83	28.45	29.39	30.4	28.80	29.44	30.43	31.5
		HI PR	270	290	306	319.6	303	326	344	358.6	344	370	391	407.9	392	422	445	464.6	441	475	501	522.6	487	524	554	577.5
		LO PR	102	108	118	126.1	108	115	125	133.3	112	119	130	138.5	118	125	137	145.5	123	131	143	152.5	127	136	148	157.7

IDB: Entering Indoor Dry Bulb Temperature  
 High and low pressures are measured at the liquid and suction access fittings.  
 Design Subcooling, 16 - 19°F @ the liquid access fitting connection ARI 95 test conditions. Design Superheat 8 - 12°F @ the compressor suction access fitting connection.  
 Shaded area reflects AHRJ Rating Conditions.  
 Amps: Unit amps (comp.+ evaporator + condenser fan motors)  
 kW = Total system power

STANDARD TWO-SPEED BELT DRIVE AT HIGH SPEED — DOWN SHOT

ESP (" H <sub>2</sub> O)	TURNS OPEN													
	0		1		2		3		4		5		6	
	CFM	BHP	CFM	BHP	CFM	BHP	CFM	BHP	CFM	BHP	CFM	BHP	CFM	BHP
0.2	---	---	---	---	---	---	---	---	---	---	7203	2.18	6718	1.84
0.4	---	---	---	---	---	---	7306	2.54	6777	2.14	6257	1.80	5711	1.48
0.6	---	---	7477	2.97	6899	2.51	6323	2.10	5716	1.72	5103	1.39	---	---
0.8	7112	2.96	6467	2.46	5795	2.01	5101	1.61	---	---	---	---	---	---
1.0	5983	2.38	5190	1.89	---	---	---	---	---	---	---	---	---	---
1.2	4426	1.71	---	---	---	---	---	---	---	---	---	---	---	---

TWO-SPEED HIGH-STATIC BELT DRIVE AT HIGH SPEED — DOWN SHOT

ESP (" H <sub>2</sub> O)	TURNS OPEN											
	0		1		2		3		4		5	
	CFM	BHP	CFM	BHP	CFM	BHP	CFM	BHP	CFM	BHP	CFM	BHP
0.8	---	---	---	---	---	---	---	---	---	---	6580	4.30
1.0	---	---	---	---	---	---	6930	5.14	6432	4.53	5908	3.98
1.2	---	---	---	---	6866	5.52	6382	4.80	5916	4.24	5370	3.68
1.4	---	---	6779	5.80	6417	5.22	5914	4.52	5307	3.89	---	---
1.6	6685	6.06	6391	5.52	5954	4.90	5288	4.18	---	---	---	---
1.8	6248	5.75	5782	5.09	5261	4.50	---	---	---	---	---	---
2.0	5664	5.31	5111	4.71	---	---	---	---	---	---	---	---
2.2	5053	4.81	---	---	---	---	---	---	---	---	---	---

AIRFLOW DATA — 20 TONS

STANDARD TWO-SPEED BELT DRIVE AT HIGH SPEED — DOWN SHOT

ESP (" H <sub>2</sub> O)	TURNS OPEN													
	0		1		2		3		4		5		6	
	CFM	BHP	CFM	BHP	CFM	BHP	CFM	BHP	CFM	BHP	CFM	BHP	CFM	BHP
0.2	---	---	---	---	---	---	---	---	---	---	---	---	9664	4.05
0.4	---	---	---	---	---	---	---	---	9570	4.08	9197	3.82	8702	3.51
0.6	---	---	---	---	---	---	9038	3.82	8460	3.46	7949	3.14	---	---
0.8	---	---	8171	2.93	7630	3.70	7068	2.79	---	---	---	---	---	---
1.0	---	---	7901	2.85	7203	3.42	---	---	---	---	---	---	---	---
1.2	7344	4.35	---	---	---	---	---	---	---	---	---	---	---	---

TWO-SPEED HIGH-STATIC BELT DRIVE AT HIGH SPEED — DOWN SHOT

ESP (" H <sub>2</sub> O)	TURNS OPEN											
	0		1		2		3		4		5	
	CFM	BHP	CFM	BHP	CFM	BHP	CFM	BHP	CFM	BHP	CFM	BHP
0.8	---	---	---	---	---	---	---	---	8765	6.05	8225	5.38
1.0	---	---	---	---	---	---	8663	6.43	8040	5.67	7385	4.97
1.2	---	---	8978	7.61	8583	6.90	7978	6.00	7395	5.30	6713	4.60
1.4	8845	7.87	8474	7.26	8021	6.52	7393	5.65	6634	4.86	---	---
1.6	8356	7.58	7989	6.89	7442	6.13	6610	5.22	---	---	---	---
1.8	7810	7.18	7227	6.37	6576	5.62	---	---	---	---	---	---
2.0	7080	6.64	6389	5.89	---	---	---	---	---	---	---	---
2.2	6316	6.02	---	---	---	---	---	---	---	---	---	---

NOTES

- Airflow table represent dry coil with filters installed; SCFM correction factor for wet coil is 4%.
- Any adjustment made to the blower should not cause the motor to draw more than the motor rated RLA. Minimum rated SCFM is 350 per ton.
- Unit factory shipped with the sheave set at 2.5 turns open.

**STANDARD TWO-SPEED BELT DRIVE AT HIGH SPEED - DOWN SHOT**

Turns Open	0		1		2		3		4		5		6	
RPM	972		941		910		877		845		813		781	
ESP	SCFM	BHP	SCFM	BHP	SCFM	BHP	SCFM	BHP	SCFM	BHP	SCFM	BHP	SCFM	BHP
0.2	---	---	---	---	---	---	10,369	5.07	9,748	4.41	9,191	3.82	8,683	3.28
0.4	---	---	10,802	6.00	10,125	5.30	9,484	4.62	8,905	4.01	8,386	3.46	7,913	2.95
0.6	10,519	6.20	9,821	5.47	9,193	4.81	8,599	4.18	8,062	3.61	7,582	3.10	7,143	2.63
0.8	9,482	5.60	8,839	4.93	8,261	4.32	7,714	3.74	7,220	3.21	6,777	2.74	---	---
1	8,446	5.01	7,857	4.39	7,329	3.83	6,829	3.30	---	---	---	---	---	---
1.2	7,409	4.41	6,876	3.85	---	---	---	---	---	---	---	---	---	---

**TWO-SPEED HIGH STATIC BELT DRIVE AT HIGH SPEED - DOWN SHOT**

Turns Open	0		1		2		3		4		5		6	
RPM	1254		1208		1163		1124		1085		1046		1007	
ESP	SCFM	BHP	SCFM	BHP	SCFM	BHP	SCFM	BHP	SCFM	BHP	SCFM	BHP	SCFM	BHP
0.6	---	---	---	---	---	---	---	---	---	---	---	---	11,409	7.12
0.8	---	---	---	---	---	---	---	---	---	---	---	---	10,302	6.46
1	---	---	---	---	---	---	---	---	---	---	10,159	6.79	9,195	5.79
1.2	---	---	---	---	---	---	---	---	9,990	7.11	8,961	6.04	8,087	5.13
1.4	---	---	---	---	---	---	9,789	7.39	8,686	6.25	7,763	5.29	6,980	4.46
1.6	---	---	---	---	9,543	7.63	8,357	6.40	7,382	5.39	6,566	4.53	---	---
1.8	---	---	---	---	7,957	6.48	6,925	5.41	6,077	4.53	---	---	---	---
2	---	---	7,667	6.68	6,370	5.34	---	---	---	---	---	---	---	---
2.2	7,280	6.78	---	---	---	---	---	---	---	---	---	---	---	---

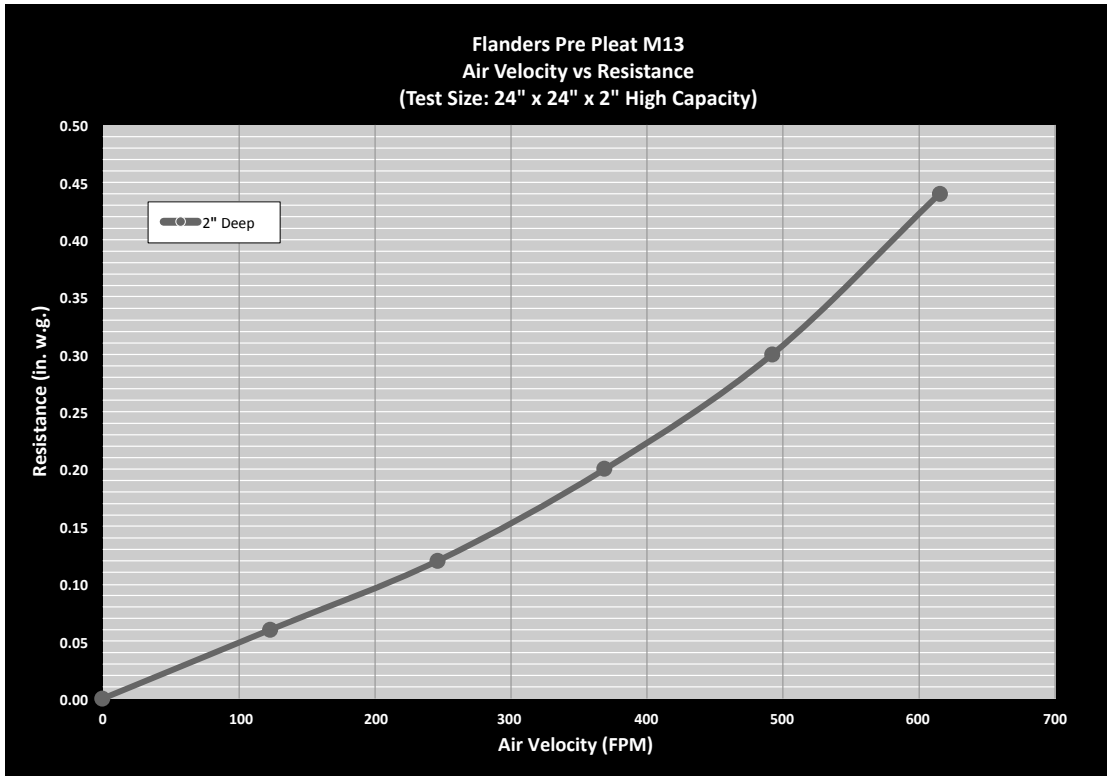
**NOTES**

- Airflow table represent dry coil with filters installed; SCFM correction factor for wet coil is 4%.
- Any adjustment made to the blower should not cause the motor to draw more than the motor rated RLA. Minimum rated SCFM is 350 per ton.
- Unit factory shipped with the sheave set at 2.5 turns open.

**AIRFLOW PRESSURE DROP OF DOWNFLOW ECONOMIZER FOR 15- TO 25-TON ROOFTOP UNITS (100% RETURN AIR)**

CFM	4,500	5,000	5,500	6,000	6,500	7,000	7,500	8,000	8,500	9,000	9,500	10,000
(In. WG)	0.15	0.18	0.22	0.27	0.32	0.37	0.42	0.48	0.55	0.61	0.69	0.76

HIGH EFFICIENCY MERV 13 AIR FILTER OPTION



TONNAGE:	FILTER NOMINAL SIZE:	PART NUMBER:	ORDER QTY:
15, 20	20 x 25 x 2	0160L00202	6
25	20 X 20 X 2	0160L00201	8

**CRANKCASE HEATER SELECTION TABLE**

ZP/ZPS...	COMPRESSOR DIAMETER	COMPRESSOR VOLTAGE			CRANKCASE HEATER WATTS
		230V	460V	575V	
16-31	5.5"	0163R00002S	0163R00031S	0163R00032S	40
39-83	6.58/7.3"	0130L00017S	0130L00018S	0130L00019S	70
103-137	9.14"	0130L00020S	0130L00021S	0130L00022S	90

DC* TONNAGE	COMPRESSOR VOLTAGE			CRANKCASE HEATER WATTS
	230V	460V	575V	
15-20 Ton**	0130L00017S	0130L00018S	0130L00019S	70
25 Ton	0130L00020S	0130L00021S	0130L00022S	90

\*Includes C,G&H models.

\*\*If Compressor Diameter is 9.14" then use 25 Ton Crankcase heaters.

**DCC180\*\*\*(3V) @ 208 / 240V – 15 TONS**

MODEL	RECOMMENDED AIRFLOW RANGE
EHK3-31	5250 - 6750 CFM
EHK3-46	5250 - 6750 CFM
EHK3-60	5250 - 6750 CFM

**DCC180\*\*\*(4V) @ 480V – 15 TONS**

MODEL	RECOMMENDED AIRFLOW RANGE
EHK4-31	5250 - 6750 CFM
EHK4-46	5250 - 6750 CFM
EHK4-60	5250 - 6750 CFM

**DCC180\*\*\*(7V) @575V – 15 TONS**

MODEL	RECOMMENDED AIRFLOW RANGE
EHK7-31	5250 - 6750 CFM
EHK7-46	5250 - 6750 CFM
EHK7-60	5250 - 6750 CFM

**DCC300\*\*\*(3V) @ 240 / 240V – 25 TONS**

MODEL	AIRFLOW RANGE
EHK3-31	7200 - 8500 CFM
EHK3-46	7200 - 8500 CFM
EHK3-60	7200 - 8500 CFM
EHK3-75	7200 - 8500 CFM

**DCC300\*\*\*(4V) @ 480V – 25 TONS**

MODEL	AIRFLOW RANGE
EHK4-31	7200 - 8500 CFM
EHK4-46	7200 - 8500 CFM
EHK4-60	7200 - 8500 CFM
EHK4-75	7200 - 8500 CFM

**DCC300\*\*\*(7V) @ 575V – 25 TONS**

MODEL	AIRFLOW RANGE
EHK7-31	7200 - 8500 CFM
EHK7-46	7200 - 8500 CFM
EHK7-60	7200 - 8500 CFM
EHK7-75	7200 - 8500 CFM

**DCC240\*\*\*(3V) @ 208 / 240V – 20 TONS**

MODEL	RECOMMENDED AIRFLOW RANGE
EHK3-31	7200 - 8500 CFM
EHK3-46	7200 - 8500 CFM
EHK3-60	7200 - 8500 CFM
EHK3-75	7200 - 8500 CFM

**DCC240\*\*\*(4V) @ 480V – 20 TONS**

MODEL	RECOMMENDED AIRFLOW RANGE
EHK4-31	7200 - 8500 CFM
EHK4-46	7200 - 8500 CFM
EHK4-60	7200 - 8500 CFM
EHK4-75	7200 - 8500 CFM

**DCC240\*\*\*(7V) @575V – 20 TONS**

MODEL	RECOMMENDED AIRFLOW RANGE
EHK7-31	7200 - 8500 CFM
EHK7-46	7200 - 8500 CFM
EHK7-60	7200 - 8500 CFM
EHK7-75	7200 - 8500 CFM

Note: When using electric heat kit, the single-point kit installed in the unit is needed to meet UL requirements.

**kW CORRECTION FACTORS**

kW CORRECTION FACTOR (FOR 208/230V UNITS)					
SUPPLY VOLTAGE	240	230	220	210	208
CORRECTION FACTOR	1	0.92	0.84	0.77	0.75

kW CORRECTION FACTOR (FOR 460V UNITS)			
SUPPLY VOLTAGE	460	440	430
CORRECTION FACTOR	0.92	0.84	0.8

kW CORRECTION FACTOR (FOR 575V UNITS)			
SUPPLY VOLTAGE	560	550	540
CORRECTION FACTOR	0.95	0.91	0.88



MODEL NUMBER	ELECTRICAL RATING	COMPRESSOR CIRCUIT 1		COMPRESSOR CIRCUIT 2		OUTDOOR FAN MOTOR			INDOOR FAN MOTOR			OPTIONAL ELECTRIC HEAT			OPTIONAL POWERED CONVENIENCE OUTLET	UNIT POWER SUPPLY	
		RLA	LRA	RLA	LRA	QTY	HP	FLA	TYPE	HP	FLA	MODEL	KW*	FLA	FLA	MCA	MOP
DCC180XXX3W	208/230-3-60	25.0	164.0	25.0	164.0	3	0.33	2.0	2-speed High Static Belt Drive	7.50	20.3	-	-	-	-	82.6 / 82.6	100 / 100
												EHK3-31	21.6 / 28.8	60.0 / 69.3	-	100 / 112	100 / 125
												EHK3-46	32.4 / 43.2	90.1 / 104	-	138 / 155	150 / 175
												EHK3-60	43.3 / 57.6	120 / 139	-	175 / 164	175 / 175
												-	-	-	7.2 / 6.5	89.8 / 89.1	110 / 110
												EHK3-31	21.6 / 28.8	60.0 / 69.3	7.2 / 6.5	109 / 120	110 / 125
												EHK3-46	32.4 / 43.2	90.1 / 104	7.2 / 6.5	147 / 163	150 / 175
EHK3-60	43.3 / 57.6	120 / 139	7.2 / 6.5	184 / 172	200 / 175												
DCC180XXX3V	208/230-3-60	25.0	164.0	25.0	164.0	3	0.33	2.0	2-speed Belt Drive	3.00	9.1	-	-	-	-	71.4 / 71.4	90 / 90
												EHK3-31	21.6 / 28.8	60.0 / 69.3	-	86.4 / 98.0	90 / 100
												EHK3-46	32.4 / 43.2	90.1 / 104	-	124 / 141	125 / 150
												EHK3-60	43.3 / 57.6	120 / 139	-	161 / 150	175 / 175
												-	-	-	7.2 / 6.5	78.6 / 77.9	100 / 100
												EHK3-31	21.6 / 28.8	60.0 / 69.3	7.2 / 6.5	95.4 / 106	100 / 110
												EHK3-46	32.4 / 43.2	90.1 / 104	7.2 / 6.5	133 / 149	150 / 150
EHK3-60	43.3 / 57.6	120 / 139	7.2 / 6.5	170 / 158	175 / 175												
DCC180XXX4W	460-3-60	12.2	100.0	12.2	100.0	3	0.33	0.9	2-speed High Static Belt Drive	7.50	9.5	-	-	-	-	39.5	50
												EHK4-31	28.8	34.6	-	55.2	60
												EHK4-46	43.2	52.0	-	76.8	80
												EHK4-60	57.6	69.3	-	81.2	90
												-	-	-	3.3	42.8	50
												EHK4-31	28.8	34.6	3.3	59.3	60
												EHK4-46	43.2	52.0	3.3	81.0	90
EHK4-60	57.6	69.3	3.3	85.3	90												
DCC180XXX4V	460-3-60	12.2	100.0	12.2	100.0	3	0.33	0.9	2-speed Belt Drive	3.00	4.3	-	-	-	-	34.3	45
												EHK4-31	28.8	34.6	-	48.7	50
												EHK4-46	43.2	52.0	-	70.3	80
												EHK4-60	57.6	69.3	-	74.7	80
												-	-	-	3.3	37.6	45
												EHK4-31	28.8	34.6	3.3	52.8	60
												EHK4-46	43.2	52.0	3.3	74.5	80
EHK4-60	57.6	69.3	3.3	78.8	90												
DCC180XXX7W	575-3-60	9.0	78.0	9.0	78.0	3	0.33	0.7	2-speed High Static Belt Drive	7.50	7.5	-	-	-	-	29.8	35
												EHK7-31	28.8	28.9	-	45.5	50
												EHK7-46	43.2	43.4	-	63.6	70
												EHK7-60	57.6	57.8	-	67.2	80
												-	-	-	2.6	32.4	40
												EHK7-31	28.8	28.9	2.6	48.8	50
												EHK7-46	43.2	43.4	2.6	66.8	70
EHK7-60	57.6	57.8	2.6	70.5	80												
DCC180XXX7V	575-3-60	9.0	78.0	9.0	78.0	3	0.33	0.7	2-speed Belt Drive	3.00	3.5	-	-	-	-	25.8	30
												EHK7-31	28.8	28.9	-	40.5	45
												EHK7-46	43.2	43.4	-	58.6	60
												EHK7-60	57.6	57.8	-	62.2	70
												-	-	-	2.6	28.4	35
												EHK7-31	28.8	28.9	2.6	43.8	45
												EHK7-46	43.2	43.4	2.6	61.8	70
EHK7-60	57.6	57.8	2.6	65.5	70												

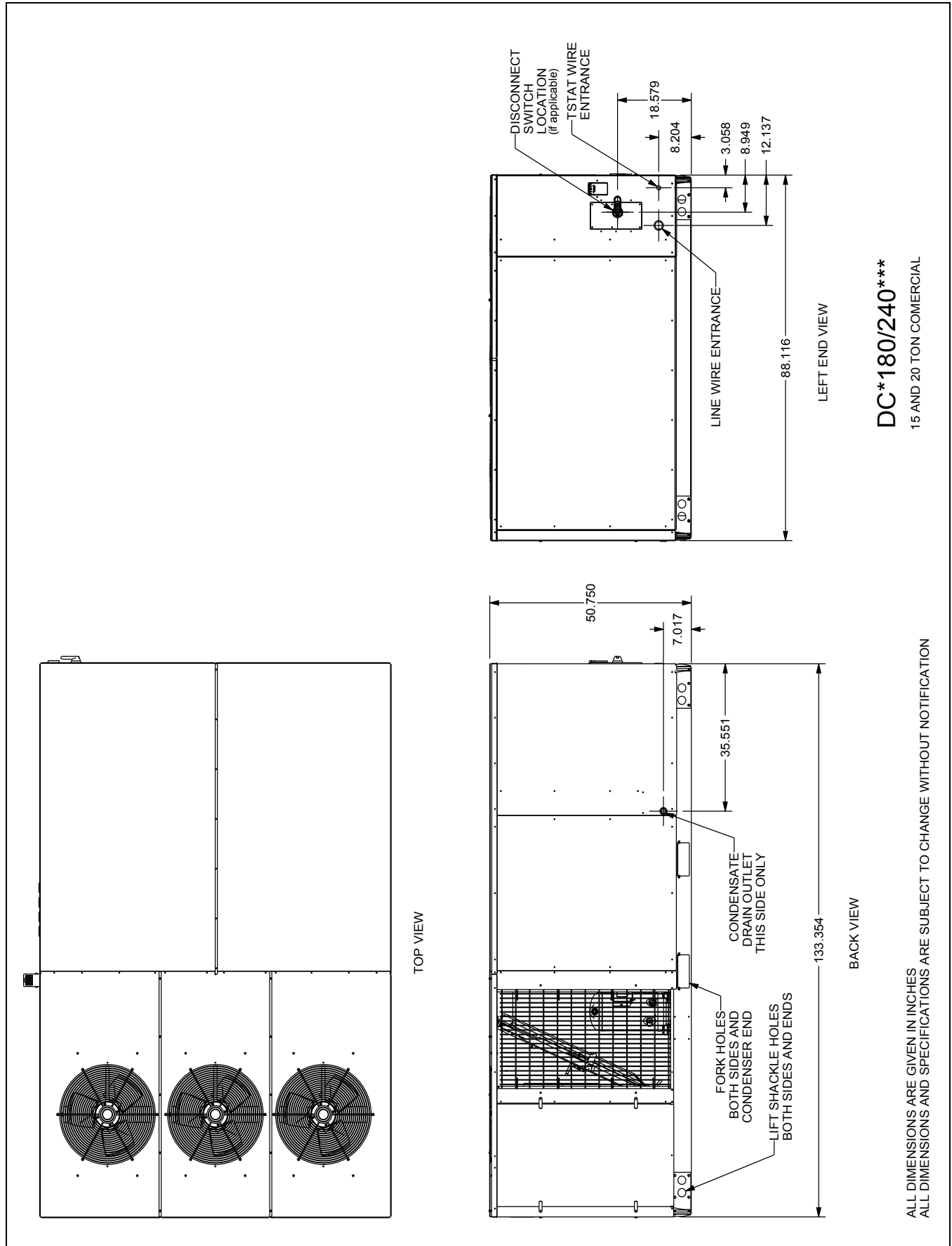
\* Electric Heater kW rating: Rated at 240v for 208-230v units; 480v for 460v units

MODEL NUMBER	ELECTRICAL RATING	COMPRESSOR CIRCUIT 1		COMPRESSOR CIRCUIT 2		OUTDOOR FAN MOTOR			INDOOR FAN MOTOR			OPTIONAL ELECTRIC HEAT			OPTIONAL POWERED CONVENIENCE OUTLET	UNIT POWER SUPPLY	
		RLA	LRA	RLA	LRA	QTY	HP	FLA	TYPE	HP	FLA	MODEL	KW*	FLA	FLA	MCA	MOP
DCC240XXX3W	208/230-3-60	34.0	240.0	34.0	240.0	3	0.33	2.0	2-speed High Static Belt Drive	7.50	20.3	-	-	-	-	103 / 103	125 / 125
												EHK3-31	21.6 / 28.8	60.0 / 69.3	-	103 / 112	125 / 125
												EHK3-46	32.4 / 43.2	90.1 / 104	-	138 / 155	150 / 175
												EHK3-60	43.3 / 57.6	120 / 139	-	175 / 164	175 / 175
												EHK3-75	54.1 / 72.0	150 / 173	-	175 / 199	200 / 225
												-	-	-	7.2 / 6.5	110 / 109	125 / 125
												EHK3-31	21.6 / 28.8	60.0 / 69.3	7.2 / 6.5	110 / 120	125 / 125
												EHK3-46	32.4 / 43.2	90.1 / 104	7.2 / 6.5	147 / 163	150 / 175
DCC240XXX3V	208/230-3-60	34.0	240.0	34.0	240.0	3	0.33	2.0	2-speed Belt Drive	5.00	14.0	-	-	-	-	96.4 / 96.4	125 / 125
												EHK3-31	21.6 / 28.8	60.0 / 69.3	-	96.4 / 104	125 / 125
												EHK3-46	32.4 / 43.2	90.1 / 104	-	130 / 147	150 / 150
												EHK3-60	43.3 / 57.6	120 / 139	-	168 / 156	175 / 175
												EHK3-75	54.1 / 72.0	150 / 173	-	168 / 191	200 / 225
												-	-	-	7.2 / 6.5	104 / 103	125 / 125
												EHK3-31	21.6 / 28.8	60.0 / 69.3	7.2 / 6.5	104 / 112	125 / 125
												EHK3-46	32.4 / 43.2	90.1 / 104	7.2 / 6.5	139 / 156	150 / 175
DCC240XXX4W	460-3-60	16.0	140.0	16.0	140.0	3	0.33	0.9	2-speed High Static Belt Drive	7.50	9.5	-	-	-	-	48.1	60
												EHK4-31	28.8	34.6	-	55.2	60
												EHK4-46	43.2	52.0	-	76.8	80
												EHK4-60	57.6	69.3	-	81.2	90
												EHK4-75	72.0	86.6	-	98.5	110
												-	-	-	3.3	51.4	60
												EHK4-31	28.8	34.6	3.3	59.3	60
												EHK4-46	43.2	52.0	3.3	81.0	90
DCC240XXX4V	460-3-60	16.0	140.0	16.0	140.0	3	0.33	0.9	2-speed Belt Drive	5.00	6.6	-	-	-	-	45.2	60
												EHK4-31	28.8	34.6	-	51.6	60
												EHK4-46	43.2	52.0	-	73.2	80
												EHK4-60	57.6	69.3	-	77.5	90
												EHK4-75	72.0	86.6	-	94.9	110
												-	-	-	3.3	48.5	60
												EHK4-31	28.8	34.6	3.3	55.7	60
												EHK4-46	43.2	52.0	3.3	77.3	80
DCC240XXX7W	575-3-60	12.9	107.6	12.9	107.6	3	0.33	0.7	2-speed High Static Belt Drive	7.50	7.5	-	-	-	-	38.7	50
												EHK7-31	28.8	28.9	-	45.5	50
												EHK7-46	43.2	43.4	-	63.6	70
												EHK7-60	57.6	57.8	-	67.2	80
												EHK7-75	72.0	72.3	-	81.7	90
												-	-	-	2.6	41.3	50
												EHK7-31	28.8	28.9	2.6	48.8	50
												EHK7-46	43.2	43.4	2.6	66.8	70
DCC240XXX7V	575-3-60	12.9	107.6	12.9	107.6	3	0.33	0.7	2-speed Belt Drive	5.00	5.2	-	-	-	-	36.4	45
												EHK7-31	28.8	28.9	-	42.6	45
												EHK7-46	43.2	43.4	-	60.7	70
												EHK7-60	57.6	57.8	-	64.3	70
												EHK7-75	72.0	72.3	-	78.8	90
												-	-	-	2.6	39.0	50
												EHK7-31	28.8	28.9	2.6	45.9	50
												EHK7-46	43.2	43.4	2.6	64.0	70

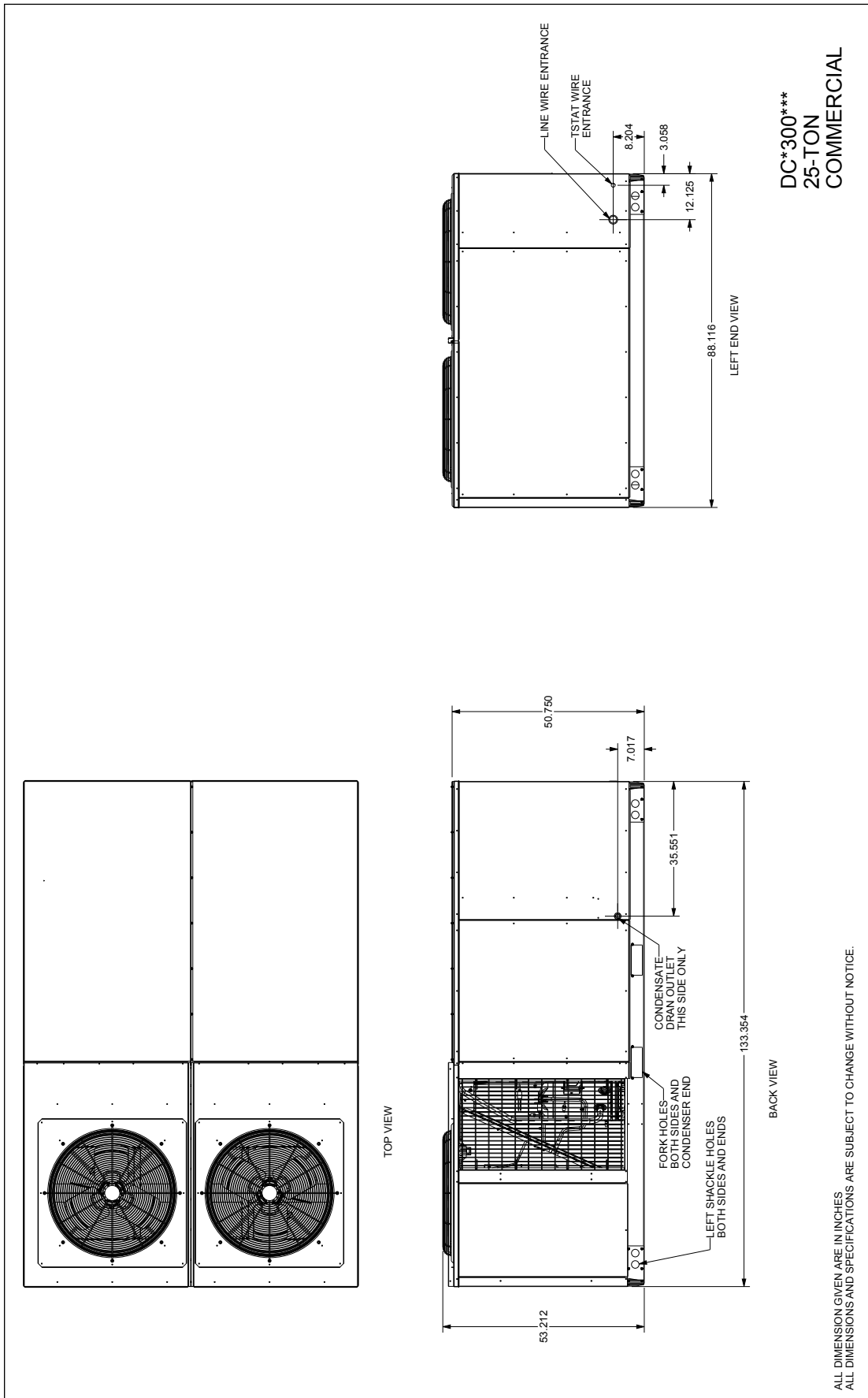
\* Electric Heater kW rating: Rated at 240v for 208-230v units; 480v for 460v units

MODEL NUMBER	ELECTRICAL RATING	COMPRESSOR CIRCUIT 1		COMPRESSOR CIRCUIT 2		OUTDOOR FAN MOTOR			INDOOR FAN MOTOR			OPTIONAL ELECTRIC HEAT			OPTIONAL POWERED CONVENIENCE OUTLET	UNIT POWER SUPPLY	
		RLA	LRA	RLA	LRA	QTY	HP	FLA	TYPE	HP	FLA	MODEL	KW*	FLA	FLA	MCA	MOP
DCC300XXX3W	208/230-3-60	48.1	245.0	48.1	245.0	2	1.00	4.2	2-speed High Static Belt Drive	7.50	21.0	-	-	-	-	138 / 138	175 / 175
												EHK3-31	21.6 / 28.8	60.0 / 69.3	-	138 / 138	175 / 175
												EHK3-46	32.4 / 43.2	90.1 / 104	-	139 / 156	175 / 175
												EHK3-60	43.3 / 57.6	120 / 139	-	176 / 165	200 / 175
												EHK3-75	54.1 / 72.0	150 / 173	-	176 / 199	200 / 225
												-	-	-	7.2 / 6.5	145 / 144	175 / 175
												EHK3-31	21.6 / 28.8	60.0 / 69.3	7.2 / 6.5	145 / 144	175 / 175
												EHK3-46	32.4 / 43.2	90.1 / 104	7.2 / 6.5	148 / 164	175 / 175
												EHK3-60	43.3 / 57.6	120 / 139	7.2 / 6.5	185 / 173	200 / 175
EHK3-75	54.1 / 72.0	150 / 173	7.2 / 6.5	185 / 208	200 / 225												
DCC300XXX3V	208/230-3-60	48.1	245.0	48.1	245.0	2	1.00	4.2	2-speed Belt Drive	7.50	21.0	-	-	-	-	138 / 138	175 / 175
												EHK3-31	21.6 / 28.8	60.0 / 69.3	-	138 / 138	175 / 175
												EHK3-46	32.4 / 43.2	90.1 / 104	-	139 / 156	175 / 175
												EHK3-60	43.3 / 57.6	120 / 139	-	176 / 165	200 / 175
												EHK3-75	54.1 / 72.0	150 / 173	-	176 / 199	200 / 225
												-	-	-	7.2 / 6.5	145 / 144	175 / 175
												EHK3-31	21.6 / 28.8	60.0 / 69.3	7.2 / 6.5	145 / 144	175 / 175
												EHK3-46	32.4 / 43.2	90.1 / 104	7.2 / 6.5	148 / 164	175 / 175
												EHK3-60	43.3 / 57.6	120 / 139	7.2 / 6.5	185 / 173	200 / 175
EHK3-75	54.1 / 72.0	150 / 173	7.2 / 6.5	185 / 208	200 / 225												
DCC300XXX4W	460-3-60	18.6	125.0	18.6	125.0	2	1.00	2.1	2-speed High Static Belt Drive	7.50	10.1	-	-	-	-	56.1	70
												EHK4-31	28.8	34.6	-	56.1	70
												EHK4-46	43.2	52.0	-	77.6	80
												EHK4-60	57.6	69.3	-	81.9	90
												EHK4-75	72.0	86.6	-	99.2	110
												-	-	-	3.3	59.4	70
												EHK4-31	28.8	34.6	3.3	60.1	70
												EHK4-46	43.2	52.0	3.3	81.7	90
												EHK4-60	57.6	69.3	3.3	86.0	90
EHK4-75	72.0	86.6	3.3	103	110												
DCC300XXX4V	460-3-60	18.6	125.0	18.6	125.0	2	1.00	2.1	2-speed Belt Drive	7.50	10.1	-	-	-	-	56.1	70
												EHK4-31	28.8	34.6	-	56.1	70
												EHK4-46	43.2	52.0	-	77.6	80
												EHK4-60	57.6	69.3	-	81.9	90
												EHK4-75	72.0	86.6	-	99.2	110
												-	-	-	3.3	59.4	70
												EHK4-31	28.8	34.6	3.3	60.1	70
												EHK4-46	43.2	52.0	3.3	81.7	90
												EHK4-60	57.6	69.3	3.3	86.0	90
EHK4-75	72.0	86.6	3.3	103	110												
DCC300XXX7W	575-3-60	14.7	100.0	14.7	100.0	2	1.00	1.6	2-speed High Static Belt Drive	7.50	8.2	-	-	-	-	44.6	50
												EHK7-31	28.8	28.9	-	46.4	50
												EHK7-46	43.2	43.4	-	64.5	70
												EHK7-60	57.6	57.8	-	68.1	80
												EHK7-75	72.0	72.3	-	82.5	100
												-	-	-	2.6	47.2	60
												EHK7-31	28.8	28.9	2.6	49.6	60
												EHK7-46	43.2	43.4	2.6	67.7	70
												EHK7-60	57.6	57.8	2.6	71.3	80
EHK7-75	72.0	72.3	2.6	85.8	100												
DCC300XXX7V	575-3-60	14.7	100.0	14.7	100.0	2	1.00	1.6	2-speed Belt Drive	7.50	8.2	-	-	-	-	44.6	50
												EHK7-31	28.8	28.9	-	46.4	50
												EHK7-46	43.2	43.4	-	64.5	70
												EHK7-60	57.6	57.8	-	68.1	80
												EHK7-75	72.0	72.3	-	82.5	100
												-	-	-	2.6	47.2	60
												EHK7-31	28.8	28.9	2.6	49.6	60
												EHK7-46	43.2	43.4	2.6	67.7	70
												EHK7-60	57.6	57.8	2.6	71.3	80
EHK7-75	72.0	72.3	2.6	85.8	100												

\* Electric Heater kW rating: Rated at 240v for 208-230v units; 480v for 460v units



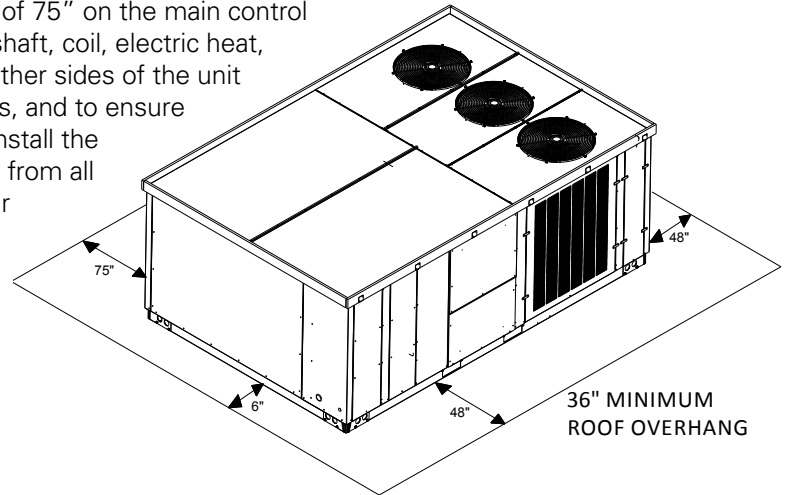
ALL DIMENSIONS ARE GIVEN IN INCHES  
ALL DIMENSIONS AND SPECIFICATIONS ARE SUBJECT TO CHANGE WITHOUT NOTIFICATION



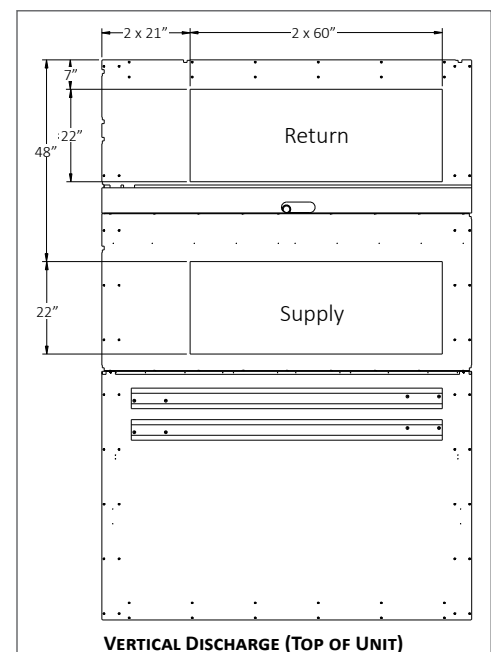
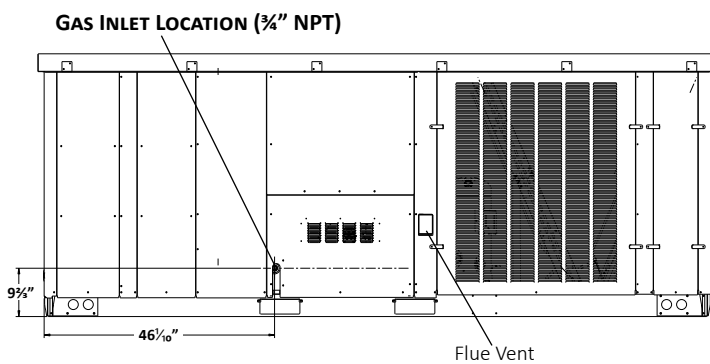
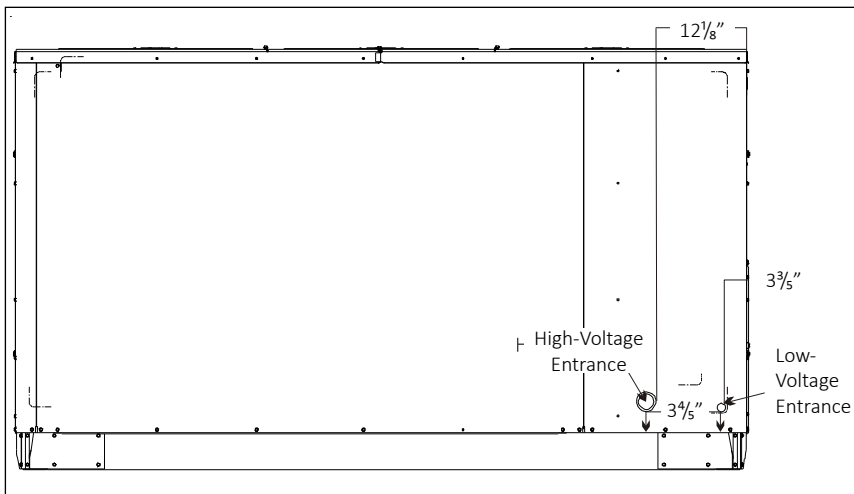
ALL DIMENSION GIVEN ARE IN INCHES  
 ALL DIMENSIONS AND SPECIFICATIONS ARE SUBJECT TO CHANGE WITHOUT NOTICE.

## UNIT CLEARANCES

Maintain an adequate clearance around the unit for safety, service, maintenance, and proper unit operation. Leave a total clearance of 75" on the main control panel side of the unit for possible removal of fan shaft, coil, electric heat, and gas furnace. Leave a clearance of 48" on all other sides of the unit for possible compressor removal or service access, and to ensure proper ventilation and condenser airflow. Do not install the unit beneath any obstruction. Install the unit away from all building exhausts to inhibit Ingestion of exhaust air into the unit's fresh-air intake.

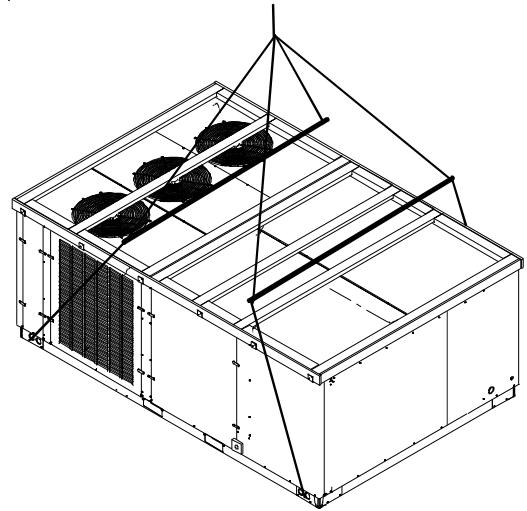


## ELECTRICAL ENTRANCE LOCATIONS



Provisions for forks have been included in the unit base frame. No other fork locations are approved.

- Unit must be lifted by the four lifting holes located at the base frame corners.
- Lifting cables should be attached to the unit with shackles.
- The distance between the crane hook and the top of the unit must not be less than 60”.
- Two spreader bars must span over the unit to prevent damage to the cabinet by the lift cables. Spreader bars must be of sufficient length so that cables do not come in contact with the unit during transport. Remove wood struts mounted beneath unit base frame before setting unit on roof curb. These struts are intended to protect unit base frame from fork lift damage. To remove the struts, extract the sheet metal retainers and pull the struts through the base of the unit. Refer to rigging label on the unit.



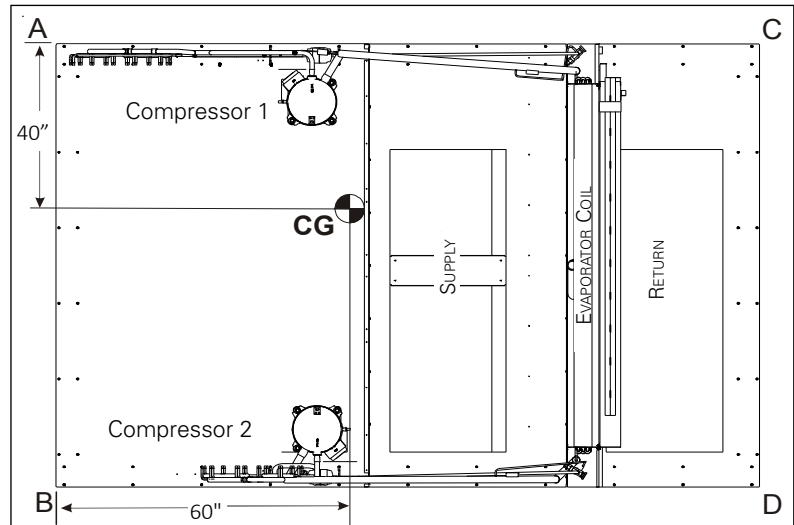
**Important:** If using bottom discharge with roof curb, duct-work should be attached to the curb prior to installing the unit. Duct-work dimensions are shown in Roof Curb Installation Instructions Manual.

Refer to the Roof Curb Installation Instructions for proper curb installation. Curbing must be installed in compliance with the National Roofing Contractors Association Manual.

Lower unit carefully onto roof mounting curb. While rigging the unit, the center of gravity will cause the condenser end to be lower than the supply air end.

Bring condenser end of unit into alignment with the curb. With condenser end of the unit resting on curb member and using curb as a fulcrum, lower opposite end of the unit until entire unit is seated on the curb. When a rectangular cantilever curb is used, take care to center the unit. Check for proper alignment and orientation of supply and return openings with duct.

To assist in determining rigging requirements, unit weights are shown below.



CORNER & CENTER-OF-GRAVITY LOCATIONS

15-TON UNITS	WEIGHTS (BLS.)
Weight A	590
Weight B	482
Weight C	492
Weight D	401
Shipping Weight	2080
Operating Weight	1965

20-TON UNITS	WEIGHTS (LBS.)
Weight A	644
Weight B	525
Weight C	504
Weight D	412
Shipping Weight	2202
Operating Weight	2085

25-TON UNITS	WEIGHTS (LBS.)
Weight A	626
Weight B	464
Weight C	501
Weight D	518
Shipping Weight	2377
Operating Weight	2109

**Note:** These weights are calculated without installed accessories.

Curb installations must comply with local codes and should follow the established guidelines of the National Roofing Contractors Association.

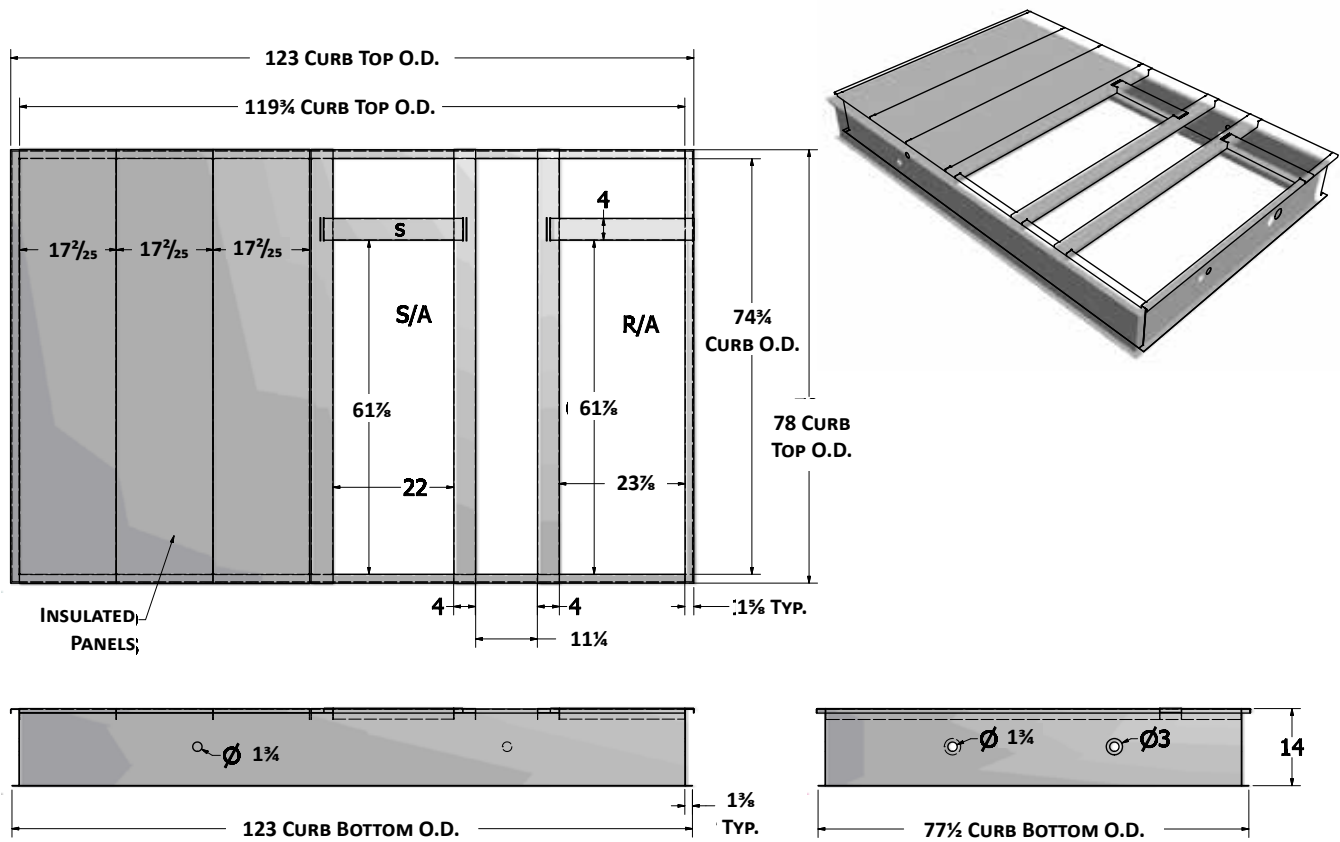
Proper unit installation requires that the roof curb be firmly and permanently attached to the roof structure. Check for adequate fastening method prior to setting the unit on the curb.

Full perimeter roof curbs are available from the factory and are shipped unassembled. The installing contractor is responsible for field assembly, squaring, leveling, and mounting on the roof structure. All required hardware necessary for the assembly of the sheet metal curb is included in the curb accessory package.

- Determine sufficient structural support before locating and mounting the curb and package unit.
- Duct-work must be constructed using industry guidelines. The duct-work must be placed into the roof curb before mounting the package unit. Our full perimeter curbs include duct connection frames to be assembled with the curb. Cantilevered-type curbs are not available from the factory.
- Contractor furnishes curb insulation, cant strips, flashing, and general roofing material.
- Support curbs on parallel sides with roof members. To prevent damage to the unit, the roof members cannot penetrate supply and return duct openings.

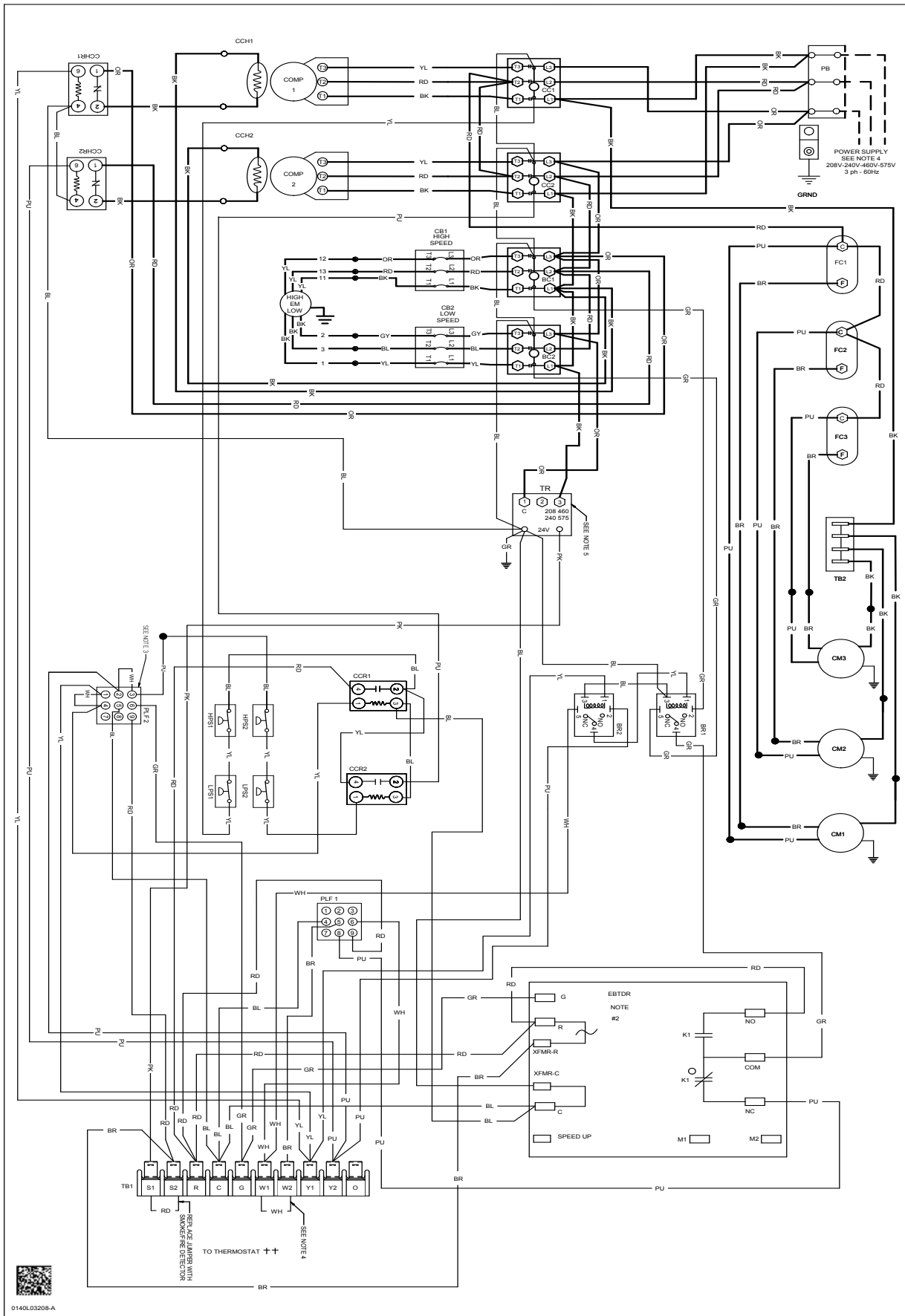
**Note:** The unit and curb accessories are designed to allow vertical duct installation before unit placement. Duct installation after unit placement is not recommended.

See the manual shipped with the roof curb for assembly and installation instructions.





WIRING DIAGRAM — DCC 15 & 20 TONS (230V/460V/575V, TWO-SPEED BELT DRIVE)

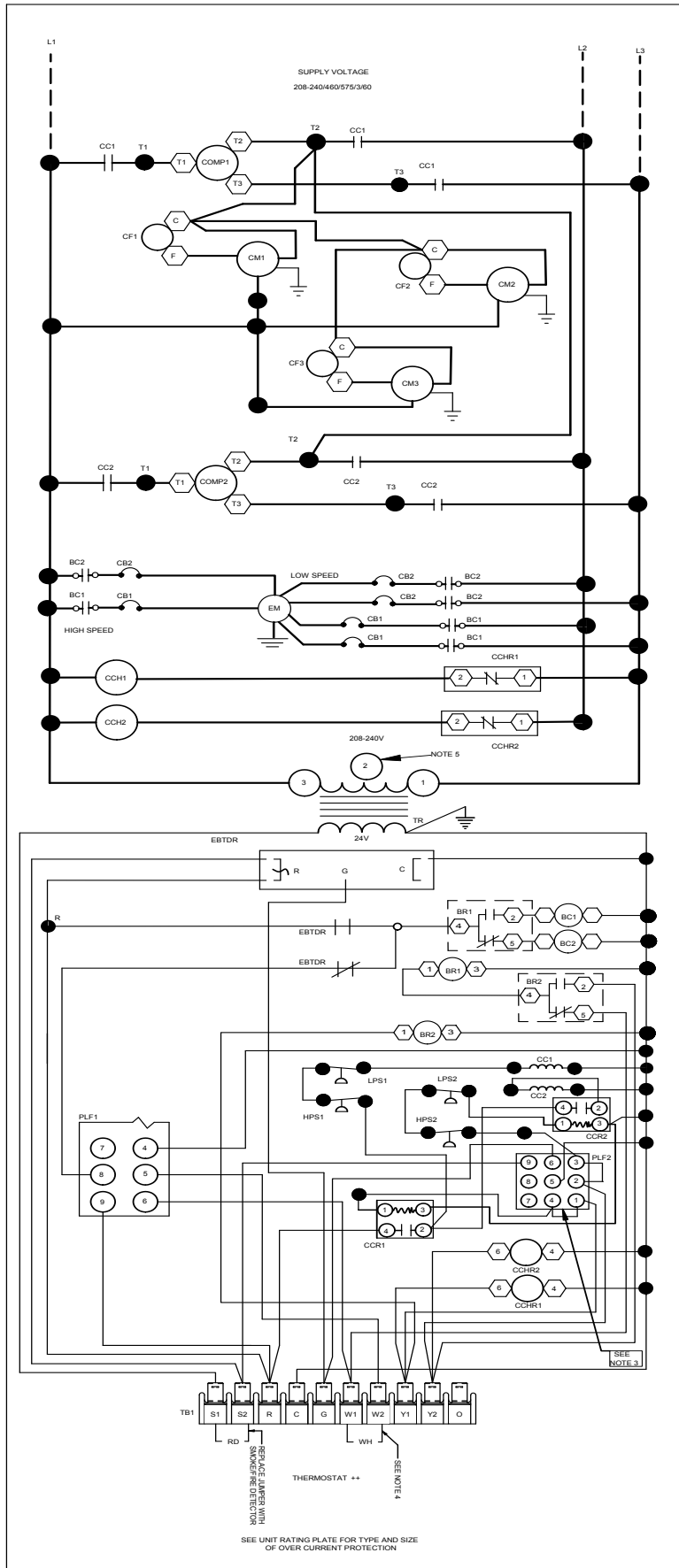


**High Voltage:** Disconnect all power before servicing or installing this unit. Multiple power sources may be present. Failure to do so may cause property damage, personal injury, or death.



Wiring is subject to change. Always refer to the wiring diagram on the unit for the most up-to-date wiring.

0140L0320B-A



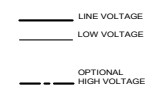
**COMPONENT LEGEND**

BC	BLOWER CONTACTOR
BR	BLOWER RELAY
CC	COMPRESSOR CONTACTOR
CCH	CRANK CASE HEATER
CCHR	CRANK CASE HEATER RELAY
CCR	COMPRESSOR CONTACTOR RELAY
CM	CONDENSER MOTOR
CMR	CONDENSER MOTOR RELAY
COMP	COMPRESSOR
ECON	ECONOMIZER
EBTD	ELECTRONIC BLOWER TIME DELAY
EMR	EVAPORATOR MOTOR RELAY
R	RELAY
EM	EVAPORATOR MOTOR
FC	FAN CAPACITOR
GND	EQUIPMENT GROUND
HPS	HIGH PRESSURE SWITCH
LPS	LOW PRESSURE SWITCH
PB	POWER DISTRIBUTION BLOCK
PLF	FEMALE PLUG / CONNECTOR
TB1	TERMINAL BLOCK (24V SIGNAL)
TB2	TERMINAL BLOCK (L1)
TR	TRANSFORMER

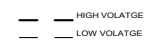
**NOTES:**

1. REPLACEMENT WIRE MUST BE SAME SIZE AND TYPE INSULATION AS ORIGINAL (AT LEAST 105°C) USE COPPER CONDUCTOR ONLY.
2. USE COPPER CONDUCTORS ONLY.
3. ECONOMIZER PLUG LOCATED IN THE RETURN AIR COMPARTMENT. REMOVE MALE PLUG, ATTACH FEMALE PLUG TO THE ECONOMIZER ACCESSORY.
4. FOR TWO STAGE OPERATION REMOVE W1 TO W2 WIRE JUMPER.
5. FOR 208V OPERATION MOVE BLACK WIRE FROM TERMINAL ① TO TERMINAL ② ON 240V TRANSFORMER

**FACTORY WIRING**



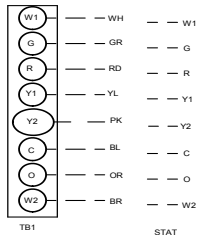
**FIELD WIRING**



**WIRE CODE**

BK	BLACK
BL	BLUE
BR	BROWN
GR	GREEN
OR	ORANGE
PK	PINK
PU	PURPLE
RD	RED
WH	WHITE
YL	YELLOW
YL/PK	YELLOW WITH PINK STRIP
BL/PK	BLUE WITH PINK STRIP

TERMOSTAT ++  
 FIELD WIRING  
 2 STAGE COOLING



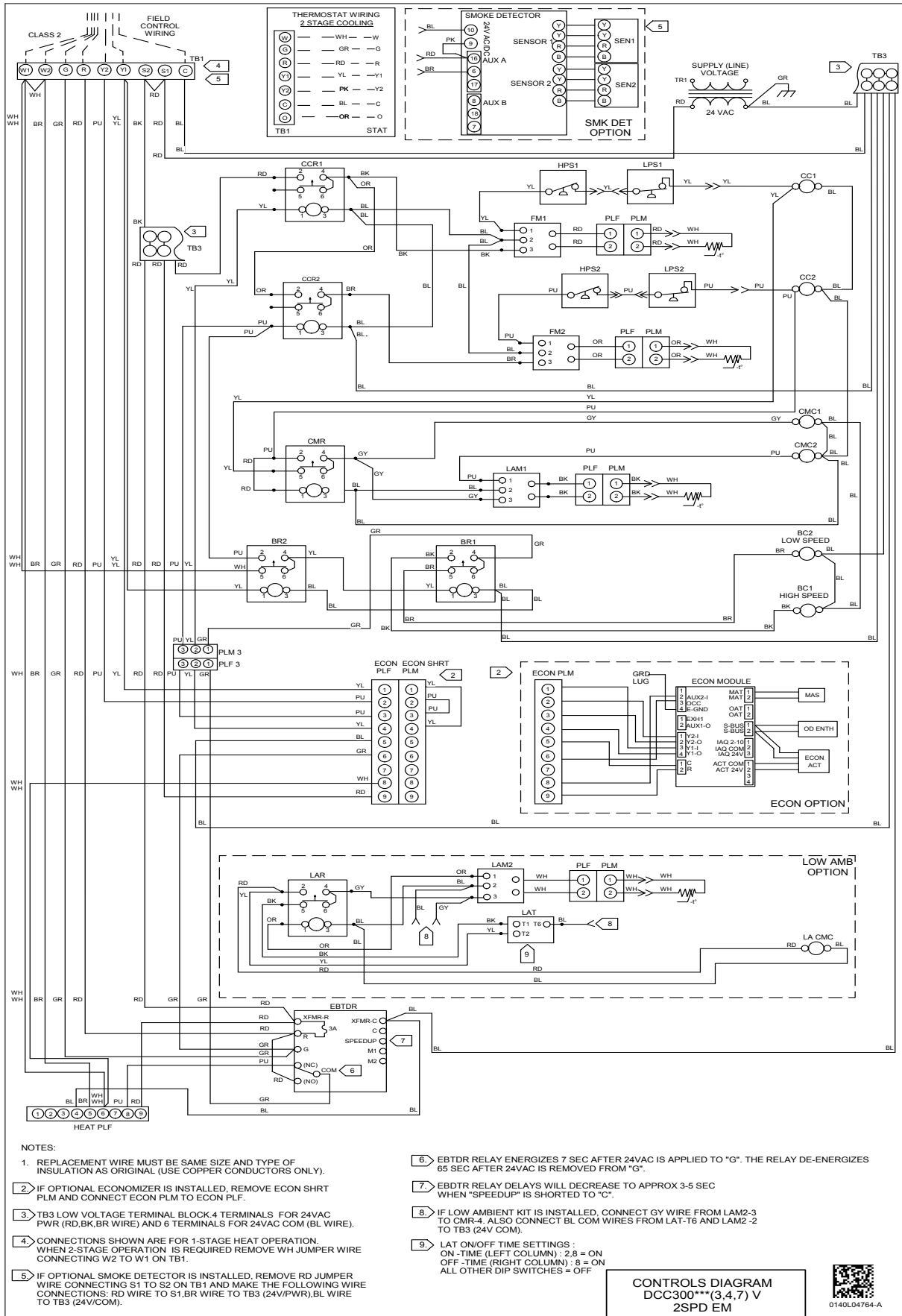
0140L02915-A

**High Voltage:** Disconnect all power before servicing or installing this unit. Multiple power sources may be present. Failure to do so may cause property damage, personal injury, or death.

**WARNING**

Wiring is subject to change. Always refer to the wiring diagram on the unit for the most up-to-date wiring.

# WIRING DIAGRAM — DCC 25 TONS (230V/460V/575V, TWO-SPEED BELT DRIVE - CONTROLS DIAGRAM)



**High Voltage:** Disconnect all power before servicing or installing this unit. Multiple power sources may be present. Failure to do so may cause property damage, personal injury, or death.

**WARNING**

Wiring is subject to change. Always refer to the wiring diagram on the unit for the most up-to-date wiring.

- NOTES:**
1. REPLACEMENT WIRE MUST BE SAME SIZE AND TYPE OF INSULATION AS ORIGINAL (USE COPPER CONDUCTORS ONLY).
  2. IF OPTIONAL ECONOMIZER IS INSTALLED, REMOVE ECON SHRT PLM AND CONNECT ECON PLM TO ECON PLM.
  3. TB3 LOW VOLTAGE TERMINAL BLOCK 4 TERMINALS FOR 24VAC PWR (RD,BK,BR WIRE) AND 6 TERMINALS FOR 24VAC COM (BL WIRE).
  4. CONNECTIONS SHOWN ARE FOR 1-STAGE HEAT OPERATION. WHEN 2-STAGE OPERATION IS REQUIRED REMOVE WH JUMPER WIRE CONNECTING S1 TO S2 ON TB1 AND MAKE THE FOLLOWING WIRE CONNECTIONS: RD WIRE TO S1, BR WIRE TO TB3 (24V/PWR), BL WIRE TO TB3 (24V/COM).
  5. IF OPTIONAL SMOKE DETECTOR IS INSTALLED, REMOVE RD JUMPER WIRE CONNECTING S1 TO S2 ON TB1 AND MAKE THE FOLLOWING WIRE CONNECTIONS: RD WIRE TO S1, BR WIRE TO TB3 (24V/PWR), BL WIRE TO TB3 (24V/COM).
  6. EBDTR RELAY ENERGIZES 7 SEC AFTER 24VAC IS APPLIED TO "G". THE RELAY DE-ENERGIZES 65 SEC AFTER 24VAC IS REMOVED FROM "G".
  7. EBDTR RELAY DELAYS WILL DECREASE TO APPROX 3-5 SEC WHEN "SPEEDUP" IS SHORTED TO "C".
  8. IF LOW AMBIENT KIT IS INSTALLED, CONNECT GY WIRE FROM LAM2-3 TO CMR-4. ALSO CONNECT BL COM WIRES FROM LAT-T6 AND LAM2-2 TO TB3 (24V COM).
  9. LAT ON/OFF TIME SETTINGS : ON -TIME (LEFT COLUMN) : 2.8 = ON OFF -TIME (RIGHT COLUMN) : 8 = ON ALL OTHER DIP SWITCHES = OFF

**CONTROLS DIAGRAM**  
DCC300\*\*\*(3,4,7) V  
2SPD EM



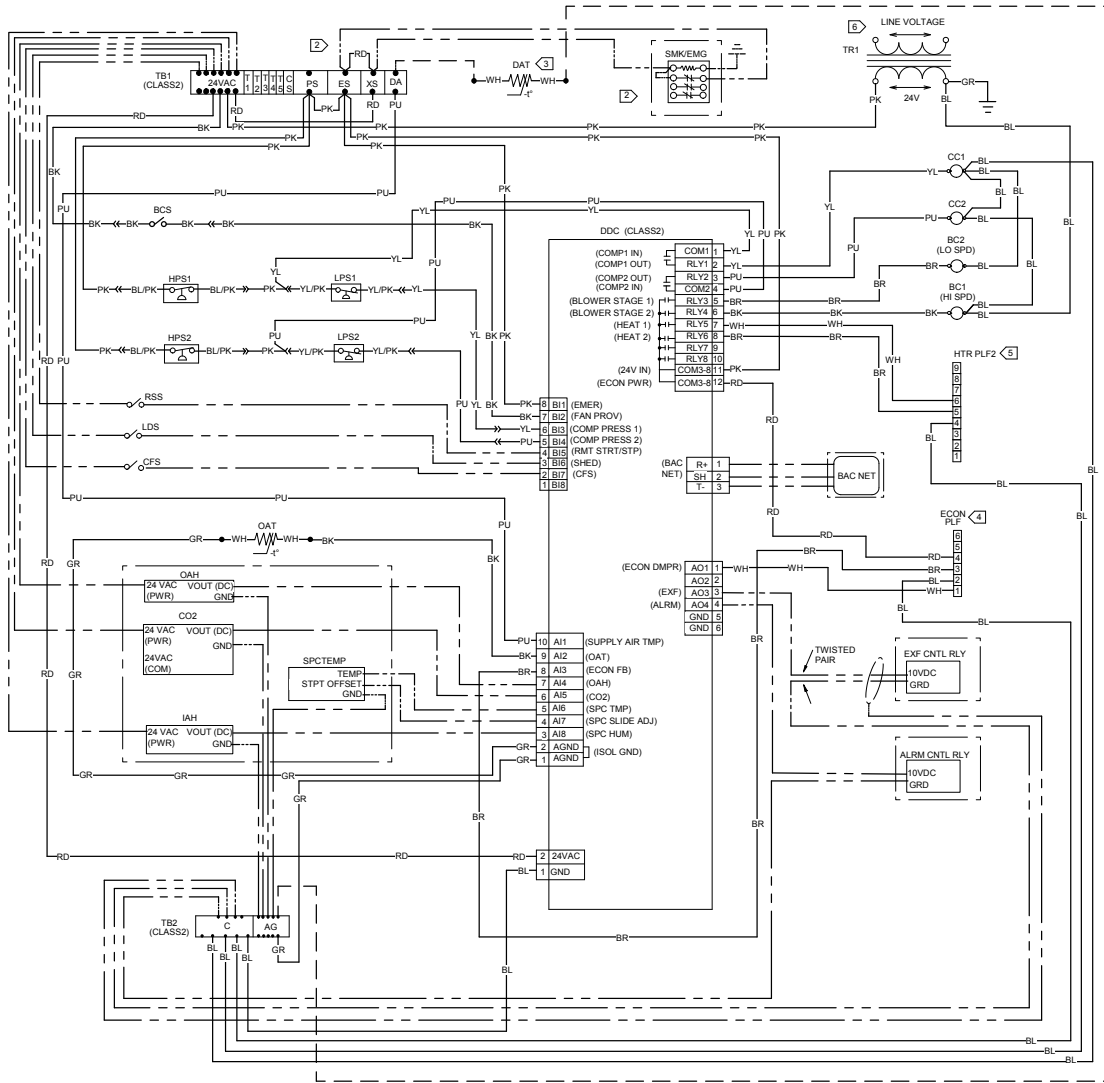
0140L04764-A

---

## *WIRING DIAGRAMS FOR MODELS WITH DDC CONTROLS*

FOR COMPLETE INFORMATION AND INSTALLATION INSTRUCTIONS FOR MODELS  
WITH DDC CONTROLS, SEE MANUAL DK-DDC-TGD-XXX

CONTROL WIRING DIAGRAM  
DCC(180-240)\*\*\*\*V  
DDC



NOTES:

1. REPLACEMENT WIRE MUST BE SAME SIZE AND TYPE OF INSULATION AS ORIGINAL (AT LEAST 105° C). USE COPPER CONDUCTORS ONLY. USE N.E.C. CLASS 2 WIRE FOR ALL LOW VOLTAGE FIELD CONNECTIONS.
2. IF OPTIONAL SMOKE DETECTOR IS INSTALLED, REMOVE RED JUMPER WIRE CONNECTIONS TB1-XS TO TB1-ES.
3. DISCHARGE AIR TEMPERATURE SENSOR SHIPPED WITH UNIT IN CONTROL BOX. INSTALL AND CONNECT PER THE ATTACHED INSTRUCTIONS/WIRING DIAGRAM.
4. IF OPTIONAL ECONOMIZER IS INSTALLED, CONNECT ECON PLF TO ECONOMIZER. ECONOMIZER PLUG LOCATED IN THE RETURN AIR COMPARTMENT.
5. IF OPTIONAL ELECTRIC HEAT IS INSTALLED, CONNECT HTR PLF2 TO ACCESSORY HEAT PLUG IN HEAT COMPARTMENT.
6. SEE POWER DIAGRAM FOR CONTROL TRANSFORMER (TR1) HIGH VOLTAGE CONNECTIONS.

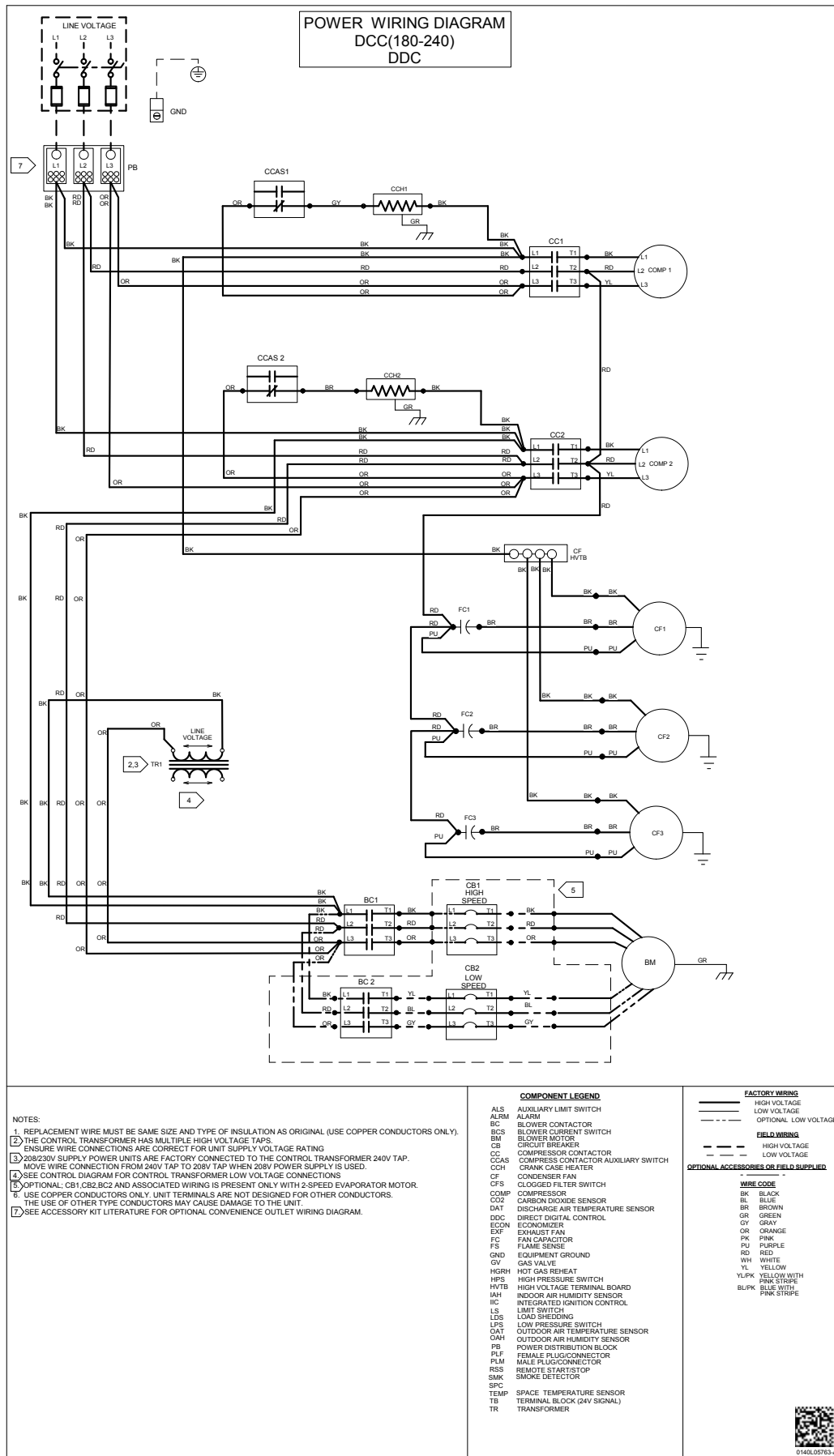


0140L05524-A

⚡  
**High Voltage:** Disconnect all power before servicing or installing this unit. Multiple power sources may be present. Failure to do so may cause property damage, personal injury, or death.

⚠  
**WARNING**

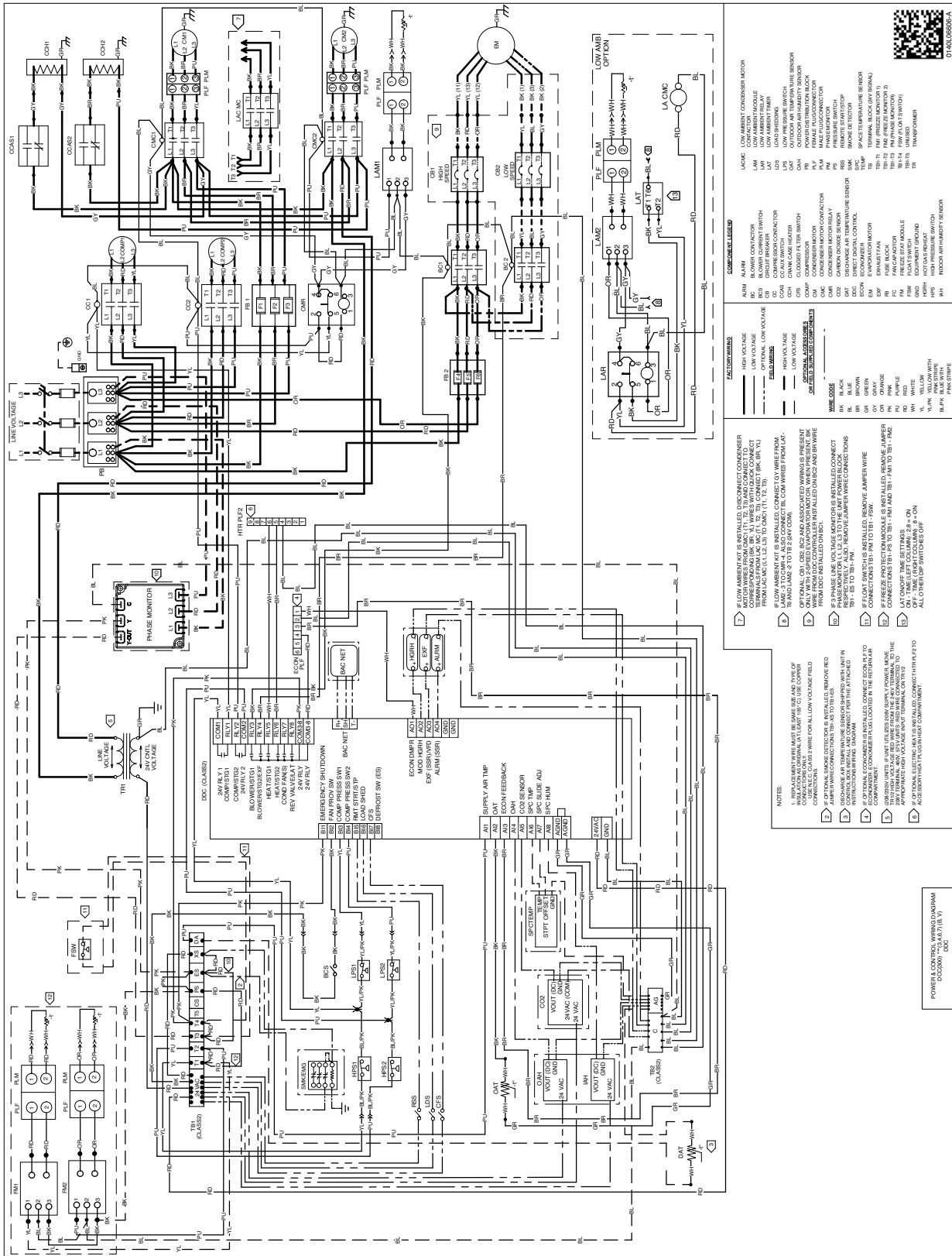
Wiring is subject to change. Always refer to the wiring diagram on the unit for the most up-to-date wiring.



**WARNING**

High Voltage: Disconnect all power before servicing or installing this unit. Multiple power sources may be present. Failure to do so may cause property damage, personal injury, or death.

Wiring is subject to change. Always refer to the wiring diagram on the unit for the most up-to-date wiring.



**High Voltage:** Disconnect all power before servicing or installing this unit. Multiple power sources may be present. Failure to do so may cause property damage, personal injury, or death.

**WARNING**

Wiring is subject to change. Always refer to the wiring diagram on the unit for the most up-to-date wiring.

- NOTES:**
1. REFRIGERANT WIRE MUST BE SAME SIZE AND TYPE OF CONDUIT AS THE WIRE FOR ALLOW VOLTAGE FIELD CONNECTIONS. (SEE WIRE SIZES IN FIELD CONNECTIONS.)
  2. IF OPTIONAL SMOKE DETECTOR IS INSTALLED, REMOVE RED WIRE FROM DDC CONTROLLER AND INSTALL ON WIRE FROM SMOKE DETECTOR. (SEE WIRE SIZES IN FIELD CONNECTIONS.)
  3. IF OPTIONAL SMOKE DETECTOR IS INSTALLED, REMOVE RED WIRE FROM DDC CONTROLLER AND INSTALL ON WIRE FROM SMOKE DETECTOR. (SEE WIRE SIZES IN FIELD CONNECTIONS.)
  4. IF OPTIONAL SMOKE DETECTOR IS INSTALLED, REMOVE RED WIRE FROM DDC CONTROLLER AND INSTALL ON WIRE FROM SMOKE DETECTOR. (SEE WIRE SIZES IN FIELD CONNECTIONS.)
  5. IF OPTIONAL SMOKE DETECTOR IS INSTALLED, REMOVE RED WIRE FROM DDC CONTROLLER AND INSTALL ON WIRE FROM SMOKE DETECTOR. (SEE WIRE SIZES IN FIELD CONNECTIONS.)
  6. IF OPTIONAL SMOKE DETECTOR IS INSTALLED, REMOVE RED WIRE FROM DDC CONTROLLER AND INSTALL ON WIRE FROM SMOKE DETECTOR. (SEE WIRE SIZES IN FIELD CONNECTIONS.)
- WIRE CODES:**
- BK BLACK
  - BL BLUE
  - BR BROWN
  - BU BLUE/WHITE
  - BV BLUE/BLACK
  - BW BLUE/WHITE
  - BX BLUE/BLACK
  - BY BLUE/WHITE
  - BZ BLUE/BLACK
  - CA BLACK
  - CB BLACK
  - CC BLACK
  - CD BLACK
  - CE BLACK
  - CF BLACK
  - CG BLACK
  - CH BLACK
  - CI BLACK
  - CJ BLACK
  - CK BLACK
  - CL BLACK
  - CM BLACK
  - CN BLACK
  - CO BLACK
  - CP BLACK
  - CQ BLACK
  - CR BLACK
  - CS BLACK
  - CT BLACK
  - CU BLACK
  - CV BLACK
  - CW BLACK
  - CX BLACK
  - CY BLACK
  - CZ BLACK
  - DA BLACK
  - DB BLACK
  - DC BLACK
  - DD BLACK
  - DE BLACK
  - DF BLACK
  - DG BLACK
  - DH BLACK
  - DI BLACK
  - DJ BLACK
  - DK BLACK
  - DL BLACK
  - DM BLACK
  - DN BLACK
  - DO BLACK
  - DP BLACK
  - DQ BLACK
  - DR BLACK
  - DS BLACK
  - DT BLACK
  - DU BLACK
  - DV BLACK
  - DW BLACK
  - DX BLACK
  - DY BLACK
  - DZ BLACK
  - EA BLACK
  - EB BLACK
  - EC BLACK
  - ED BLACK
  - EE BLACK
  - EF BLACK
  - EG BLACK
  - EH BLACK
  - EI BLACK
  - EJ BLACK
  - EK BLACK
  - EL BLACK
  - EM BLACK
  - EN BLACK
  - EO BLACK
  - EP BLACK
  - EQ BLACK
  - ER BLACK
  - ES BLACK
  - ET BLACK
  - EU BLACK
  - EV BLACK
  - EW BLACK
  - EX BLACK
  - EY BLACK
  - EZ BLACK
  - FA BLACK
  - FB BLACK
  - FC BLACK
  - FD BLACK
  - FE BLACK
  - FF BLACK
  - FG BLACK
  - FH BLACK
  - FI BLACK
  - FJ BLACK
  - FK BLACK
  - FL BLACK
  - FM BLACK
  - FN BLACK
  - FO BLACK
  - FP BLACK
  - FQ BLACK
  - FR BLACK
  - FS BLACK
  - FT BLACK
  - FU BLACK
  - FV BLACK
  - FW BLACK
  - FX BLACK
  - FY BLACK
  - FZ BLACK
  - GA BLACK
  - GB BLACK
  - GC BLACK
  - GD BLACK
  - GE BLACK
  - GF BLACK
  - GG BLACK
  - GH BLACK
  - GI BLACK
  - GJ BLACK
  - GK BLACK
  - GL BLACK
  - GM BLACK
  - GN BLACK
  - GO BLACK
  - GP BLACK
  - GQ BLACK
  - GR BLACK
  - GS BLACK
  - GT BLACK
  - GU BLACK
  - GV BLACK
  - GW BLACK
  - GX BLACK
  - GY BLACK
  - GZ BLACK
  - HA BLACK
  - HB BLACK
  - HC BLACK
  - HD BLACK
  - HE BLACK
  - HF BLACK
  - HG BLACK
  - HH BLACK
  - HI BLACK
  - HJ BLACK
  - HK BLACK
  - HL BLACK
  - HM BLACK
  - HN BLACK
  - HO BLACK
  - HP BLACK
  - HQ BLACK
  - HR BLACK
  - HS BLACK
  - HT BLACK
  - HU BLACK
  - HV BLACK
  - HW BLACK
  - HX BLACK
  - HY BLACK
  - HZ BLACK
  - IA BLACK
  - IB BLACK
  - IC BLACK
  - ID BLACK
  - IE BLACK
  - IF BLACK
  - IG BLACK
  - IH BLACK
  - II BLACK
  - IJ BLACK
  - IK BLACK
  - IL BLACK
  - IM BLACK
  - IN BLACK
  - IO BLACK
  - IP BLACK
  - IQ BLACK
  - IR BLACK
  - IS BLACK
  - IT BLACK
  - IU BLACK
  - IV BLACK
  - IW BLACK
  - IX BLACK
  - IY BLACK
  - IZ BLACK
  - JA BLACK
  - JB BLACK
  - JC BLACK
  - JD BLACK
  - JE BLACK
  - JF BLACK
  - JG BLACK
  - JH BLACK
  - JI BLACK
  - IJ BLACK
  - JK BLACK
  - KL BLACK
  - JM BLACK
  - JN BLACK
  - JO BLACK
  - JP BLACK
  - JQ BLACK
  - JR BLACK
  - JS BLACK
  - JT BLACK
  - JU BLACK
  - JV BLACK
  - JW BLACK
  - JX BLACK
  - JY BLACK
  - JZ BLACK
  - KA BLACK
  - KB BLACK
  - KC BLACK
  - KD BLACK
  - KE BLACK
  - KF BLACK
  - KG BLACK
  - KH BLACK
  - KI BLACK
  - KJ BLACK
  - KL BLACK
  - KM BLACK
  - KN BLACK
  - KO BLACK
  - KP BLACK
  - KQ BLACK
  - KR BLACK
  - KS BLACK
  - KT BLACK
  - KU BLACK
  - KV BLACK
  - KW BLACK
  - KX BLACK
  - KY BLACK
  - KZ BLACK
  - LA BLACK
  - LB BLACK
  - LC BLACK
  - LD BLACK
  - LE BLACK
  - LF BLACK
  - LG BLACK
  - LH BLACK
  - LI BLACK
  - LJ BLACK
  - LM BLACK
  - LN BLACK
  - LO BLACK
  - LP BLACK
  - LQ BLACK
  - LR BLACK
  - LS BLACK
  - LT BLACK
  - LU BLACK
  - LV BLACK
  - LW BLACK
  - LX BLACK
  - LY BLACK
  - LZ BLACK
  - MA BLACK
  - MB BLACK
  - MC BLACK
  - MD BLACK
  - ME BLACK
  - MF BLACK
  - MG BLACK
  - MH BLACK
  - MI BLACK
  - MJ BLACK
  - MK BLACK
  - ML BLACK
  - MM BLACK
  - MN BLACK
  - MO BLACK
  - MP BLACK
  - MQ BLACK
  - MR BLACK
  - MS BLACK
  - MT BLACK
  - MU BLACK
  - MV BLACK
  - MW BLACK
  - MX BLACK
  - MY BLACK
  - MZ BLACK
  - NA BLACK
  - NB BLACK
  - NC BLACK
  - ND BLACK
  - NE BLACK
  - NF BLACK
  - NG BLACK
  - NH BLACK
  - NI BLACK
  - NJ BLACK
  - NK BLACK
  - NL BLACK
  - NM BLACK
  - NN BLACK
  - NO BLACK
  - NP BLACK
  - NQ BLACK
  - NR BLACK
  - NS BLACK
  - NT BLACK
  - NU BLACK
  - NV BLACK
  - NW BLACK
  - NX BLACK
  - NY BLACK
  - NZ BLACK
  - OA BLACK
  - OB BLACK
  - OC BLACK
  - OD BLACK
  - OE BLACK
  - OF BLACK
  - OG BLACK
  - OH BLACK
  - OI BLACK
  - OJ BLACK
  - OK BLACK
  - OL BLACK
  - OM BLACK
  - ON BLACK
  - OO BLACK
  - OP BLACK
  - OQ BLACK
  - OR BLACK
  - OS BLACK
  - OT BLACK
  - OU BLACK
  - OV BLACK
  - OW BLACK
  - OX BLACK
  - OY BLACK
  - OZ BLACK
  - PA BLACK
  - PB BLACK
  - PC BLACK
  - PD BLACK
  - PE BLACK
  - PF BLACK
  - PG BLACK
  - PH BLACK
  - PI BLACK
  - PJ BLACK
  - PK BLACK
  - PL BLACK
  - PM BLACK
  - PN BLACK
  - PO BLACK
  - PP BLACK
  - PQ BLACK
  - PR BLACK
  - PS BLACK
  - PT BLACK
  - PU BLACK
  - PV BLACK
  - PW BLACK
  - PX BLACK
  - PY BLACK
  - PZ BLACK
  - QA BLACK
  - QB BLACK
  - QC BLACK
  - QD BLACK
  - QE BLACK
  - QF BLACK
  - QG BLACK
  - QH BLACK
  - QI BLACK
  - QJ BLACK
  - QK BLACK
  - QL BLACK
  - QM BLACK
  - QN BLACK
  - QO BLACK
  - QP BLACK
  - QQ BLACK
  - QR BLACK
  - QS BLACK
  - QT BLACK
  - QU BLACK
  - QV BLACK
  - QW BLACK
  - QX BLACK
  - QY BLACK
  - QZ BLACK
  - RA BLACK
  - RB BLACK
  - RC BLACK
  - RD BLACK
  - RE BLACK
  - RF BLACK
  - RG BLACK
  - RH BLACK
  - RI BLACK
  - RJ BLACK
  - RK BLACK
  - RL BLACK
  - RM BLACK
  - RN BLACK
  - RO BLACK
  - RP BLACK
  - RQ BLACK
  - RR BLACK
  - RS BLACK
  - RT BLACK
  - RU BLACK
  - RV BLACK
  - RW BLACK
  - RX BLACK
  - RY BLACK
  - RZ BLACK
  - SA BLACK
  - SB BLACK
  - SC BLACK
  - SD BLACK
  - SE BLACK
  - SF BLACK
  - SG BLACK
  - SH BLACK
  - SI BLACK
  - SJ BLACK
  - SK BLACK
  - SL BLACK
  - SM BLACK
  - SN BLACK
  - SO BLACK
  - SP BLACK
  - SQ BLACK
  - SR BLACK
  - SS BLACK
  - ST BLACK
  - SU BLACK
  - SV BLACK
  - SW BLACK
  - SX BLACK
  - SY BLACK
  - SZ BLACK
  - TA BLACK
  - TB BLACK
  - TC BLACK
  - TD BLACK
  - TE BLACK
  - TF BLACK
  - TG BLACK
  - TH BLACK
  - TI BLACK
  - TJ BLACK
  - TK BLACK
  - TL BLACK
  - TM BLACK
  - TN BLACK
  - TO BLACK
  - TP BLACK
  - TQ BLACK
  - TR BLACK
  - TS BLACK
  - TT BLACK
  - TU BLACK
  - TV BLACK
  - TW BLACK
  - TX BLACK
  - TY BLACK
  - TZ BLACK
  - UA BLACK
  - UB BLACK
  - UC BLACK
  - UD BLACK
  - UE BLACK
  - UF BLACK
  - UG BLACK
  - UH BLACK
  - UI BLACK
  - UJ BLACK
  - UK BLACK
  - UL BLACK
  - UM BLACK
  - UN BLACK
  - UO BLACK
  - UP BLACK
  - UQ BLACK
  - UR BLACK
  - US BLACK
  - UT BLACK
  - UY BLACK
  - UZ BLACK
  - VA BLACK
  - VB BLACK
  - VC BLACK
  - VD BLACK
  - VE BLACK
  - VF BLACK
  - VG BLACK
  - VH BLACK
  - VI BLACK
  - VJ BLACK
  - VK BLACK
  - VL BLACK
  - VM BLACK
  - VN BLACK
  - VO BLACK
  - VP BLACK
  - VQ BLACK
  - VR BLACK
  - VS BLACK
  - VT BLACK
  - VU BLACK
  - VV BLACK
  - VW BLACK
  - VX BLACK
  - VY BLACK
  - VZ BLACK
  - WA BLACK
  - WB BLACK
  - WC BLACK
  - WD BLACK
  - WE BLACK
  - WF BLACK
  - WG BLACK
  - WH BLACK
  - WI BLACK
  - WJ BLACK
  - WK BLACK
  - WL BLACK
  - WM BLACK
  - WN BLACK
  - WO BLACK
  - WP BLACK
  - WQ BLACK
  - WR BLACK
  - WS BLACK
  - WT BLACK
  - WY BLACK
  - WZ BLACK
  - XA BLACK
  - XB BLACK
  - XC BLACK
  - XD BLACK
  - XE BLACK
  - XF BLACK
  - XG BLACK
  - XH BLACK
  - XI BLACK
  - XJ BLACK
  - XK BLACK
  - XL BLACK
  - XM BLACK
  - XN BLACK
  - XO BLACK
  - XP BLACK
  - XQ BLACK
  - XR BLACK
  - XS BLACK
  - XT BLACK
  - XU BLACK
  - XV BLACK
  - XW BLACK
  - XX BLACK
  - XY BLACK
  - XZ BLACK
  - YA BLACK
  - YB BLACK
  - YC BLACK
  - YD BLACK
  - YE BLACK
  - YF BLACK
  - YG BLACK
  - YH BLACK
  - YI BLACK
  - YJ BLACK
  - YK BLACK
  - YL BLACK
  - YM BLACK
  - YN BLACK
  - YO BLACK
  - YP BLACK
  - YQ BLACK
  - YR BLACK
  - YS BLACK
  - YT BLACK
  - YU BLACK
  - YV BLACK
  - YW BLACK
  - YX BLACK
  - YY BLACK
  - YZ BLACK
  - ZA BLACK
  - ZB BLACK
  - ZC BLACK
  - ZD BLACK
  - ZE BLACK
  - ZF BLACK
  - ZG BLACK
  - ZH BLACK
  - ZI BLACK
  - ZJ BLACK
  - ZK BLACK
  - ZL BLACK
  - ZM BLACK
  - ZN BLACK
  - ZO BLACK
  - ZP BLACK
  - ZQ BLACK
  - ZR BLACK
  - ZS BLACK
  - ZT BLACK
  - ZU BLACK
  - ZV BLACK
  - ZW BLACK
  - ZX BLACK
  - ZY BLACK
  - ZZ BLACK

DAIKIN INSTALLED ITEM #	DESCRIPTION	FITS MODEL SIZES	FIELD-INSTALLED	FACTORY-INSTALLED	OPERATING WEIGHT (LBS)
<b>Curb</b>					
14CURB180300	14" Roof Curb	15-25 tons	√		285
18CURB180300	18" Roof Curb	15-25 tons	√		315
24CURB180300	24" Roof Curb	15-25 tons	√		360
GHRC-180300	Hurricane Restraint Clips	15-25 tons	√		2
<b>Ultra Low-Leak Economizer &amp; Power Exhaust<sup>1</sup></b>					
10-455-11A-23	Centrifugal Power Exhaust 230v	15-25 tons	√		110
10-455-11A-33	Centrifugal Power Exhaust 460v	15-25 tons	√		110
1036611B	Ultra Low-Leak Downflow Economizer w/ Enthalpy	15-25 tons	√	√	281
10-465-11-21	Prop Power Exhaust 230v	15-25 tons	√		98
10-465-11-31	Prop Power Exhaust 460v	15-25 tons	√		98
10-465-11-41	Prop Power Exhaust 575v	15-25 tons	√		98
<b>Low-Leak Economizer &amp; Power Exhaust<sup>2</sup></b>					
DDNECNJ180300B	Low-Leak Downflow Economizer	15-25 tons	√	√	416
DPE1803002	Downflow Power Exhaust (208/230v)	15-25 tons	√		200
DPE1803004	Downflow Power Exhaust (460v)	15-25 tons	√		200
DPE1803007	Downflow Power Exhaust (575v)	15-25 tons	√		200
DHZECNJ180300B	Horizontal Economizer, Internally Mounted	15-25 tons	√		225
<b>Downflow Accessories</b>					
D25FD180300	25% Manual Fresh Air Damper	15-25 tons	√		34
D25MFD180300	25% Motorized Fresh Air Damper	15-25 tons	√		42
D50MFD180300	50% Motorized Fresh Air Damper	15-25 tons	√		42
DNBBS180300	Burglar Bar Sleeves with Supply and Return	15-25 tons	√		60
<b>Horizontal Accessories</b>					
DBRD180300	Barometric Relief	15-25 tons	√		30
HZCURB180300EDR	Horizontal Curb End Discharge Roofed In	15-25 tons	√		950
HZCURB180300NSR	Horizontal Curb Non-Service Side Discharge Roofed In	15-25 tons	√		950
HZCURB180300SSR	Horizontal Curb Service Side Discharge Roofed In	15-25 tons	√		950
HZCURB180300EDS	Horizontal Curb End Discharge Slab Mount	15-25 tons	√		850
HZCURB180300NSS	Horizontal Curb Non-Service Side Discharge Slab Mount	15-25 tons	√		850
HZCURB180300SSS	Horizontal Curb Service Side Discharge Slab Mount	15-25 tons	√		850
DHZE25FD180300	Horizontal Fresh Air Damper 25%	15-25 tons	√		75
DHZRETPNL180300	Horizontal Return Panel	15-25 tons	√		50
<b>Concentrics</b>					
CDK300-530	Concentric Duct Kit Step-Down Diffuser	25 tons	√		244
CDK180	Concentric Duct Kit	15 tons	√		158
CDK240	Concentric Duct Kit	20 tons	√		197
CDK300	Concentric Duct Kit Flush Mount Diffuser	25 tons	√		244
<b>3 phase 208-230V Electric Heat Kits</b>					
EHK3-31	30kw 208-230v 3ph Electric Heat Kit	15-25 tons	√	√	21
EHK3-46	40kw 208-230v 3ph Electric Heat Kit	15-25 tons	√	√	21



DAIKIN INSTALLED ITEM #	DESCRIPTION	FITS MODEL SIZES	FIELD-INSTALLED	FACTORY-INSTALLED	OPERATING WEIGHT (LBS)
EHK3-60	60kw 208-230v 3ph Electric Heat Kit	15-25 tons	√	√	21
EHK3-75	75kw 208-230v 3ph Electric Heat Kit	20 - 25 tons	√	√	21
	<b>3 phase 460V Electric Heat Kits</b>				
EHK4-31	30kw 460v 3ph Electric Heat Kit	15-25 tons	√	√	21
EHK4-46	40kw 460v 3ph Electric Heat Kit	15-25 tons	√	√	21
EHK4-60	60kw 460v 3ph Electric Heat Kit	15-25 tons	√	√	21
EHK4-75	75kw 460v 3ph Electric Heat Kit	20 - 25 tons	√	√	21
	<b>3 phase 575V Electric Heat Kits</b>				
EHK7-31	30kw 575v 3ph Electric Heat Kit	15-25 tons	√	√	21
EHK7-46	40kw 575v 3ph Electric Heat Kit	15-25 tons	√	√	21
EHK7-60	60kw 575v 3ph Electric Heat Kit	15-25 tons	√	√	21
EHK7-75	75kw 575v 3ph Electric Heat Kit	20 - 25 tons	√	√	21
	<b>DDC Accessories<sup>3</sup></b>				
	DDC communicating controller (built-in BACnet® MS/TP) includes Standard Room Sensor to be installed in field	15-25 tons		√	2
10366D11B	DDC Ultra Low-Leak Downflow Economizer	15-25 tons	√	√	71
10465DDC	Power Exhaust kit used with DDC Ultra Low-Leak Economizer	15-25 tons	√		1
DLAKT03	Low-Ambient	15-20 tons	√	√	2
LONKT01	LonWorks® card	15-25 tons	√		1
3PMK01	Phase Monitor (3-Phase Only)	15-25 tons	√	√	2
DFSKT02	Dirty Filter Switch	15-25 tons	√		1
	<b>High-Static Kits</b>				
HSKTW180-3FI	High static, factory-installed, 230V	15 ton, AC only		√	80
HSKTW180-4FI	High static, factory-installed, 460V	15 ton, AC only		√	80
HSKTW180-7FI	High static, factory-installed, 575V	15 ton, AC only		√	80
HSKTW240-3FI	High static, factory-installed, 230V	20 ton		√	50
HSKTW240-4FI	High static, factory-installed, 460V	20 ton		√	50
HSKTW240-7FI	High static, factory-installed, 575V	20 ton		√	50
HSKTW300AC-FI	High static, factory-installed, 25 ton, all voltages	25 ton, AC only		√	8
	<b>Crankcase Heater Kits</b>				
0130L00017S	70W 230V	15-20 tons	√		1
0130L00018S	70W 460V	15-20 tons	√		1
0130L00019S	70W 575V	15-20 tons	√		1
0130L00020S	90W 230V	25 tons	√		1
0130L00021S	90W 460V	25 tons	√		1
0130L00022S	90W 575V	25 tons	√		1
	<b>High Efficiency Filters</b>				
0160L00202	High Efficiency MERV 13 Air Filter Nom. Size: 20x25x2; (Order Qty 6)	15, 20 tons	√		9
0160L00201	High Efficiency MERV 13 Air Filter Nom. Size: 20x20x2; (Order Qty 8)	25 tons	√		11

DAIKIN INSTALLED ITEM #	DESCRIPTION	FITS MODEL SIZES	FIELD-INSTALLED	FACTORY-INSTALLED	OPERATING WEIGHT (LBS)
	<b>Misc Accessories</b>				
	Convenience Outlet: Powered	15-25 tons		√	42
	Convenience Outlet: Non Powered	15-25 tons		√	2
	Disconnect Switch (non-fused)	15-25 tons		√	5
LAKT23	Low-Ambient Kit, 208-230V - non-DDC	15-20 tons	√	√	32
LAKT24	Low-Ambient Kit, 460V - non-DDC	15-20 tons	√	√	32
LAKT25	Low-Ambient Kit, 575V - non-DDC	15-20 tons	√	√	32
LAKT05	Low-Ambient Kit (all voltages) - non-DDC	25 tons	√	√	2
3PMNDK01	Phase Monitor - Non DDC	15-25 tons	√	√	2
	Smoke Detector (supply and/or return air)	15-25 tons		√	11
	Hinged Panels	15-25 tons		√	34
FSKT02A	Freeze Stat Kit <sup>4</sup>	25 tons	√		1

<sup>1</sup> Use Economizer & Power Exhaust listed within Ultra Low-Leak section

<sup>2</sup> Use Economizer & Power Exhaust listed within Low-Leak section

<sup>3</sup> For a full list of DDC accessories, please refer to DDC Controller Technical Guide manual (DK-DDC-TGD-01B)

<sup>4</sup> FSK02A is standard on 2 speed, V, models.

**Note:** Where multiple variations are available, the heaviest combination is listed.



