

# REPAIR PARTS

---

## CSCF Horizontal Coils

CSCF1824N6AA  
CSCF1824N6BA  
CSCF1824N6DA  
CSCF3036N6AA  
CSCF3036N6BA  
CSCF3036N6DA  
CSCF3642N6AA  
CSCF3642N6CA  
CSCF3642N6DA  
CSCF4860N6AA  
CSCF4860N6CA  
CSCF4860N6DA



This manual is to be used by qualified technicians only.

This manual replaces RP-375B.

© 2009 Goodman Manufacturing Company, L.P. ♦ 5151 San Felipe, Suite 500 ♦ Houston, TX 77056

# Important Information

---

## Index

Functional Parts List .....	3
Illustration and Parts .....	4 - 5

*Views shown are for parts illustrations only, not servicing procedures.*

Rev. C: Added models CSCF1824N6DA, CSCF3036N6DA, CSCF3642N6DA and CSCF4860N6DA.

### Text Codes:

AR - As Required

NA - Not Available

NS - Not Shown

00000000 - See Note

QTY - Quantity Example (QTY 3) (If Quantity not shown, Quantity = 1)

M - Model Example (M1) (If M Code not shown, then part is used on all Models)

### Expanded Model Nomenclature:

Example M1 - Model#1 M2 - Model#2 M3 - Model#3
---

Goodman Manufacturing Company, L.P. is not responsible for personal injury or property damage resulting from improper service. Review all service information before beginning repairs.

Warranty service must be performed by an authorized technician, using authorized factory parts. If service is required after the warranty expires, Goodman Manufacturing Company, L.P. also recommends contacting an authorized technician and using authorized factory parts.

Goodman Manufacturing Company, L.P. reserves the right to discontinue, or change at any time, specifications or designs without notice or without incurring obligations.

For assistance within the U.S.A. contact:  
Consumer Affairs Department  
Goodman Manufacturing Company, L.P.  
7401 Security Way  
Houston, Texas 77040  
877-254-4729-Telephone  
713-863-2382-Facsimile

For assistance outside the U.S.A. contact:  
International Division  
Goodman Manufacturing Company, L.P.  
7401 Security Way  
Houston, Texas 77040  
713-861-2500-Telephone  
713-863-2382-Facsimile

# Functional Parts

## Part

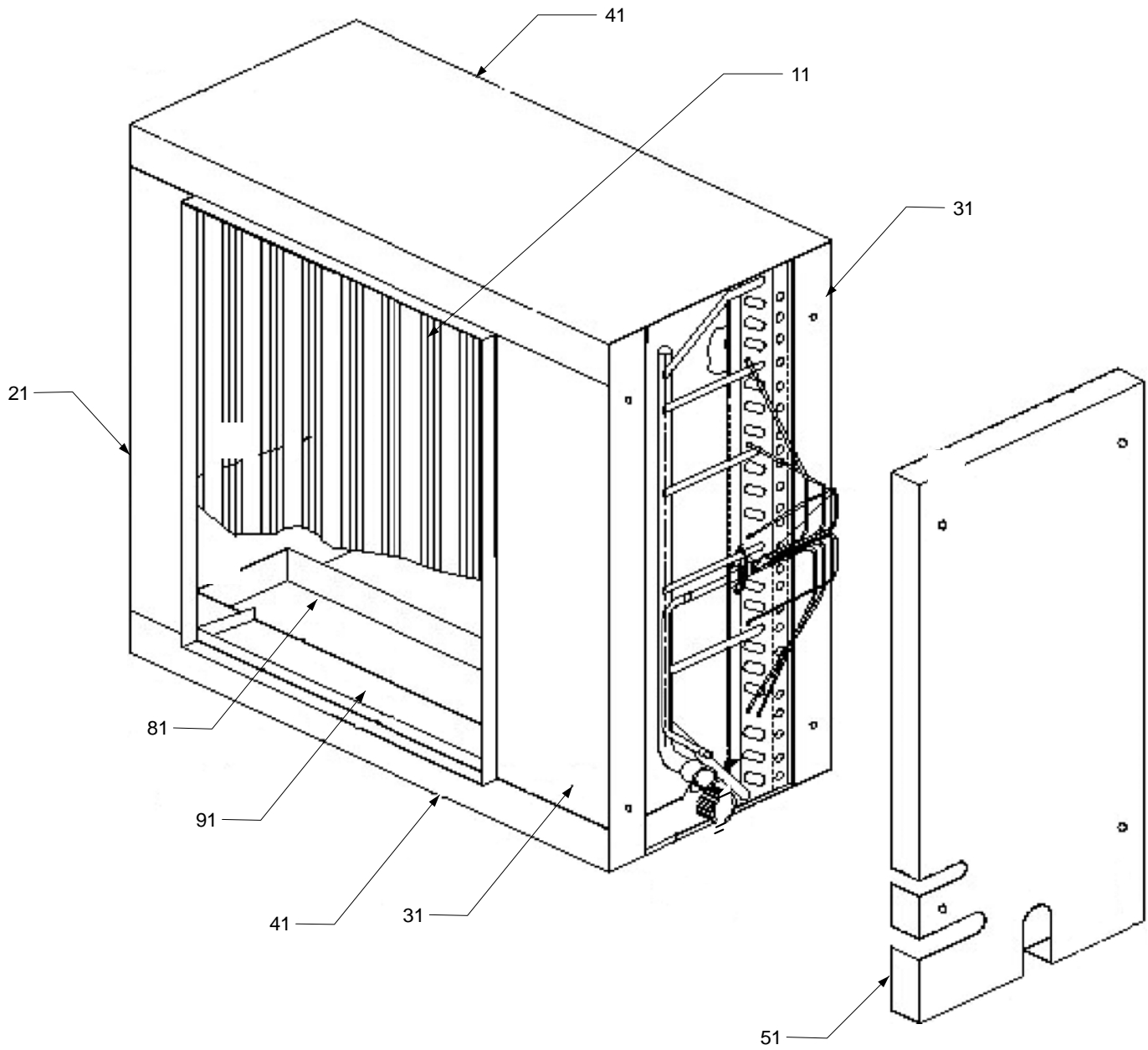
## No:

## Description:

---

0270D00134	COIL PAN ASSY (M11)
0270D00396	COIL PAN ASSY (M6)
0270D00397	COIL PAN ASSY (M9)
0270D00398	COIL PAN ASSY (M12)
0270D00022P	COIL PAN ASSY (M1)
0270D00023P	COIL PAN ASSY (M4)
0270D00024P	COIL PAN ASSY (M7)
0270D00025P	COIL PAN ASSY (M10)
0270D00395	COIL PAN ASSY (M3)
0270D00101	COIL PAN ASSY (M5)
0270D00136	COIL PAN ASSY (M8)
0270D00100	COIL PAN ASSY (M2)
0162D00003P	FLOWRATOR (M10, M11)
0162D00001P	FLOWRATOR (M4, M5)
0162D00002P	FLOWRATOR (M7, M8)
0162D00000P	FLOWRATOR (M1, M2)
0162D00078	FLOWRATOR, AL (M3)
0162D00080	FLOWRATOR, AL (M9)
0162D00079	FLOWRATOR, AL (M6)
0162D00081	FLOWRATOR, AL (M12)

# Chassis



# Chassis

Ref. Part No:	No:	Description:	Ref. Part No:	No:	Description:
<i>Image 1:</i>			Expanded Model Nomenclature		
11	0270D00022P	COIL PAN ASSY (M1)	M1	-	CSCF1824N6AA
11	0270D00023P	COIL PAN ASSY (M4)	M2	-	CSCF1824N6BA
11	0270D00024P	COIL PAN ASSY (M7)	M3	-	CSCF1824N6DA
11	0270D00025P	COIL PAN ASSY (M10)	M4	-	CSCF3036N6AA
11	0270D00100	COIL PAN ASSY (M2)	M5	-	CSCF3036N6BA
11	0270D00101	COIL PAN ASSY (M5)	M6	-	CSCF3036N6DA
11	0270D00134	COIL PAN ASSY (M11)	M7	-	CSCF3642N6AA
11	0270D00136	COIL PAN ASSY (M8)	M8	-	CSCF3642N6CA
11	0270D00395	COIL PAN ASSY (M3)	M9	-	CSCF3642N6DA
11	0270D00396	COIL PAN ASSY (M6)	M10	-	CSCF4860N6AA
11	0270D00397	COIL PAN ASSY (M9)	M11	-	CSCF4860N6CA
11	0270D00398	COIL PAN ASSY (M12)	M12	-	CSCF4860N6DA
21	1567500D	REAR PANEL H/HX24-72 (M3, M6, M9, M12)			
31	1567600D	SIDE PANEL H/HX24-72 (M3, M6, M9, M12)			
41	1567702D	BOTTOM/TOP PANEL H/HX48 (M6)			
41	1567700D	BOTTOM/TOP PANEL H24/36/HX36 (M3)			
41	1567703D	BOTTOM/TOP PANEL H60 (M9, M12)			
51	1567900D	ACCESS PANEL H/HX (M3, M6, M9, M12)			
81	B1567832HDF	PAN, EVAP, PLASTIC (M6)			
81	B1567838HDF	PAN, EVAP, PLASTIC (M7, M8, M10, M11)			
81	B1567838HDF	PAN, EVAP, PLASTIC (M9, M12)			
81	B1567824HDF	PAN, EVAP, PLASTIC (M1, M2)			
81	B1567832H	PAN, EVAP, PLASTIC (M4, M5)			
81	B1567824HDF	PAN, EVAP, PLASTIC (M3)			
91	3881200S	ASM, BRACKET WATER BLOW OFF (M1, M2)			
91	3881201S	ASM, BRACKET WATER BLOW OFF (M4, M5)			
91	3881202S	ASM, BRACKET WATER BLOW OFF (M7, M8, M10, M11)			
NS	B9102097	CAP W/O-RING (M1, M2, M4, M5, M7, M8, M10, M11)			
NS	0162D00000P	FLOWRATOR (M1, M2)			
NS	0162D00001P	FLOWRATOR (M4, M5)			
NS	0162D00002P	FLOWRATOR (M7, M8)			
NS	0162D00003P	FLOWRATOR (M10, M11)			
NS	0162D00078	FLOWRATOR, AL (M3)			
NS	0162D00079	FLOWRATOR, AL (M6)			
NS	0162D00080	FLOWRATOR, AL (M9)			
NS	0162D00081	FLOWRATOR, AL (M12)			
NS	B1787000	VALVE CORE (M1, M2, M4, M5, M7, M8, M10, M11)			