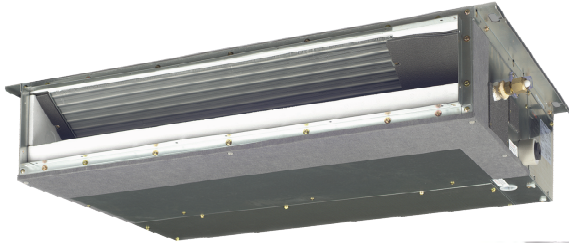


| | |
|-----------|--|
| Job Name: | |
| Tag# | |



| | |
|------------------------------------|-------------------|
| Submittal Data Sheet | CDXS24LVJU |
| 2-Ton Ducted Concealed Indoor Unit | |



| Indoor Specifications | | | | |
|-------------------------------|---------------------------|-----|-------------------|-----|
| | Cooling | | Heating | |
| | H | M | H | M |
| Airflow Rate (cfm) | 565 | 523 | 565 | 523 |
| | L | SL | L | SL |
| | 477 | 395 | 477 | 395 |
| Sound (dBA) H / M / L / SL | 38 / 36 / 34 / 32 | | 38 / 36 / 34 / 32 | |
| Dimensions (H x W x D) (in) | 7-7/8 x 43-5/16 x 24-7/16 | | | |
| Weight (Lbs) | 66 | | | |
| Nominal Capacity (Btu/hr) | 24,000 | | | |

*See Outdoor Unit for Rated Capacities

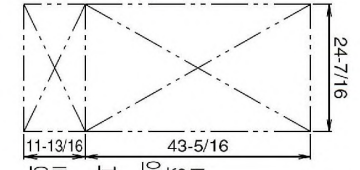
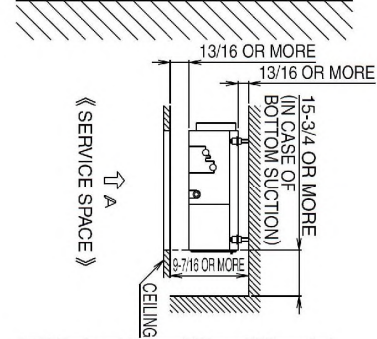
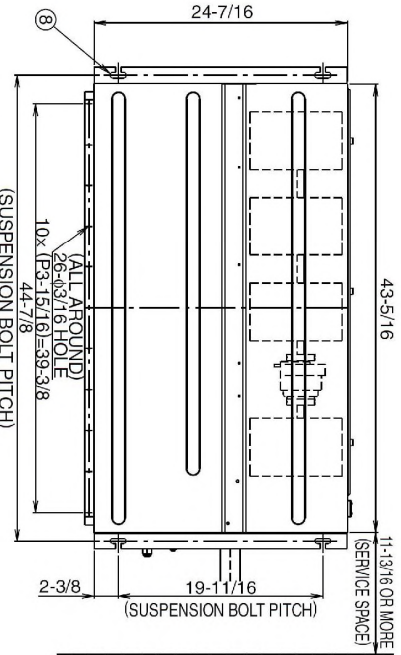
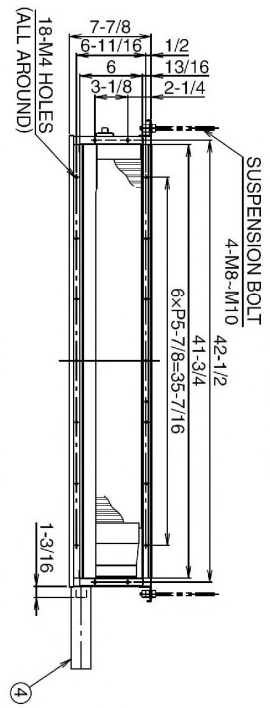
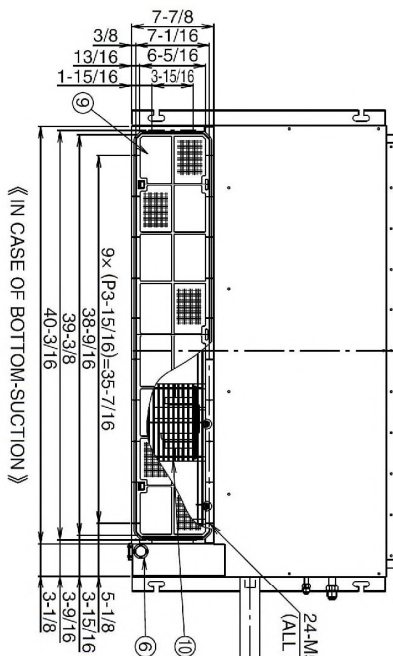
Complete warranty details available from your local dealer or at www.daikincomfort.com. To receive the 12-Year Parts Limited Warranty, online registration must be completed within 60 days of installation. Online registration is not required in California or Quebec. *If product is installed in a commercial application, limited warranty period is 5 years.*

| Piping | |
|-------------|-------|
| Liquid (in) | 1/4 |
| Gas (in) | 5/8 |
| Drain (in) | 25/32 |

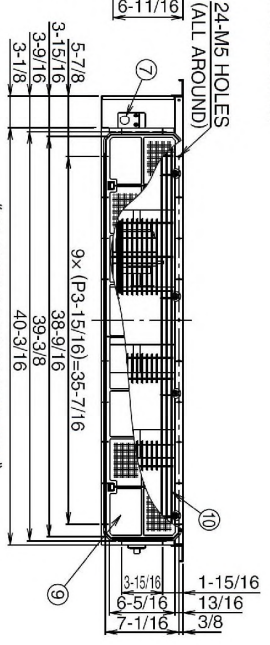
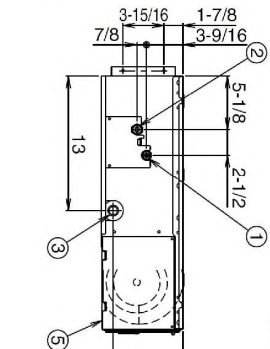
| Electrical | | |
|-------------------------------|----------|----------|
| | Cooling | Heating |
| Running Current (Rated) (A) | .79/.79* | .79/.79* |
| Power Consumption (Rated) (W) | 160/160* | 160/160* |

*208/230V

CDXS24LVJU Dimensional Data



- NOTE 1. IN CASE OF BACK-SUCTION, MOUNT CHAMBER COVER TO BOTTOM SIDE OF THE UNIT.
 IN CASE OF BOTTOM-SUCTION, MOUNT CHAMBER COVER TO BACK SIDE OF THE UNIT.
 2. LOCATION OF UNIT'S NAME PLATE: CONTROL BOX COVER
 3. MOUNT THE AIR FILTER AT THE SUCTION SIDE.
 (SELECT ITS COLOR/METHOD (GRAVITY METHOD) 50% OR MORE.
 IT CAN NOT BE EQUIPPED WITH AIR FILTER (ACCESSORY) WHEN CONNECTING DUCT TO SUCTION SIDE.

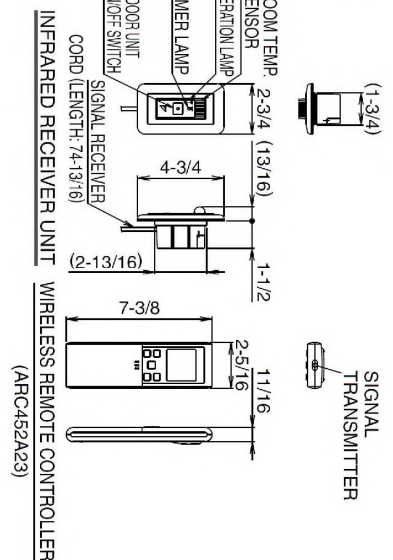


« IN CASE OF BACK-SUCTION »

| NUMBER | NAME | DESCRIPTION |
|--------|-----------------------------------|---------------------------------|
| 10 | PROTECTION NET | |
| 9 | AIR FILTER (STANDARD ACCESSORY) | |
| 8 | SUSPENSION BRACKET | |
| 7 | POWER SUPPLY CONNECTION | |
| 6 | INFRARED RECEIVER UNIT CONNECTION | |
| 5 | CONTROL BOX | |
| 4 | DRAIN HOSE (STANDARD ACCESSORY) | 1.D. 0.31/32 (OUTLET) |
| 3 | SOCKET FOR DRAIN | VP20 (O.D. φ1-1/32/I.D. φ25/32) |
| 2 | GAS PIPE CONNECTION | 0.5/8 (FLARE CONNECTION) |
| 1 | LIQUID PIPE CONNECTION | φ1/4 (FLARE CONNECTION) |

3D0080591

ARROW VIEW A
 INSPECTION DOOR
 (CEILING OPENING)



Daikin North America LLC 5151 San Felipe, Suite 500 Houston, TX 77056

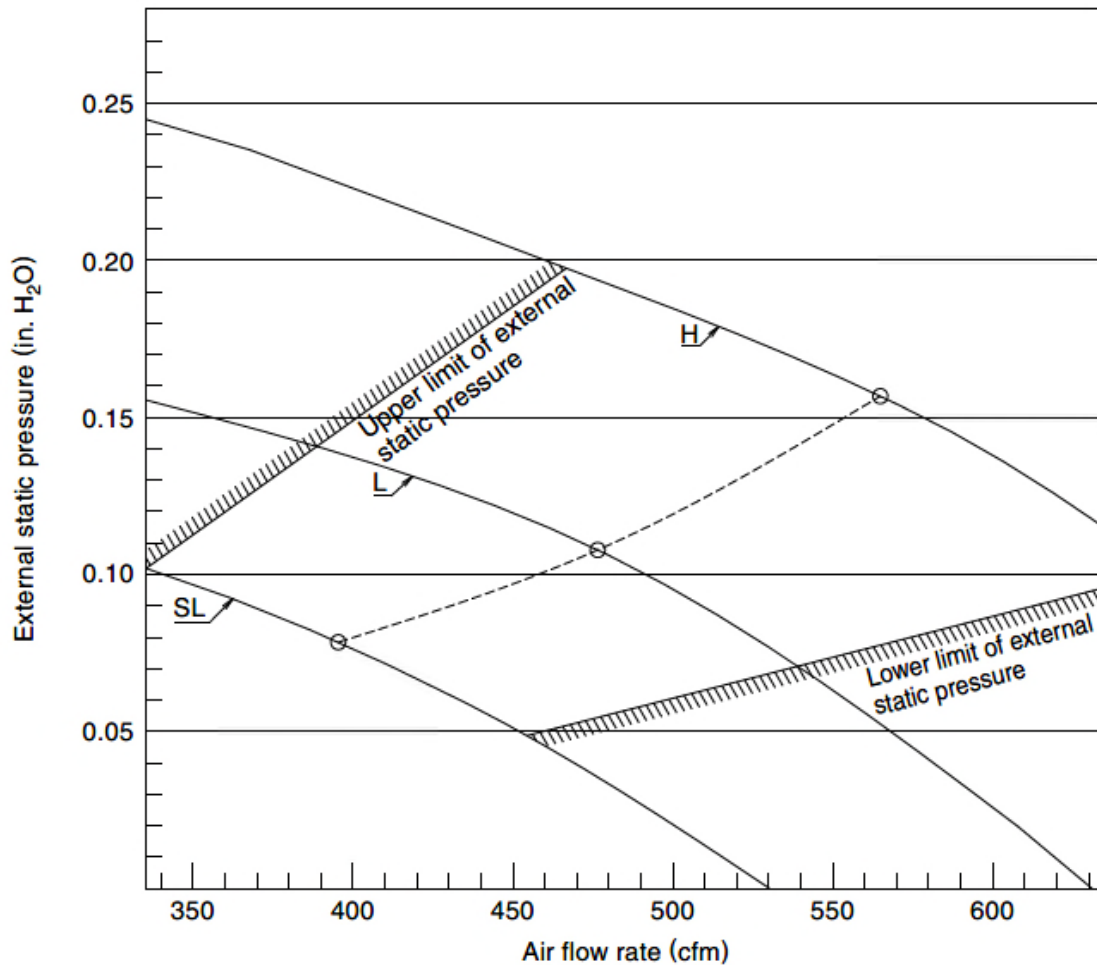
(Daikin's products are subject to continuous improvements. Daikin reserves the right to modify product design, specifications and information in this data sheet without notice and without incurring any obligations)

Optional Accessories



| Included | Part Number | Description |
|----------|-----------------|---|
| | BRP072A43 | Wireless Interface Adapter |
| | BRC944B2-A08 | Wired Remote Controller kit |
| | BRCW901A08 | Wired Remote Controller Cable – 25 ft (included in above kit) |
| | BRCW901A03 | Wired Remote Controller Cable – 10 ft |
| | DACA-ARCW901P10 | IR Receiver Cable, Plenum Rated, 10ft |
| | DACA-ARCW901P25 | IR Receiver Cable, Plenum Rated, 25ft |
| | DACA-TS1-1 | Daikin ENVi Intelligent Thermostat Kit |
| | DACA-CP2-1 | Maxi Orange Condensate Pump |
| | DACA-CP3-1 | Mini Condensate Pump 5 gph |
| | KRP928BB2S | Interface adaptor for DIII-NET |

External Static Pressure / Airflow Chart



Daikin North America LLC 5151 San Felipe, Suite 500 Houston, TX 77056

(Daikin's products are subject to continuous improvements. Daikin reserves the right to modify product design, specifications and information in this data sheet without notice and without incurring any obligations)