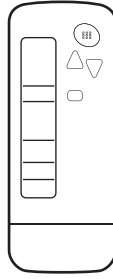


DAIKIN



WIRELESS REMOTE CONTROLLER KIT

INSTALLATION MANUAL

Installation manual
Manuel d'installation
Manual de instalación

English

Français

Español

MODELS

BRC082A41W
BRC082A42W
BRC082A42S

	1	1	2	3	4	5	6	7
BRC082A41W	1	/	1	1	1	2	1	2
BRC082A42W	/	1	1	1	1	2	1	2
BRC082A42S	/	1	1	1	1	2	1	2

	8	9	10	11	12	13
BRC082A41W	1	1	4	4	1	/
BRC082A42W	1	1	3	4	1	1
BRC082A42S	1	1	3	4	1	1

Figure 1

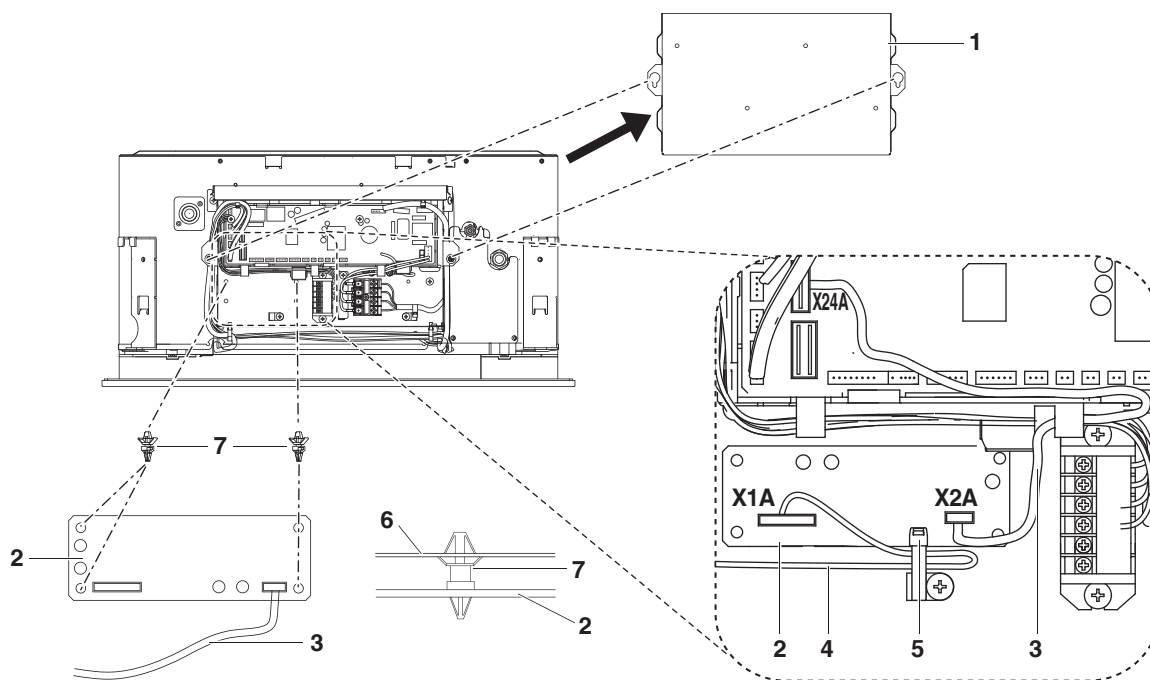


Figure 2

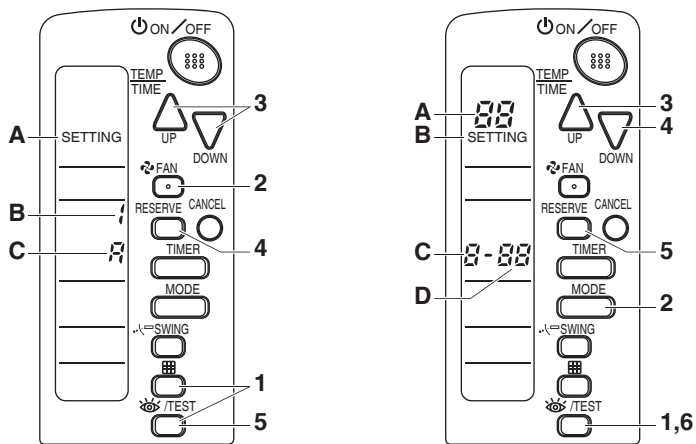


Figure 3

Figure 4

Contents

Safety considerations	1
Before installation	1
Accessories.....	1
Note to the installer	1
Remote controller installation	2
Installing the wireless remote controller.....	2
Determination of address and MAIN/SUB remote controller.....	2
Setting procedure.....	2
Installation of the transmitter board.....	3
Installation of the decoration panel	3
Installation of the receiver in case of BRC082A41W	4
Installation of the receiver in case of BRC082A42W/S	4
Field setting	5



READ THIS MANUAL ATTENTIVELY BEFORE STARTING UP THE UNIT. DO NOT THROW IT AWAY. KEEP IT IN YOUR FILES FOR FUTURE REFERENCE.

IMPROPER INSTALLATION OR ATTACHMENT OF EQUIPMENT OR ACCESSORIES COULD RESULT IN ELECTRIC SHOCK, SHORTCIRCUIT, LEAKS, FIRE OR OTHER DAMAGE TO THE EQUIPMENT. BE SURE ONLY TO USE ACCESSORIES MADE BY DAIKIN WHICH ARE SPECIFICALLY DESIGNED FOR USE WITH THE EQUIPMENT AND HAVE THEM INSTALLED BY A PROFESSIONAL.

IF UNSURE OF INSTALLATION PROCEDURES OR USE, ALWAYS CONTACT YOUR DAIKIN DEALER FOR ADVICE AND INFORMATION.

The English text is the original instruction. Other languages are translations of the original instructions.

Safety considerations

Please read this "Safety considerations" carefully before installing air conditioning equipment and be sure to install it correctly. After completing the installation, make sure at start up operation that the unit operates properly. Please instruct the customer how to operate the unit and how to perform maintenance.

Meaning of caution symbols



Failure to observe these instructions properly may result in property damage or personal injury.

Information classified as **NOTE** contains instructions to ensure proper use of the equipment.



- Refer also to the installation manual supplied with the indoor unit and the installation manual supplied with the decoration panel.
- There is only 1 possible installation position of this kit into the decoration panel. It is therefore recommended that installation orientation of the decoration panel is confirmed prior to installation of this kit.
 - Ensure that nothing interrupts operation of the wireless remote controller.
 - Ensure that the signal from the remote controller can easily be transmitted.
 - Ensure that the operation display lamp and other indicator lamps can easily be seen.
 - Ensure that there is neither a source of light nor a fluorescent lamp near the receiver.
 - Ensure that the receiver is not exposed to direct sunlight.

Before installation

Accessories

See figure 1. Check if the following accessories are included with your kit.

- 1 Receiver
- 2 Transmitter board
- 3 Wireless remote controller
- 4 Remote controller holder
- 5 Alkaline battery of type AAA.LR03
- 6 Unit number label
- 7 Screw for installing remote controller holder
- 8 Installation manual
- 9 Operation manual
- 10 Clamp
- 11 Plastic spacer
- 12 Plastic band
- 13 Sealing

Note to the installer

Be sure to instruct the customer how to properly operate the system showing him/her the supplied operation manual.

Remote controller installation

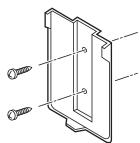
Installing the wireless remote controller

- Do not throw the remote controller or subject it to powerful shocks and do not store the remote controller where it may be exposed to moisture or direct sunlight.
- When operating, point the transmitting part of the remote controller in the direction of the receiver.
- The direct transmitting distance of the remote controller is approximately 23ft (7m).
- The signal cannot be transmitted if something such as curtains blocks the receiver and the remote controller.

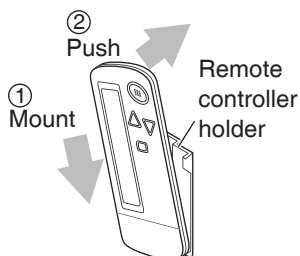
Installing to a wall or a pillar

- 1 Turn on all the fluorescent lamps in the room, if any, and find a location where the remote controller signals are properly received by the indoor unit (within 23ft (7m)).

- 2 Fix the remote controller holder with the supplied screws.

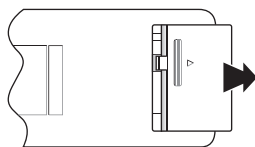


- 3 Mount the remote controller on to the hook of the remote controller holder and then push it toward the wall.

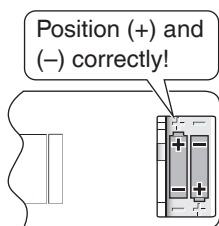


How to insert the batteries

- 1 Slide the back cover to take it off.



- 2 Insert 2 dry batteries AAA. LR03 (alkaline).



- 3 Replace the back cover.

Determination of address and MAIN/SUB remote controller

- If setting multiple wireless remote controllers to operate in one room, perform address setting for the receiver and the wireless remote controller.
- If using both a wired remote controller and a wireless remote controller with one indoor unit, change the MAIN/SUB switch of the transmitter board.

Setting procedure

Setting the transmitter board

Set the wireless address switch (SS2) on the transmitter board according to the table below.

	Unit No.		
	1	2	3
Wireless address switch (SS2)			

When using both a wired and a wireless remote controller for 1 indoor unit, the wired controller should be set to MAIN. Therefore, set the MAIN/SUB switch (SS1) of the transmitter board to SUB.

	MAIN	SUB
MAIN/SUB switch (SS1)		

Setting the address of the wireless remote controller

(See figure 3)

- A Field Set mode
- B Address (is factory set to "1")
- C Display setting

Setting from the remote controller

- 1 Hold down the button and the /TEST button for at least 4 seconds to enter the Field Set mode. (Indicated in the display area in the figure.)
- 2 Press the FAN button and select an appropriate display setting (A/B). Each time the button is pressed the display switches between "A" and "B". Refer to "Display setting A/B" on page 3 for full comprehension of this feature.
- 3 Press the UP button and DOWN button to set the address.



Address can be set from 1 to 6, but set it to 1-3 and to same address as the receiver. (The receiver does not work with address 4-6.)

- 4 Press the RESERVE button to confirm the setting.
- 5 Press the /TEST button to quit the Field Set mode and to return to normal display again.

Display setting R/b

The wireless remote controller has 2 possible display settings. The standard setting **R** permanently indicates all operational items whereas the multi system display setting **b** indicates operations for a limited period of time after execution of settings only.

In case the target indoor unit is simultaneously being controlled;

- by another unit in group control,
- by a wired remote controller,
- by a centralized remote controller.

the indoor unit sometimes does not respond to ON/OFF and temperature setting commands from the wireless remote controller.

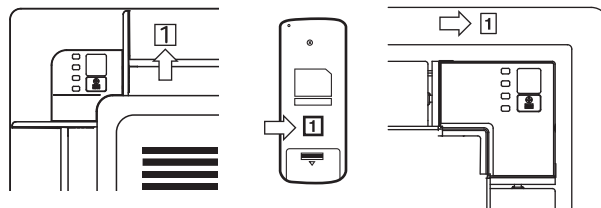
In order not to confuse the customer with possible discrepancies between the wireless remote controller display and the actual operation state of the indoor unit, it is recommended to set the display on the wireless remote controller to **b** in such a control configuration.

Check what setting the customer prefers and adjust the display setting accordingly.

Display setting	Remote controller display	Result of the display setting in case the target indoor unit is simultaneously being controlled by more than 1 device
R: standard	All operational items are permanently displayed.	In the operation mode changeover, temperature setting or the like are carried out from the wireless remote controller, the indoor unit rejects the instruction. (Signal receiving sound, 1 long beep or 3 short beeps) As a result, a display discrepancy between the operation state of the indoor unit and the indication on the wireless remote controller display occurs.
b: multi system	Operations only remain displayed for a short time after execution of the commands.	Since the indications on the wireless remote controller are turned off, a discrepancy such as described above no longer occurs.

Affix the unit number label

Affix corresponding unit number labels onto both air outlet of the decoration panel and onto back of the wireless remote controller.



NOTE Set the Unit No. of the receiver and the wireless remote controller to be equal. If the settings differ, the signal from the remote controller cannot be transmitted.

Installation of the transmitter board

(See figure 2)

- 1 Electrical wiring box cover
- 2 Transmitter board
- 3 Shorter wire harness
- 4 Longer wire harness
- 5 Clamp
- 6 Electrical wiring box
- 7 Plastic spacer

- 1 Cut off the power supply.
- 2 Remove the electrical wiring box cover as described in the installation manual supplied with the indoor unit.
- 3 Attach four plastic spacers (7) to the transmitter board (2) and install it in the electrical wiring box (6).
- 4 Connect the shorter wire harness from the X2A connector on transmitter board (2) to X24A connector on the printed circuit board in the electrical wiring box of indoor unit. Lay down the shorter wire harness as shown in the figure 2.
- 5 When the receiver is installed bring the longer wire harness to the electrical wiring box of indoor unit and connect it to X1A connector on the transmitter board.
- 6 Clamp the wire harness by the clamp (5) as shown in the figure 2.

Installation of the decoration panel

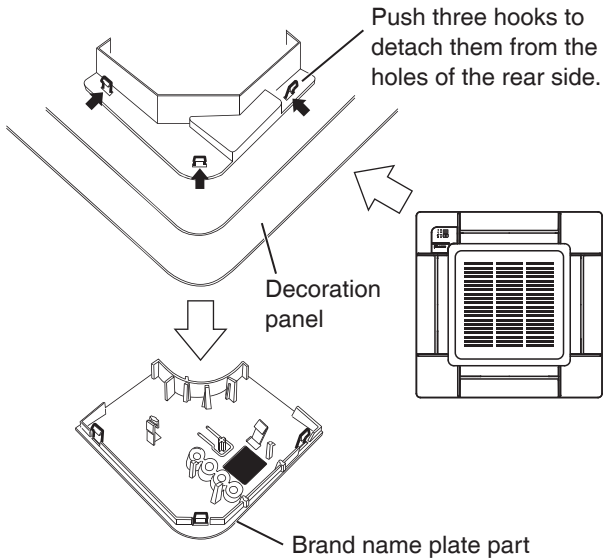
Install the decoration panel as described in the installation manual supplied with the decoration panel.

NOTE Make sure that the wire harness (longer one) from the transmitter board is not caught between the indoor unit and the decoration panel, and between the ceiling and the decoration panel.

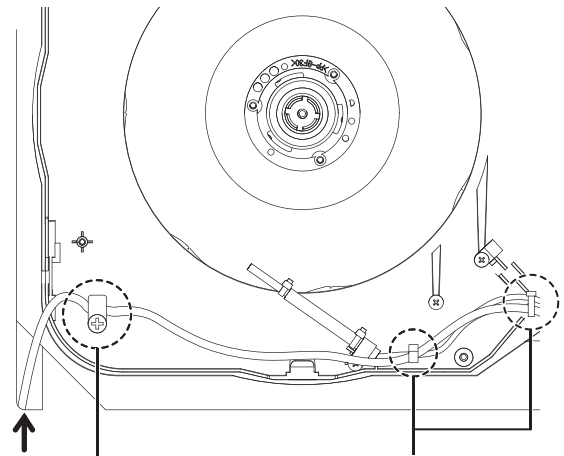
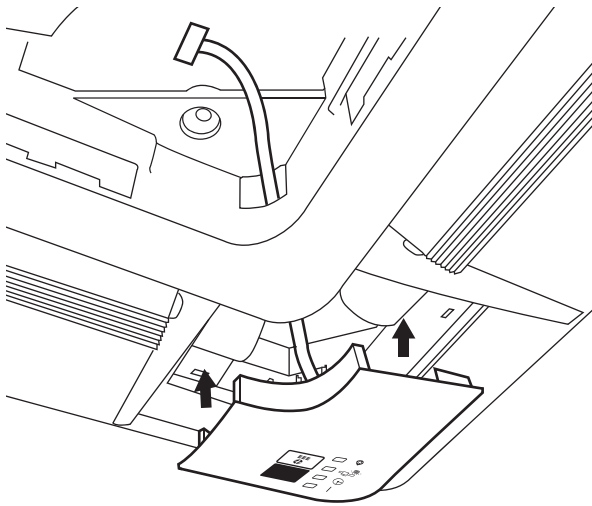
The installation process of the receiver depends on used decoration panel.

Installation of the receiver in case of BRC082A41W

- 1 Remove the suction grille as described in the installation manual supplied with the decoration panel.
- 2 Detach the brand name plate part of the decoration panel piece, before attaching the decoration panel. This part is not needed hereafter.
- 3 Remove the electrical wiring box cover as described in the installation manual supplied with the indoor unit. (Be sure to turn off power, before removing the electrical wiring box cover.)



- 4 Pass the wire harness from the receiver through the wiring hole of the decoration panel. Then attach the receiver to the decoration panel. Lead the wire harness to the electrical wiring box on the indoor unit and connect it to X1A connector on the transmitter board.

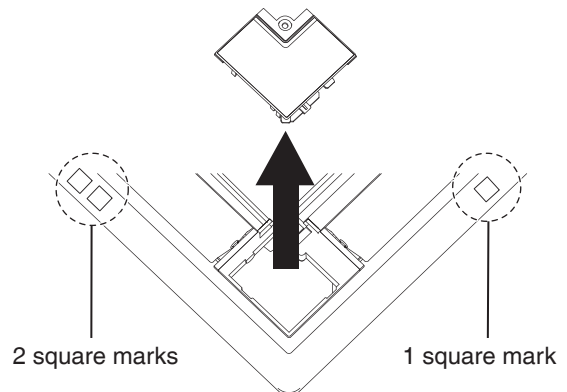


Remove the screw and input the plastic band. Then screw it back. The wire harness goes through the plastic band.

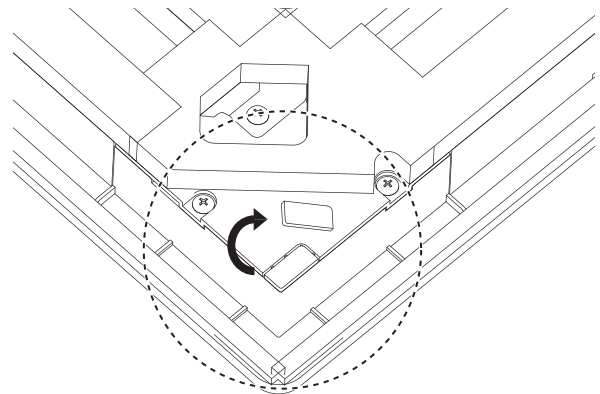
Clamp the wire harness from the receiver to other cables with the clamp.

Installation of the receiver in case of BRC082A42W/S

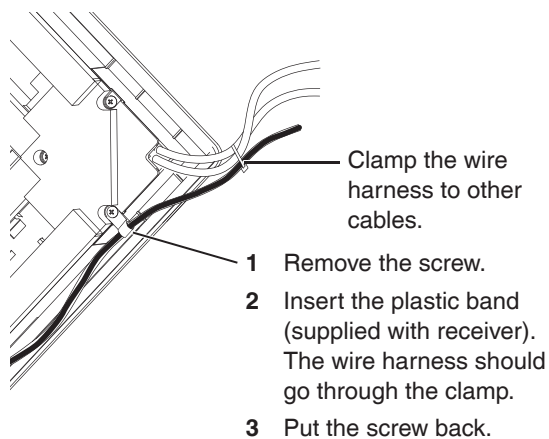
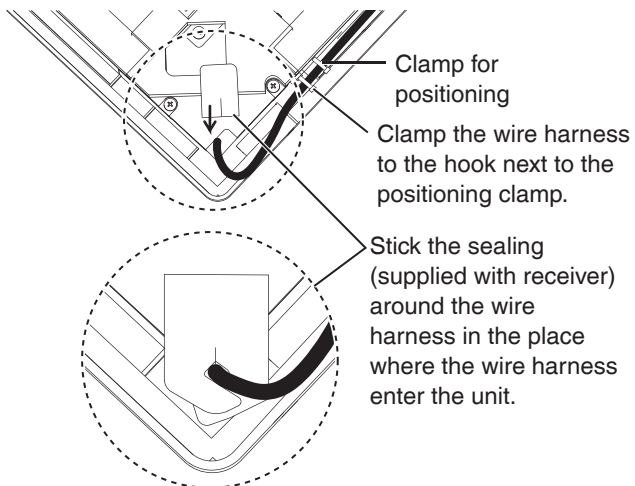
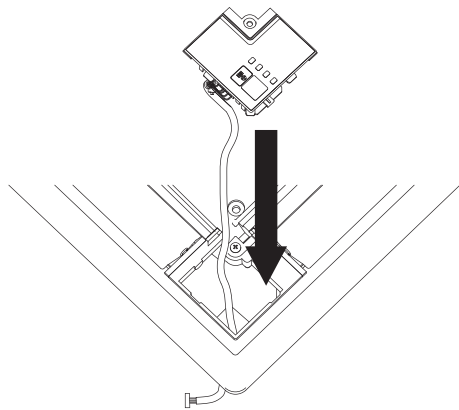
- 1 Remove the suction grille as described in the installation manual supplied with the decoration panel.
- 2 The receiver (1) should be installed in the corner that is surrounded by 2 square marks on one side and 1 square mark on the other, as shown in the illustration. Then remove the plastic corner cover.



- 3 Break off the plastic cover from back side of the panel.



- 4 Pass the wire harness through the hole and insert the cover into its position and screw it.



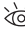



Field setting

If optional accessories are mounted on the indoor unit, the indoor unit setting may have to be changed. Refer to the instruction manual (option handbook) for each optional accessory.

(See figure 4)

- A Mode No.
- B Field Set mode
- C First code No.
- D Second code No.

Procedure

- 1 When in normal mode, hold down the /TEST button for at least 4 seconds to enter the Field Set mode.
- 2 Select the desired Mode No. with the MODE button.
- 3 Press the  button and select the First code No.
- 4 Press the  button and select the Second code No.
- 5 Press the RESERVE button to confirm the settings.
- 6 Press the /TEST button to quit the Field Set mode and to return to normal display again.

Example

If the time to clean air filter is set to “Filter Contamination-Heavy”, set Mode No. to “03”, First code No. to “03”, and Second code No. to “02”.

Mode No.	First code No.	Description of setting		Second code No.				
				01		02		03
03	0	Sets operation time until AIR FILTER CLEANING TIME INDICATOR lamp lights up. (When dirt and dust levels are high, change the setting to “Filter Contamination-Heavy”.)	Long-life filter	Light	±2,500 hrs.	Heavy	±1,250 hrs.	—
	3	Changes AIR FILTER CLEANING TIME INDICATOR lamp on/off settings.		On		Off		—
03	0	Setting air outlet velocity. This setting is to be changed in function of ceiling height (H).		≤8-7/8ft (≤2.7m)	8-7/8<H≤9-13/16ft (2.7<H≤3.0m)	9-13/16<H≤11-1/2ft (3.0<H≤3.5m)		
	1	Selection of air flow direction. This setting is to be changed when blocking pad optional kit is used.		4-way flow	3-way flow	2-way flow		
	4	Airflow direction range setting. This setting is to be changed when range of swing flap movement needs to be changed.		Upper	Medium	Lower		

NOTE

Factory settings of the Second code No. are marked in grey backgrounds.

Do not use any settings not listed in the table.

For group control with a wireless remote controller, initial settings for all the indoor units of the group are equal.

(For group control, refer to the installation manual supplied with the indoor unit for group control.)

GOODMAN MANUFACTURING COMPANY, L.P.

5151 San Felipe, Suite 500
Houston, TX 77056 USA

DAIKIN INDUSTRIES, LTD.

Head office:
Umeda Center Bldg., 2-4-12, Nakazaki-Nishi,
Kita-ku, Osaka, 530-8323 Japan

Tokyo office:
JR Shinagawa East Bldg., 2-18-1, Konan,
Minato-ku, Tokyo, 108-0075 Japan
<http://www.daikin.com>



Two-dimensional bar code
is a manufacturing code.

3P444567-1

M15B280 (1607) HT