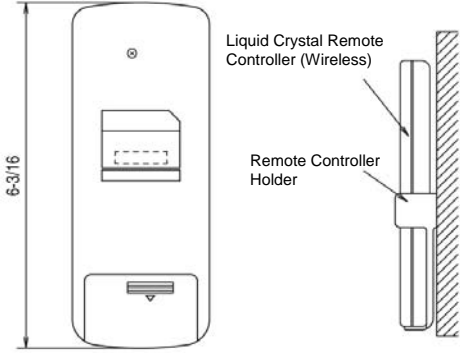
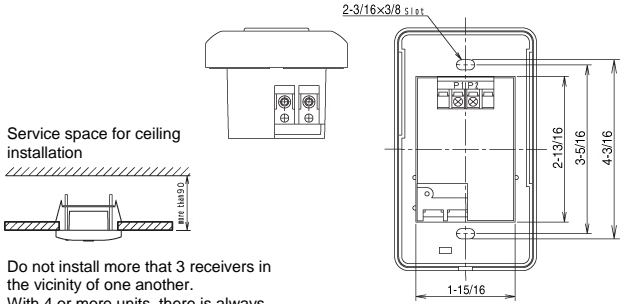
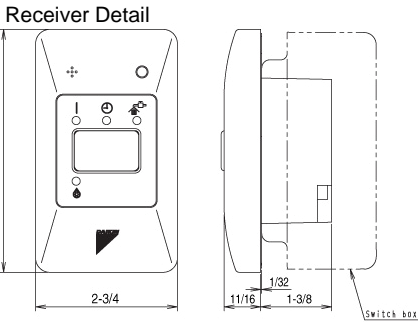
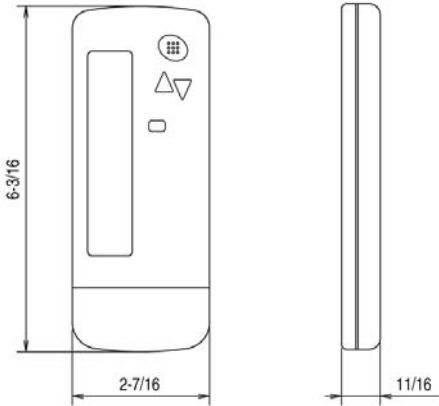


Job Name:	Location:
Purchaser:	
Engineer:	
Submitted To:	For: <input type="checkbox"/> Reference <input type="checkbox"/> Approval <input type="checkbox"/> Construction
Submitted By:	Date:
Unit Designation: Schedule #:	Model No.:

For use with the following Daikin VRV Models: FXDQ; FXMQ; FXSQ; FXLQ; FXNQ; FXOQ

FEATURES / BENEFITS	
	<ul style="list-style-type: none"> 1 group/maximum of 16 units controllable. Simple, compact and easy-to-operate unit.

OPERATION	Start/Stop
	Operation Mode
	Temperature Setting
	60°F – 90°F Set Point Range
	Fan Speed
	Airflow Direction
MONITORING	Status
	Malfunction Flashing
	Malfunction Content
	Operation Mode
	Temperature Setting
	Fan Speed
SCHEDULING	Auto ON/OFF Timer
	CONTROL MANAGEMENT



Daikin AC (Americas), Inc. ♦ 1645 Wallace Drive – Suite 110 ♦ Carrollton, TX 75006