

## FOR USE ON: LK5-2 ACCENT LIGHT ACCESSORY KITS

INSTRUCTIONS MUST BE LEFT WITH THE OWNER FOR FUTURE REFERENCE AFTER INSTALLATION.

### LK5-2 ACCENT LIGHT ACCESSORY KIT - MODELS

VFLB36FP(30,90)(N,P)-1

VFLB48FP(30,90)(N,P)-1

VFLB48SP90(N,P)-1

### ⚠ WARNING

All wiring should be done by a qualified electrician and shall be in compliance with all local, city and state building codes. Before making the electrical connection, make sure that main power supply is disconnected. The appliance, when installed, must be electrically grounded in accordance with local codes, with the national electrical code ANSI/NFPA 70 (latest edition).

When installing LK5 Light Kit, it is necessary to have a qualified electrician install a wall switch or rheostat to control the light.

1. Remove barrier screen assembly from fireplace by lifting up slightly and pulling out. **See Figure 1.**

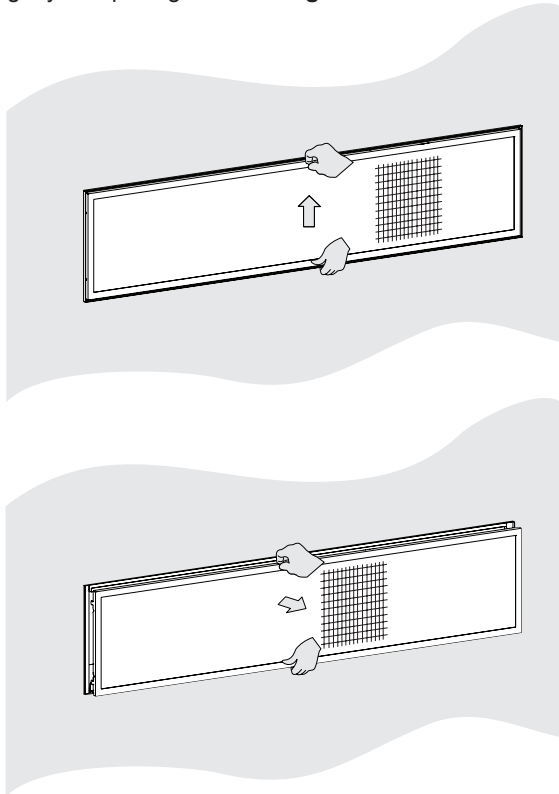


Figure 1

2. Remove glass panels around burner. **See Figure 2.**  
**NOTE:** VFLB48SP models will have four glass panels.

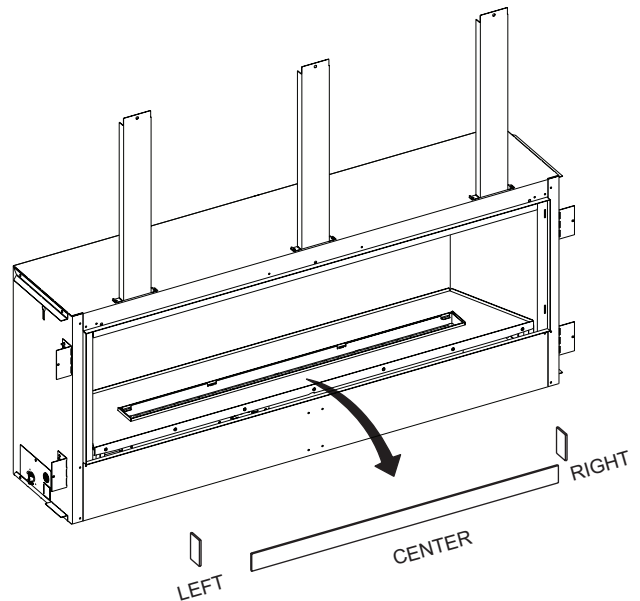
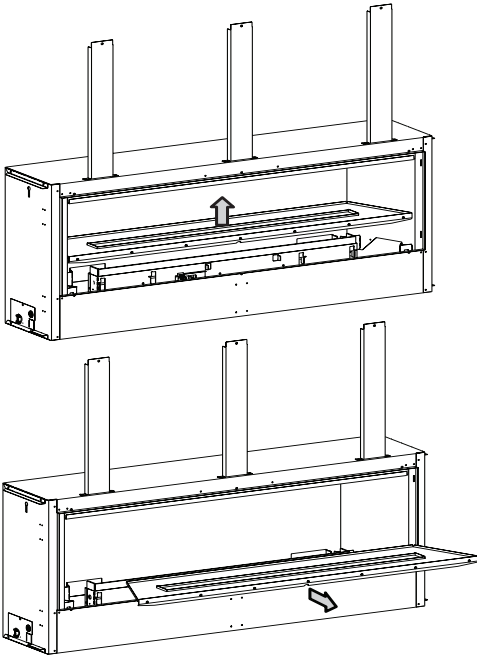


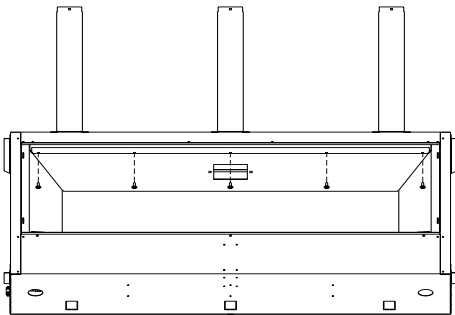
Figure 2

3. Remove the burner cover by lifting it up and out. **See Figure 3.**



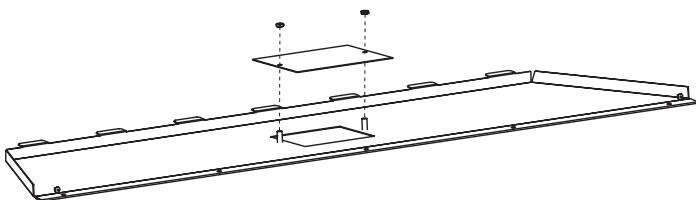
**Figure 3**

4. Remove the inner firebox top by removing five Phillips Truss Head Screws. **See Figure 4.**



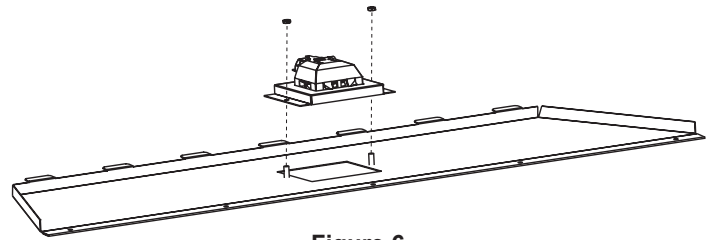
**Figure 4**

5. Remove plate from the inner firebox top by removing the two nuts securing it. Discard the plate. **See Figure 5.**



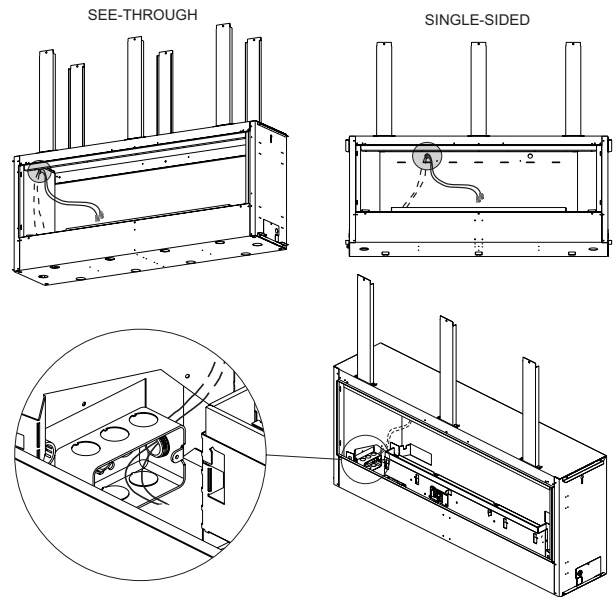
**Figure 5**

6. Secure the light kit bracket to the inner firebox top with the two nuts removed in Step 5. **See Figure 6.**



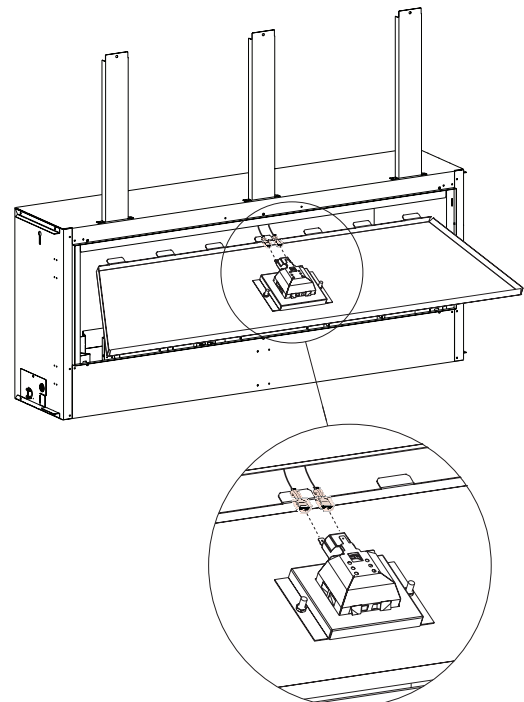
**Figure 6**

7. Thread wire harness through hole in the rear of the firebox, behind the rear of the firebox and down to the junction box on the bottom left side. **See Figure 7.**



**Figure 7**

8. Connect the wire harness to the light. **See Figure 8.**



**Figure 8**

- Reinstall the inner firebox top. Secure in place with the five Phillips Truss Head Screws removed in Step 4. See Figures 4 and 9.

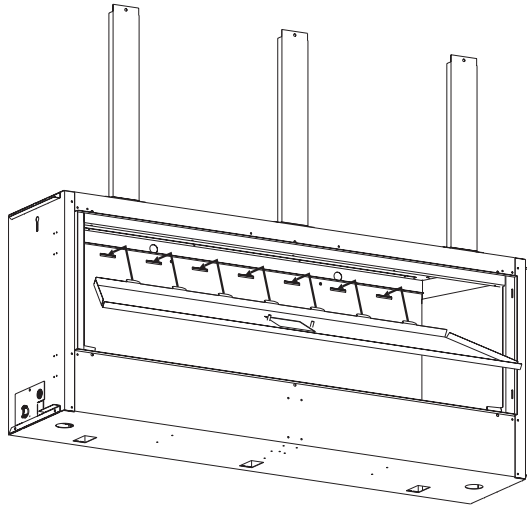


Figure 9

- Connect the wire harness from the light kit to incoming power from the wall switch inside the junction box. See Junction Box Wiring Instructions and Figures 11 and 12.
- Reinstall the burner cover removed in Step 3. See Figure 3.
- Reinstall glass panels removed in Step 2. See Figure 2.  
**NOTE:** Verify glass panels are level.
- Reinstall the Barrier Screen onto the fireplace by lining up the tabs with the slots in the firebox. Push the barrier screen toward the unit and lower it slightly to lock in place. See Figure 10.

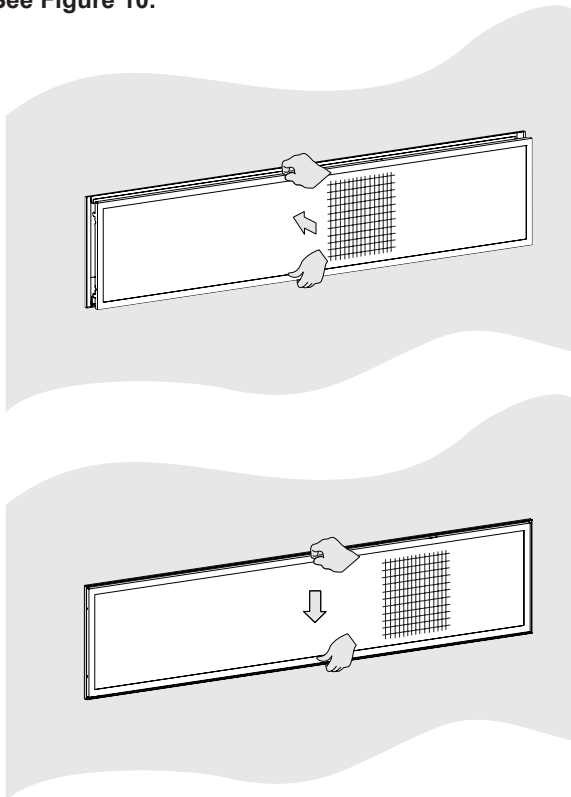


Figure 10

## JUNCTION BOX WIRING INSTALLATION INSTRUCTIONS

- Remove the electrical access cover panel from the left end of the fireplace. See Figure 11.

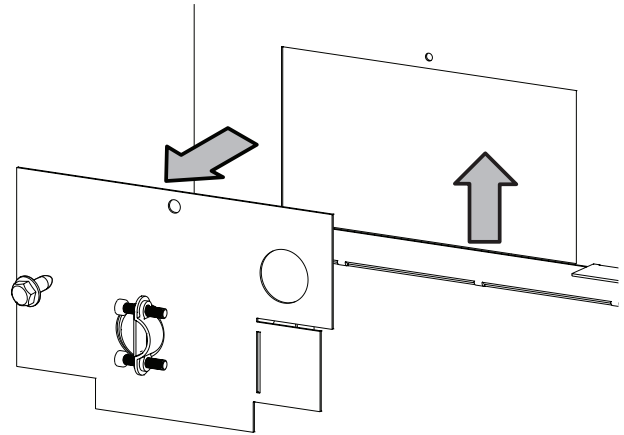


Figure 11

- A factory installed junction box is located in the lower left side of the fireplace. A separate 120V line is needed to connect the light kit wiring directly to a wall switch. Run 14/2 Nm-B with ground or 12/2 Nm-B with ground wire from the wall switch through the electrical access panel and into the Junction box. See Figure 12.
- Remove the 7/8" diameter knockout in the side of the junction box, install the 7/8" diameter protective grommet, run the light kit wires through this grommet, and connect the wiring with wire nuts as shown in Figure 12. Secure the ground wire under the green ground screw provided in the junction box.
- For VFLB(36,48)FP90(N,P) or VFLB48SP90(N,P) models, attach the receptacle to the junction box. Reattach the cover plate.
- For VFLB(36,48)FP30(N,P), tuck the wires into the junction box and attach the solid cover plate supplied with this kit using the screws provided.
- Re-install the junction box and electrical access cover panel onto the firebox using the screw removed in step 1. See Figure 11.

## JUNCTION BOX CONNECTIONS

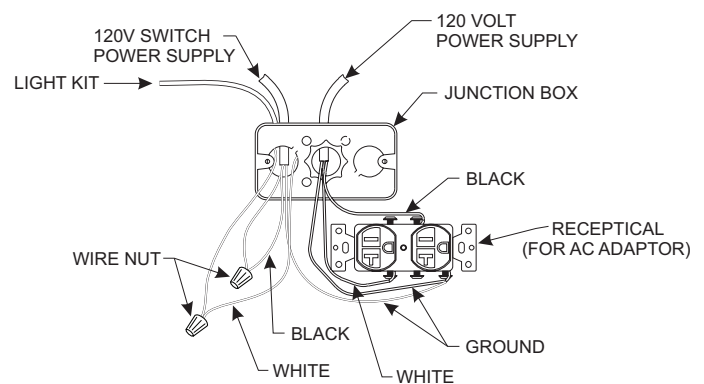
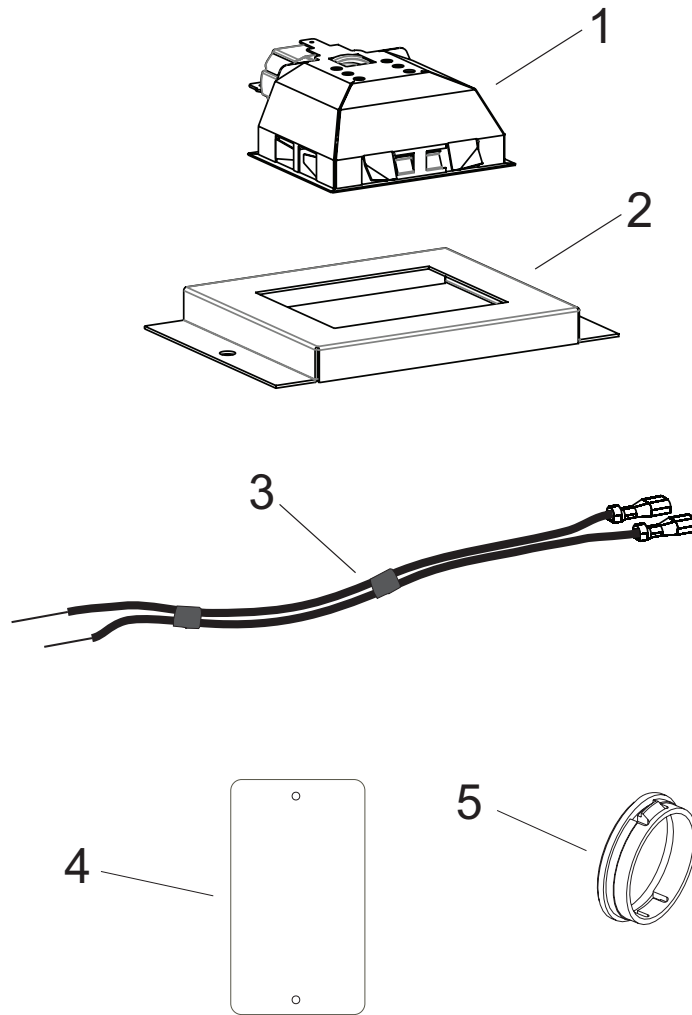


Figure 12



| INDEX NO. | PART NUMBER              | DESCRIPTION         |
|-----------|--------------------------|---------------------|
|           | VBP(36,48)(FP,SP)(N,P)-1 |                     |
| 1         | R9828                    | Accent Lamp         |
| 2         | 29485                    | Accent Lamp Bracket |
| 3         | R11238                   | Wire Assembly       |
| 4         | R11243                   | Cover Plate         |
| 5         | R1404                    | Bushing             |



**Empire Comfort Systems Inc.  
Belleville, IL**

If you have a general question about our products, please e-mail us at [info@empirecomfort.com](mailto:info@empirecomfort.com).

If you have a service or repair question, please contact your dealer.

[www.empirecomfort.com](http://www.empirecomfort.com)