

Submittal Data: 18RLXFZH
Inverter Driven Heat Pump

18,000 BTU Multi-Zone System

Job Name: _____

Date: _____

Location: _____

Approval: _____

Engineer: _____

Construction: _____

Submitted to: _____

Unit #: _____

Submitted by: _____

Drawing #: _____

Reference: _____

General Features

- Wired or wireless remote
- Apple catechin filter
- Ion deodorizing filter
- Auto louver: up/down
- Auto louver: 4-way
- Low ambient cooling
- Cold prevention
- Blue fin coating
- Standard Warranty: 5 years parts, 7 years compressor. Applies to systems purchased before June 1st 2015*
- Extended Warranty: 10 years parts, 10 years compressor. Systems that have been installed on or after June 1st 2015 by licensed contractors and the online Product Registration has been submitted.**
- Elite Contractor Extended Warranty: 12 years parts, 12 years compressor. Systems that have been installed on or after June 1st 2015 by contractors who have met requirements and have been approved for elite contractor status plus, the online Product Registration has been submitted.***

Model Information

Condenser..... AOU18RLXFZH
Evaporator*1..... (ASU) / (ARU) / (AGU) / (AUU) 7,9,12RLF(1)
Connectable indoor units..... 2
Total capacity range..... 14,000 – 21,000 Btu/h
Electrical..... 208/230V AC 1ph-60Hz
Available Voltage Range..... 208/230 +/- 10%
Minimum Circuit Ampacity..... 19.7 A
Max Fuse Size..... 20 A
Max Starting Current..... 7.9 A

Input Power

Cooling..... (non-duct) 1.33 kW / (ducted) 1.45 kW / (mix) 1.39 kW
Heating..... (non-duct) 1.70 kW / (ducted) 1.79 kW / (mix) 1.74 kW

Current

Cooling..... (non-duct) 5.8 A / (ducted) 6.4 A / (mix) 6.1 A
Heating..... (non-duct) 7.5 A / (ducted) 7.9 A / (mix) 7.7 A

Capacity

Nominal Cooling..... 18,000 Btu/h
Min-Max Cooling..... 6,100 – 21,000 Btu/h
Nominal Heating..... 22,000 Btu/h
Min-Max Heating..... 6,800 – 24,400 Btu/h

Compressor

Motor Output..... 1,100 W
Refrigerant..... R410a
Charge..... 4 lbs. 3 oz
Oil..... RB68

Fan Motor

(Condenser) Type: DC..... Propeller x1
(Condenser) Motor Output..... 100 W
(Evaporator) Type: DC..... (wall-mount) Cross flow
(compact cassette) Turbo
(ducted) Sirocco x2 (18 k x3)
(floor) Cross flow x2
(Evaporator) Motor Output..... (wall) 30W-42W (compact cassette) 54W (ducted) 80-81W
(floor) 16W

Heat Exchanger

Dimensions
(H x W x D) in. (mm)..... 31-7/16 x35-7/16 x 1-7/16 (798x900x36.38)
Fin Pitch..... 20 FPI
Rows x Stages..... 2 x 38
Pipe Type (Material)..... Copper
Fin Type (Material)..... Aluminum (Blue fin)



Operation Temperature Range

Cooling..... 14°F - 115°F (-10°C - 46°C)
Heating..... -15°F - 75°F (-26°C - 24°C)

Efficiency

SEER*2..... (wall-mount) 21.5 (duct) 19 (mix) 20.3
EER (cooling)..... (wall-mount) 13.5 Btu/W (duct) 12.4 Btu/W (mix) 13 Btu/W
COP (heating)..... (wall-mount) 3.79 W/W (duct) 3.60 W/W (mix) 3.70 W/W
HSPF (heating)..... (wall-mount) 10.3 (duct) 9 (mix) 9.7

Enclosure

(condenser)
Material..... Painted galvanized steel
Color..... Beige (10 YR 7.5/1.0 NN)

Sound Pressure Level

Condenser..... 48 dB(A)

Dimensions

H x W x D
Condenser
Net in. (mm)..... 32-11/16 x 35-7/16 x 13 (830x900x330)
Gross in. (mm)..... 38-3/16 x 41-5/16 x 17-1/2 (970x1,050x445)

Connection Pipe

Liquid..... 1/4" x2
Gas..... 3/8" x2
Method (Liquid/Gas)..... Brazing
Max Length (Pre-charge)..... 164ft. (50m) / (98 ft. {30m})
Max Height Difference..... 49 ft. (15m)

Weight

Condenser..... 134 lbs. (61 kg)
Evaporators..... (wall-mount) 19 lbs. - 31 lbs.
(compact cassette) 33 lbs.
(ducted) 37 lbs. - 49 lbs.
(floor) 31 lbs.

Accessories

Wired Remote Controller..... UTY-RVNUM
Wired Remote Controller..... UTY-RNNUM
Simple Remote Controller..... UTY-RSNUM

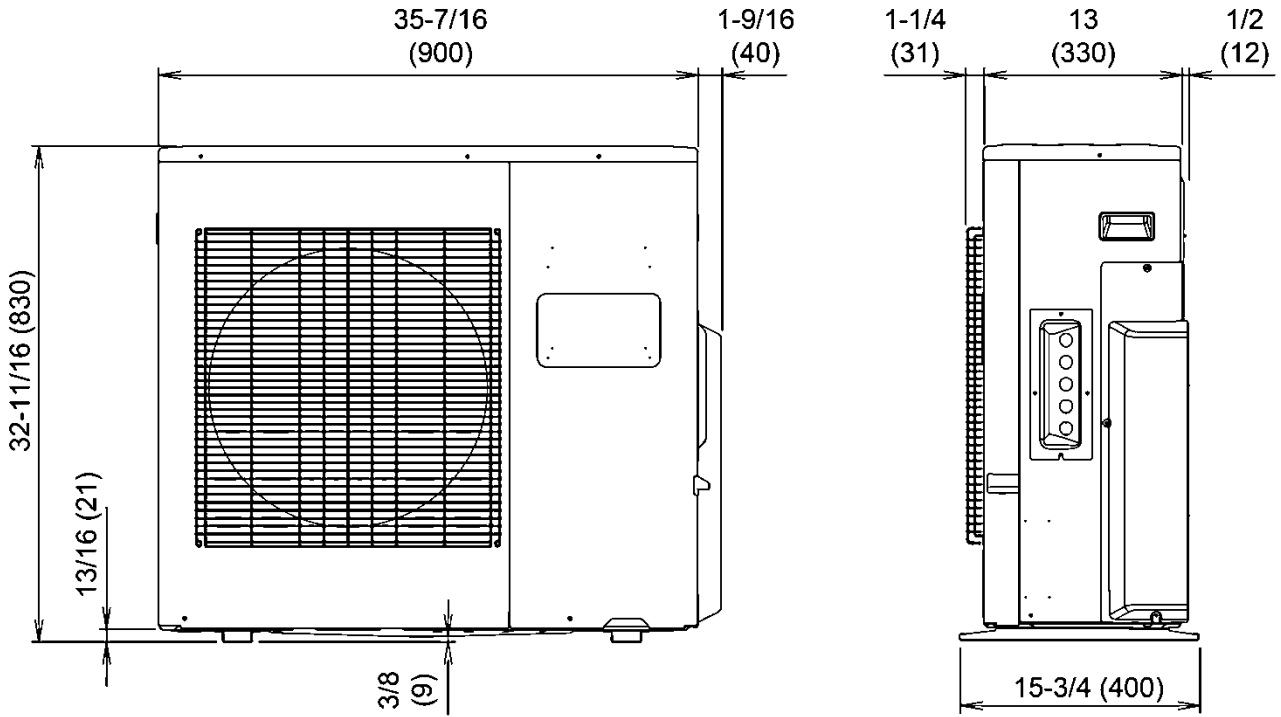
Intertek®ETL Number

AOU18RLXFZH..... 91987

*1 Reference brochure for approved combinations. *2 Test conditions are based on AHRI 210/240.
Note: Specifications are based on the following conditions: Cooling: Indoor temperature of 80°F (26.7°C) DB/67°F (19.4°C) WB, and outdoor temperature of 95°F (35°C) DB/75°F (23.9°C) WB. Heating: Indoor temperature of 70°F (21.1°C) DB/59°F (15°C) WB, and outdoor temperature of 47°F (8.33°C) DB/43°F (6.11°C) WB. Pipe length: 24ft. 7in. (7.5m). Height difference: 0ft. (0m) (Outdoor unit – indoor unit)
Standard warranty10 year warranty***12 year warranty

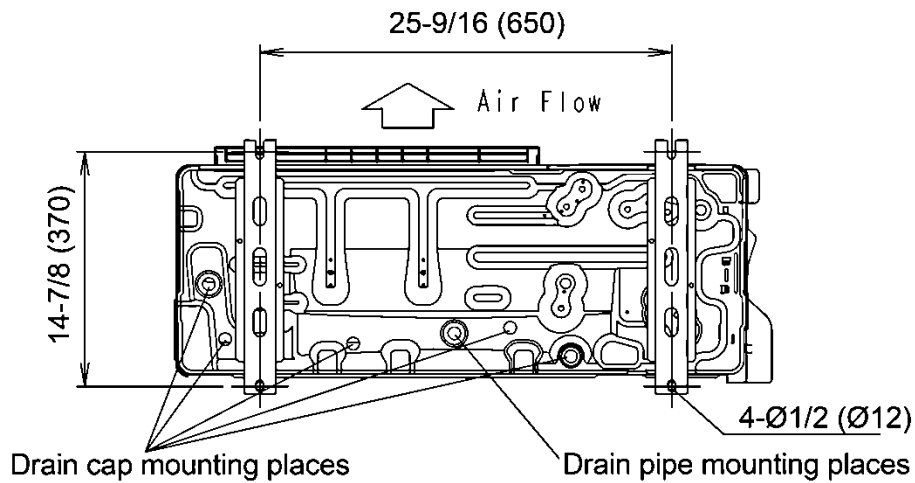
Dimensions: 18RLXFZH

[Unit: in. (mm)]



Front view

Side view



Bottom view