

Inverter Driven Heat Pump

9,000 BTU Single Zone High SEER Wall Mounted System

Job Name _____
 Location _____
 Engineer _____
 Submitted To _____
 Submitted By _____
 Reference _____

Date _____
 Approval _____
 Construction _____
 Unit No _____
 Drawing No _____

PRODUCT FEATURES

- Auto Changeover
- Weekly & 24 hr. Timer
- Auto Louver: 4 way
- Minimum Heat Mode
- Built in WiFi
- Auto Restart
- Base Pan Heater
- Energy Saving Program(ESP)
- Wireless Remote control
- Outdoor Unit Low Noise Schedule



Heating down to -15°F outdoor temperatures



MODEL NUMBERS	
Indoor Unit	ASU9RLS3Y
Outdoor Unit	AOU9RLS3H
System	9RLS3YH

EFFICIENCIES	
SEER	33
EER	18
HSPF	14.2
COP	18.2

OUTDOOR TEMPERATURE OPERATION RANGE		
Cooling	°F(°C)	14 to 115 (-10 to 46)
Heating		-15 to 75 (-26 to 24)

CAPACITIES			
Cooling	Rated	BTU/hW	9,000
	Min.-Max.		3100 - 12000
Heating	Rated		12,000
	Min.-Max.		3100 - 22000

LINESET REQUIREMENTS		
Connection Method		Flare
Liquid	in (mm)	Ø1/4 (Ø6.35)
Gas		Ø3/8 (Ø9.52)
Pre-Charge Length	ft (m)	49 (15)
Minimum Length		10 (3)
Maximum Length		66 (20)
Max. Height Diff.		49 (15)

INDOOR DIMENSIONS & WEIGHT		
Net (H x W x D)	in	11 - 5/8 x 37 x 10 - 5/8
	mm	295 x 940 x 270
Gross (H x W x D)	in	14 - 3/8 x 40 - 15/16 x 14
	mm	365 x 1040 x 355
Net Weight	lb (kg)	31 (14.0)
Gross Weight		37 (17.0)

OUTDOOR DIMENSIONS & WEIGHT		
Net (H x W x D)	in	24-1/2 x 31-1/8 x 11-7/16
	mm	620 x 790 x 290
Gross (H x W x D)	in	28 - 1/16 x 37-3/16 x 15 - 9/16
	mm	713 x 945 x 395
Net Weight	lb (kg)	86
Gross Weight		95

Warranty Information



7 Year Compressor, 5 Year Parts out-of-the-box Warranty



10 Year Compressor, 10 Year Parts Warranty when registered within 60 days of installation in a residence



12 Year Compressor, 12 Year Parts Warranty when registered within 60 days of installation in a residence, and installed by a Fujitsu Elite contractor

ACCESSORIES

UTY-TTRX	3rd Party Thermostat Converter
UTY-TWBXF1	Interface Kit
UTY-RNNUM	Wired Remote
UTY-RVNUM	Wired Remote w/backlight
UTY-RSNUM	Simple Remote
UTY-XWZXZ5	Dry Contact Wire Kit



This system combination is Energy Star qualified



+App available in Apple® App Store and Google® Play Store.



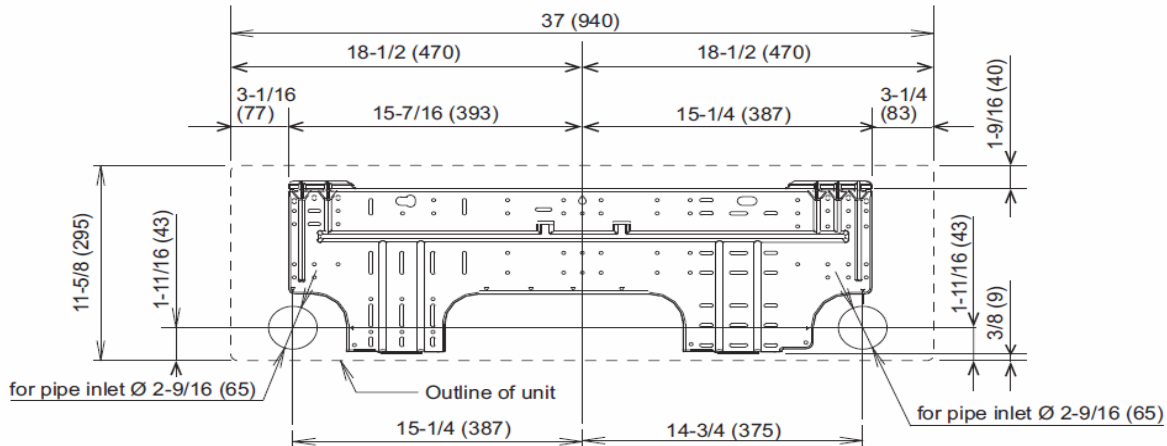
Indoor Unit ETL#: 3170288
 Outdoor Unit ETL#: 91987

Inverter Driven Heat Pump

9,000 BTU Single Zone High SEER Wall Mounted System

FAN DATA				ELECTRICAL SPECIFICATIONS						
Indoor Unit Airflow Rate	Cooling	High	CFM (m3/h)	489(830)	Voltage/Frequency/Phase			208/230V~60HZ		
		Medium		400(680)	Voltage Range			187-253V~60HZ		
		Low		341(580)	Current	Cooling	Rated	A	2.5	
		Quiet		224(380)		Heating	Rated		3.3	
	Heating	High	CFM (m3/h)	489(830)	Maximum Operating Current				Cooling	9.4
		Medium		400(680)	Heating				10.9	
		Low		341(580)	Starting Current			3.3		
		Quiet		224(380)	MCA			14.4		
Outdoor Unit Airflow Rate		Cooling	989 (1,680)	Maximum Circuit Breaker			15			
		Heating	1,082 (1,840)	Input Power	Cooling	Rated	kW	0.5		
SOUND PRESSURE		High	42		Heating	Min.-Max.		0.85		
Indoor Unit	Cooling	Medium	37	Power Factor				Cooling	87	
		Low	32	Heating				87		
		Quiet	23	OTHER						
		High	41	Moisture Removal			pints/h (L/h)	1.2(2.6)		
	Heating	Medium	dB (A)	35	Energy Star			Yes		
		Low		31	Drain hose			Material	PP+LLDP	
		Quiet		23	Size			in (mm)	Ø 9/16 (Ø 13.8) (I.D.) Ø 5/8 to Ø 11/16 (Ø 15.8 to Ø 16.7) (O.D.)	
		High		42	Operation Range			Cooling	°F (°C)	64 to 90 (18 to 32)
Outdoor Unit		Cooling	42	Heating			%RH	80 or less		
		Heating	47	°F (°C)			60 to 88 (16 to 30)			
REFRIGERANT				Type	R410A					
Charge	lb oz	2lb 14oz								
	kg	1,300								
Oil Type		POE (RB68)								

Wall Bracket Data:



The Fujitsu logo is a worldwide trademark of Fujitsu General Limited. The Halcyon logo and name is a worldwide trademark of Fujitsu General Limited and is a registered trademark in Japan, the USA and other countries or areas. Copyright 2018 Fujitsu General America, Inc. Fujitsu's products are subject to continuous improvements. Fujitsu reserves the right to modify product design, specifications and information in this brochure without notice and without incurring any obligations.

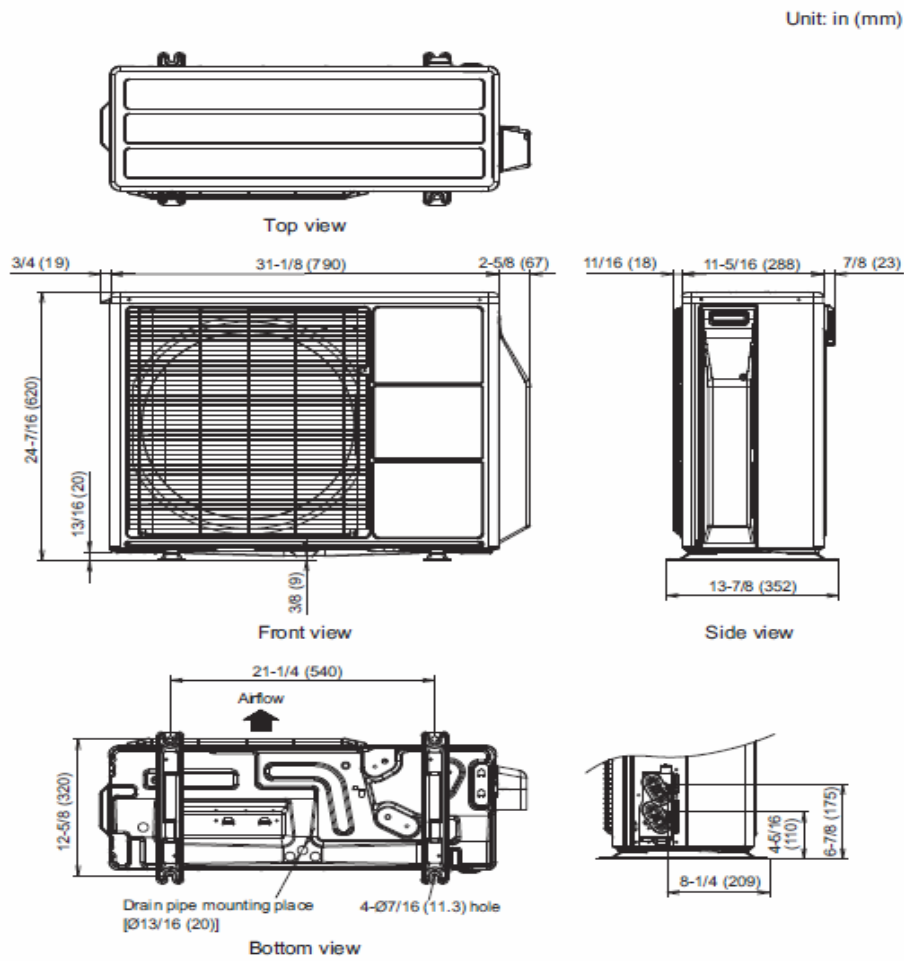
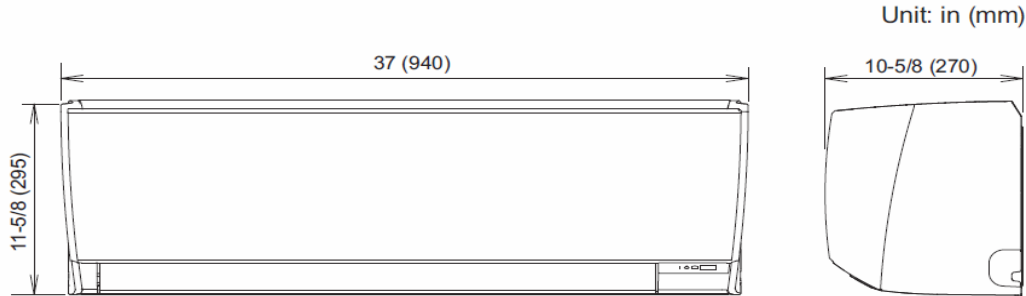
Note: Specifications are based on the following conditions:
 Cooling: Indoor temperature of 80°F (26.7°C) DB/67°F (19.4°C) WB, and outdoor temperature of 95°F (35°C) DB/75°F (23.9°C) WB. Heating: Indoor temperature of 70°F (21.1°C) DB/60°F (15.6°C) WB, and outdoor temperature of 47°F (8.3°C) DB/43°F (6.1°C) WB. Pipe length: 25ft. (7.5m), Height difference: 0ft. (0m) (Outdoor unit - indoor unit).

Inverter Driven Heat Pump

9,000 BTU Single Zone High SEER Wall Mounted System

DIMENSIONS

Units: In. (mm)



The Fujitsu logo is a worldwide trademark of Fujitsu General Limited. The Halcyon logo and name is a worldwide trademark of Fujitsu General Limited and is a registered trademark in Japan, the USA and other countries or areas. Copyright 2018 Fujitsu General America, Inc. Fujitsu's products are subject to continuous improvements. Fujitsu reserves the right to modify product design, specifications and information in this brochure without notice and without incurring any obligations.

Note: Specifications are based on the following conditions:
 Cooling: Indoor temperature of 80°F (26.7°C) DB/67°F (19.4°C) WB, and outdoor temperature of 95°F (35°C) DB/75°F (23.9°C) WB. Heating: Indoor temperature of 70°F (21.1°C) DB/60°F (15.6°C) WB, and outdoor temperature of 47°F (8.3°C) DB/43°F (6.1°C) WB. Pipe length: 25ft. (7.5m), Height difference: 0ft. (0m) (Outdoor unit - indoor unit).