

**Inverter Driven Heat Pump**

**9,000 BTU Single Zone Compact Wall Mounted**

Job Name \_\_\_\_\_  
 Location \_\_\_\_\_  
 Engineer \_\_\_\_\_  
 Submitted To \_\_\_\_\_  
 Submitted By \_\_\_\_\_  
 Reference \_\_\_\_\_

Date \_\_\_\_\_  
 Approval \_\_\_\_\_  
 Construction \_\_\_\_\_  
 Unit No \_\_\_\_\_  
 Drawing No \_\_\_\_\_

**PRODUCT FEATURES**

- Auto Changeover
- 24 hr. Timer
- Auto Louver: Up/Down
- Minimum Heat Mode
- Wireless Remote control
- Auto Restart
- Economy Mode
- Auto Fan Mode



**MODEL NUMBERS**

Indoor Unit	ASU9RLF1
Outdoor Unit	AOU9RLFW1
System	9RLFW1

**EFFICIENCIES**

SEER	23.0
EER	13.8
HSPF	11.0
COP	3.95
	13.5

**OUTDOOR TEMPERATURE OPERATION RANGE**

Cooling	*F(*C)	14 to 115(-10 to 46)
Heating		5 to 75(-15to 24)

**CAPACITIES**

Cooling	Rated	BTU/hw	9,000
	Min.-Max.		1700-10900
Heating	Rated		12,000
	Min.-Max.		1700-15000

**LINESET REQUIREMENTS**

Connection Method	Flare		
Liquid	in (mm)	Ø1/4(Ø6.35)	
Gas		Ø3/8(Ø9.52)	
Pre-Charge Length		49 (15)	
Minimum Length	ft (m)	10 (3)	
Maximum Length		66 (20)	
Max. Height Diff.		49 (15)	

**INDOOR DIMENSIONS & WEIGHT**

Net (H x W x D)	in	268 x 840 x 203
	mm	10-9/16 x 33-1/16 x 8
Gross (H x W x D)	in	270 x 884 x 336
	mm	10-5/8 x 34-13/16 x 13-1/4
Net Weight	lb (kg)	19(8.5)
Gross Weight		24(10.5)

**OUTDOOR DIMENSIONS & WEIGHT**

Net (H x W x D)	in	21-1/4x26x11-7/16
	mm	540x660x290
Gross (H x W x D)	in	24-1/16x31-3/8x15-13/16
	mm	611x797x401
Net Weight	lb (kg)	60(27)
Gross Weight		67(30)

**Warranty Information**



7 Year Compressor, 5 Year Parts out-of-the-box Warranty



10 Year Compressor, 10 Year Parts Warranty when registered within 60 days of installation in a residence



12 Year Compressor, 12 Year Parts Warranty when registered within 60 days of installation in a residence, and installed by a Fujitsu Elite contractor

**ACCESSORIES**

UTY-TTRX	3rd Party Thermostat Converter
UTY-XCBXZ2	Interface Kit
UTY-RNNUM	Wired Remote
UTY-RVNUM	Wired Remote w/backlight
UTY-RSNUM	Simple Remote
UTY-XWZXZ5	Dry Contact Wire Kit
FJ-RC-WIFI-1NA	Intesis Wired WiFi Module
FJ-IR-WIFI-1NA	Intesis IR WiFi Module



This system combination is Energy Star qualified



Indoor Unit ETL#: 3170288  
 Outdoor Unit ETL#: 91987

Due to continuous product improvements, specifications are subject to change without notice. Please log in to the Fujitsu Portal for the most up-to-date documentation <https://portal.fujitsugeneral.com>

**Inverter Driven Heat Pump 9,000 BTU Single Zone Compact Wall Mounted**

**FAN DATA**

Indoor Unit Airflow Rate	Cooling	High	CFM (m3/h)	441 (750)
		Medium		376 (640)
		Low		282 (480)
		Quiet		182 (310)
	Heating	High		441 (750)
		Medium		376 (640)
		Low		306 (520)
		Quiet		194 (330)
Outdoor Unit Airflow Rate	Cooling			995 (1690)
	Heating			906 (1540)

**SOUND PRESSURE**

Indoor Unit	Cooling	High	dB (A)	43
		Medium		40
		Low		32
		Quiet		21
	Heating	High		43
		Medium		38
		Low		33
		Quiet		22
Outdoor Unit	Cooling			48
	Heating			48

**REFRIGERANT**

Type	R410A		
Charge	lb oz	1lb.14oz.	
	kg	1	
Oil Type	POE (RB68)		

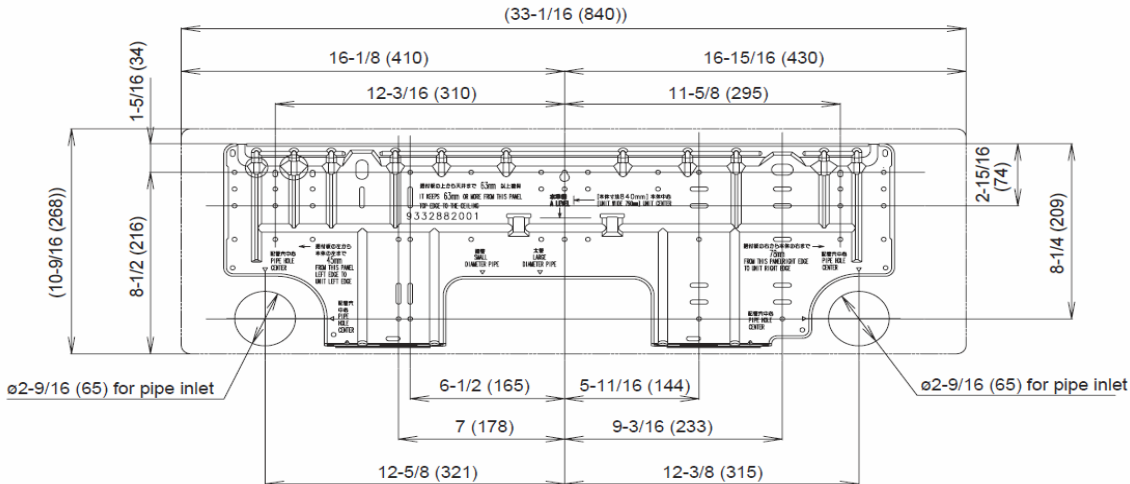
**ELECTRICAL SPECIFICATIONS**

Voltage/Frequency/Phase			208/230V~60HZ	
Voltage Range			187-253V~60HZ	
Current	Cooling	Rated	A	3.2
	Heating	Rated		4.2
Maximum Operating Current		Cooling		6
	Heating	7.5		
Starting Current			4.2	
MCA			10	
Maximum Circuit Breaker			15	
Input Power	Cooling	Rated	kW	0.65
		Min.-Max.		0.25 - 1.27
Heating	Rated	0.89		
	Min.-Max.	0.25 - 1.60		
Power Factor	Cooling		%	88
	Heating			92

**OTHER**

Moisture Removal	pints/h (L/h)	1.3(2.75)
Energy Star		YES
Drain hose	Material	PP+LLDP
Size	in (mm)	Ø 9/16 (Ø 13.8) (I.D.) Ø 5/8 to Ø 11/16 (Ø 15.8 to Ø 16.7) (O.D.)
	Operation Range	
Cooling	°F (°C)	64 to 90 (18 to 32)
	%RH	80 or less
	Heating	°F (°C)

**Wall Bracket Data:**



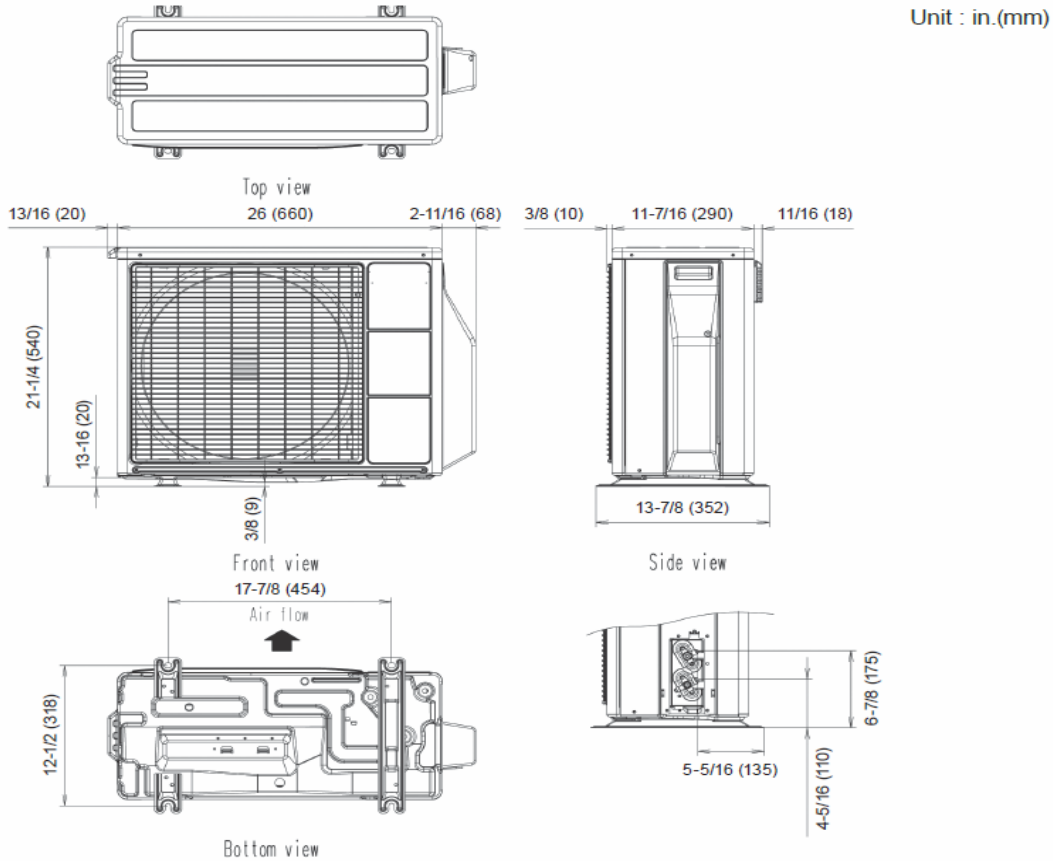
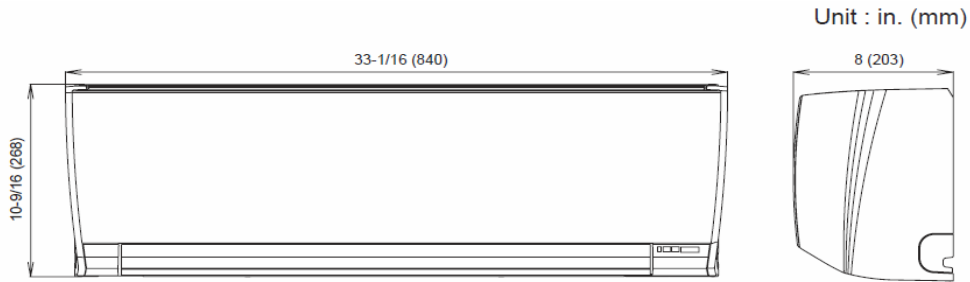
The Fujitsu logo is a worldwide trademark of Fujitsu General Limited. The Halcyon logo and name is a worldwide trademark of Fujitsu General Limited and is a registered trademark in Japan, the USA and other countries or areas. Copyright 2018 Fujitsu General America, Inc. Fujitsu's products are subject to continuous improvements. Fujitsu reserves the right to modify product design, specifications and information in this brochure without notice and without incurring any obligations.

Note: Specifications are based on the following conditions:  
 Cooling: Indoor temperature of 80°F (26.7°C) DB/67°F (19.4°C) WB, and outdoor temperature of 95°F (35°C) DB/75°F (23.9°C) WB. Heating: Indoor temperature of 70°F (21.1°C) DB/60°F (15.6°C) WB, and outdoor temperature of 47°F (8.3°C) DB/43°F (6.1°C) WB. Pipe length: 25ft. (7.5m), Height difference: 0ft. (0m) (Outdoor unit - indoor unit).

Inverter Driven Heat Pump 9,000 BTU Single Zone Compact Wall Mounted

DIMENSIONS

Units: In. (mm)



The Fujitsu logo is a worldwide trademark of Fujitsu General Limited. The Halcyon logo and name is a worldwide trademark of Fujitsu General Limited and is a registered trademark in Japan, the USA and other countries or areas. Copyright 2018 Fujitsu General America, Inc. Fujitsu's products are subject to continuous improvements. Fujitsu reserves the right to modify product design, specifications and information in this brochure without notice and without incurring any obligations.

Note: Specifications are based on the following conditions:  
 Cooling: Indoor temperature of 80°F (26.7°C) DB/67°F (19.4°C) WB, and outdoor temperature of 95°F (35°C) DB/75°F (23.9°C) WB. Heating: Indoor temperature of 70°F (21.1°C) DB/60°F (15.6°C) WB, and outdoor temperature of 47°F (8.3°C) DB/43°F (6.1°C) WB. Pipe length: 25ft. (7.5m), Height difference: 0ft. (0m) (Outdoor unit - indoor unit).