

**Inverter Driven Heat Pump**

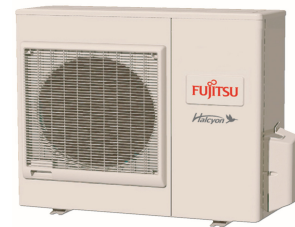
**36K BTU Single Zone Wall Mounted System**

Job Name \_\_\_\_\_  
 Location \_\_\_\_\_  
 Engineer \_\_\_\_\_  
 Submitted To \_\_\_\_\_  
 Submitted By \_\_\_\_\_  
 Reference \_\_\_\_\_

Date \_\_\_\_\_  
 Approval \_\_\_\_\_  
 Construction \_\_\_\_\_  
 Unit No \_\_\_\_\_  
 Drawing No \_\_\_\_\_

**PRODUCT FEATURES**

- Auto Changeover
- 24 Hour Timer
- Auto Louver: 4 way
- Minimum Heat Mode
- Quiet Mode
- Auto Restart
- Economy Mode
- Auto Fan



MODEL NUMBERS	
Indoor Unit	ASU36RLXB
Outdoor Unit	AOU36RLXB
System	36RLXB

EFFICIENCIES	
SEER	15.5
EER	8.5
HSPF	9
COP	10

OUTDOOR TEMPERATURE OPERATION RANGE		
Cooling	*F(°C)	14 to 115 (-10 to 46)
Heating		5 to 75 (-15 to 24)

CAPACITIES			
Cooling	Rated	BTU/hw	33,000
	Min.-Max.		9900-34100
Heating	Rated		34,000
	Min.-Max.		10200-35000

LINESET REQUIREMENTS			
Connection Method			Flare
Liquid	in (mm)	Ø 3/8 (Ø 9.52)	
		Ø 5/8 (Ø 15.88)	
Pre-Charge Length	ft (m)	49 (15)	
Minimum Length		10 (3)	
Maximum Length		164 (50)	
Max. Height Diff.		49 (15)	

INDOOR DIMENSIONS & WEIGHT			
Net (H x W x D)	in	320 x 998 x 228	
	mm	12-10/16 x 39-5/16 x 9	
Gross (H x W x D)	in	319 x 1090 x 429	
	mm	12-9/16 x 42-15/16 x 16-14/16	
Net Weight	lb (kg)	31 (14)	
Gross Weight		40 (18)	

OUTDOOR DIMENSIONS & WEIGHT			
Net (H x W x D)	in	32-11/16 x 35-7/16 x 13	
	mm	830 xx 900 x 330	
Gross (H x W x D)	in	38-3/16 x 41-5/16 x 17-8/16	
	mm	970 x 1050 x 445	
Net Weight	lb (kg)	134 (61)	
Gross Weight		150 (68)	

**Warranty Information**



7 Year Compressor, 5 Year Parts out-of-the-box Warranty



10 Year Compressor, 10 Year Parts Warranty when registered within 30 days of installation in a residence



12 Year Compressor, 12 Year Parts Warranty when registered within 30 days of installation in a residence, and installed by a Fujitsu Elite contractor

**ACCESSORIES**

UTY-TTRX	3rd Party Thermostate Converter
FJ-IR-WIFI-1NA	Intesis WiFi IR Modile
FJ-RC-WIFI-1NA	Intesis WiFi Wired Module
UTY-TFNXZ2	WiFi Interface Module
UTY-RNNUM	Wired Remote
UTY-RVNUM	Wired Remote w/backlight
UTY-RSNUM	Simple Remote
UTY-XWZX	Dry Contact Wire Kit



Indoor Unit ETL#: 3170288  
 Outdoor Unit ETL#: 91987

Due to continuous product improvements, specifications are subject to change without notice. Please log in to the Fujitsu Portal for the most up-to-date documentation <https://portal.fujitsugeneral.com>

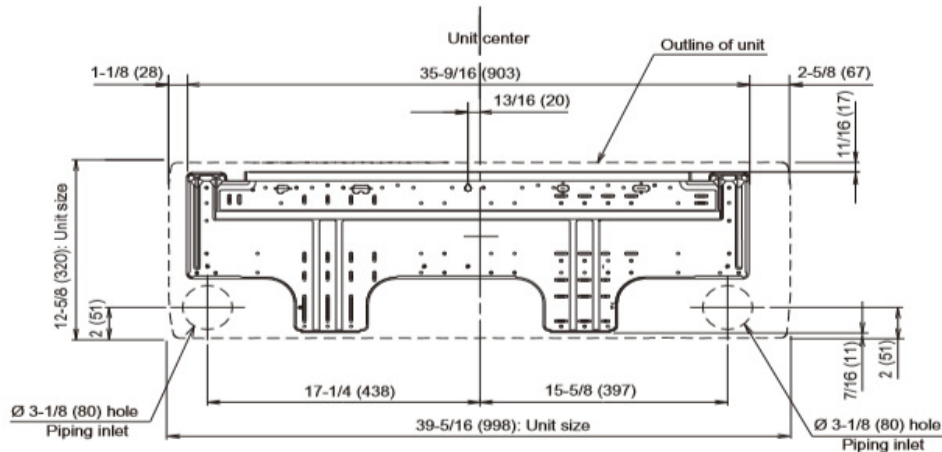
**Inverter Driven Heat Pump**

**36K BTU Single Zone Wall Mounted System**

FAN DATA			
Indoor Unit Airflow Rate	Cooling	High	694 (1180)
		Medium	530 (900)
		Low	435 (740)
		Quiet	365 (620)
	Heating	High	694 (1180)
		Medium	530 (900)
		Low	435 (740)
		Quiet	365 (620)
Outdoor Unit Airflow Rate	Cooling	2,119 (3,600)	
	Heating	2,119 (3,600)	
SOUND PRESSURE			
Indoor Unit	Cooling	High	50
		Medium	42
		Low	37
		Quiet	32
	Heating	High	50
		Medium	42
		Low	37
		Quiet	33
Outdoor Unit	Cooling	52	
	Heating	55	
REFRIGERANT			
Type	R410A		
Charge	lb oz	4lbs. 10.1oz.	
	kg	2	
Oil Type	POE (RB68)		

ELECTRICAL SPECIFICATIONS			
Voltage/Frequency/Phase		208/230V ~ 60Hz	
Voltage Range		187-253V	
Current	Cooling	Rated	17
	Heating	Rated	14.8
Maximum Operating Current	Cooling	A	18
	Heating	A	18.8
Starting Current		17	
MCA		23.3	
Maximum Circuit Breaker		30	
Input Power	Cooling	Rated	3.88
		Min.-Max.	4.01
Input Power	Heating	Rated	3.39
		Min.-Max.	3.5
Power Factor	Cooling	%	99
	Heating	%	99
OTHER			
Moisture Removal		pints/h (L/h)	4.8(10.1)
Energy Star		No	
Drain hose	Material	PVC	
	Size	in (mm)	Ø 15/32 (12) (I.D.), 5/8(16)
Operation Range	Cooling	°F (°C)	64 to 90 (18 to 32)
	Heating	%RH	80 or less
Operation Range	Heating	°F (°C)	88 (30) or less

**Wall Bracket Data:**



The Fujitsu logo is a worldwide trademark of Fujitsu General Limited. The Halcyon logo and name is a worldwide trademark of Fujitsu General America, Inc. Fujitsu's products are subject to continuous improvements. Fujitsu reserves the right to modify product design, specifications and information in this brochure without notice and without incurring any obligations.

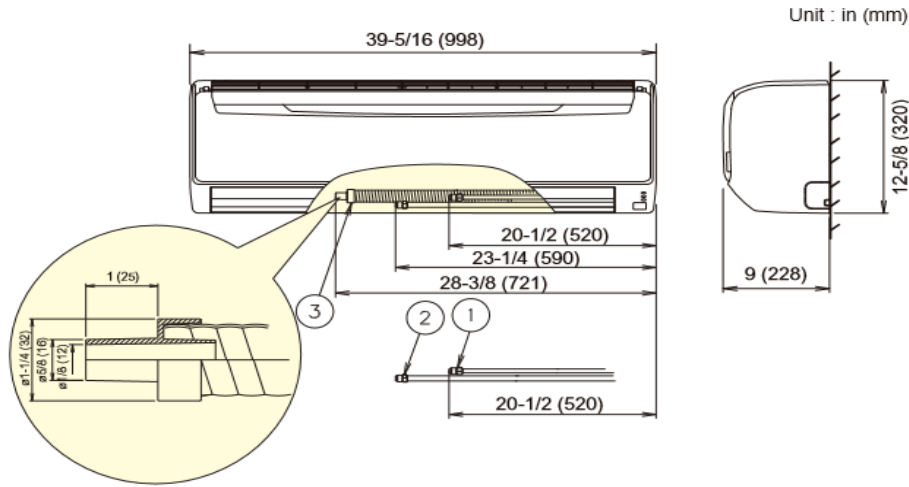
Note: Specifications are based on the following conditions:  
 Cooling: Indoor temperature of 80°F (26.7°C) DB/67°F (19.4°C) WB, and outdoor temperature of 95°F (35°C) DB/75°F (23.9°C) WB. Heating: Indoor temperature of 70°F (21.1°C) DB/60°F (15.6°C) WB, and outdoor temperature of 47°F (8.3°C) DB/43°F (6.1°C) WB. Pipe length: 25ft. (7.5m), Height difference: 0ft. (0m) (Outdoor unit - indoor unit).

Inverter Driven Heat Pump

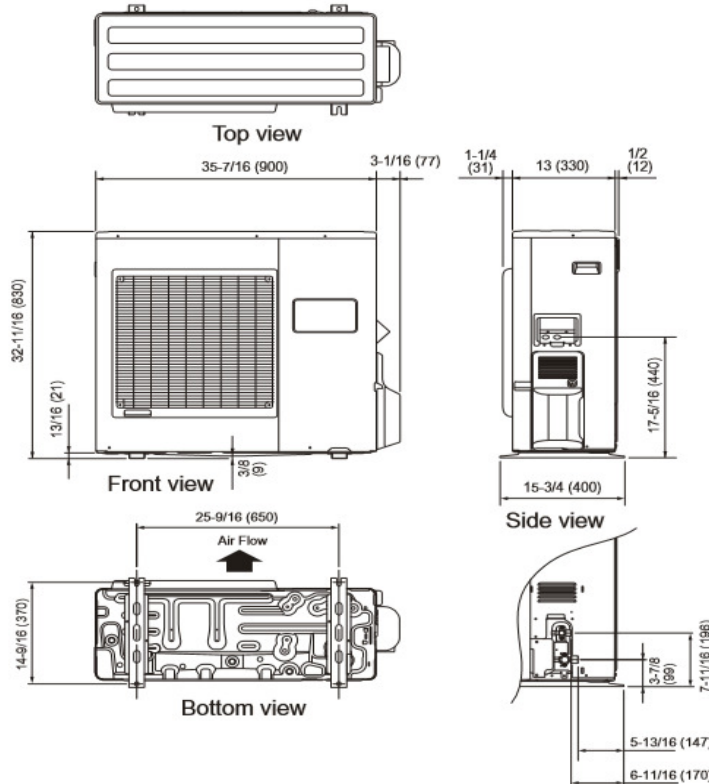
36K BTU Single Zone Wall Mounted System

DIMENSIONS

Units: In. (mm)



Unit : in. (mm)



The Fujitsu logo is a worldwide trademark of Fujitsu General Limited. The Halcyon logo and name is a worldwide trademark of Fujitsu General Limited and is a registered trademark in Japan, the USA and other countries or areas. Copyright 2018 Fujitsu General America, Inc. Fujitsu's products are subject to continuous improvements. Fujitsu reserves the right to modify product design, specifications and information in this brochure without notice and without incurring any obligations.

Note: Specifications are based on the following conditions:  
 Cooling: Indoor temperature of 80°F (26.7°C) DB/67°F (19.4°C) WB, and outdoor temperature of 95°F (35°C) DB/75°F (23.9°C) WB. Heating: Indoor temperature of 70°F (21.1°C) DB/60°F (15.6°C) WB, and outdoor temperature of 47°F (8.3°C) DB/43°F (6.1°C) WB. Pipe length: 25ft. (7.5m), Height difference: 0ft. (0m) (Outdoor unit - indoor unit).