

**Inverter Driven Heat Pump** **24K BTU Single Zone Wall Mounted System**

Job Name \_\_\_\_\_  
 Location \_\_\_\_\_  
 Engineer \_\_\_\_\_  
 Submitted To \_\_\_\_\_  
 Submitted By \_\_\_\_\_  
 Reference \_\_\_\_\_

Date \_\_\_\_\_  
 Approval \_\_\_\_\_  
 Construction \_\_\_\_\_  
 Unit No \_\_\_\_\_  
 Drawing No \_\_\_\_\_

**PRODUCT FEATURES**

- Auto Changeover
- 24 Hour Timer
- Auto Louver: 4 way
- Minimum Heat Mode
- Quiet Mode
- Auto Restart
- Economy Mode
- Auto Fan



**MODEL NUMBERS**

Indoor Unit	ASU24RLB
Outdoor Unit	AOJ24RLB
System	24RLB

**EFFICIENCIES**

SEER	18
EER	10
HSPF	10.6
COP	12.5

**OUTDOOR TEMPERATURE OPERATION RANGE**

Cooling	*F(°C)	14 to 115 (-10 to 46)
Heating		5 to 75 (-15 to 24)

**CAPACITIES**

		BTU/hw		
Cooling	Rated		24,000	
	Min.-Max.		3100 - 25000	
Heating	Rated		24,000	
	Min.-Max.		7500-27000	

**LINESET REQUIREMENTS**

Connection Method		Flare
Liquid	in (mm)	Ø 1/4 (Ø 6.35)
		Ø 1/2 (Ø 12.70)
Pre-Charge Length	ft (m)	49 (15)
Minimum Length		10 (3)
Maximum Length		66 (20)
Max. Height Diff.		49 (15)

**INDOOR DIMENSIONS & WEIGHT**

Net (H x W x D)	in	320 x 998 x 228
	mm	12-10/16 x 39-5/16 x 9
Gross (H x W x D)	in	319 x 1090 x 429
	mm	12-9/16 x 42-15/16 x 16-14/16
Net Weight	lb (kg)	31 (14)
Gross Weight		40 (18)

**OUTDOOR DIMENSIONS & WEIGHT**

Net (H x W x D)	in	24 - 7/16 x 31 - 2/16 x 11 - 7/16
	mm	620 x 790 x 290
Gross (H x W x D)	in	28 - 1/16 x 37-3/16 x 15 - 9/16
	mm	713 x 945 x 395
Net Weight	lb (kg)	86 (39)
Gross Weight		93 (42)

**Warranty Information**



7 Year Compressor, 5 Year Parts out-of-the-box Warranty



10 Year Compressor, 10 Year Parts Warranty when registered within 30 days of installation in a residence



12 Year Compressor, 12 Year Parts Warranty when registered within 30 days of installation in a residence, and installed by a Fujitsu Elite contractor

**ACCESSORIES**

UTY-TTRX	3rd Party Thermostat Converter
FJ-IR-WIFI-1NA	Intesis WiFi IR Module
FJ-RC-WIFI-1NA	Intesis WiFi Wired Module
UTY-TFNXZ2	WiFi Interface Module
UTY-RNNUM	Wired Remote
UTY-RVNUM	Wired Remote w/backlight
UTY-RSNUM	Simple Remote
UTY-XWZX	Dry Contact Wire Kit



Indoor Unit ETL#: 3170288  
 Outdoor Unit ETL#: 91987

Due to continuous product improvements, specifications are subject to change without notice. Please log in to the Fujitsu Portal for the most up-to-date documentation <https://portal.fujitsugeneral.com>

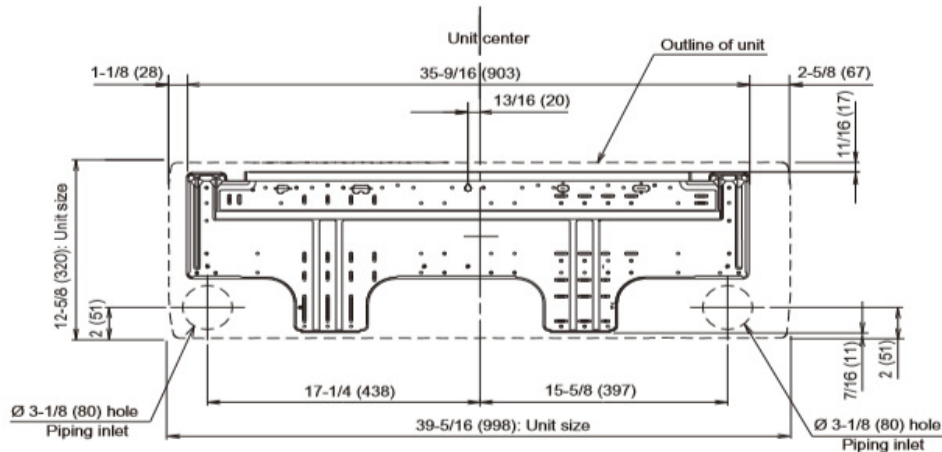
**Inverter Driven Heat Pump**

**24K BTU Single Zone Wall Mounted System**

FAN DATA				
Indoor Unit Airflow Rate	Cooling	High	CFM (m3/h)	659 (1120)
		Medium		530 (900)
		Low		435 (740)
		Quiet		365 (620)
	Heating	High		647 (1100)
		Medium		530 (900)
		Low		435 (740)
		Quiet		365 (620)
Outdoor Unit Airflow Rate	Cooling		1,457 (2,475)	
	Heating		1,407 (2,355)	
SOUND PRESSURE				
Indoor Unit	Cooling	High	dB (A)	47
		Medium		41
		Low		35
		Quiet		31
	Heating	High		47
		Medium		42
		Low		36
		Quiet		33
Outdoor Unit	Cooling		54	
	Heating		50	
REFRIGERANT				
Type				R410A
Charge	lb oz			3lbs. 1oz
	kg			1
Oil Type				POE (RB68)

ELECTRICAL SPECIFICATIONS				
Voltage/Frequency/Phase			208/230V ~ 60Hz	
Voltage Range			187-253V	
Current	Cooling	Rated	A	10.5
	Heating	Rated		8.5
Maximum Operating Current	Cooling			11.8
	Heating			13.8
Starting Current			10.5	
MCA			17.1	
Maximum Circuit Breaker			20	
Input Power	Cooling	Rated	kW	2.4
		Min.-Max.		2.5
Heating	Rated	1.925		
	Min.-Max.	2.54		
Power Factor	Cooling		%	99
	Heating			98
OTHER				
Moisture Removal		pints/h (L/h)		3(6.3)
Energy Star				No
Drain hose	Material		PVC	
	Size	in (mm)	Ø 15/32 (12) (I.D.), 5/8(16)	
Operation Range	Cooling	°F (°C)	64 to 90 (18 to 32)	
		%RH	80 or less	
Heating	°F (°C)	88 (30) or less		

**Wall Bracket Data:**



The Fujitsu logo is a worldwide trademark of Fujitsu General Limited. The Halcyon logo and name is a worldwide trademark of Fujitsu General America, Inc. Fujitsu's products are subject to continuous improvements. Fujitsu reserves the right to modify product design, specifications and information in this brochure without notice and without incurring any obligations.

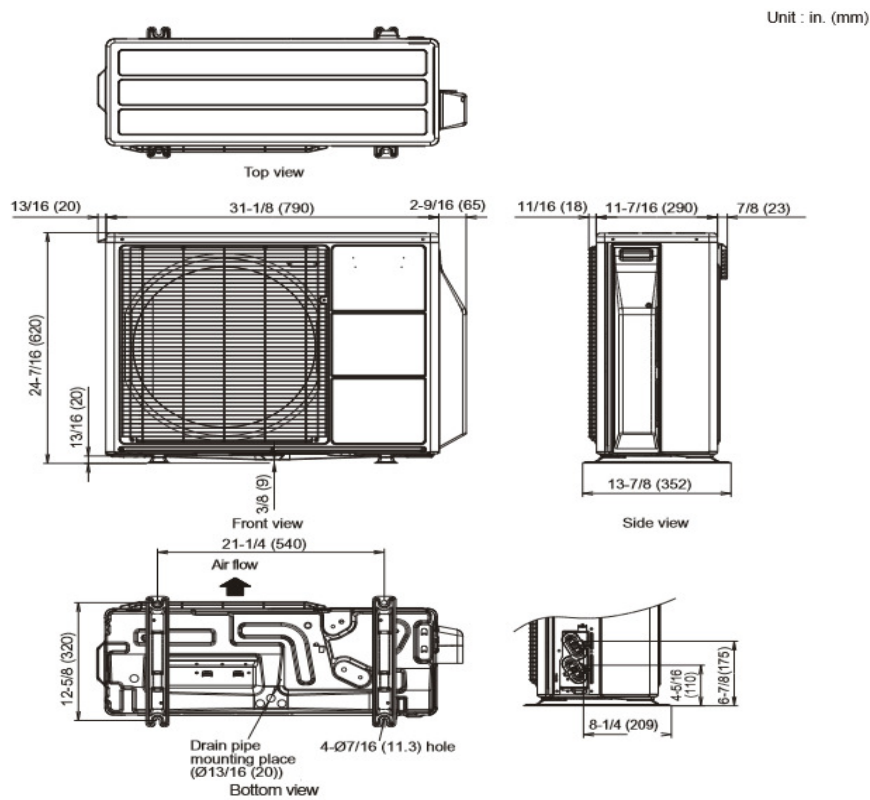
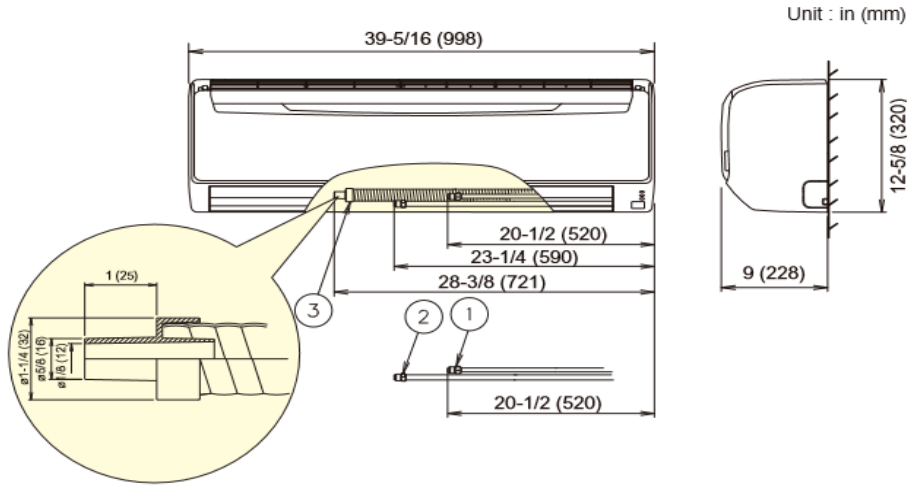
Note: Specifications are based on the following conditions:  
 Cooling: Indoor temperature of 80°F (26.7°C) DB/67°F (19.4°C) WB, and outdoor temperature of 95°F (35°C) DB/75°F (23.9°C) WB. Heating: Indoor temperature of 70°F (21.1°C) DB/60°F (15.6°C) WB, and outdoor temperature of 47°F (8.3°C) DB/43°F (6.1°C) WB. Pipe length: 25ft. (7.5m), Height difference: 0ft. (0m) (Outdoor unit - indoor unit).

Inverter Driven Heat Pump

24K BTU Single Zone Wall Mounted System

DIMENSIONS

Units: In. (mm)



The Fujitsu logo is a worldwide trademark of Fujitsu General Limited. The Halcyon logo and name is a worldwide trademark of Fujitsu General Limited and is a registered trademark in Japan, the USA and other countries or areas. Copyright 2018 Fujitsu General America, Inc. Fujitsu's products are subject to continuous improvements. Fujitsu reserves the right to modify product design, specifications and information in this brochure without notice and without incurring any obligations.

Note: Specifications are based on the following conditions:  
 Cooling: Indoor temperature of 80°F (26.7°C) DB/67°F (19.4°C) WB, and outdoor temperature of 95°F (35°C) DB/75°F (23.9°C) WB. Heating: Indoor temperature of 70°F (21.1°C) DB/60°F (15.6°C) WB, and outdoor temperature of 47°F (8.3°C) DB/43°F (6.1°C) WB. Pipe length: 25ft. (7.5m), Height difference: 0ft. (0m) (Outdoor unit - indoor unit).