



Submittal Form: 1PAMSHH09-25

9,000 BTU Hyper Heat System

HYPER-HEAT MINI-SPLIT SUBMITTAL SHEET

Project Name:	
Location:	
Engineer:	
Submitted To:	
Submitted By:	
Reference:	

Approval:	
Date:	
Construction:	
Unit #:	
Drawing #:	

MODEL #	
INDOOR:	1PAMSHH09-SZW-25
OUTDOOR:	1PAMSHH09-SZO-25



ELECTRICAL

Power Supply	Ph-V-Hz	208-230V~ 60Hz, 1Ph
Minimum Circuit Ampacity	A	9
Maximum Fuse Size	A	15

COOLING

Capacity:Rated(Min-Max)	Btu/h	9000(3500-13000)
Input	W	620
Rated Current	A	2.7
EER	Btu/w	14.5
SEER	Btu/w	25.0

HEATING

Capacity:Rated(Min-Max)	Btu/h	10900(4500-14500)
Input	W	835
Rated Current	A	3.6
COP	W/W	3.83
HSPF4 / HSPF5	W/W	11.20 / 9.00
Low Temperature Heating Capacity (5° F)	Btu/h	11500

COMPRESSOR

Model		ATM115D43UFZ2
Type		ROTARY
Brand		GMCC
Capacity	Btu/h	11594
Input	W	858
Rated Current (RLA)	A	5.25
Refrigerant Oil/Charge	ml	ESTER OIL VG74 / 500

SYSTEM DATA

Design Pressure	PSIG	550/340PSIG
Refrigerant	oz	R410A/52.9
Refrigerant Precharge	ft	25
Additional Charge Per ft.	oz	0.161
Liquid	in	Φ1/4"
Gas	in	Φ3/8"
Max. Refrigerant Pipe Length	ft.	82
Max Difference In Level	ft.	33

INDOOR UNIT DATA

Model		ZKFP-20-8-6-7
Brand		Welling
Input	W	50
RLA	A	0.06
Speed(H/M/L)	r/min	1170/900/700
Indoor Air Flow (H/M/L)	CFM	418/324/247
Indoor Noise Level (H/M/L)	dB(A)	42/33/24.5

INDOOR UNIT DIMENSIONS

Dimension(WxDxH)	inch	32.87x7.80x11.02
Packaging(WxDxH)	inch	35.83x10.63x13.98
Net/Gross Weight	lbs.	19.84/25.35

OUTDOOR UNIT DATA

Model		ZKFN-40-8-1L
Brand		Welling
Input	W	63
RLA	A	0.38
Speed(H/M/L)	r/min	810/700/450
Outdoor Air Flow	CFM	1120
Outdoor Noise Level	dB(A)	55.5

OUTDOOR UNIT DIMENSIONS

Dimension(WxDxH)	inch	31.50x13.11x21.81
Packaging(WxDxH)	inch	36.22x15.35x24.21
Net/Gross Weight	lbs.	88.2/93.7

OPERATION TEMPERATURE

Indoor(Cooling/Heating)	Deg. F	62~90/32~86
Outdoor(Cooling/Heating)	Deg. F	-22~122/-22~86

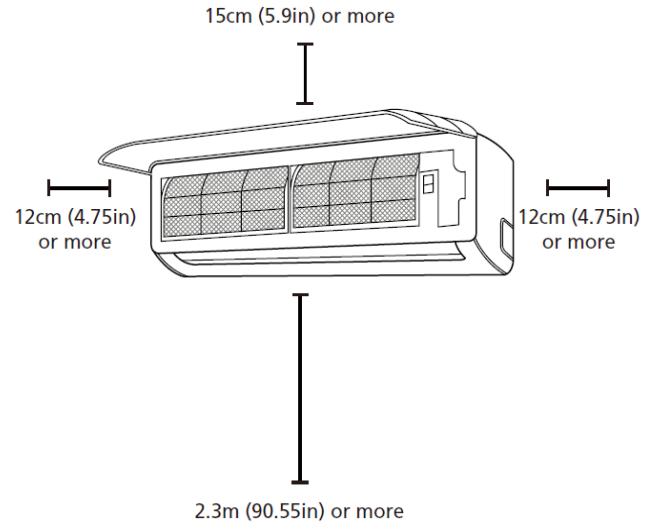
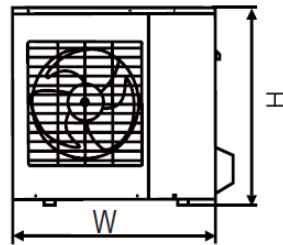
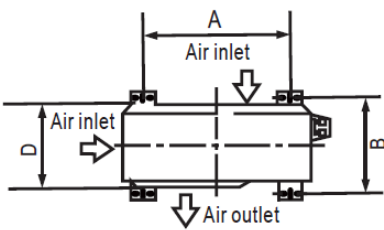
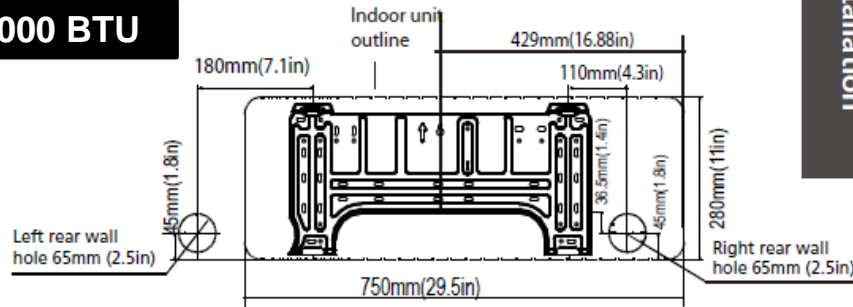


SUBMITTAL DATA: 1PAMSHH09-25
Indoor Model Number: 1PAMSHH09-SZW-25
Outdoor Model Number: 1PAMSHH09-SZO-25

9,000 BTU Hyper Heat System

9,000 BTU

Indoor Unit Installation



Outdoor Unit Dimensions(WxHxD)	Mounting Dimensions	
	A	B
inches	in.	in.
26.8x17x11.2	18.1	11.49
27.5x21.6x10.62	17.7	10.24
30.7x21.25x9.85	21.6	10.85
33.25x27.5x12.6	22	13.2
31.9x22x12.2	21.6	12.8
27.5x21.6x10.82	17.7	10.24
30.3x21.85x11.81	19.2	11.73
31.5x21.8x13.1	20.24	13.39
33.25x27.63x14.29	21.26	13.8
35.4x33.85x12.4	23.2	13.1
37.2x31.9x15.55	25.2	15.95
37.21x31.9x16.53	26.5	15.87
37.21x31.9x16.14	26.5	15.87

